



US00D463593S

(12) **United States Design Patent**
Galli

(10) **Patent No.:** **US D463,593 S**

(45) **Date of Patent:** **** Sep. 24, 2002**

(54) **FLASHLIGHT**

(76) **Inventor:** **Robert D. Galli**, 8176 Horseshoe Bend
La., Las Vegas, NV (US) 89113

(**) **Term:** **14 Years**

(21) **Appl. No.:** **29/145,056**

(22) **Filed:** **Jul. 13, 2001**

(51) **LOC (7) Cl.** **26-02**

(52) **U.S. Cl.** **D26/49**

(58) **Field of Search** D26/37-50; 362/157,
362/158, 171, 172, 173, 181-208

(56) **References Cited**

U.S. PATENT DOCUMENTS

D447,259 S * 8/2001 Lynch et al. D26/49
D455,513 S * 4/2002 Galli D26/49

* cited by examiner

Primary Examiner—Marcus A. Jackson

(74) *Attorney, Agent, or Firm*—Barlow, Josephs & Holmes

(57) **CLAIM**

The ornamental design for a flashlight, as shown and described.

DESCRIPTION

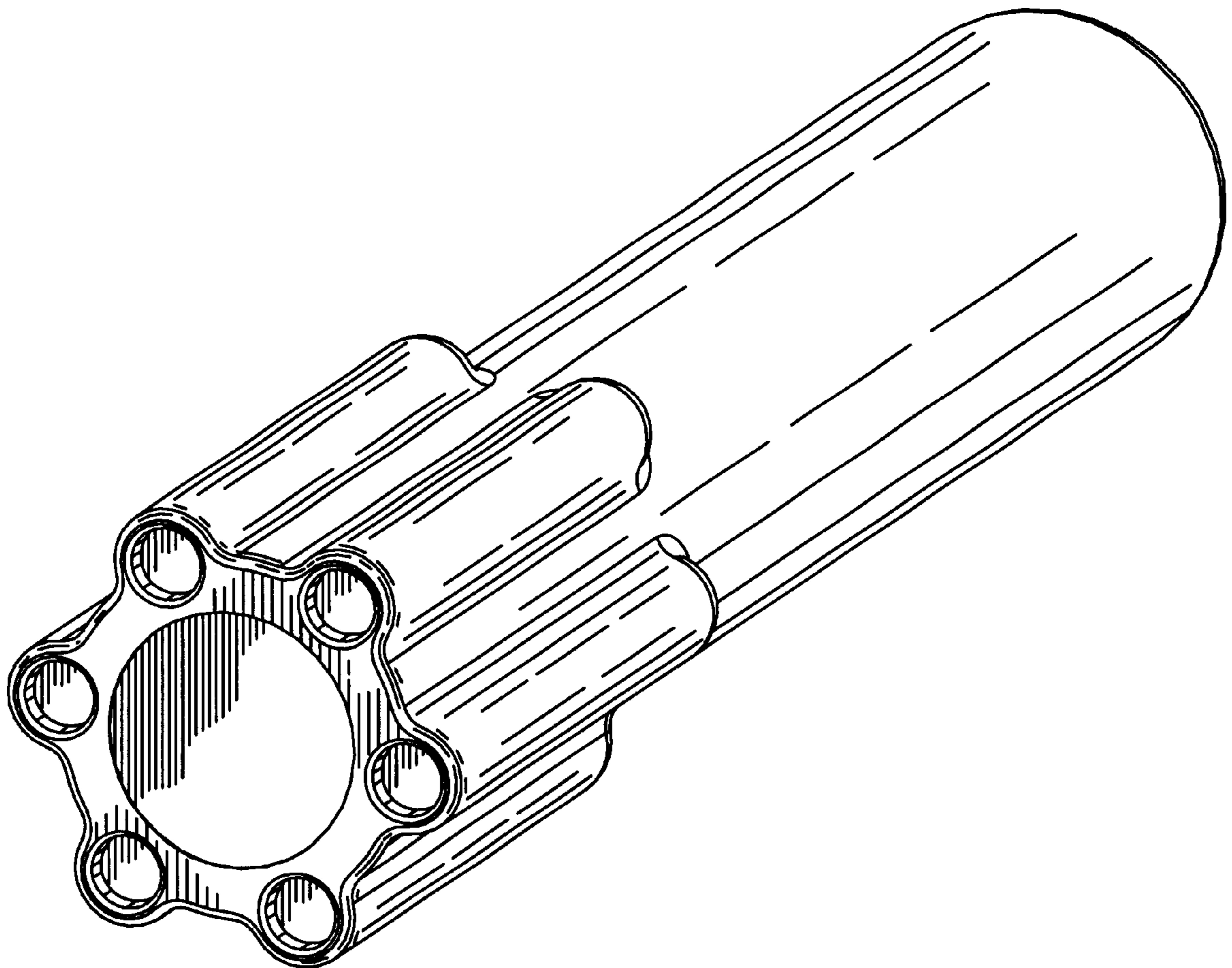
FIG. 1 is a perspective view showing my new design for a flashlight;

FIG. 2 is a side view thereof, all sides thereof being identical;

FIG. 3 is a rear view thereof; and,

FIG. 4 is a front view thereof.

1 Claim, 2 Drawing Sheets



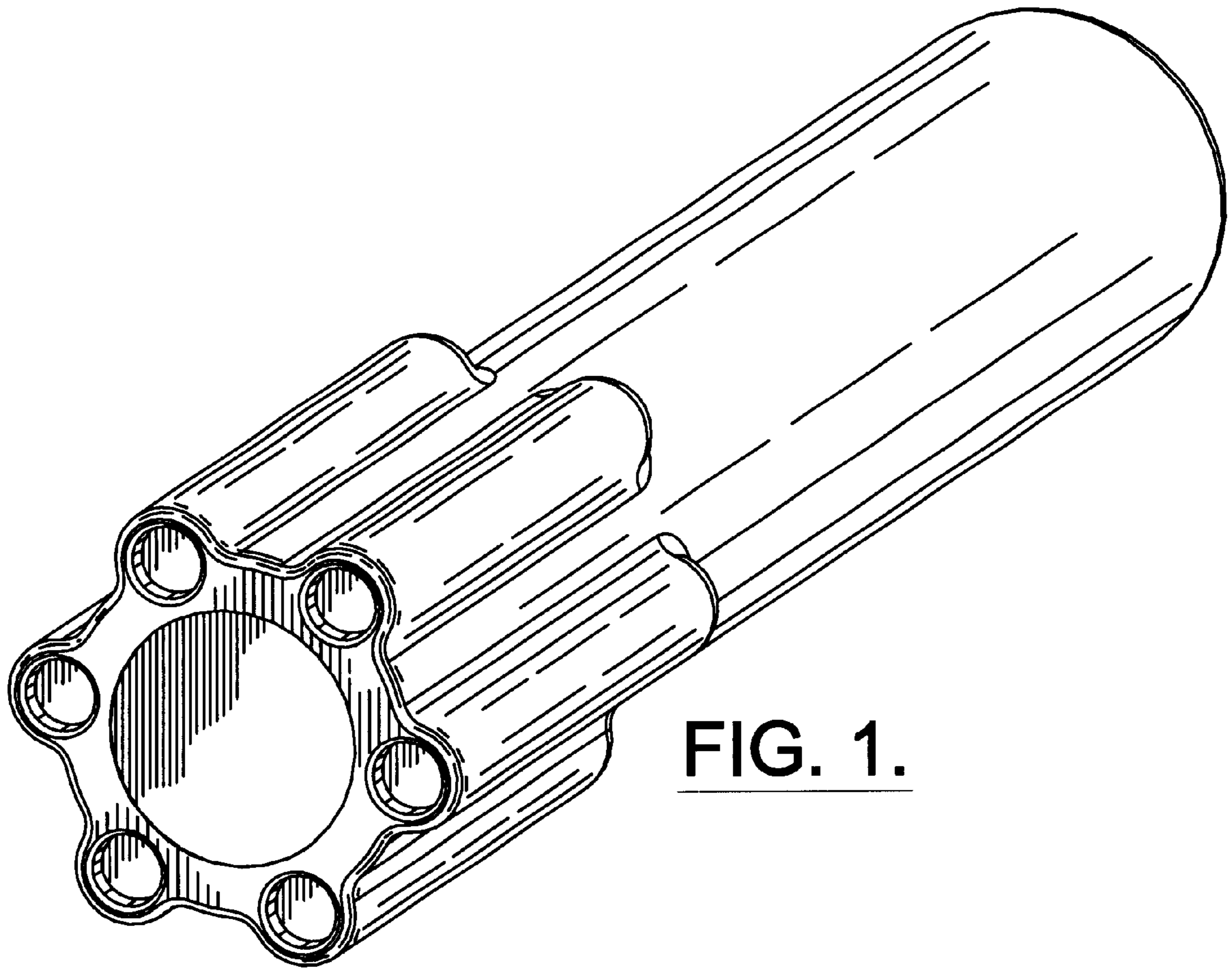


FIG. 1.

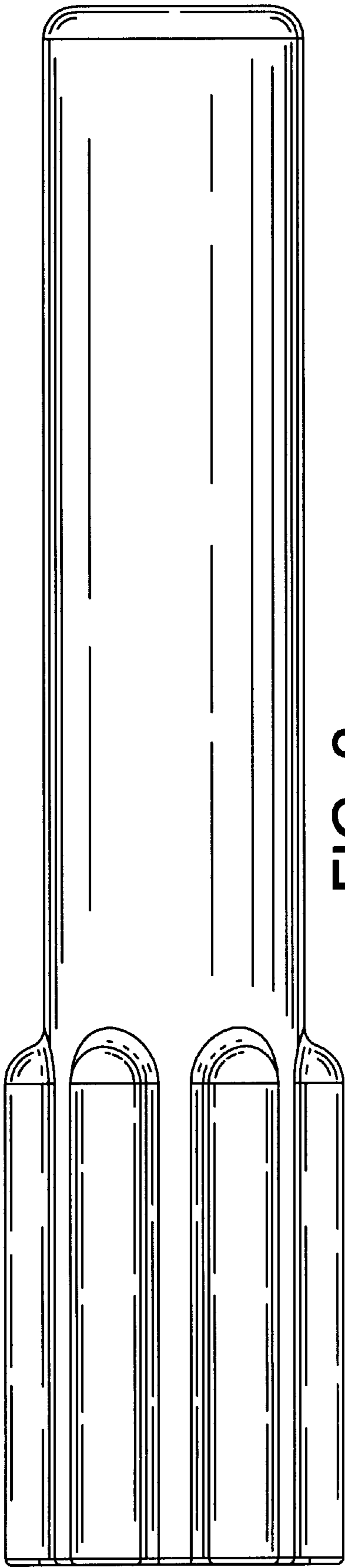


FIG. 2.

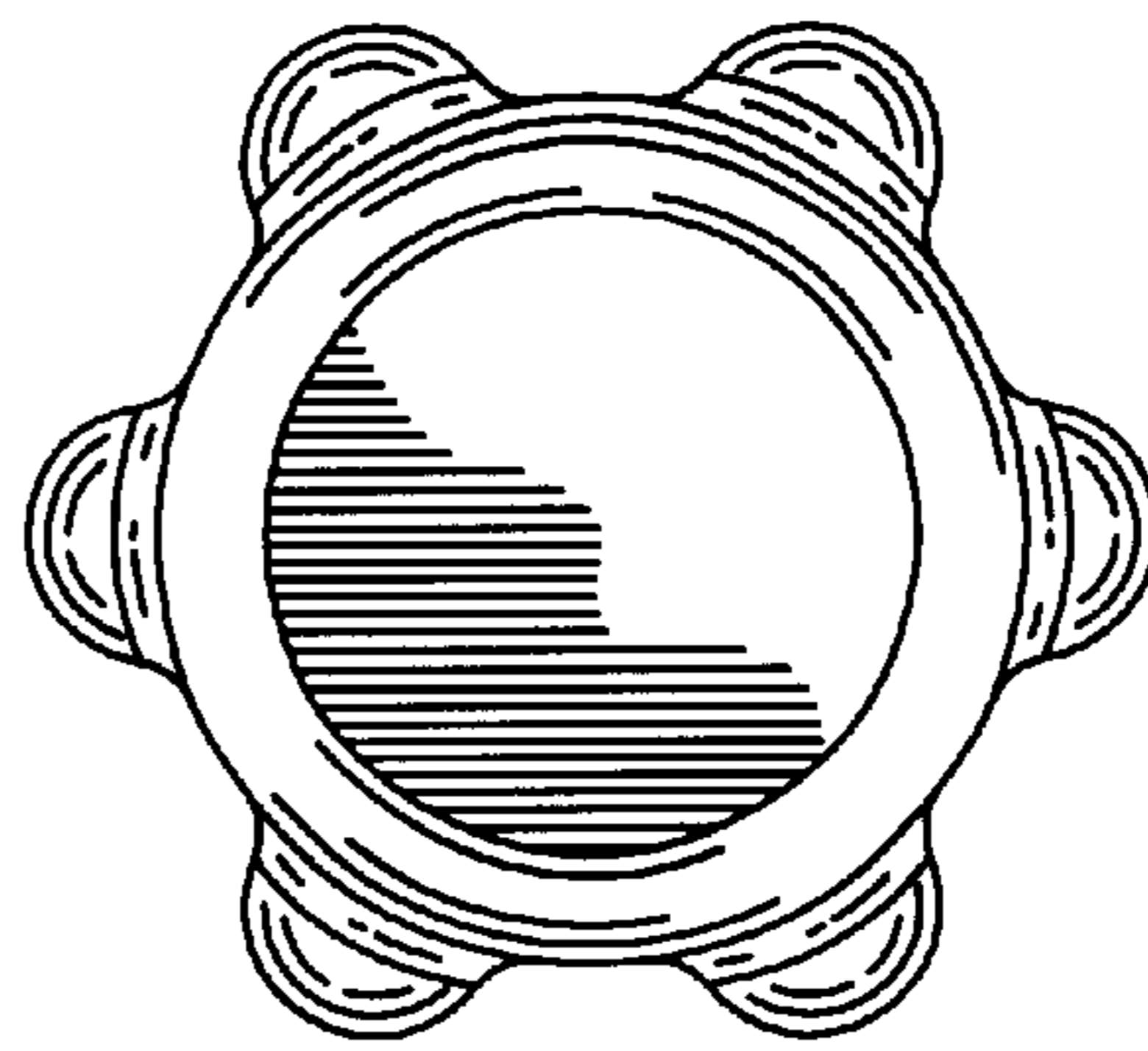


FIG. 3.

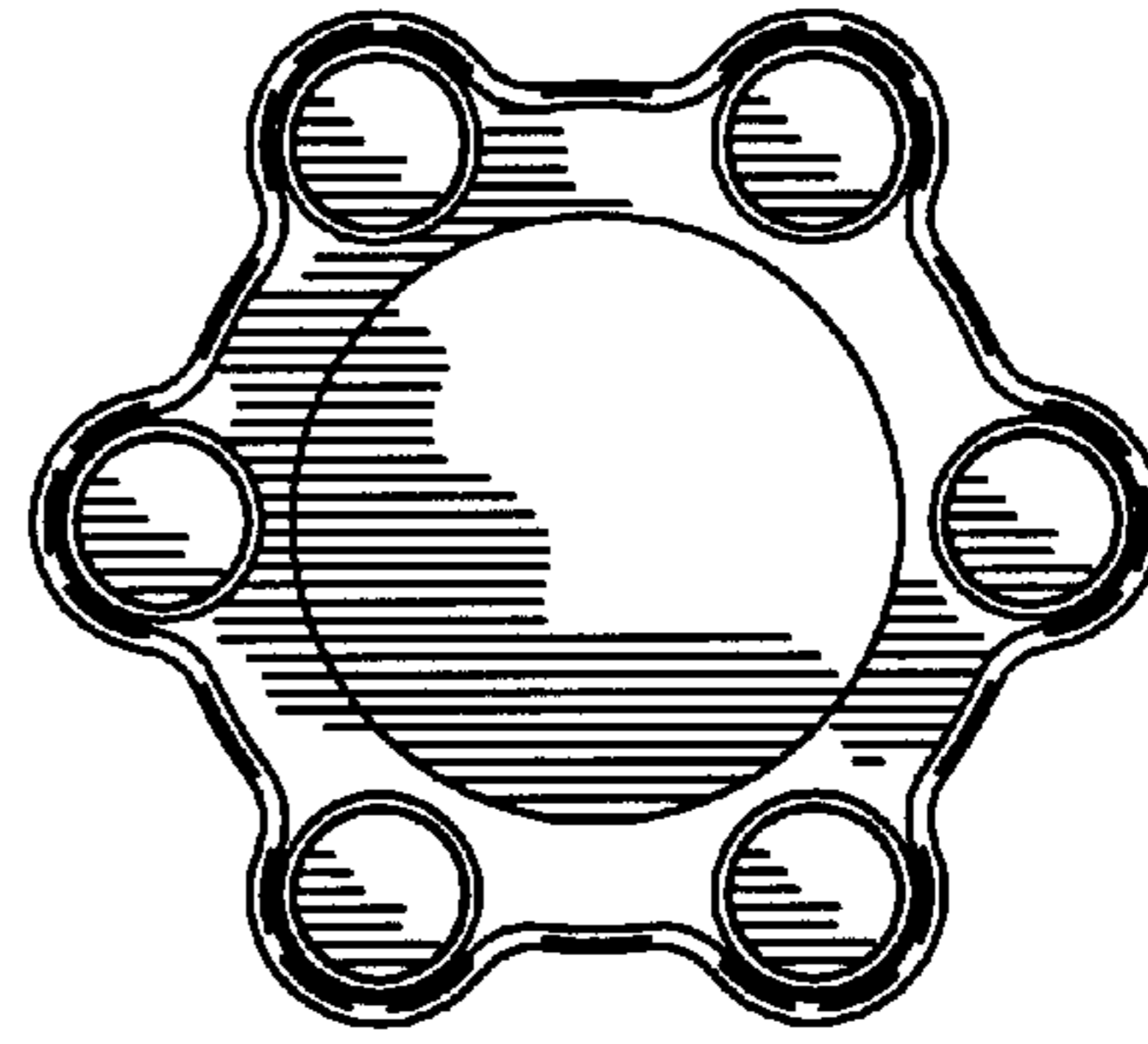


FIG. 4.