



US00D463590S

(12) **United States Design Patent**
Huang

(10) **Patent No.:** **US D463,590 S**

(45) **Date of Patent:** **** Sep. 24, 2002**

(54) **ROUND DECORATIVE VEHICLE LIGHTING REFLECTOR WITH SEGMENTED REFLECTIVE SURFACE**

Primary Examiner—Marcus A. Jackson
(74) *Attorney, Agent, or Firm*—Thomas I. Rozsa; Tony D. Chen

(75) **Inventor:** **Nan Huang Huang**, Rancho Palos Verdes, CA (US)

(57) **CLAIM**

The ornamental design for a round decorative vehicle lighting reflector with segmented reflective surface, as shown and described.

(73) **Assignee:** **Grand General Accessories Manufacturing Inc.**, Compton, CA (US)

DESCRIPTION

(**) **Term:** **14 Years**

FIG. 1 is a perspective view of a round decorative vehicle lighting reflector with segmented reflective surface, showing my new design;

(21) **Appl. No.:** **29/153,801**

FIG. 2 is a top plan view thereof;

(22) **Filed:** **Jan. 8, 2002**

FIG. 3 is a bottom plan view thereof;

(51) **LOC (7) Cl.** **26-04**

FIG. 4 is a side elevational view thereof, the other side being identical;

(52) **U.S. Cl.** **D26/36**

FIG. 5 is a frontal elevational view thereof;

(58) **Field of Search** D26/28-36; 362/61, 362/80, 80.1, 183-208

FIG. 6 is a rear elevational view thereof; and,

(56) **References Cited**

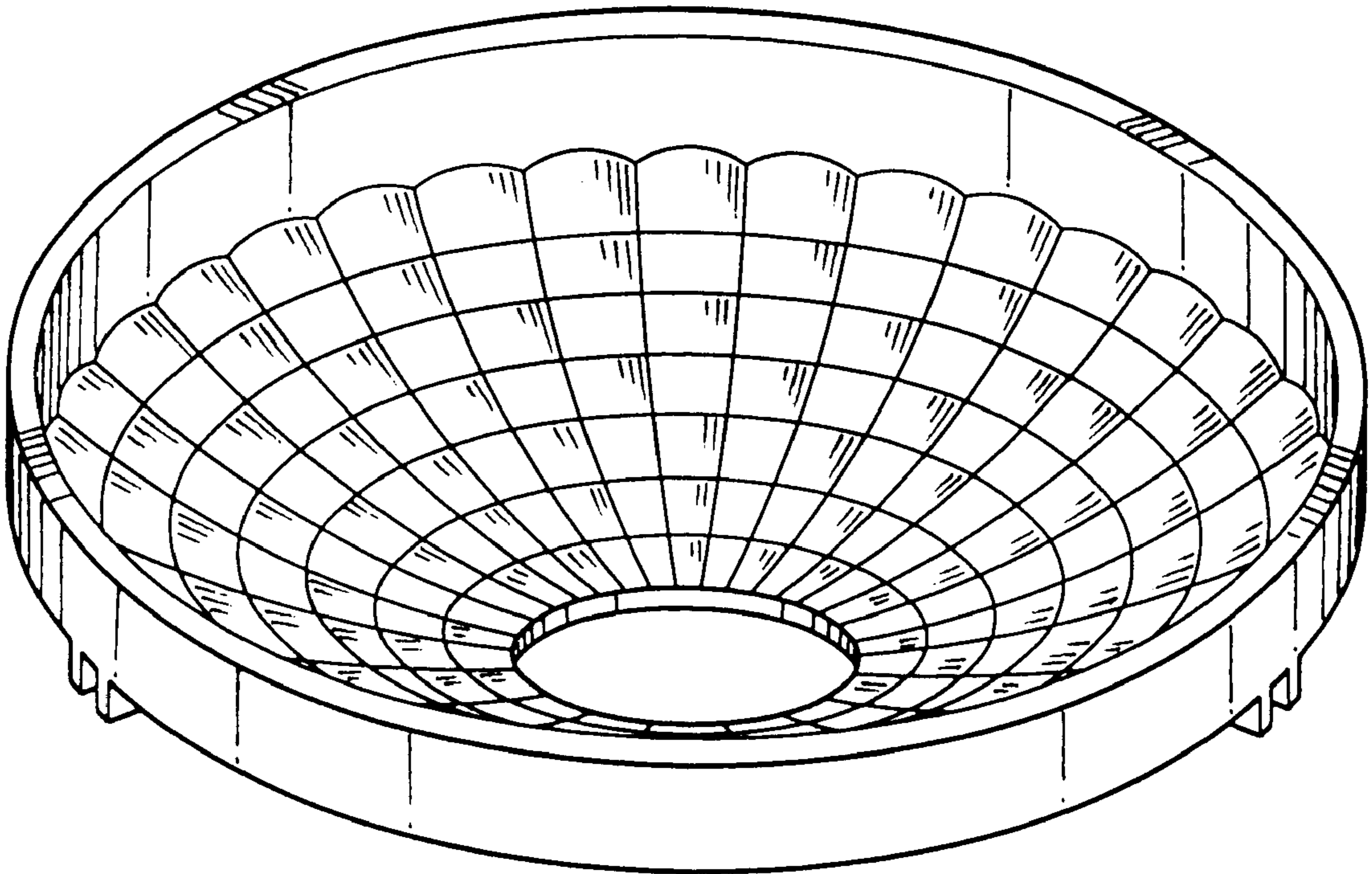
FIG. 7 is a perspective view thereof, showing my new design in its position of use, it being understood that the broken line (showing the housing, lens and light bulb of the vehicle lighting) is for illustrative purposes only and forms no part of the claimed design.

U.S. PATENT DOCUMENTS

- D235,473 S * 6/1975 Nagel D26/36
- D401,368 S * 11/1998 Baader et al. D26/36

* cited by examiner

1 Claim, 3 Drawing Sheets



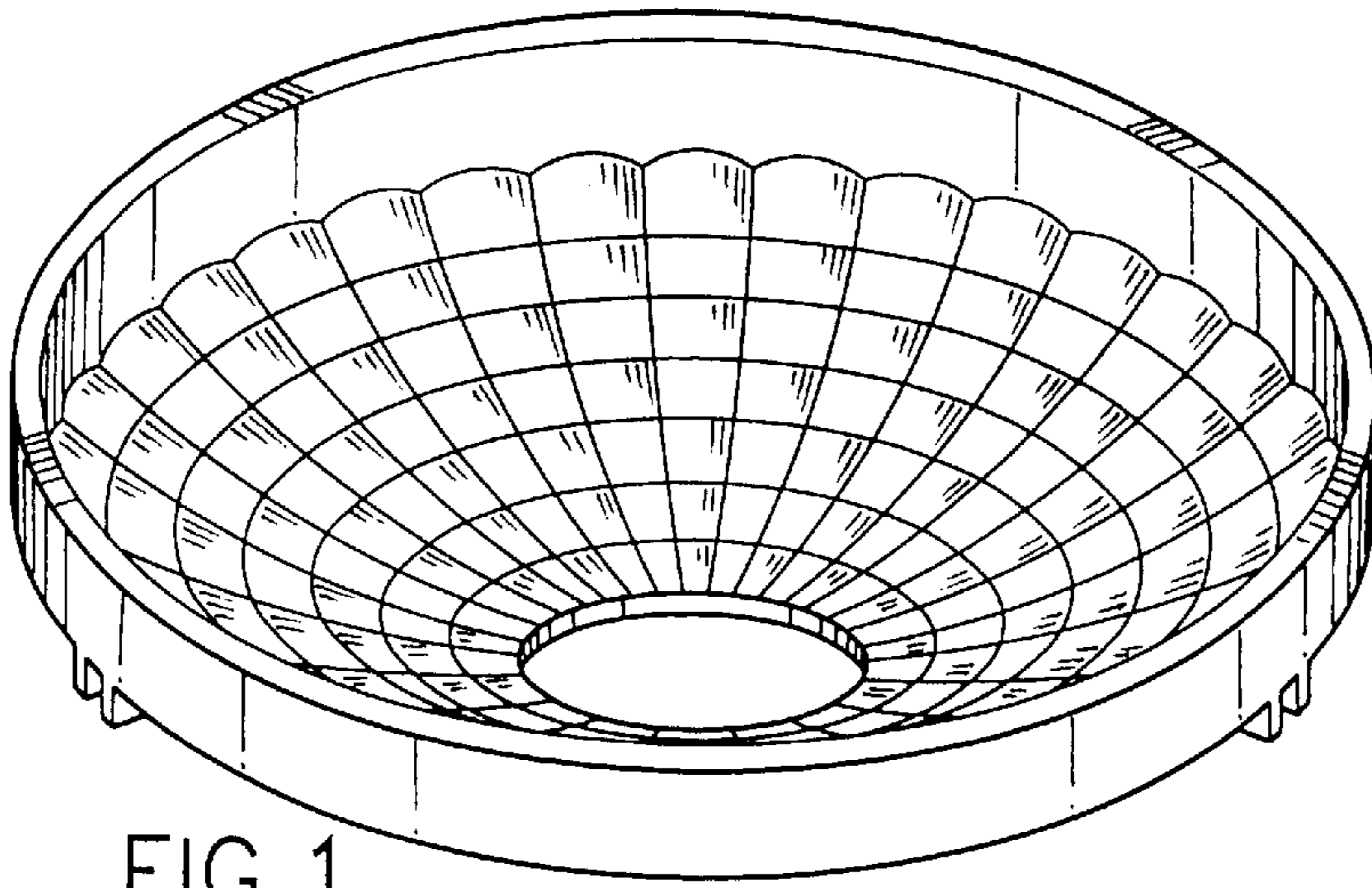


FIG. 1

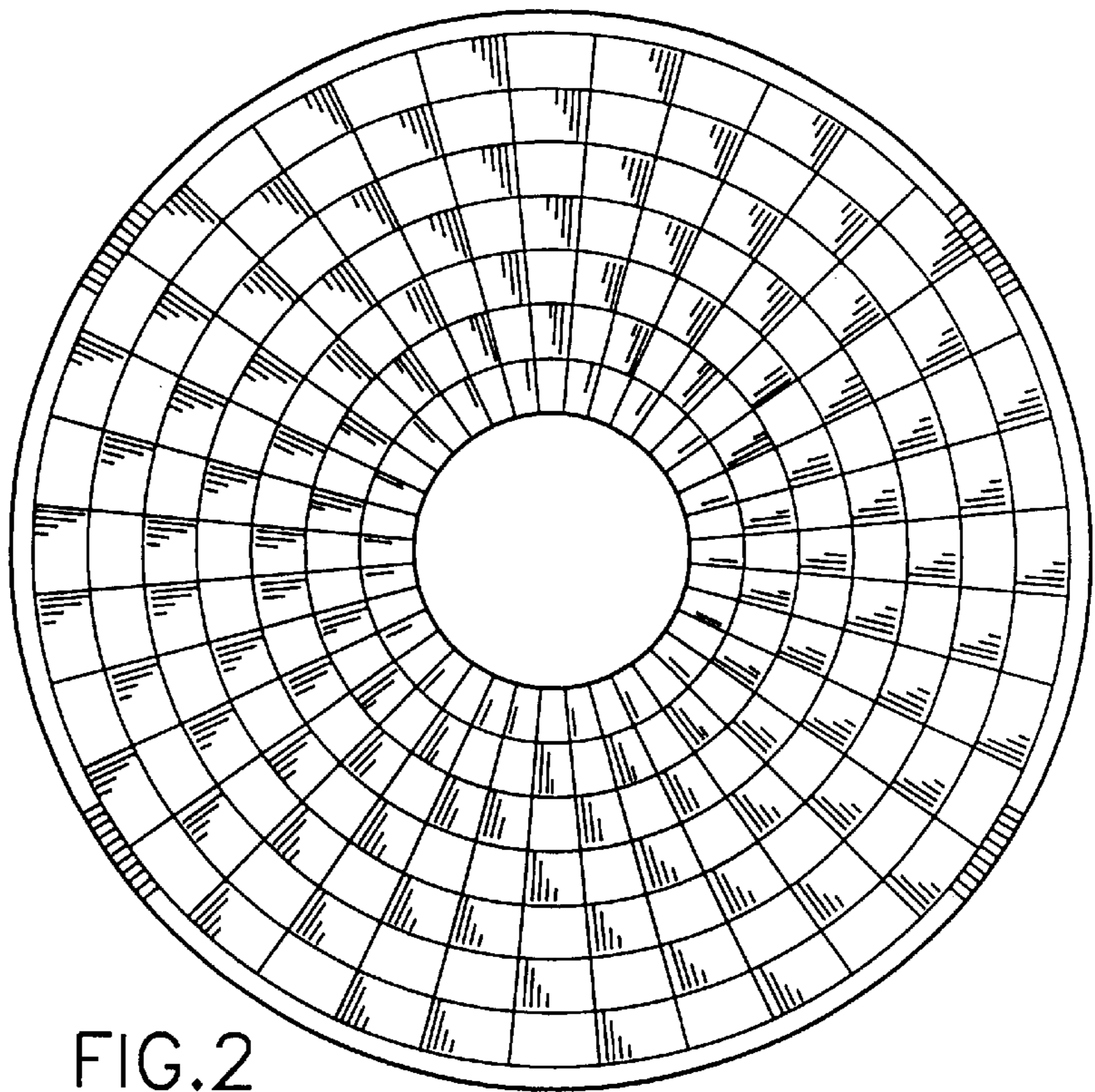


FIG. 2

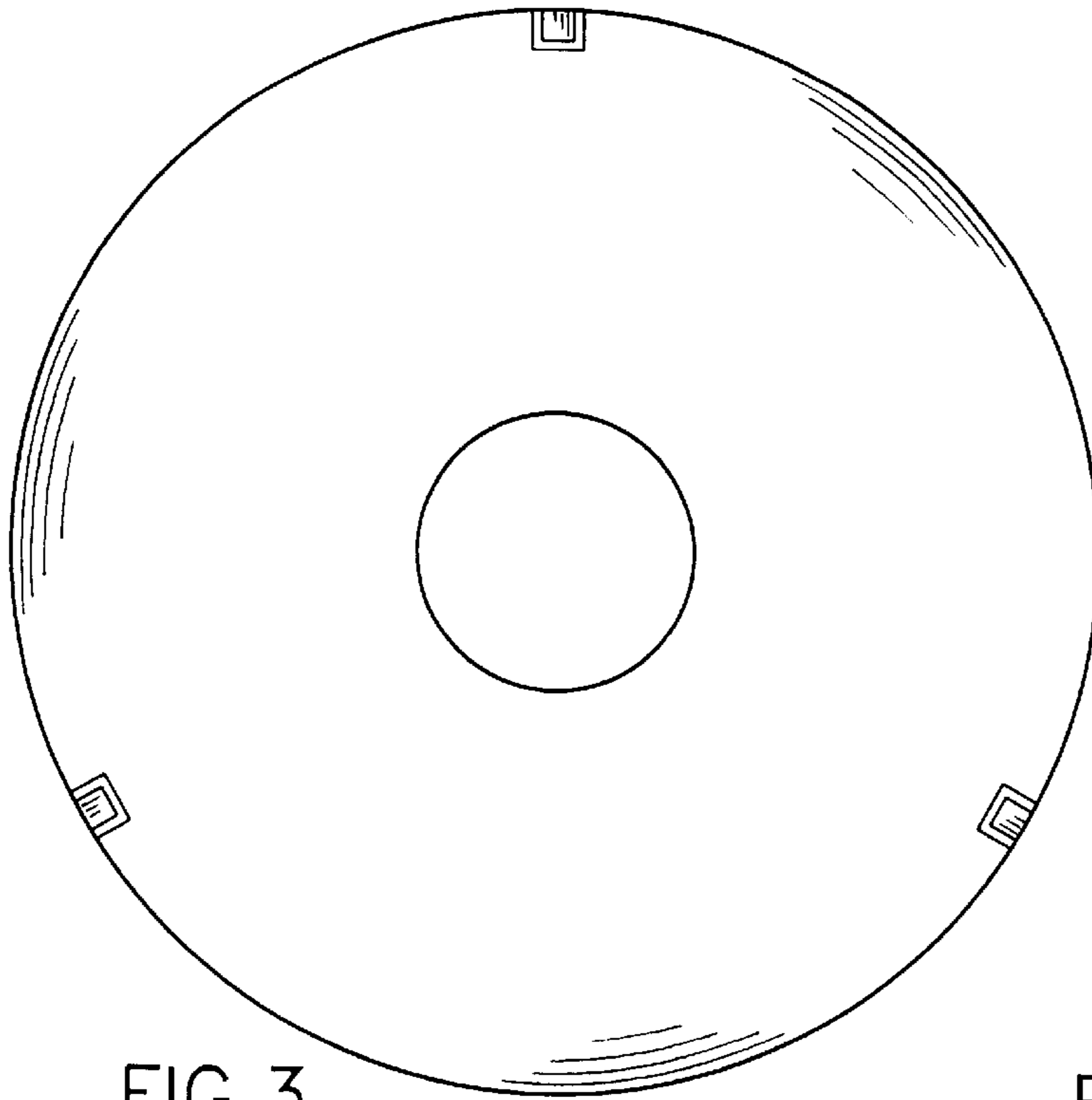


FIG. 3

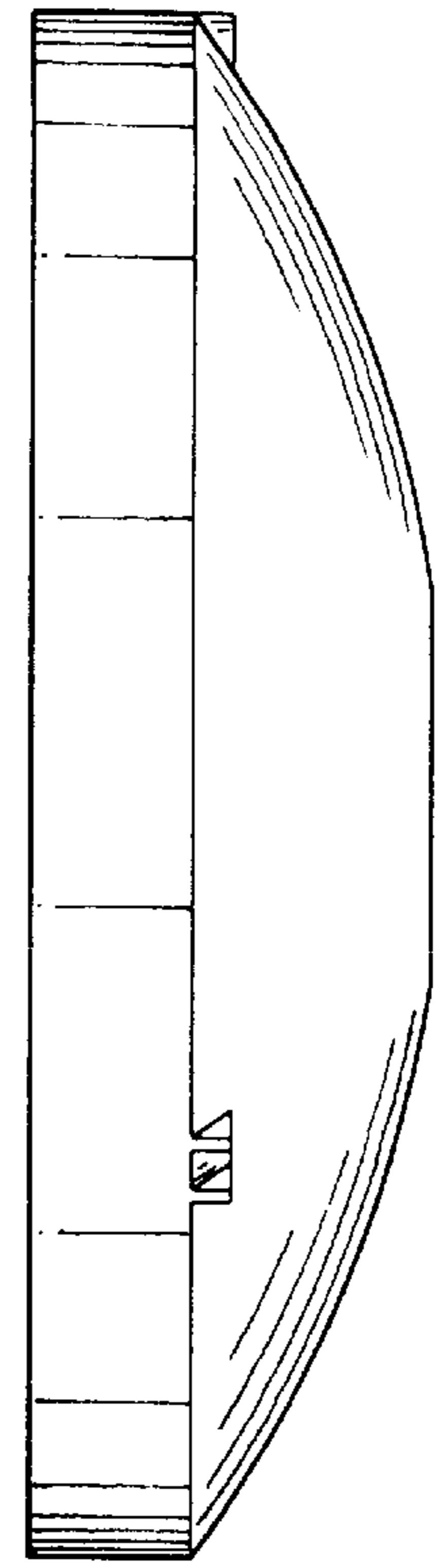


FIG. 4

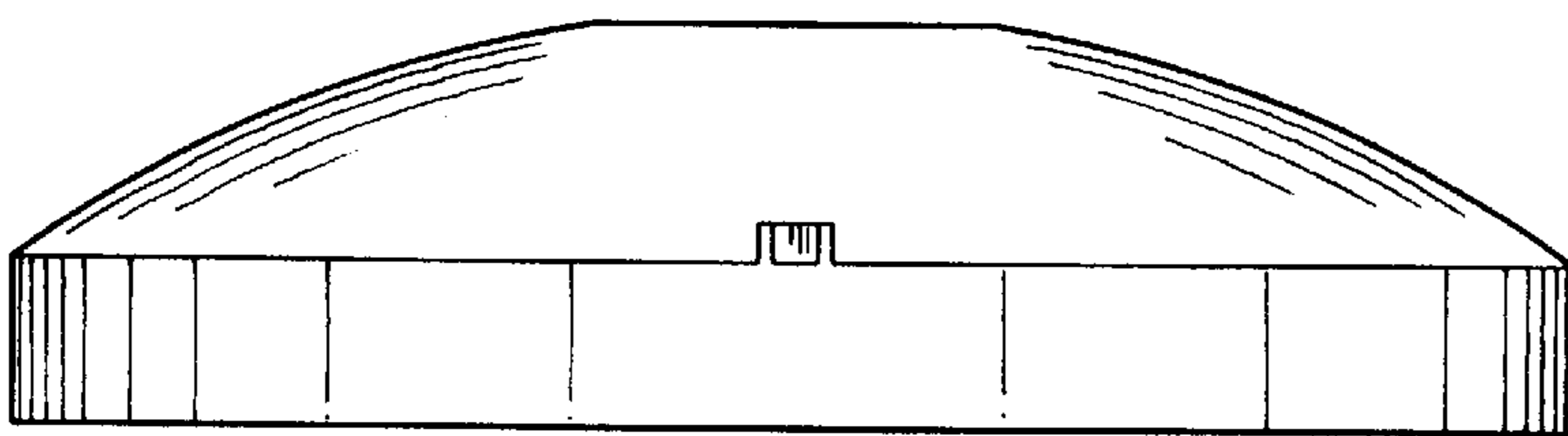


FIG. 5

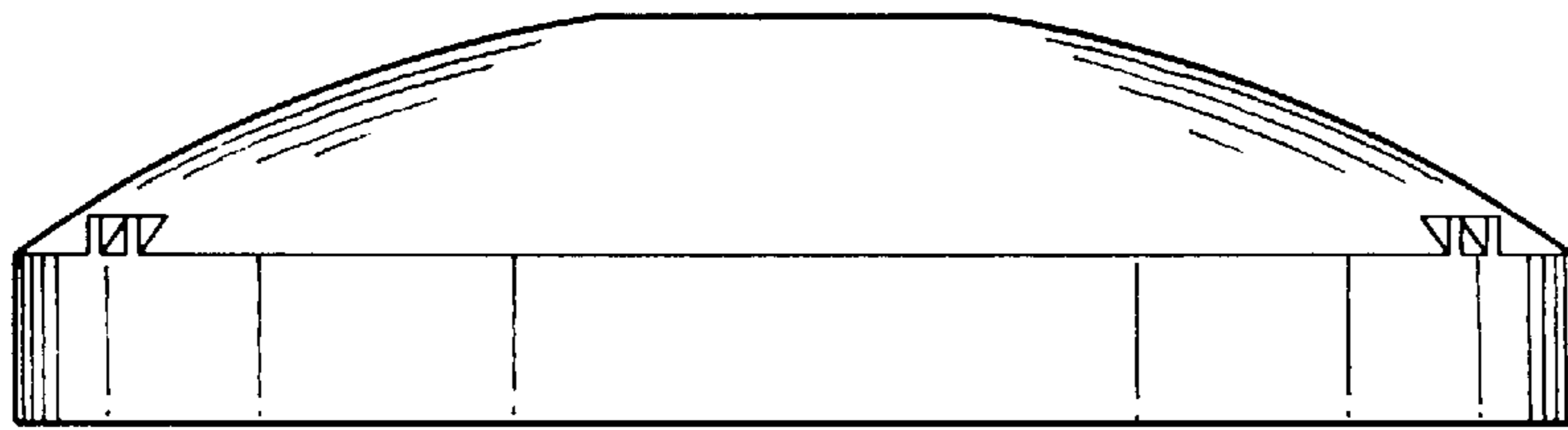


FIG. 6

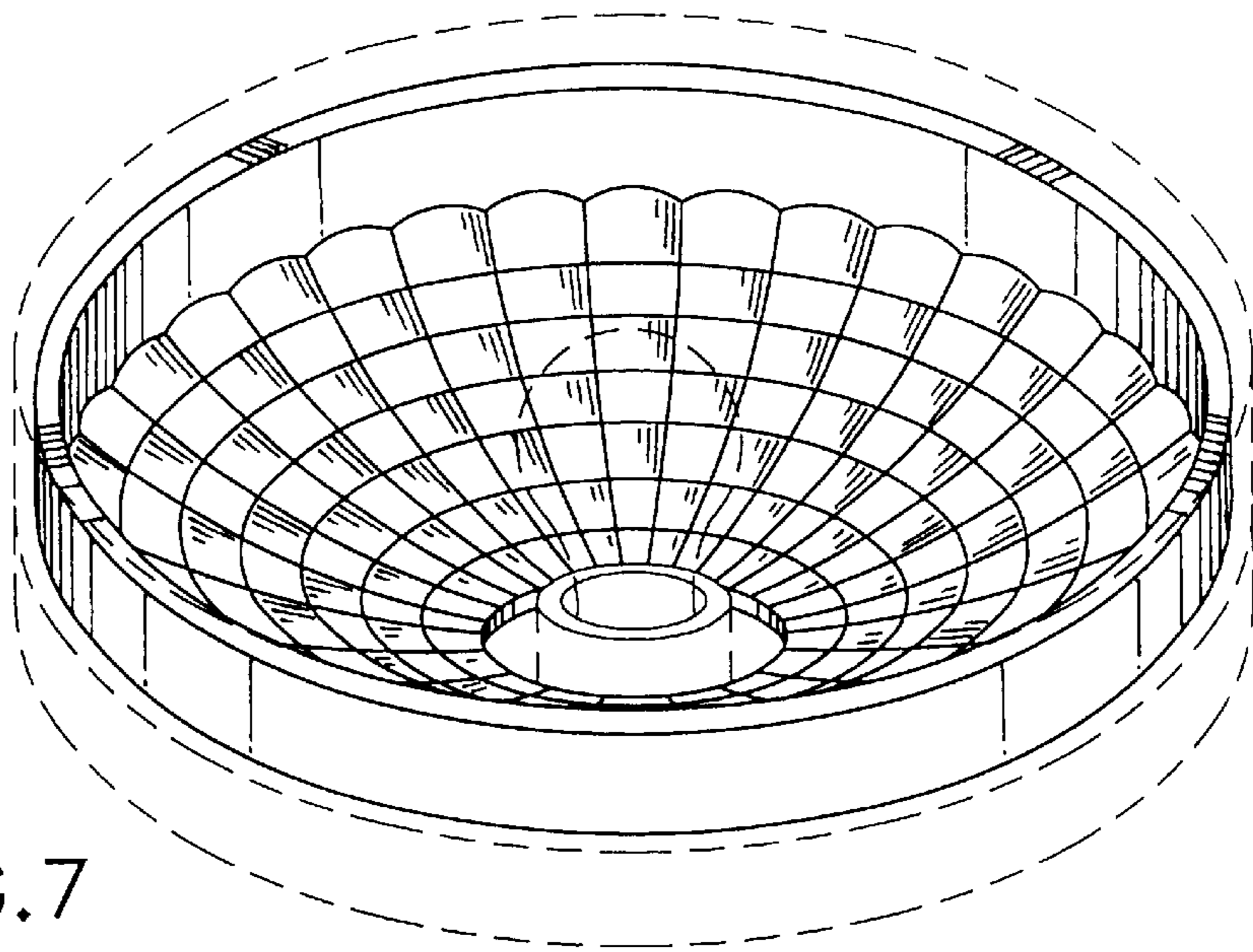


FIG. 7