



US00D463585S

(12) **United States Design Patent**
Foo

(10) **Patent No.:** **US D463,585 S**

(45) **Date of Patent:** **** Sep. 24, 2002**

(54) **FLUORESCENT TUBE**

(75) **Inventor:** **Onn Fah Foo, Kowloon (HK)**

(73) **Assignee:** **Mass Technology (H.K.) Ltd.,
Kowloon (HK)**

(**) **Term:** **14 Years**

(21) **Appl. No.:** **29/143,342**

(22) **Filed:** **Jun. 13, 2001**

(30) **Foreign Application Priority Data**

Apr. 20, 2001 (HK) 01 3 08806

(51) **LOC (7) Cl.** **26-06**

(52) **U.S. Cl.** **D26/3**

(58) **Field of Search** D26/1, 2, 3; 313/313,
313/317, 318, 493, 497, 567, 569, 56, 57,
58, 73

(56) **References Cited**

U.S. PATENT DOCUMENTS

D303,157 S * 8/1989 Misono et al. D26/3

D406,908 S	*	3/1999	Foo	D26/3
D413,398 S	*	8/1999	Foo	D26/3
D430,317 S	*	8/2000	Foo	D26/3
D438,652 S	*	3/2001	Foo	D26/3
D444,580 S	*	7/2001	Foo	D26/3
D446,320 S	*	8/2001	Choi	D26/3

* cited by examiner

Primary Examiner—Marcus A. Jackson

(74) *Attorney, Agent, or Firm*—Rabin & Berdo, P.C.

(57) **CLAIM**

The ornamental design for a fluorescent tube, as shown and described.

DESCRIPTION

FIG. 1 is a front view of a fluorescent tube showing my new design;

FIG. 2 is a left side view thereof;

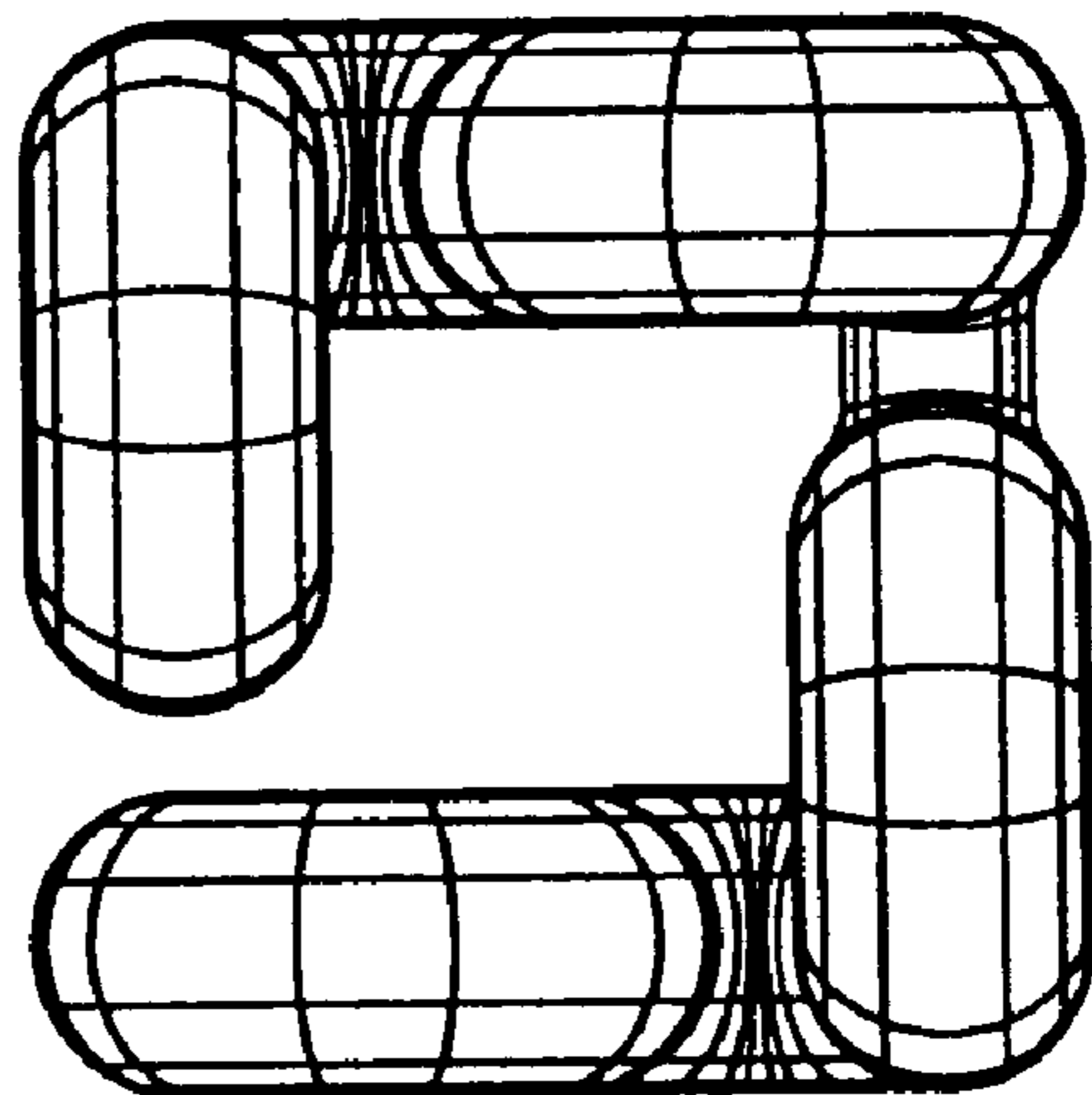
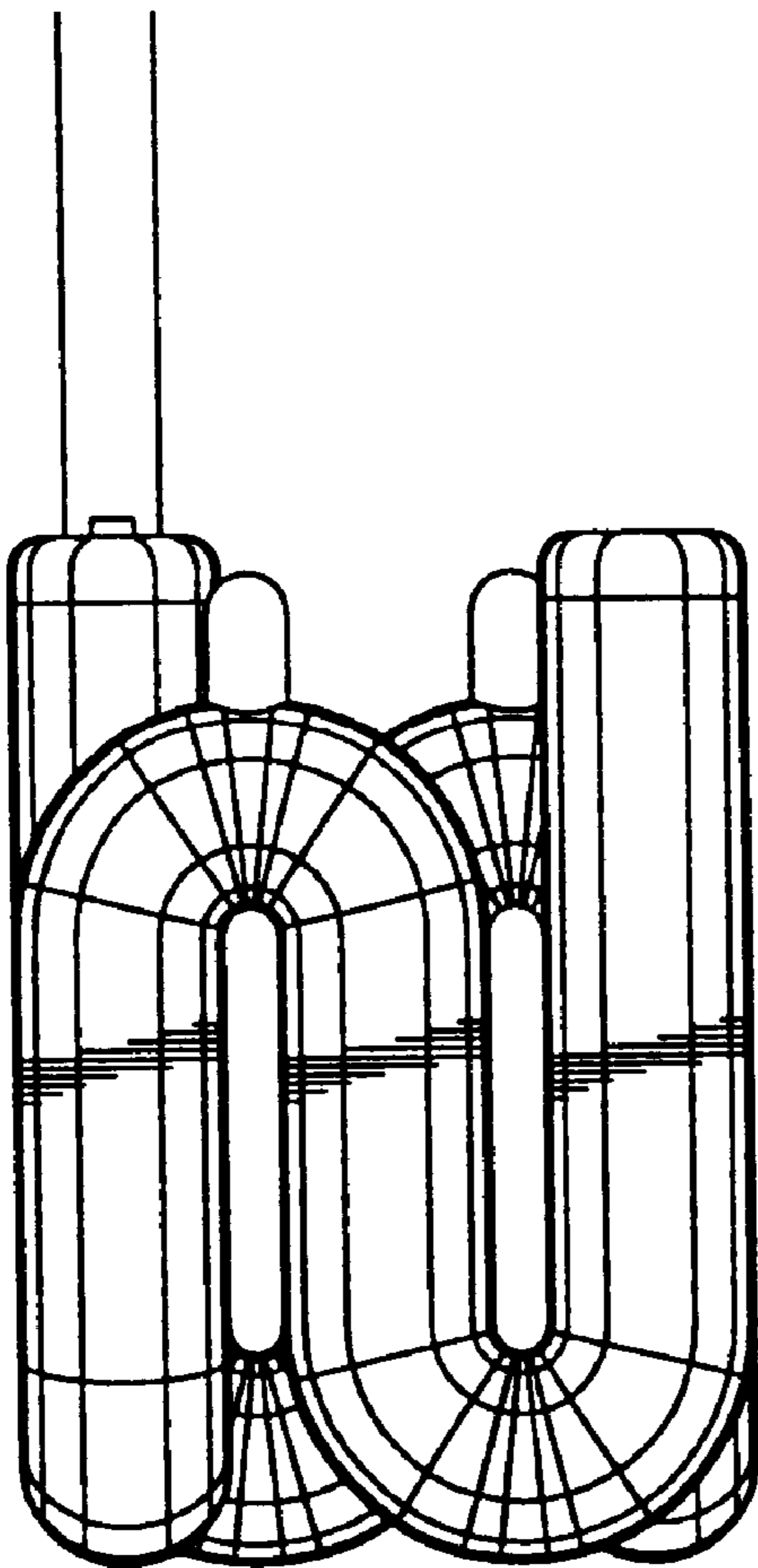
FIG. 3 is a right side view thereof;

FIG. 4 is a rear view thereof;

FIG. 5 is a top view thereof; and,

FIG. 6 is a bottom view thereof.

1 Claim, 1 Drawing Sheet



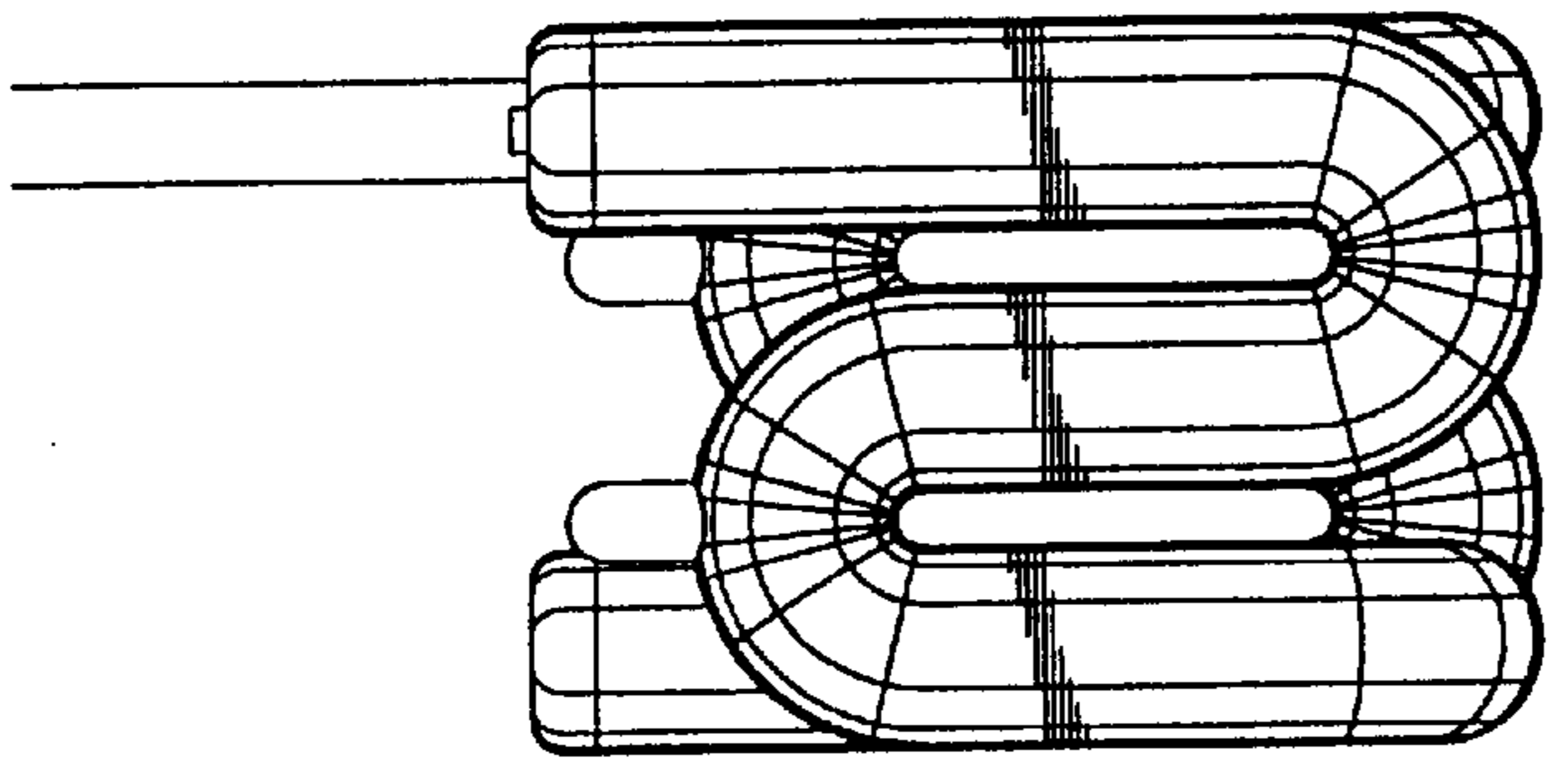


FIG. 1

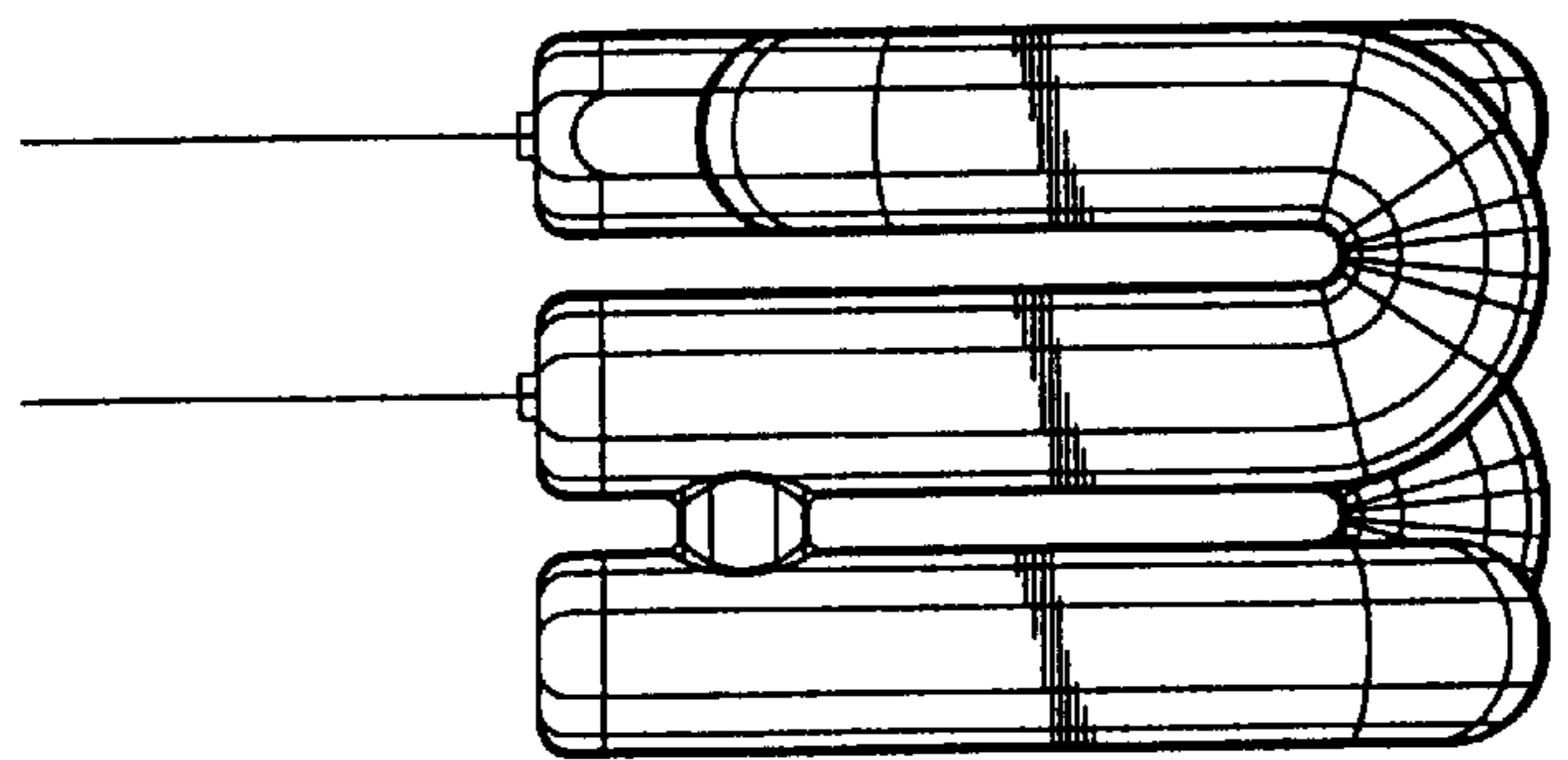


FIG. 2

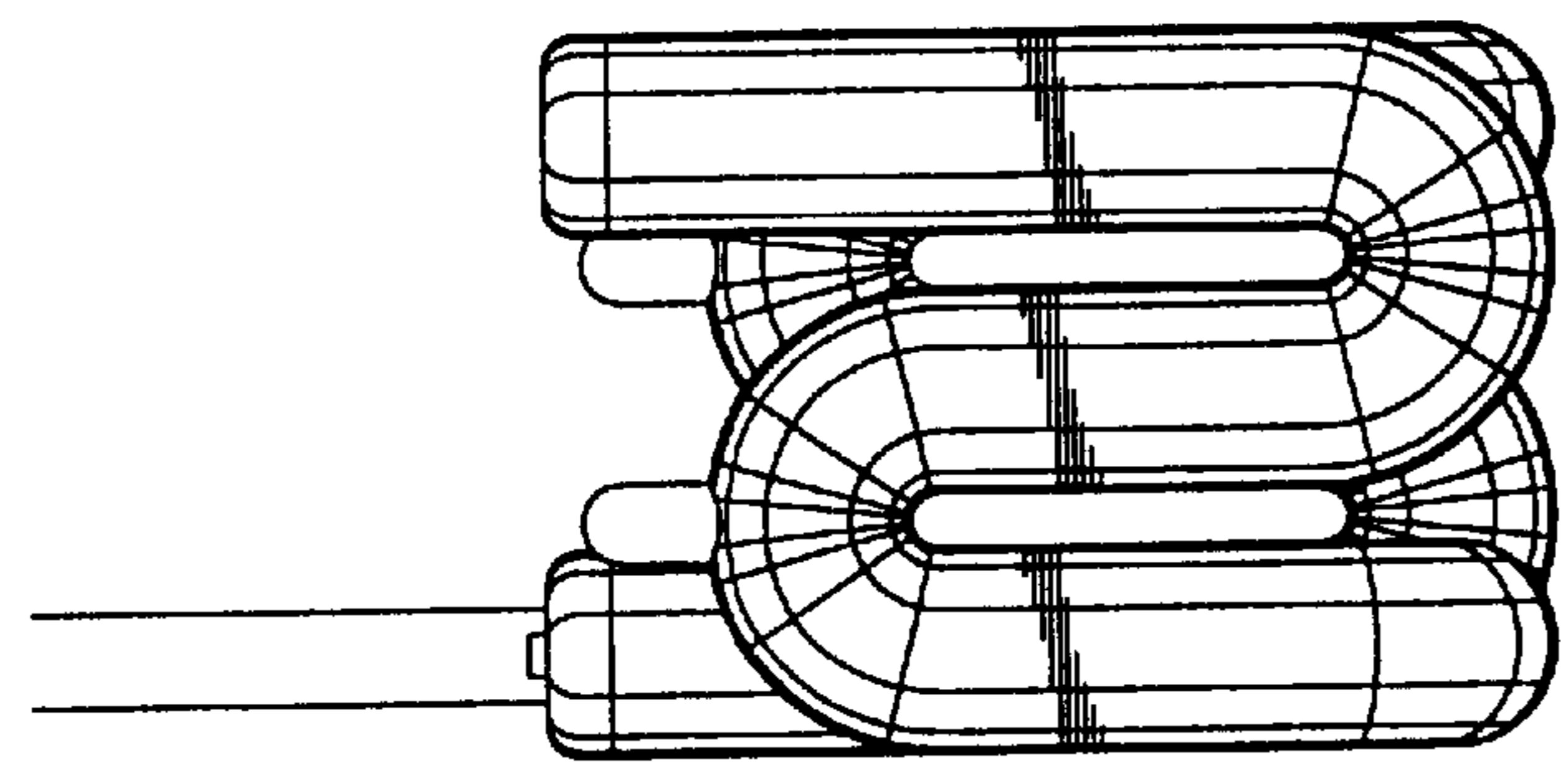


FIG. 3

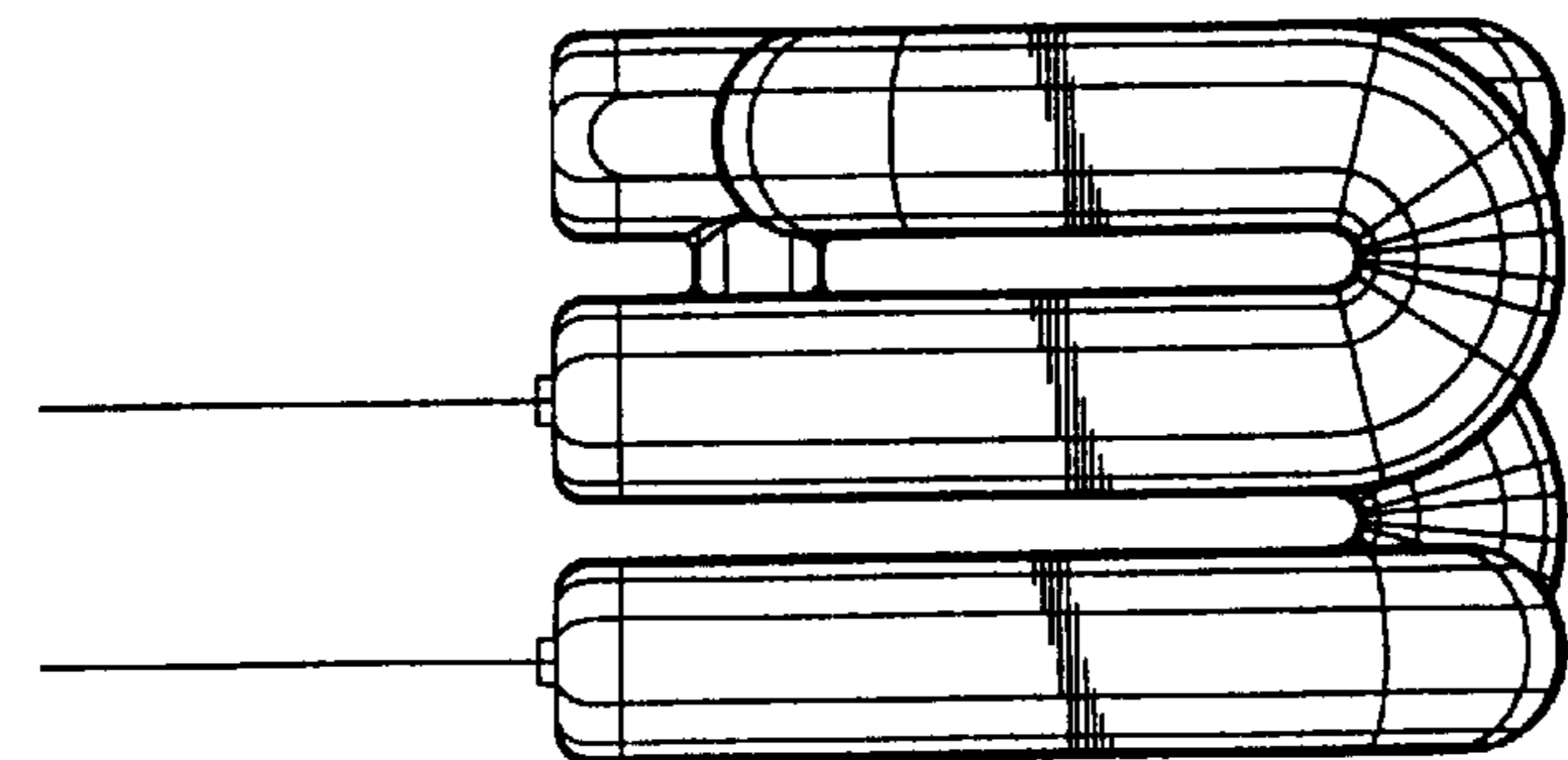


FIG. 4

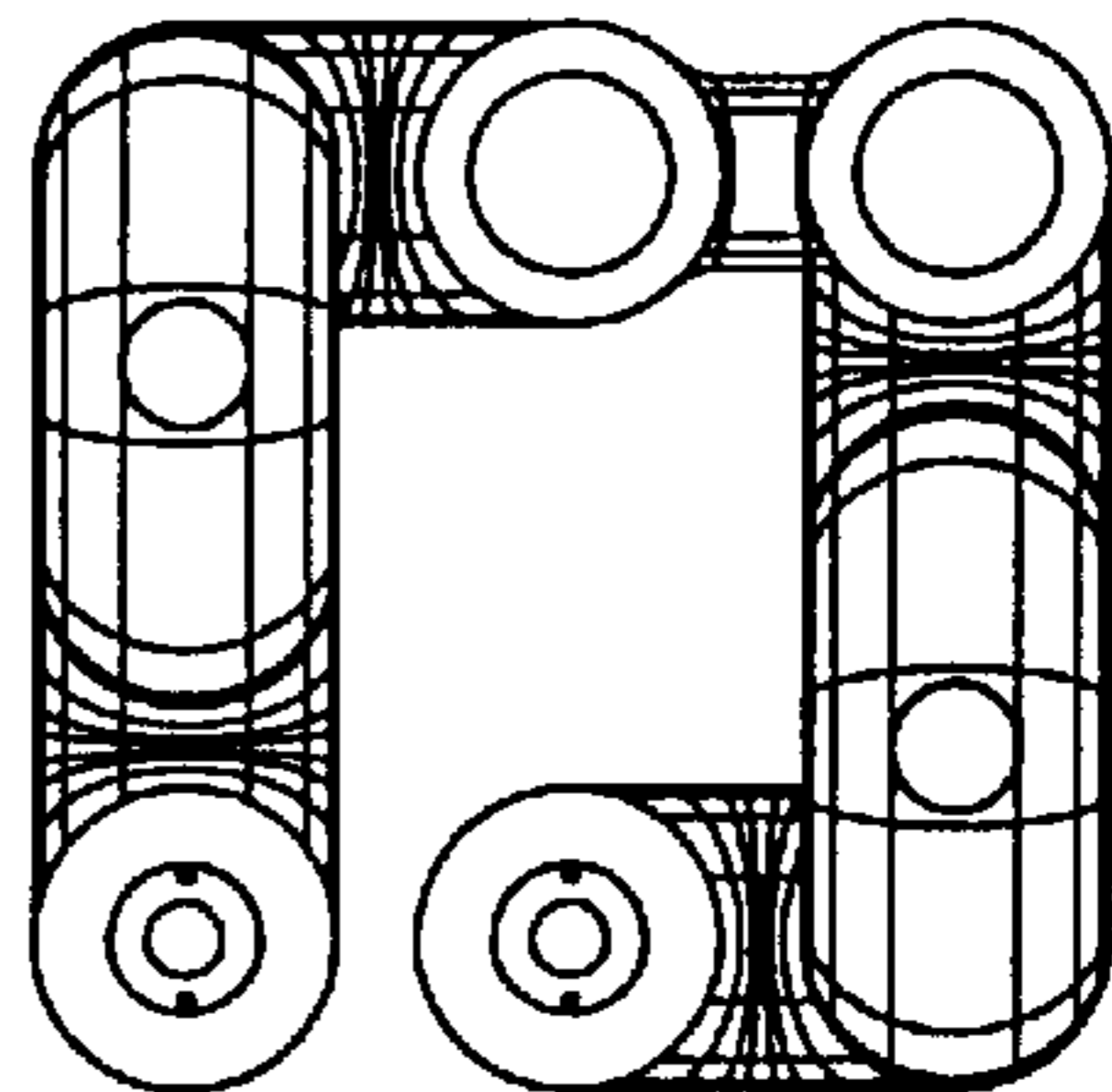


FIG. 5

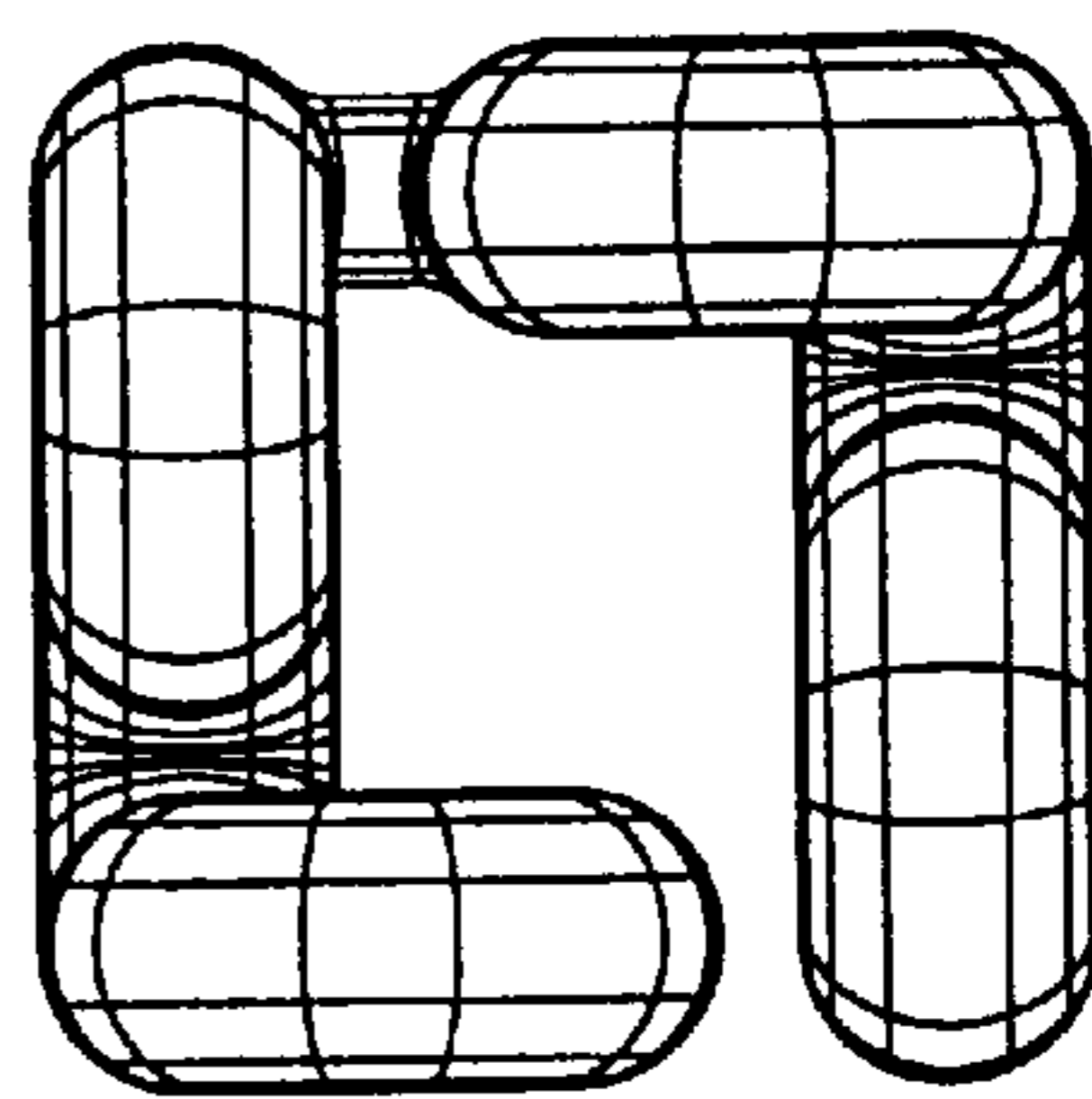


FIG. 6