



US00D463584S

(12) **United States Design Patent**
Yim

(10) **Patent No.:** **US D463,584 S**

(45) **Date of Patent:** **** Sep. 24, 2002**

(54) **ENERGY SAVING LIGHT**

D435,577 S * 12/2000 McBride D26/2

(75) Inventor: **Kin Kuo Yim**, Kowloon (HK)

* cited by examiner

(73) Assignee: **Super Trend Lighting Limited**,
Kowloon (HK)

Primary Examiner—Marcus A. Jackson
(74) *Attorney, Agent, or Firm*—Salter & Michaelson

(**) Term: **14 Years**

(57) **CLAIM**

(21) Appl. No.: **29/150,623**

The ornamental design for an energy saving light, as shown and described.

(22) Filed: **Nov. 26, 2001**

DESCRIPTION

(51) **LOC (7) Cl.** **26-06**

(52) **U.S. Cl.** **D26/2**

(58) **Field of Search** D26/1, 2, 3, 4;
313/313, 315, 318, 493; 315/52, 53, 56,
57

FIG. 1 is a perspective view of an energy saving light showing my new design;

FIG. 2 is a right side elevational view thereof (the left side elevational view, the top plan view and bottom plan view being mirror images thereof);

FIG. 3 is a front elevational view thereof;

FIG. 4 is a rear elevational view thereof; and,

FIG. 5 is an exploded view thereof.

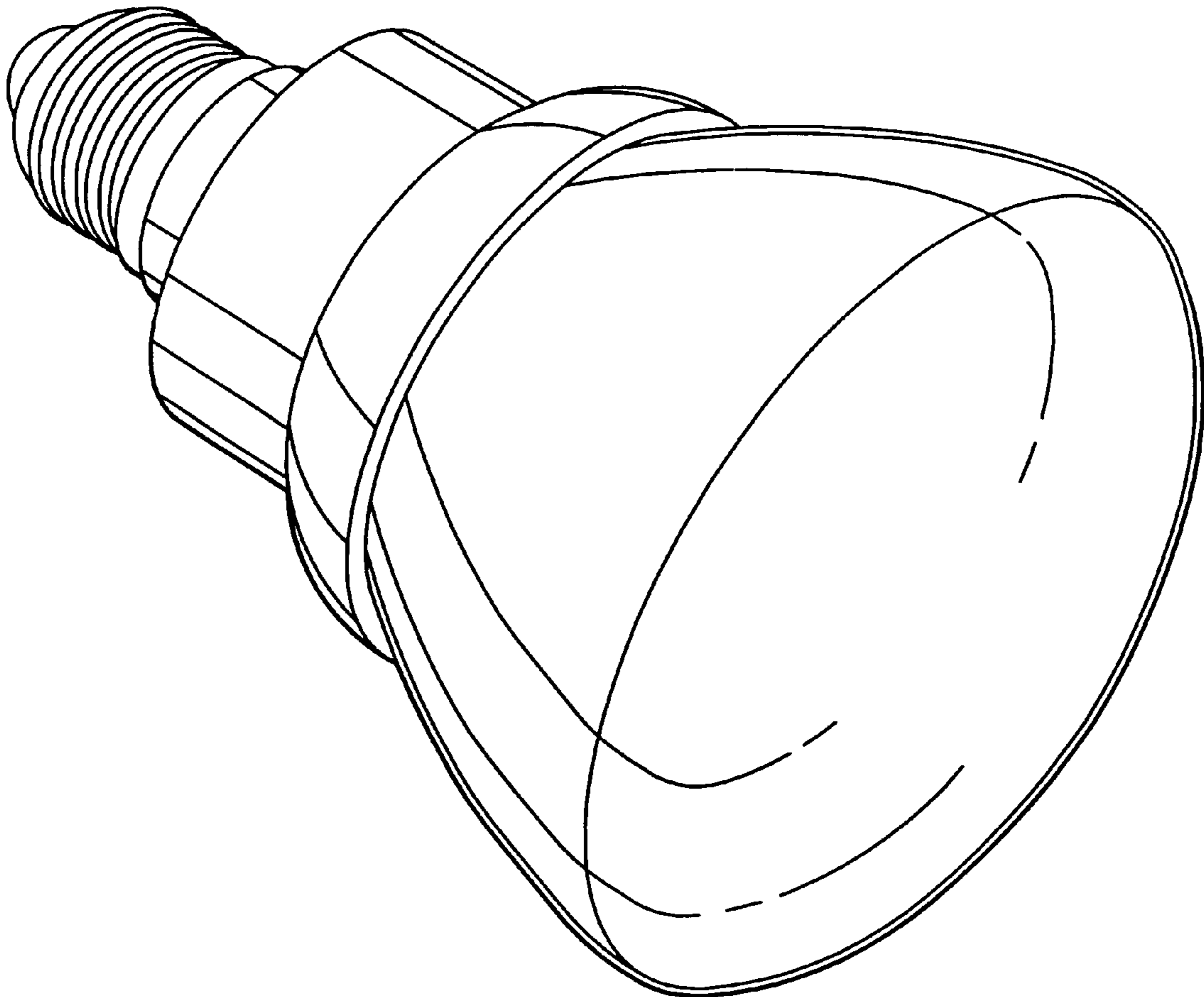
The portions shown in broken lines are included for illustrative purposes only and form no part of the claimed design.

(56) **References Cited**

U.S. PATENT DOCUMENTS

- D432,684 S 10/2000 Yim
- D432,685 S 10/2000 Yim
- D433,167 S * 10/2000 Yim D26/2

1 Claim, 4 Drawing Sheets



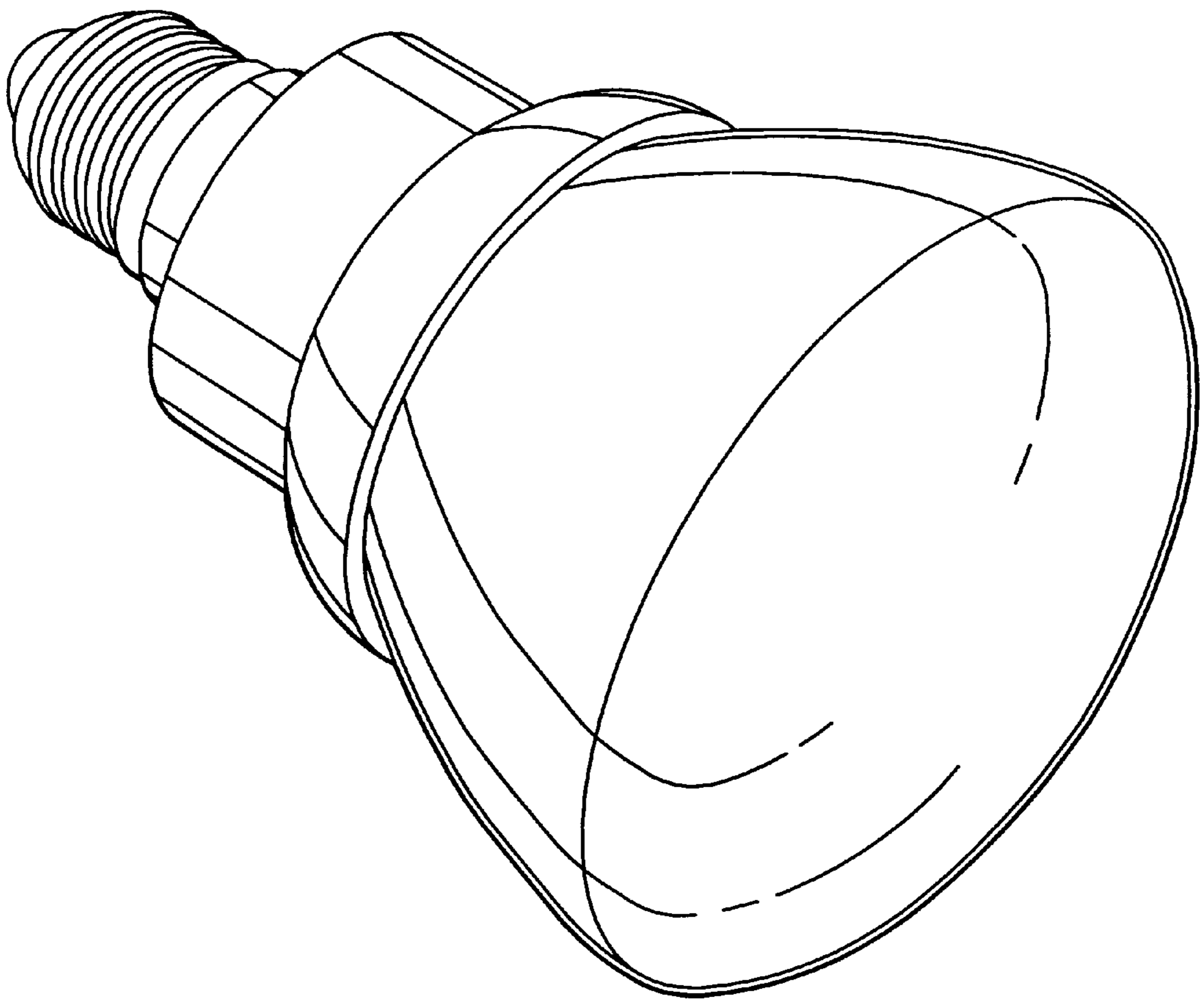


FIG. 1

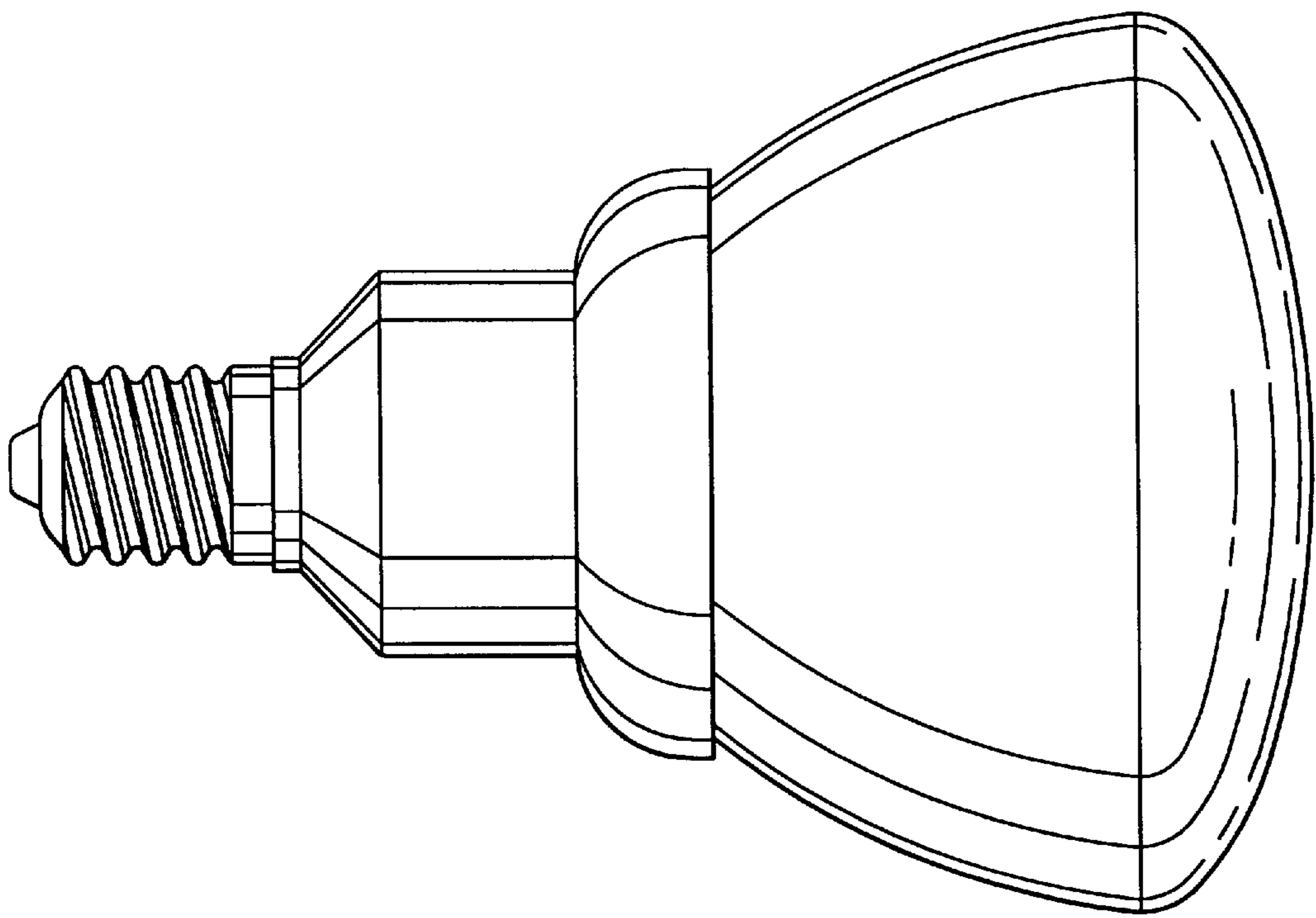


FIG. 2

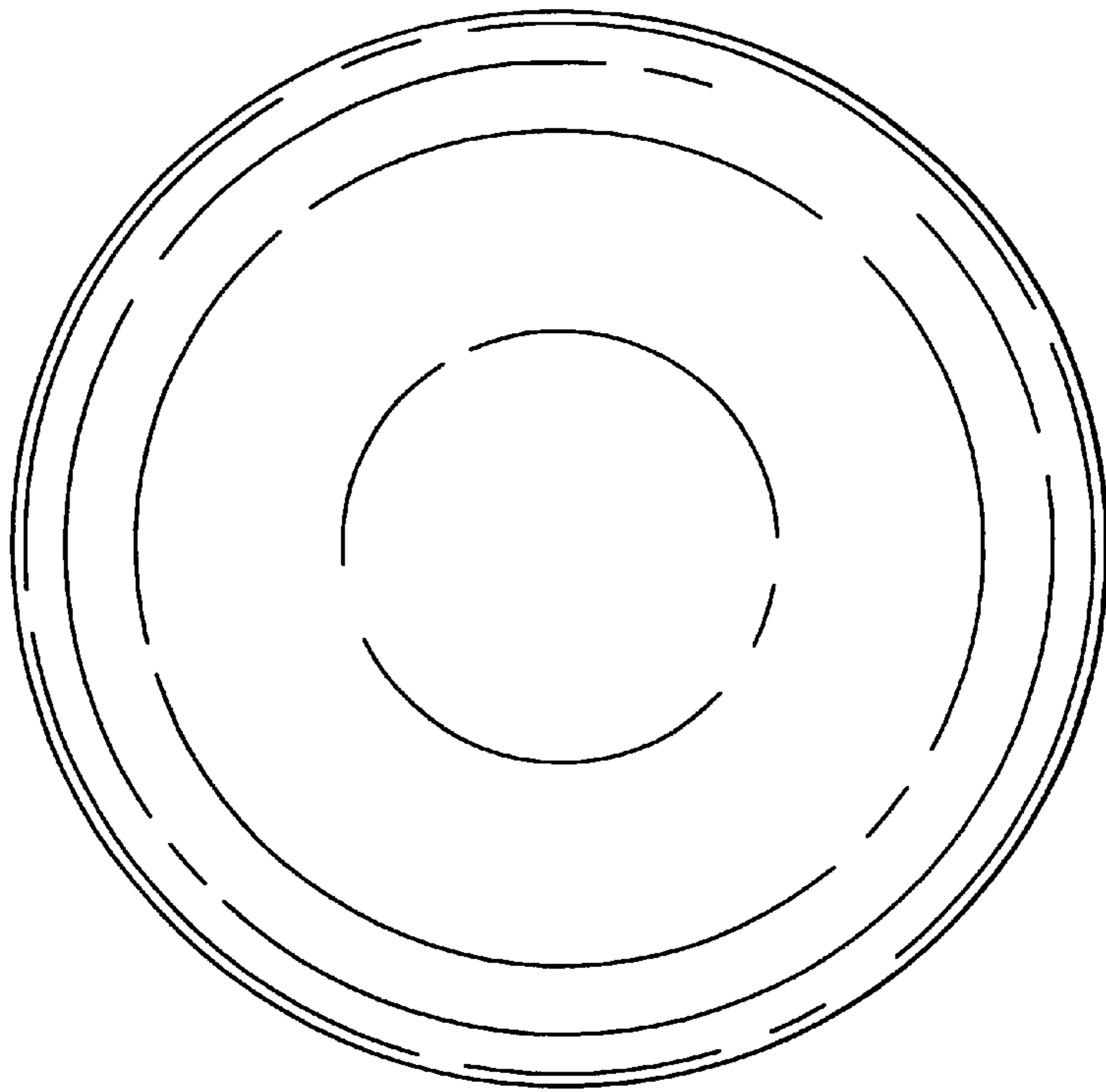


FIG. 3

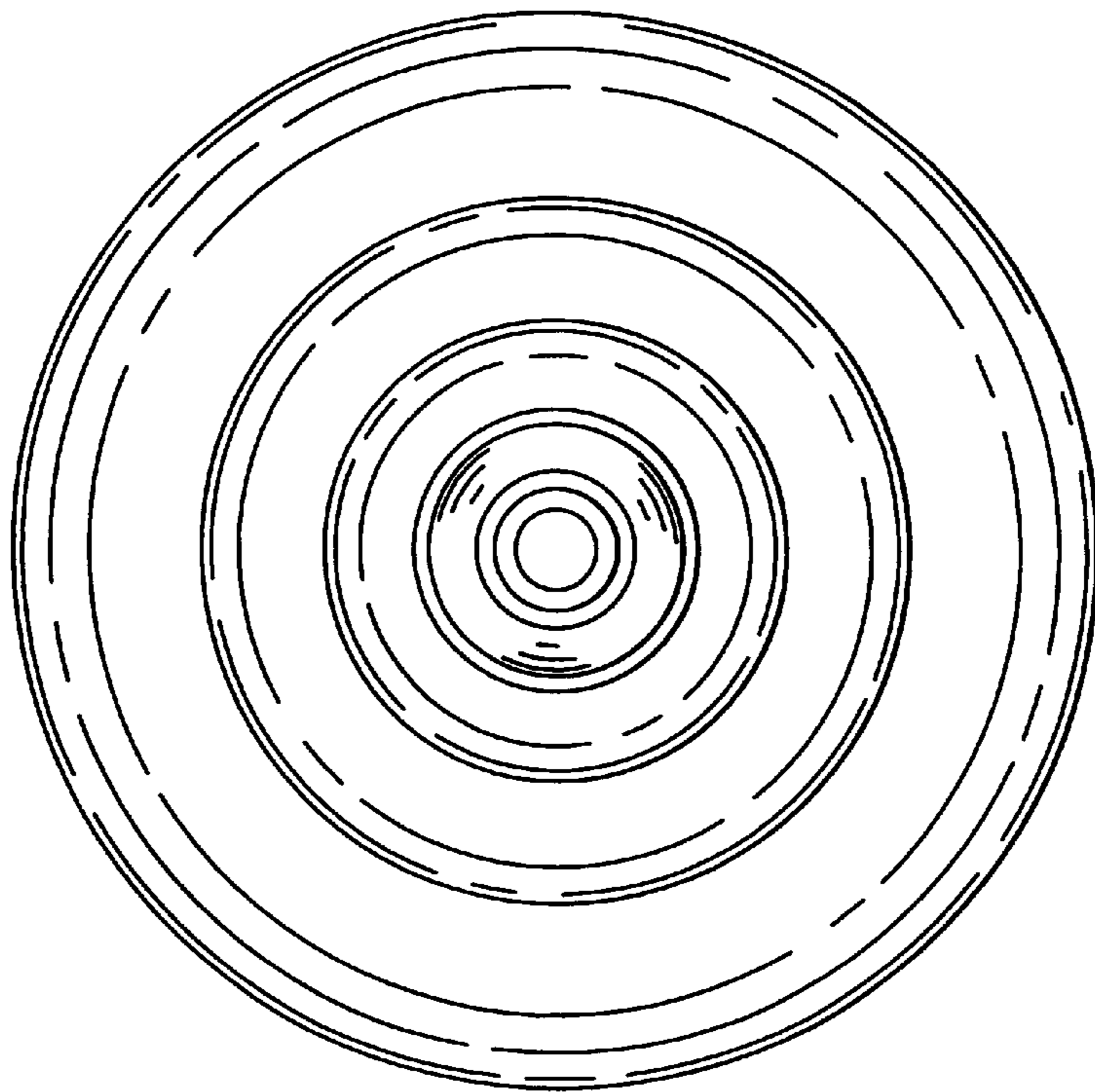


FIG. 4

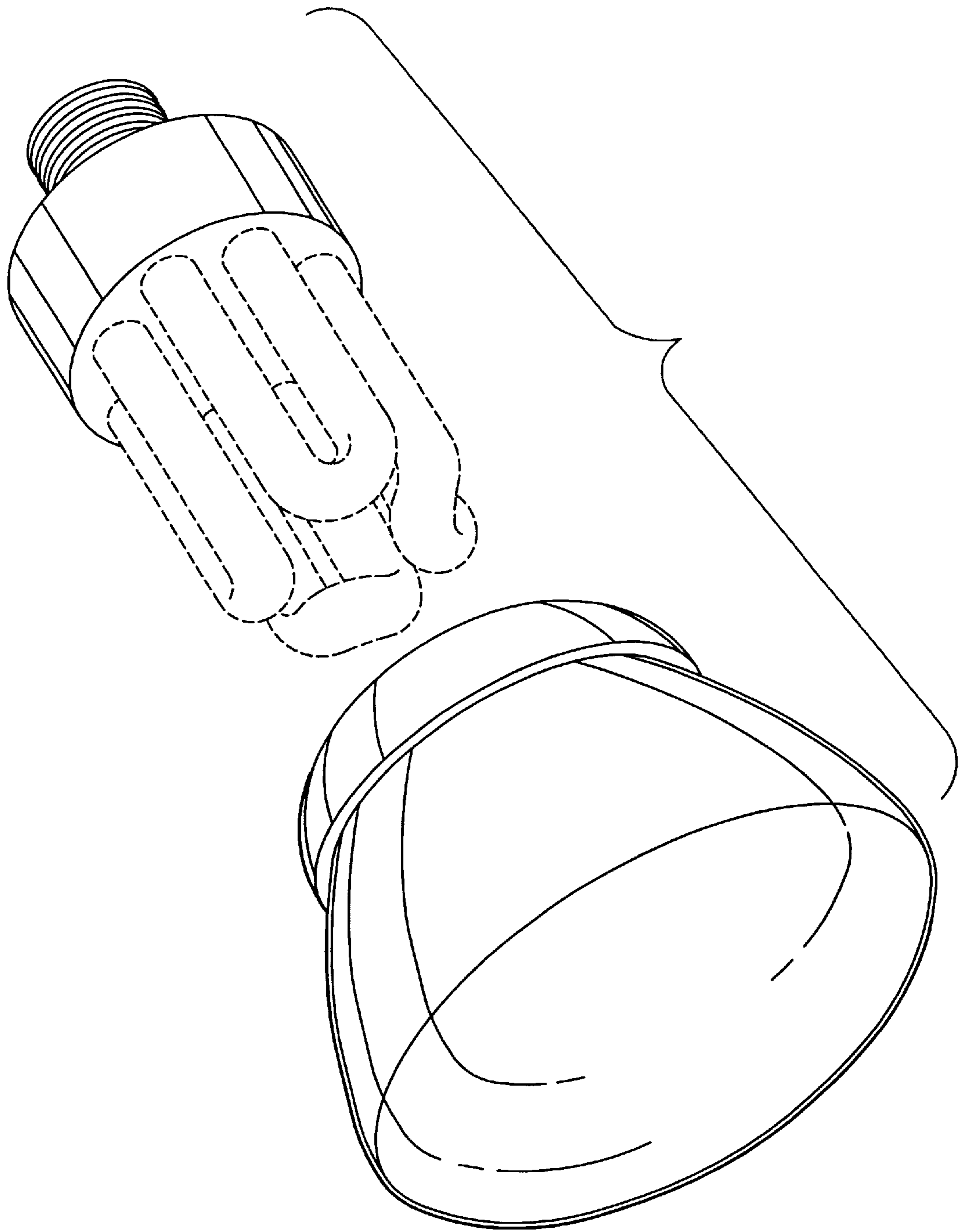


FIG. 5