



US00D463583S

(12) **United States Design Patent**
Pontarolo

(10) **Patent No.:** **US D463,583 S**

(45) **Date of Patent:** **** Sep. 24, 2002**

(54) **MODULAR ELEMENT WITH AERATION FOR FLOORS**

(75) Inventor: **Valerio Pontarolo**, Cordovado (IT)

(73) Assignee: **Pontarolo Engineering Srl**, Cordovado (IT)

(**) Term: **14 Years**

(21) Appl. No.: **29/136,440**

(22) Filed: **Feb. 1, 2001**

Related U.S. Application Data

(62) Division of application No. 29/108,755, filed on Aug. 4, 1999, now Pat. No. Des. 451,611.

(51) **LOC (7) Cl.** **25-99**

(52) **U.S. Cl.** **D25/199; D25/62**

(58) **Field of Search** **D25/62, 199; 52/740.1, 52/649.8, 677, 682**

(56) **References Cited**

U.S. PATENT DOCUMENTS

D451,611 S * 12/2001 Pontarolo D25/119

* cited by examiner

Primary Examiner—Doris Clark

(74) *Attorney, Agent, or Firm*—Antonelli, Terry, Stout & Kraus, LLP

(57) **CLAIM**

The ornamental design for a modular element with aeration for floors, as shown.

DESCRIPTION

FIG. 1 is a perspective view of a modular element with aeration for floors;

FIG. 2 is a front view of the modular element with aeration for floors;

FIG. 3 is a rear view of the modular element with aeration for floors;

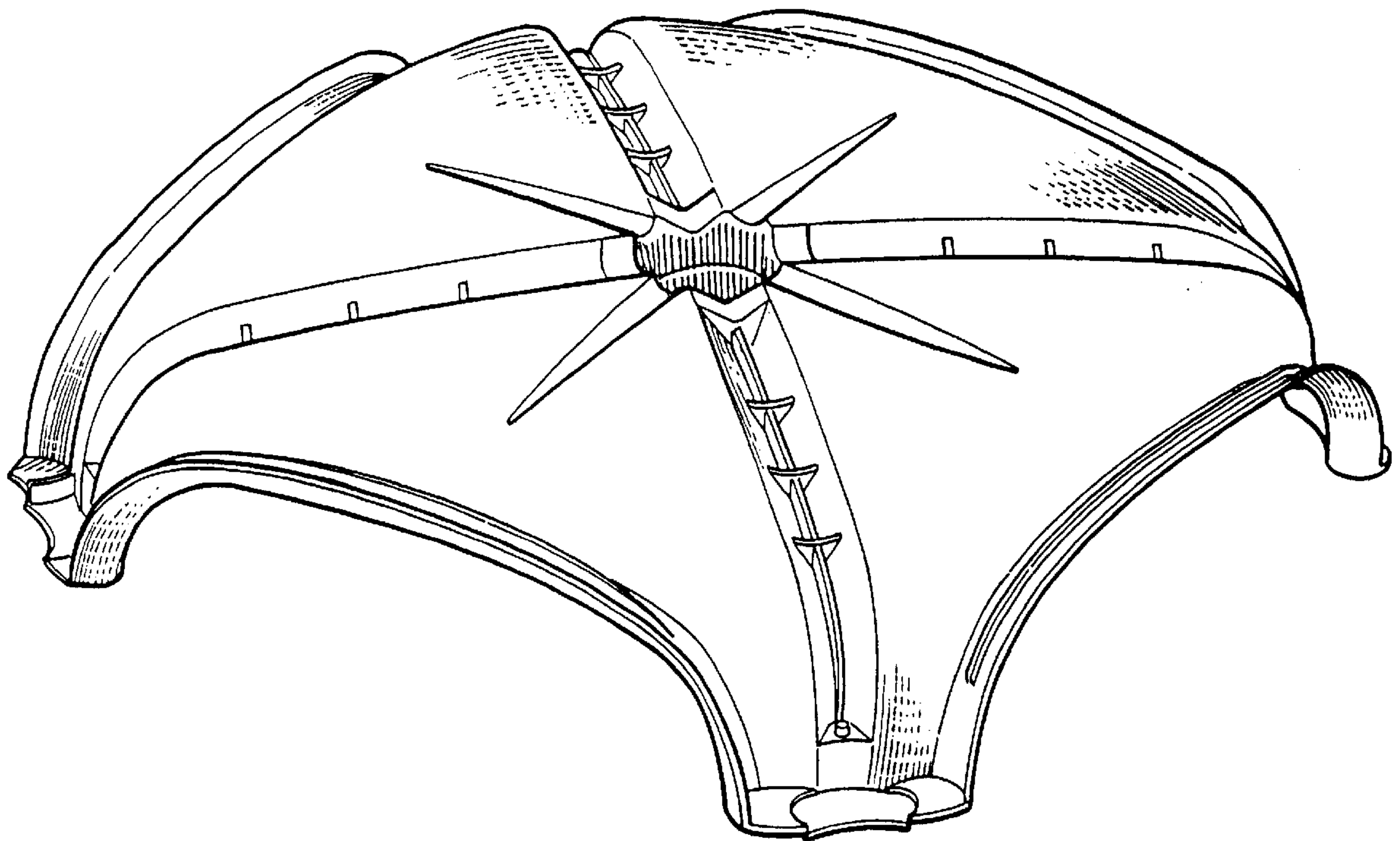
FIG. 4 is a one side view of the modular element with aeration for floors;

FIG. 5 is the other side view of the modular element with aeration for floors;

FIG. 6 is a top view of the modular element with aeration for floors; and,

FIG. 7 is a bottom view of the modular element with aeration for floors.

1 Claim, 7 Drawing Sheets



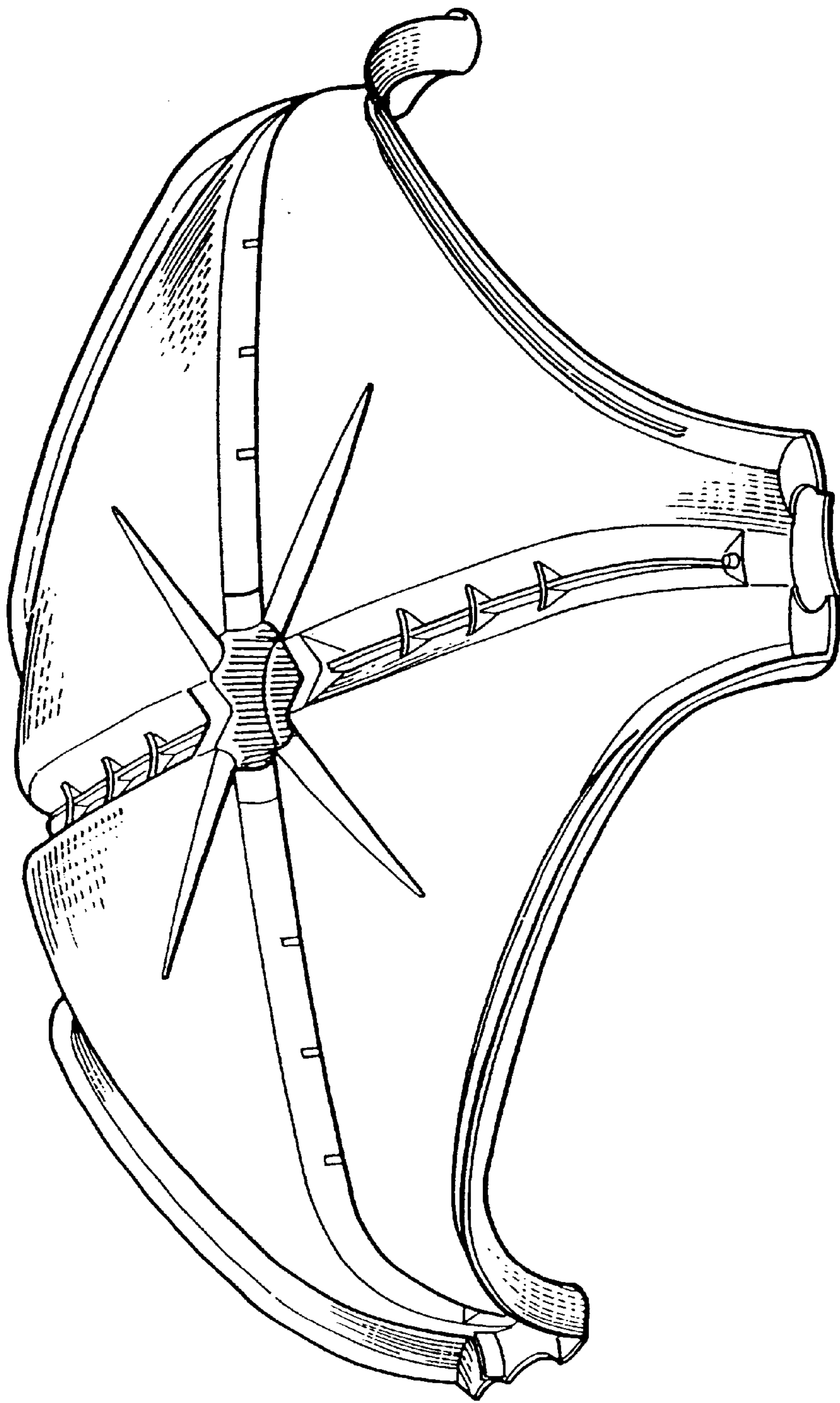


FIG. 1

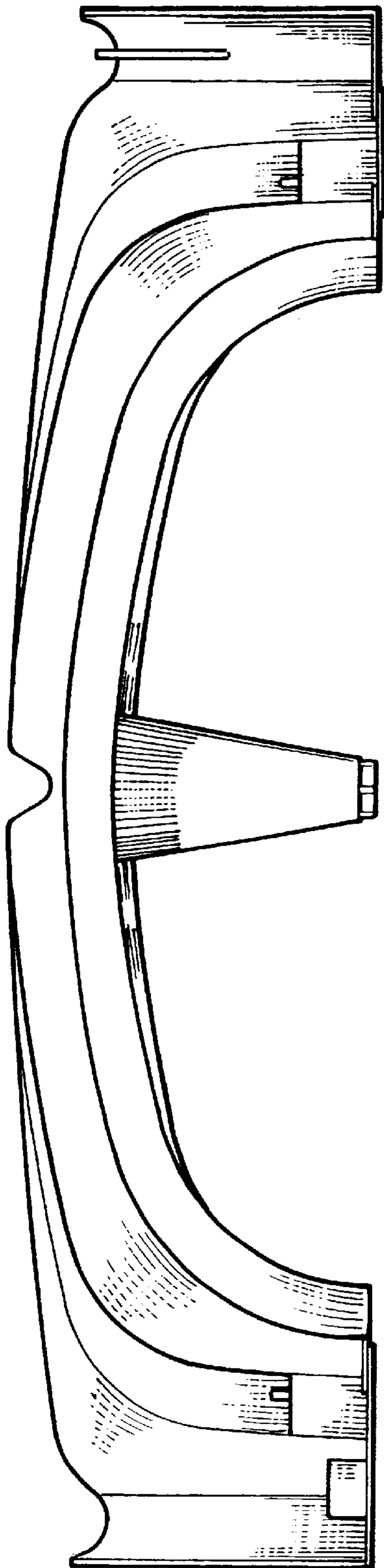


FIG. 2

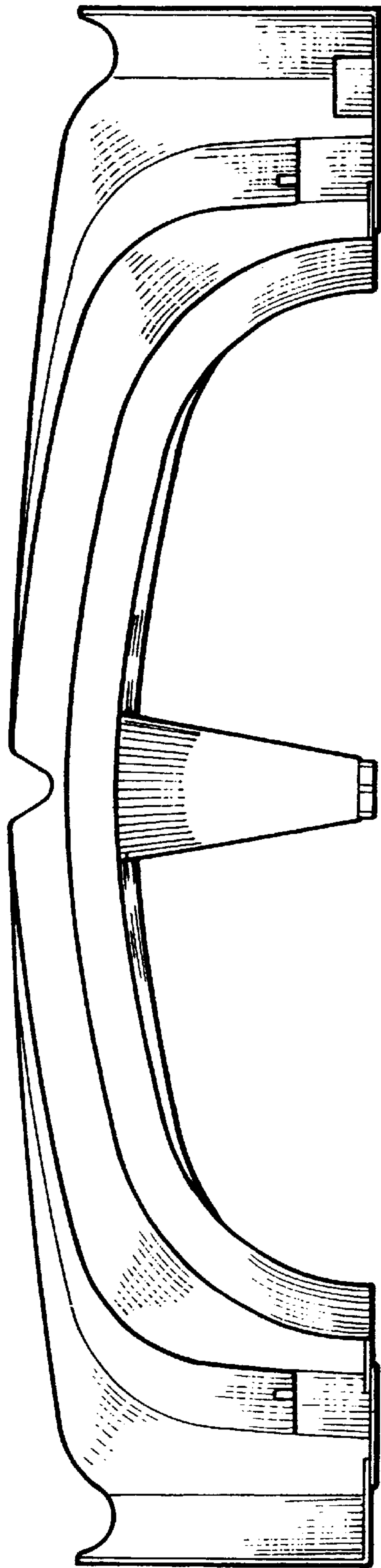


FIG. 3

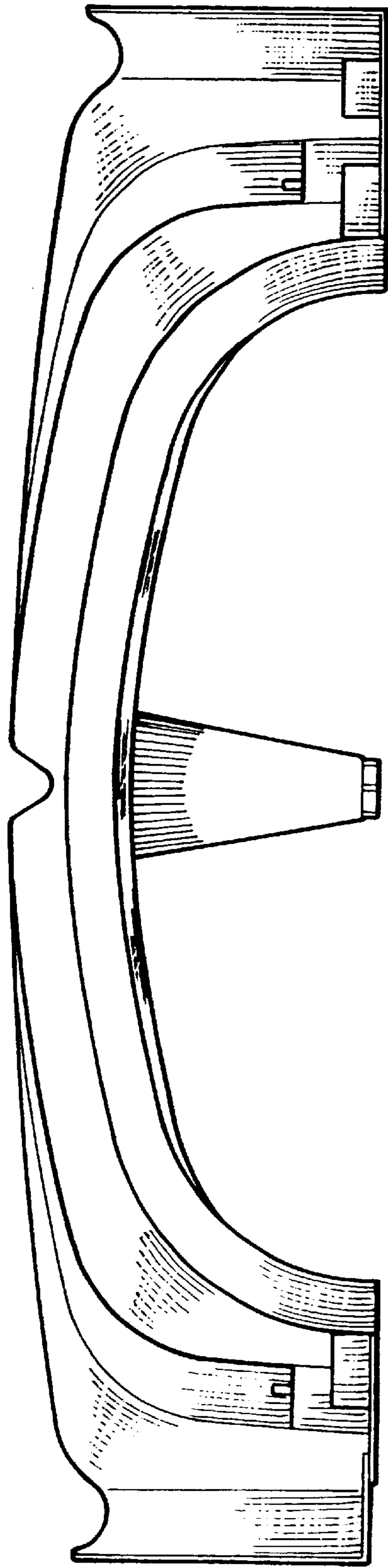


FIG. 4

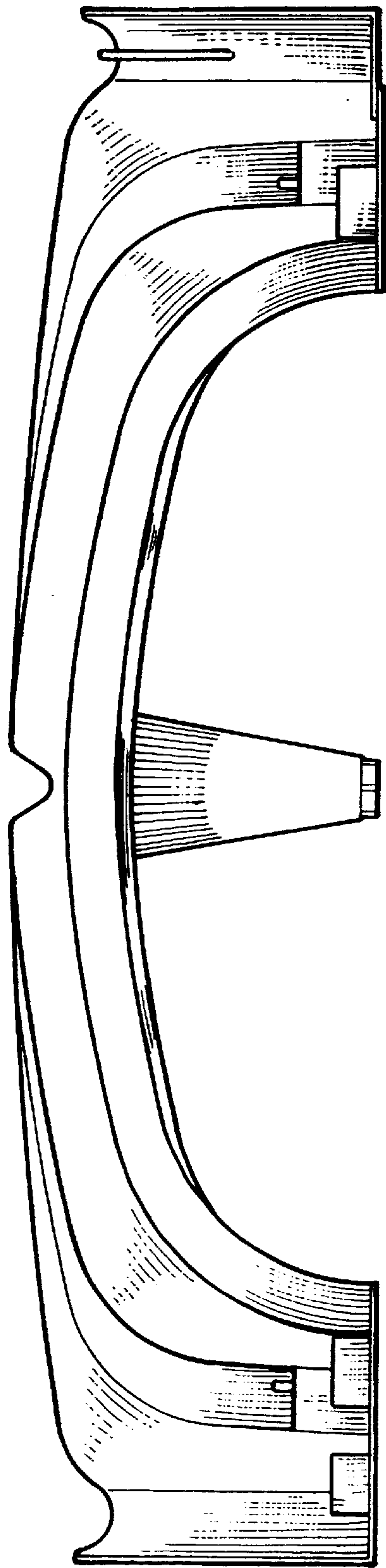


FIG. 5

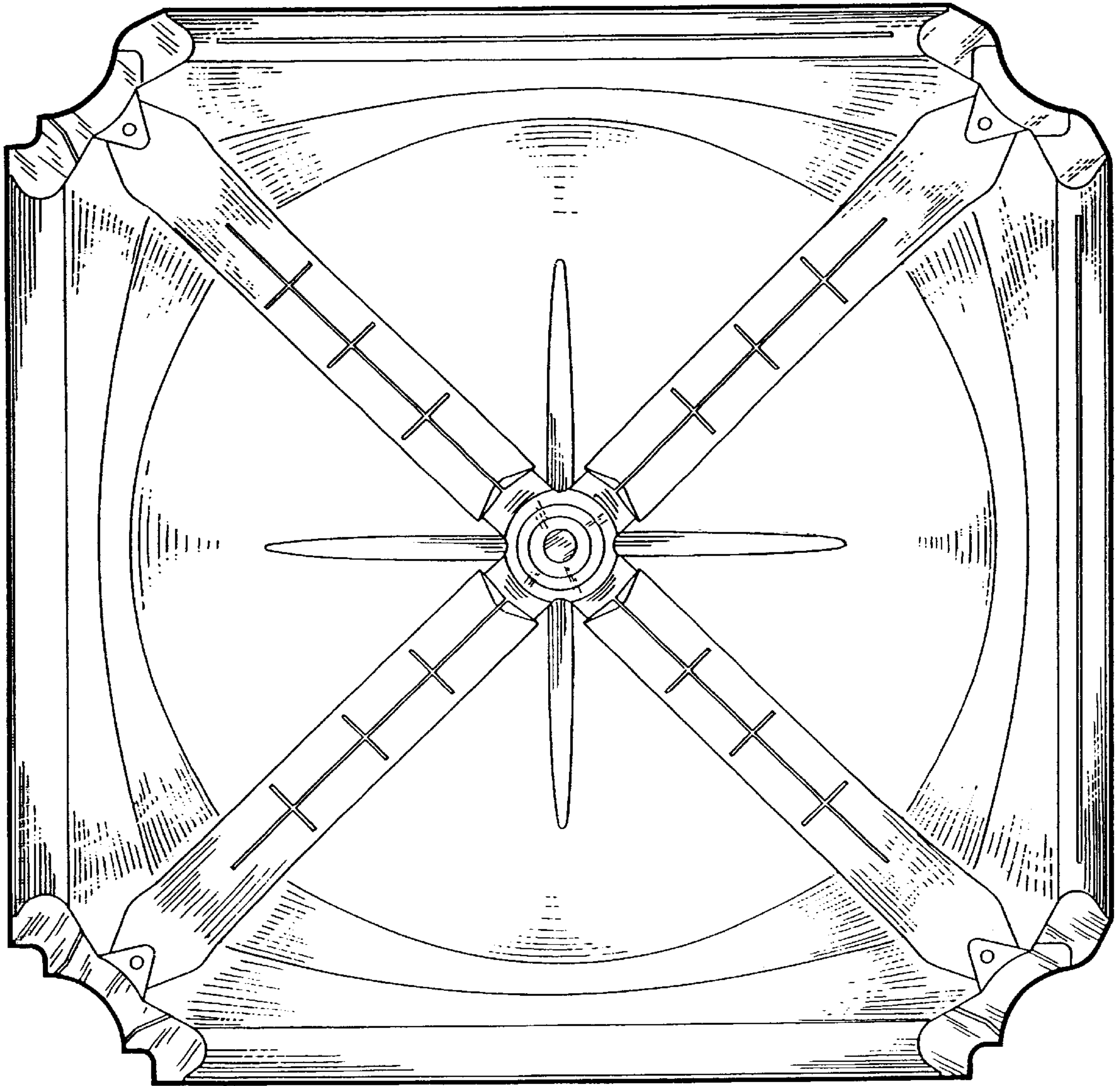


FIG. 6

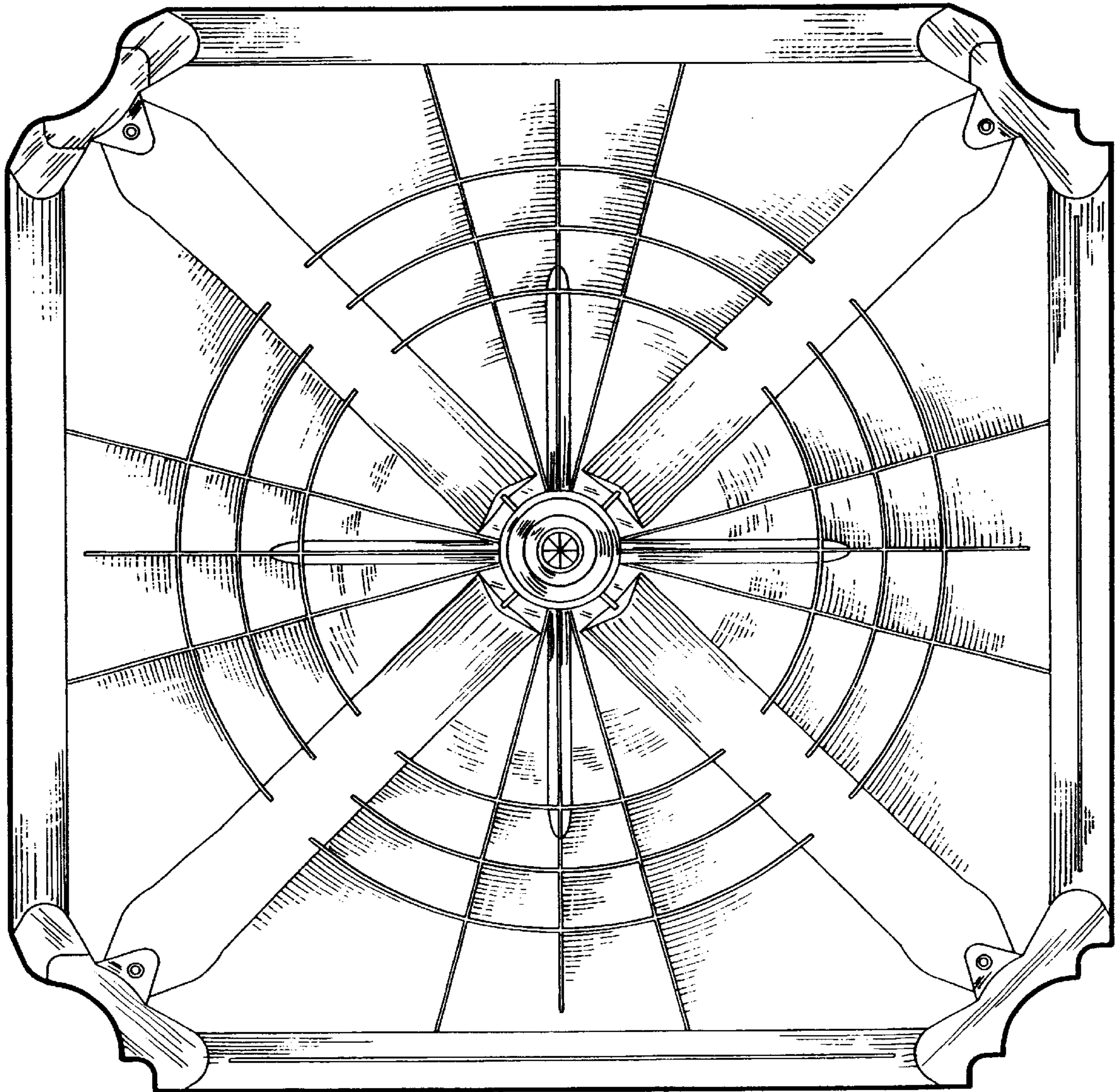


FIG. 7