



US00D463581S

(12) **United States Design Patent**
Mann

(10) **Patent No.:** **US D463,581 S**

(45) **Date of Patent:** **** Sep. 24, 2002**

(54) **FIRE SEALING STRIP**

FOREIGN PATENT DOCUMENTS

(75) Inventor: **Robert McGowan Mann**, Exeter (GB)

GB 2309728 A 8/1997
GB 2330855 A 5/1999

(73) Assignee: **Lorient Polyproducts Limited** (GB)

* cited by examiner

(**) Term: **14 Years**

Primary Examiner—Doris Clark

(21) Appl. No.: **29/145,716**

(74) *Attorney, Agent, or Firm*—Paul F. Wille

(22) Filed: **Jul. 27, 2001**

(57) **CLAIM**

(51) **LOC (7) Cl.** **25-01**

The ornamental design for a fire sealing strip, as shown and described.

(52) **U.S. Cl.** **D25/164; D25/199; D25/119**

(58) **Field of Search** 52/317, 396.01,
52/232; D25/119, 121, 136, 199, 55

DESCRIPTION

(56) **References Cited**

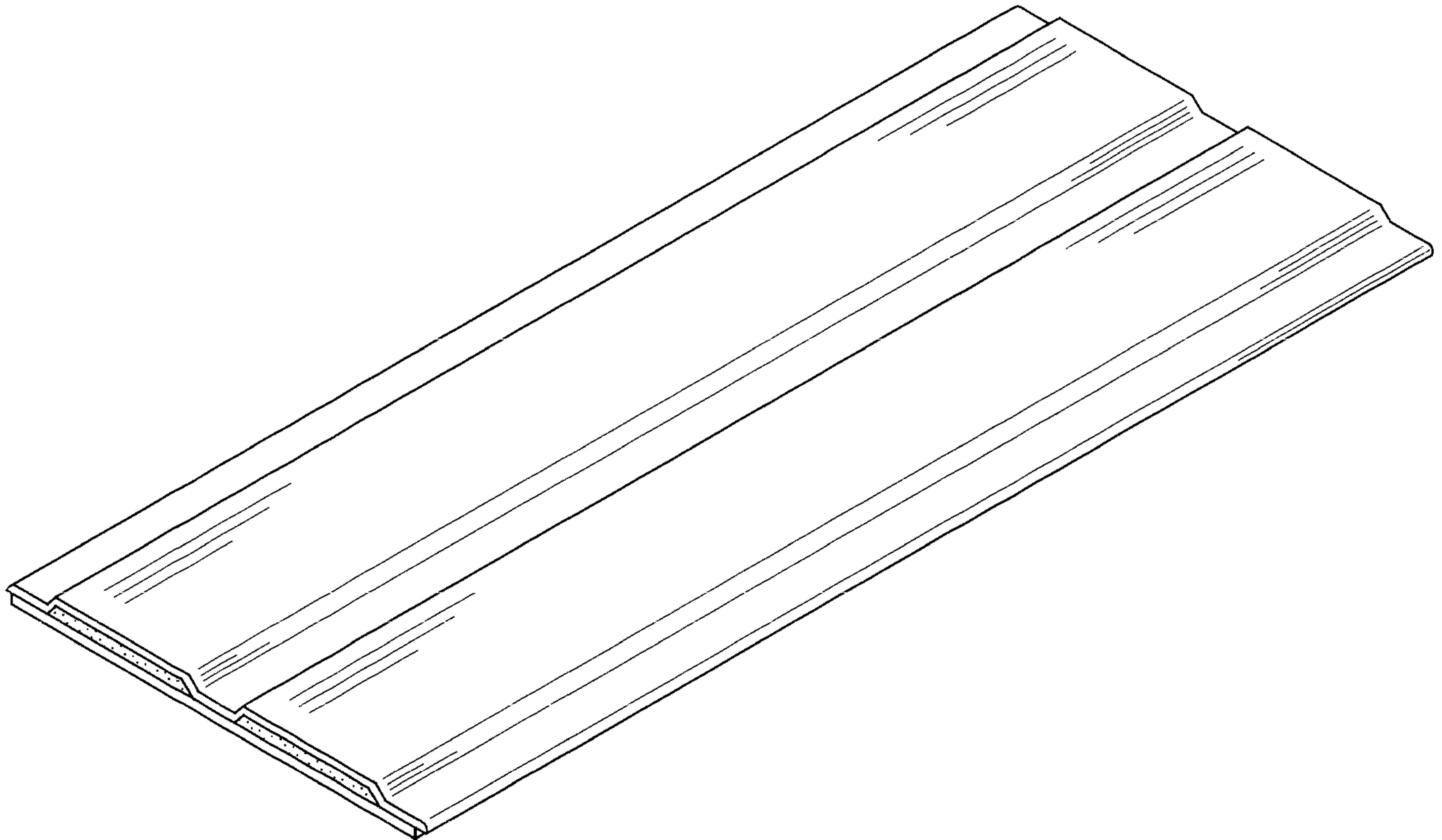
FIG. 1 is a three-quarter, perspective view of the fire sealing strip from above showing the new design; and,

FIG. 2 is a three-quarter, perspective view of the fire sealing strip from below showing the new design.

U.S. PATENT DOCUMENTS

4,144,688 A * 3/1979 Dixon 52/232
4,246,304 A * 1/1981 Dixon 52/232
D418,234 S * 12/1999 Smith, Jr. D25/164

1 Claim, 2 Drawing Sheets



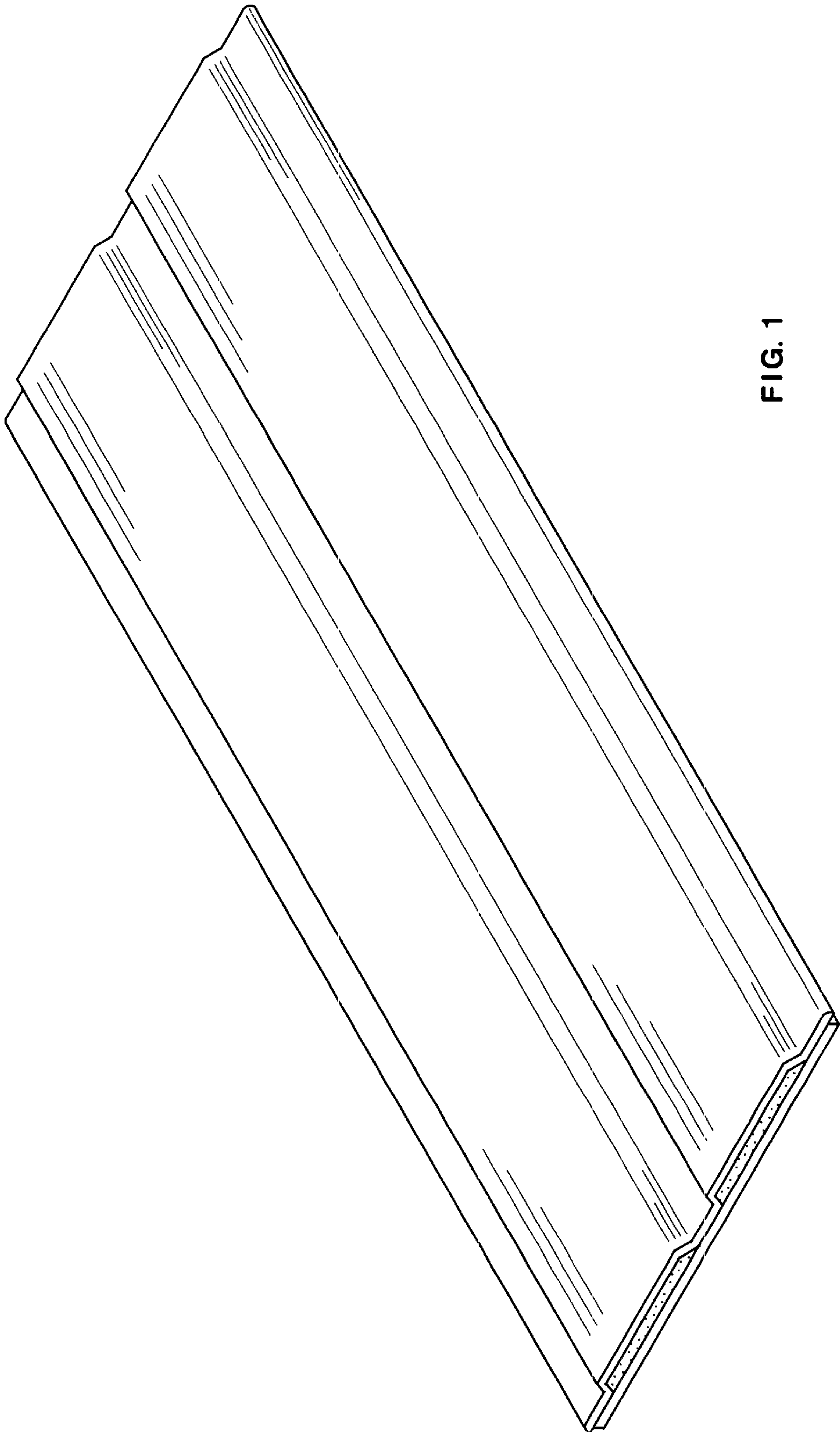


FIG. 1

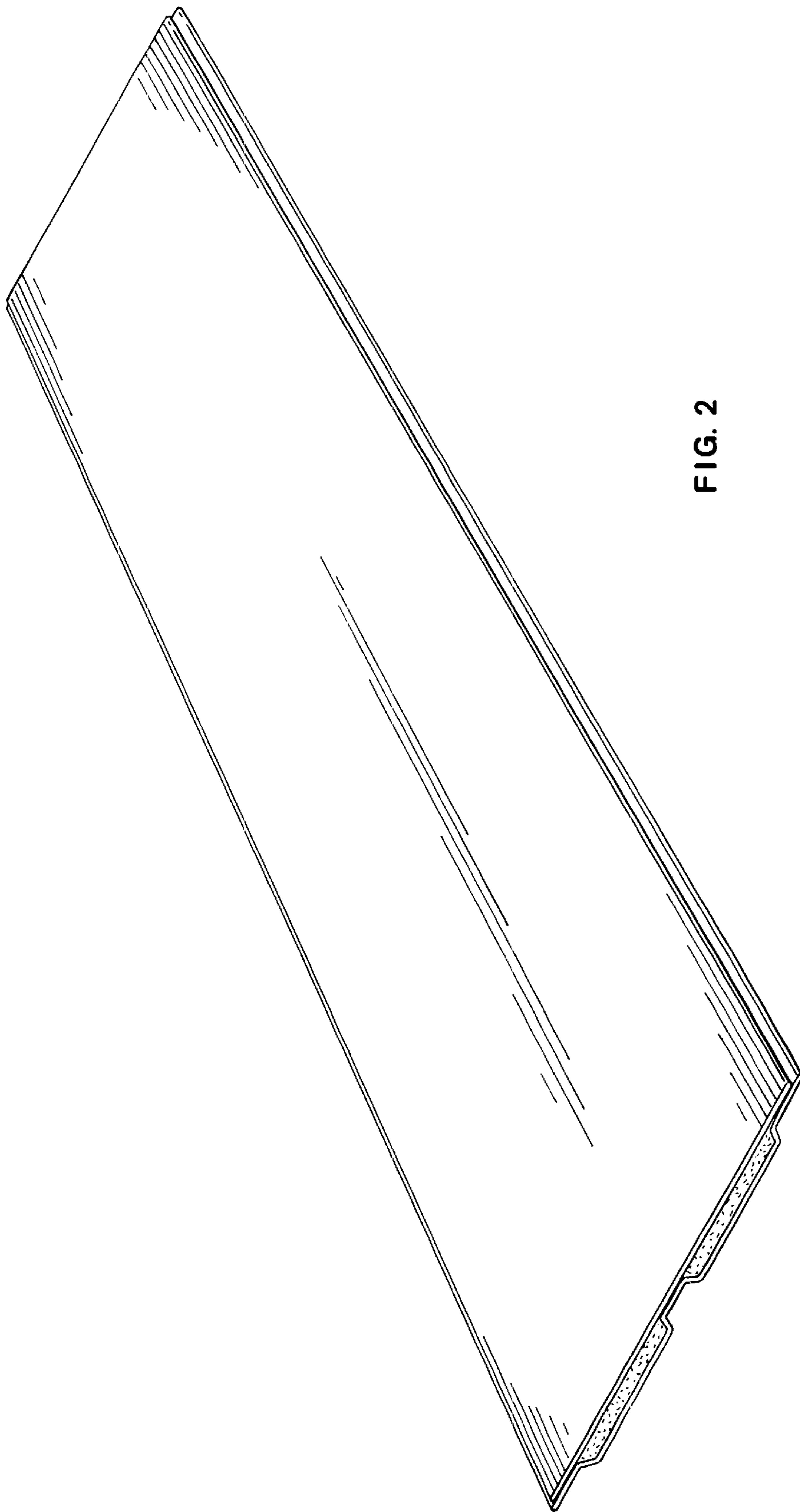


FIG. 2