



US00D463579S

(12) **United States Design Patent**
Franson

(10) **Patent No.:** **US D463,579 S**

(45) **Date of Patent:** **** Sep. 24, 2002**

(54) **WINDOW COMPONENT EXTRUSION**

(75) Inventor: **Jeffrey R. Franson**, Maple Valley, WA (US)

(73) Assignee: **Mikron Industries, Inc.**, Kent, WA (US)

(**) Term: **14 Years**

(21) Appl. No.: **29/153,668**

(22) Filed: **Jan. 10, 2002**

(51) **LOC (7) Cl.** **25-01**

(52) **U.S. Cl.** **D25/124**

(58) **Field of Search** D25/52, 60, 119-125; 49/DIG. 2, 504-505, 404, 413, 419, 407, 408; 52/204.56, 204.51, 730.3, 205.1, 202

(56) **References Cited**

U.S. PATENT DOCUMENTS

D423,120 S 4/2000 Cole
D427,331 S * 6/2000 Goss D25/124

OTHER PUBLICATIONS

Jeffrey R. Franson, Mikron Part No. 7171, First Drawn: May 5, 1995, First Sold: Nov. 15, 1995.

Teresa A. Oliver, Mikron Part No. 7740, First Drawn: Jun. 12, 1998, First Sold: Oct. 19, 1998.

* cited by examiner

Primary Examiner—Doris Clark

(74) *Attorney, Agent, or Firm*—Richardson & Folise

(57) **CLAIM**

The ornamental design for a window component extrusion, as shown and described.

DESCRIPTION

FIG. 1 is a top right perspective view of the window component extrusion which is broken in the center indicating indefinite length; and,

FIG. 2 is a bottom left perspective view of the window component extrusion shown in FIG. 1.

1 Claim, 1 Drawing Sheet

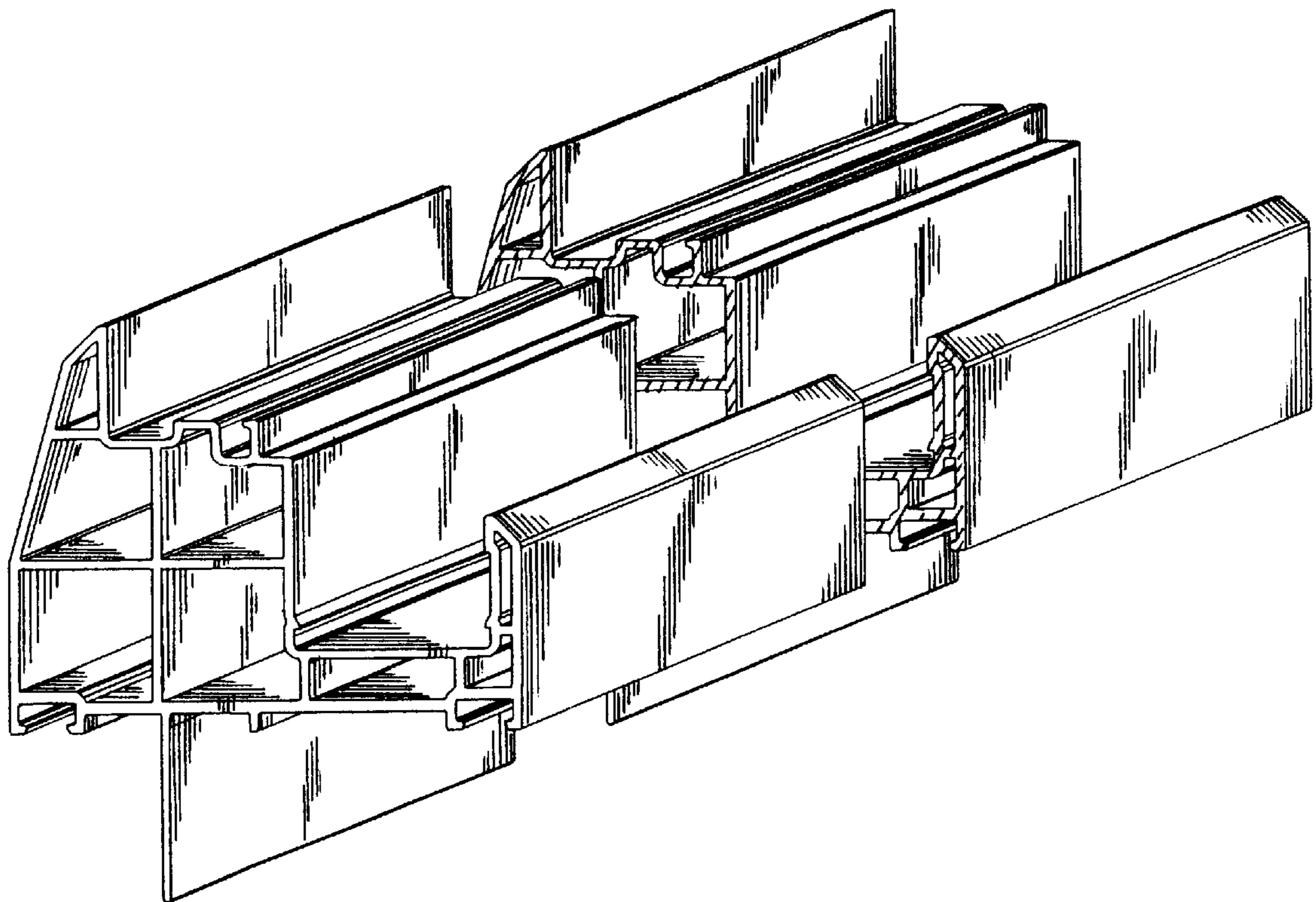


FIG. 1

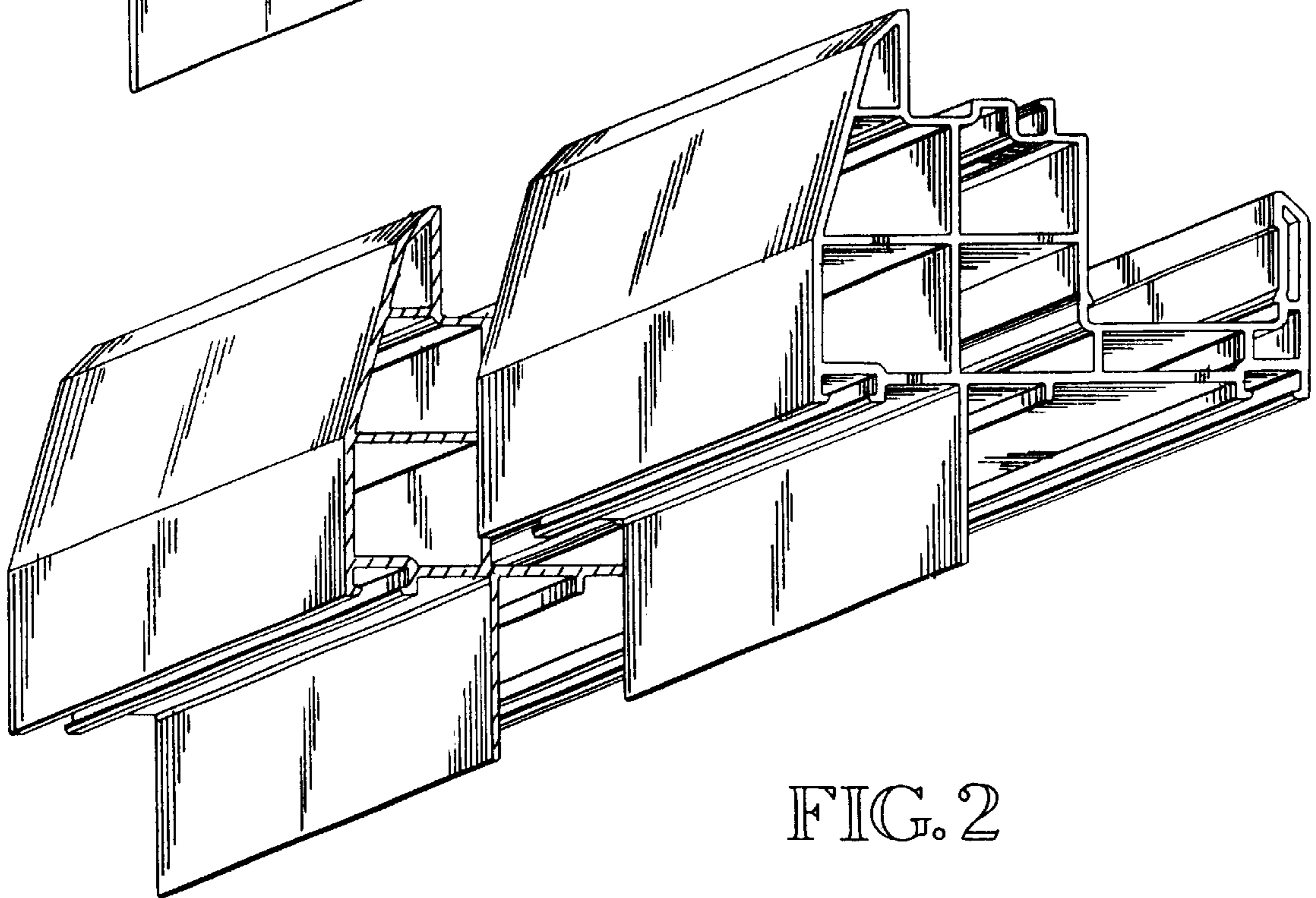
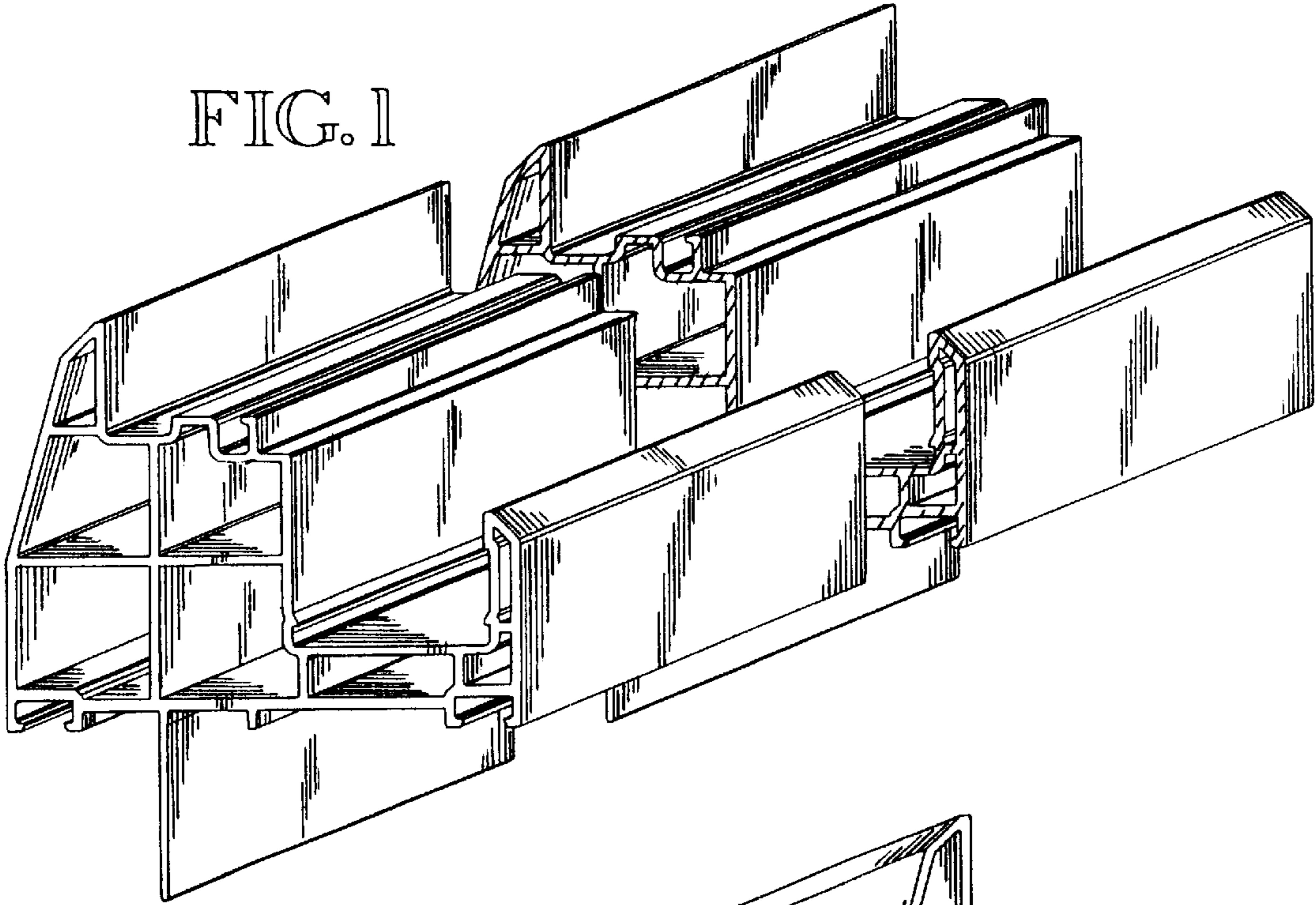


FIG. 2