



US00D463578S

(12) **United States Design Patent**
Wall

(10) **Patent No.:** **US D463,578 S**

(45) **Date of Patent:** **** Sep. 24, 2002**

(54) **SHEET PILE**

D245,869 S * 9/1977 Otani D25/121
6,042,306 A * 3/2000 Arndts et al. 405/279

(76) **Inventor:** **Georg Wall, Hans-Graessel-Weg 20,
D-81375 Munich (DE)**

* cited by examiner

(**) **Term:** **14 Years**

Primary Examiner—Doris Clark
(74) *Attorney, Agent, or Firm*—Milde & Hoffberg, LLP

(21) **Appl. No.:** **29/150,512**

(57) **CLAIM**

(22) **Filed:** **Nov. 6, 2001**

The ornamental design for a sheet pile, as shown and described.

(30) **Foreign Application Priority Data**

Jun. 25, 2001 (DE) 401 05 737

DESCRIPTION

(51) **LOC (7) Cl.** **25-01**

FIG. 1 is a perspective view of the sheet pile according to my design.

(52) **U.S. Cl.** **D25/121**

FIG. 2 is a top view of the sheet pile of FIG. 1.

(58) **Field of Search** 405/274-279,

FIG. 3 is an end view of the sheet pile of FIG. 1.

405/231, 252.1; 52/169.7; 24/573.09; D25/61,
126, 121

FIG. 4 is a side view of the sheet pile of FIG. 1; and,

FIG. 5 is a bottom view of the sheet pile of FIG. 1.

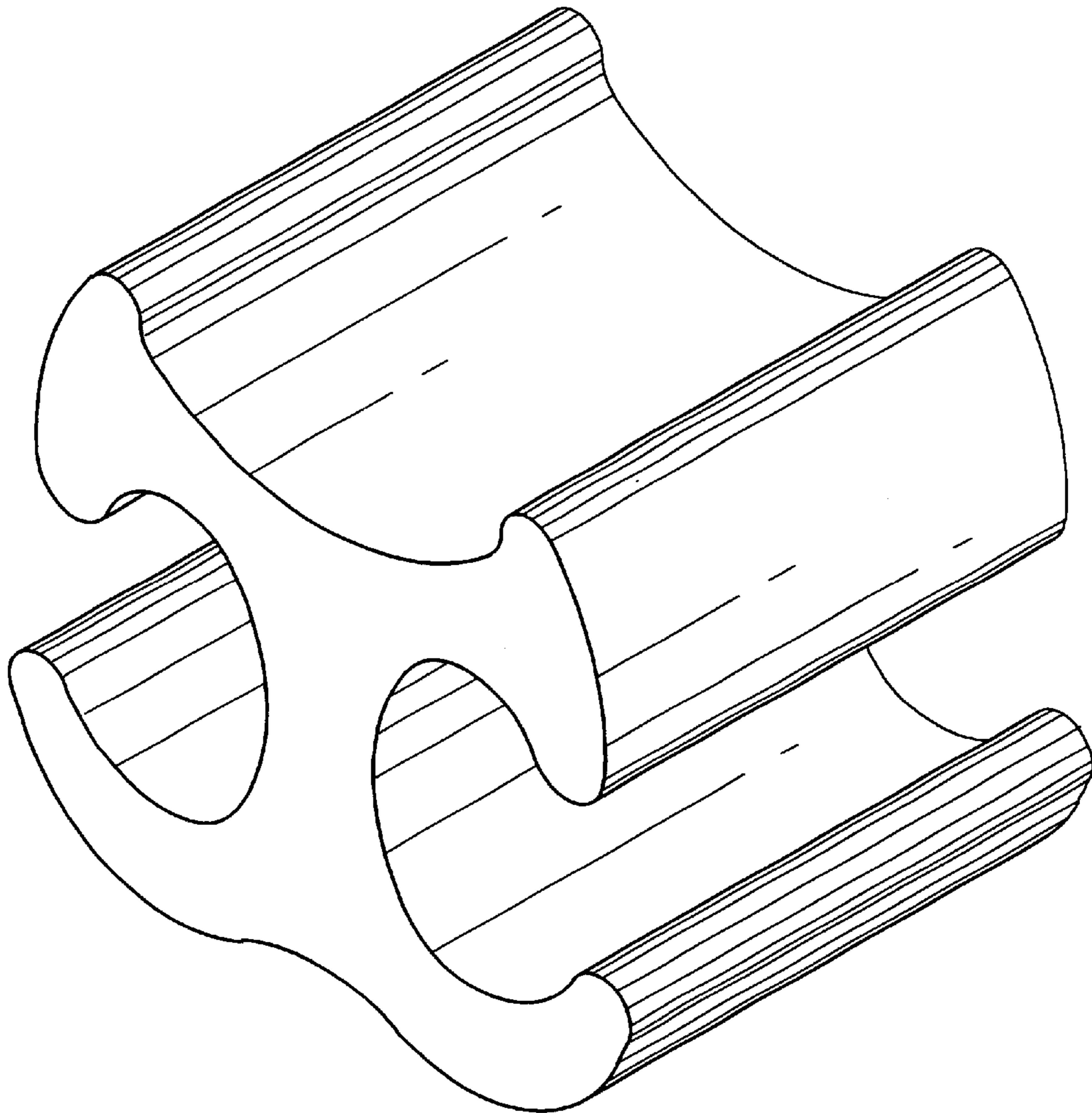
(56) **References Cited**

The claimed design is shown fragmented on one end to indicate indefinite length.

U.S. PATENT DOCUMENTS

D223,236 S * 4/1972 Watanabe et al. D25/126

1 Claim, 2 Drawing Sheets



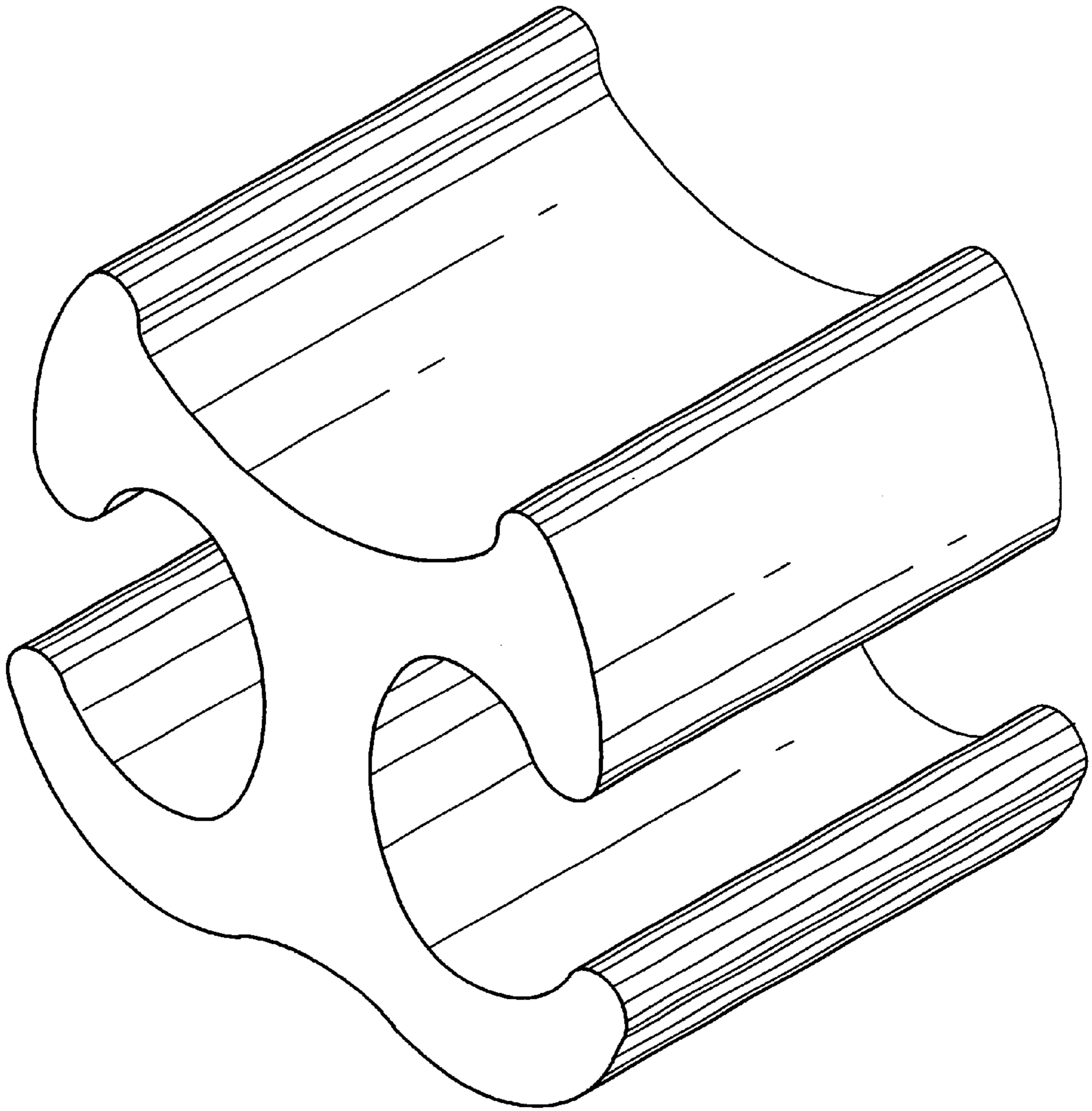


FIG.1

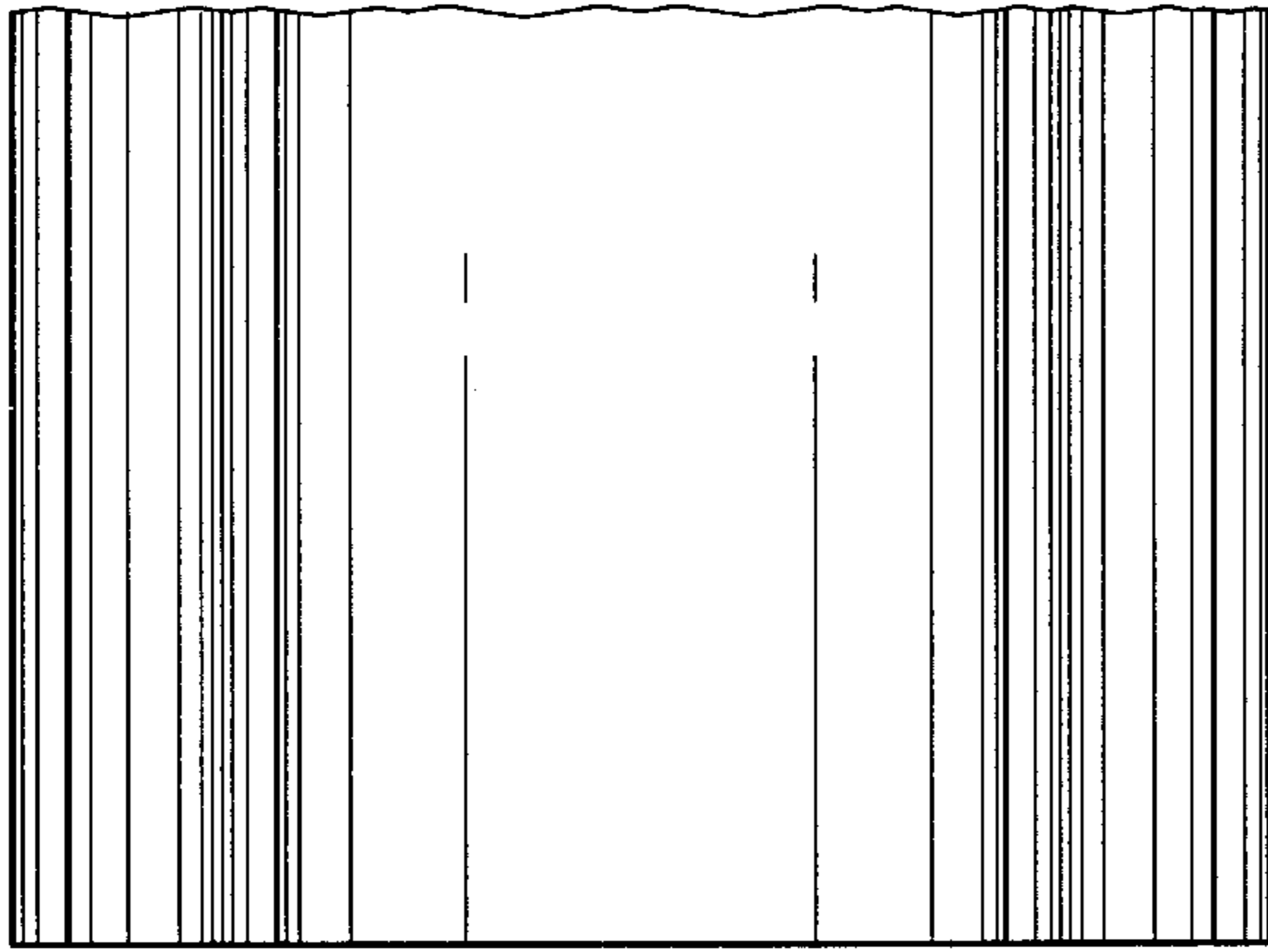


FIG. 2

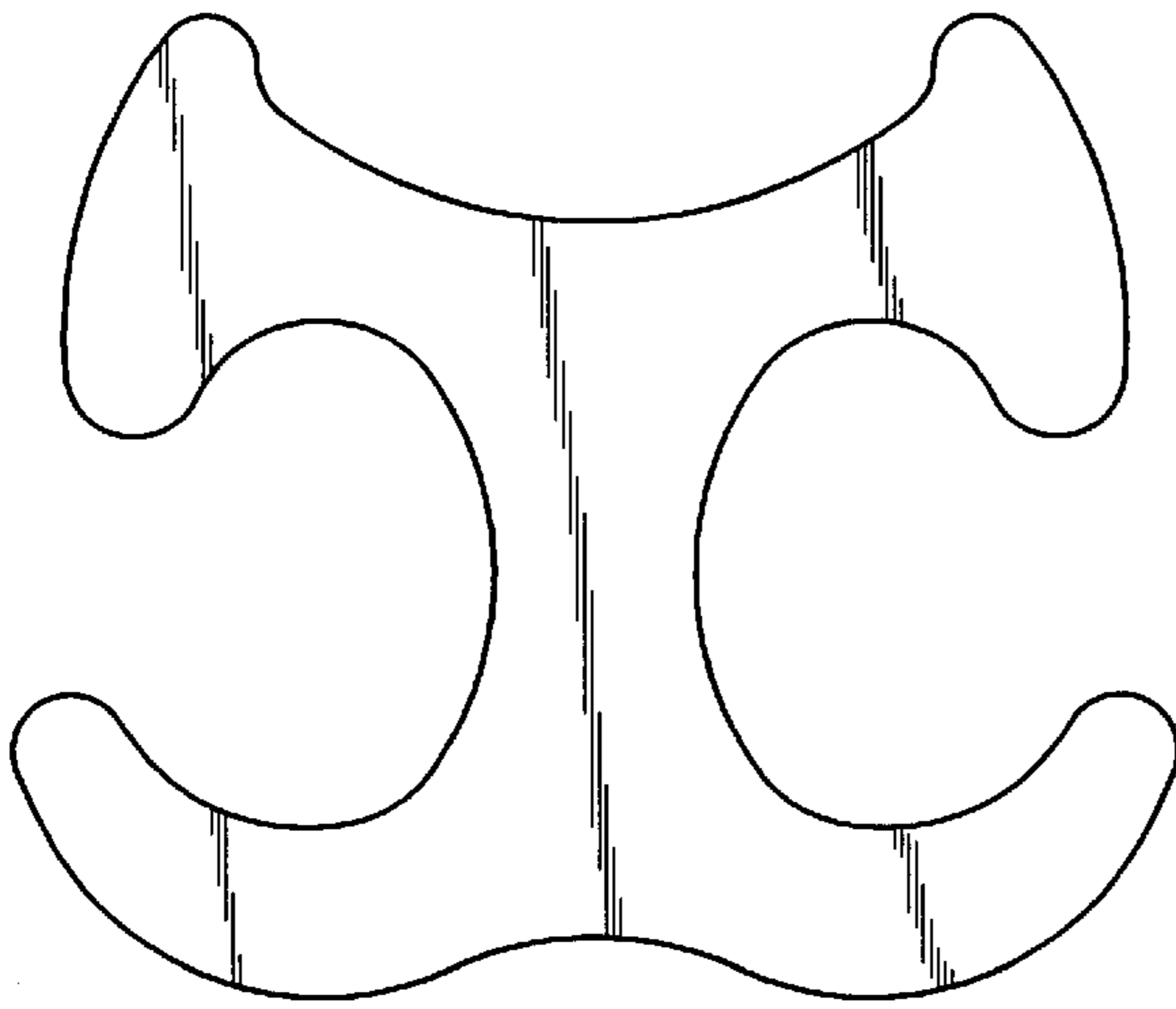


FIG. 3

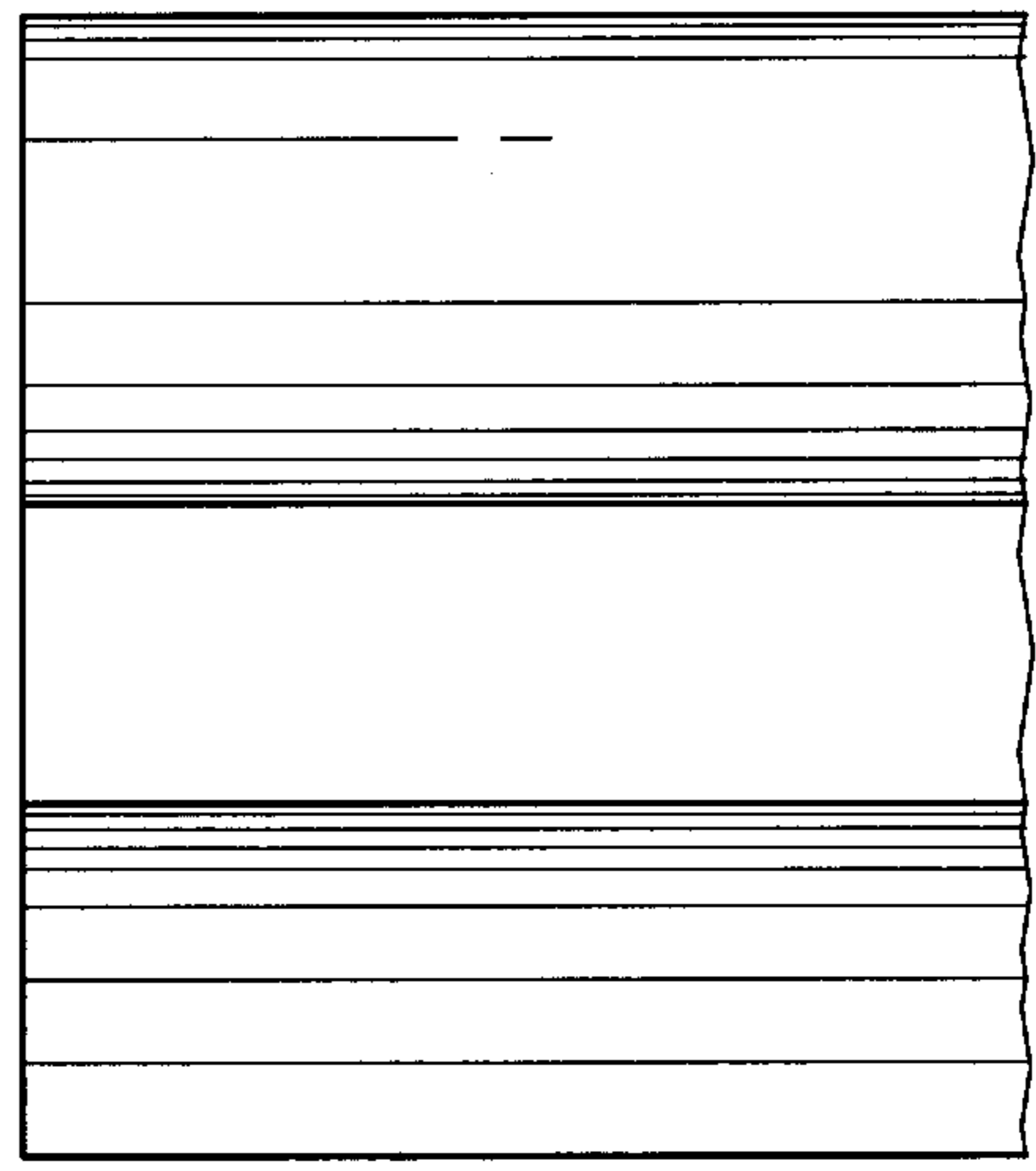


FIG. 4

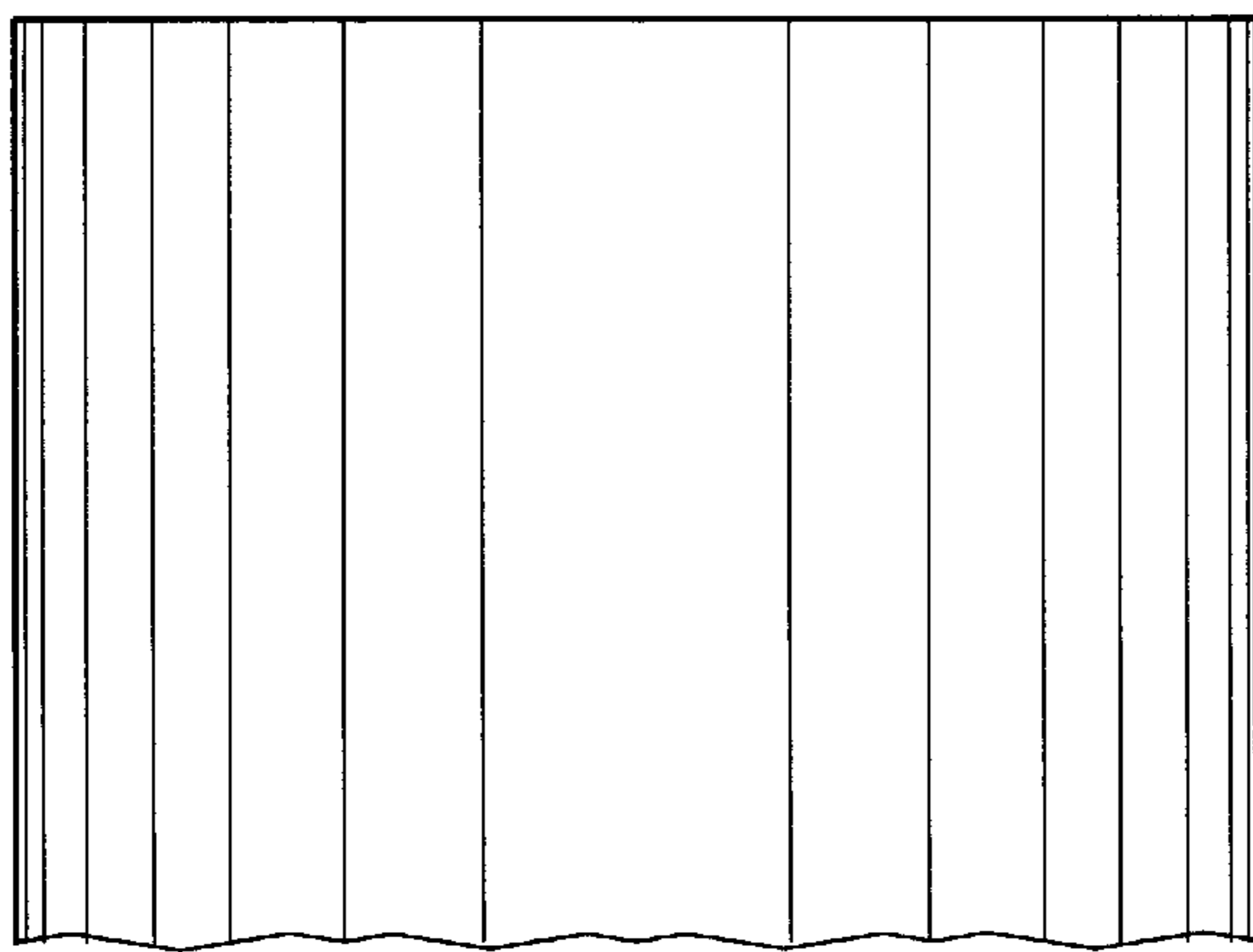


FIG. 5