



US00D463574S

(12) **United States Design Patent** (10) **Patent No.:** **US D463,574 S**
Yoder (45) **Date of Patent:** **** Sep. 24, 2002**

(54) **WOOD TRIM CONNECTOR PIECE**

(76) Inventor: **Noah L. Yoder**, 4208 State Rte. 557,
Millersburg, OH (US) 44654

(**) Term: **14 Years**

(21) Appl. No.: **29/151,514**

(22) Filed: **Dec. 3, 2001**

(51) **LOC (7) Cl.** **25-02**

(52) **U.S. Cl.** **D25/55; D25/136**

(58) **Field of Search** 52/287.1, 718.01,
52/212; D25/136, 55; 428/4

(56) **References Cited**

U.S. PATENT DOCUMENTS

1,765,931	A	6/1930	McMillen	
2,223,338	A	12/1940	Curren	
2,727,596	A	12/1955	Smith	
D210,821	S	* 4/1968	Stone D28/136
5,042,220	A	8/1991	Jackson	
5,526,618	A	6/1996	Thomas	
5,675,952	A	10/1997	French	
D403,449	S	* 12/1998	Searer D25/136
D404,834	S	* 1/1999	Lliadis D25/55
5,941,033	A	8/1999	Adams	
5,966,891	A	10/1999	Fagan et al.	
6,047,507	A	4/2000	Lappin et al.	

* cited by examiner

Primary Examiner—Doris Clark
(74) *Attorney, Agent, or Firm*—Sand & Sebolt

(57) **CLAIM**

The ornamental design for a wood trim connector piece, as shown and described.

DESCRIPTION

FIG. 1 is a perspective view of a first embodiment of the wood trim connector piece showing a first cut-out profile in a side wall;

FIG. 2 is a front view thereof showing, in phantom which forms no part of the claimed design, two pieces of wood trim disposed in the connector piece, the wood trim being joined in a straight joint with each other by the connector piece;

FIG. 3 is a top plan view thereof;

FIG. 4 is a right side view thereof;

FIG. 5 is a left side view thereof;

FIG. 6 is a bottom view thereof;

FIG. 7 is a rear view thereof showing, in phantom which forms no part of the claimed design, two pieces of wood trim disposed in a straight joint in the connector piece.

FIG. 8 is a perspective view of a second embodiment of the wood trim connector piece having the first cut-out profile in a side wall;

FIG. 9 is a front view thereof showing, in phantom which forms no part of the claimed design, two pieces of wood trim disposed in the connector piece, the wood trim being joined together in an angled joint by the connector piece;

FIG. 10 is a top plan view thereof;

FIG. 11 is a right side view thereof;

FIG. 12 is a left side view thereof;

FIG. 13 is a bottom view thereof;

FIG. 14 is a rear view thereof showing, in phantom which forms no part of the claimed design, two pieces of wood disposed in the connector piece.

FIG. 15 is a perspective view of a third embodiment of the wood trim connector piece showing a second cut-out profile in a side wall;

FIG. 16 is a front view thereof showing, in phantom which forms no part of the claimed design, two pieces of wood trim disposed in the connector piece, the wood trim being joined together in a straight joint by the connector piece;

FIG. 17 is a top plan view thereof;

FIG. 18 is a right side view thereof;

FIG. 19 is a left side view thereof;

FIG. 20 is a bottom view thereof;

FIG. 21 is a rear view thereof showing, in phantom which forms no part of the claimed design, two pieces of wood disposed in the connector piece;

FIG. 22 is a perspective view of a fourth embodiment of the wood trim connector piece having a second cut-out profile;

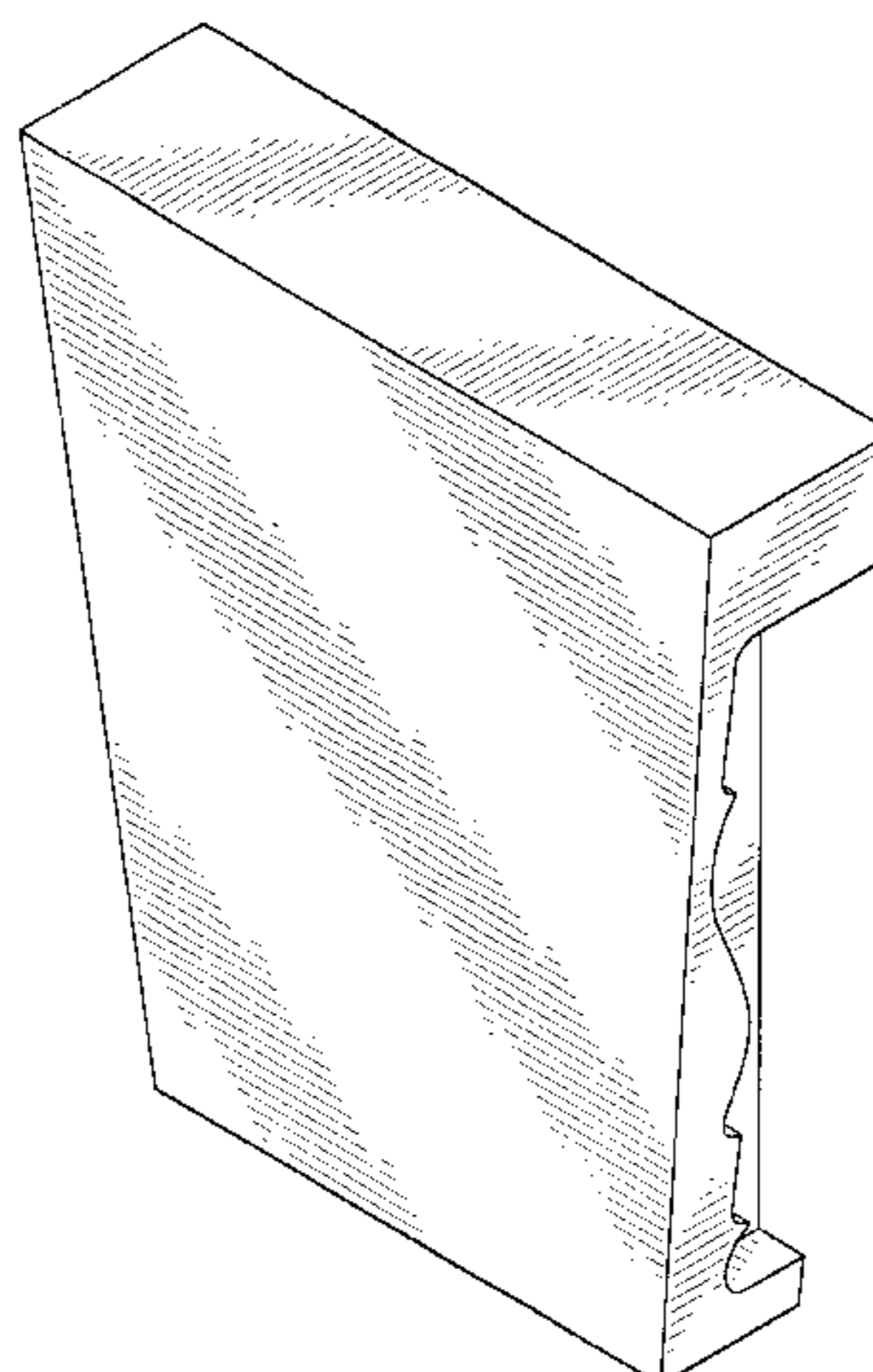


FIG. 23 is a front view thereof showing, in phantom which forms no part of the claimed design, two pieces of wood trim disposed in the connector piece, the wood trim being joined together in an angled joint by the connector piece;

FIG. 24 is a top plan view thereof;

FIG. 25 is a right side view thereof;

FIG. 26 is a left side view thereof;

FIG. 27 is a bottom view thereof;

FIG. 28 is a rear view thereof showing, in phantom which forms no part of the claimed design, two pieces of wood disposed in the connector piece.

FIG. 29 is a perspective view of a fourth embodiment of the wood trim connector piece showing a third cut-out profile in a side wall;

FIG. 30 is a front view thereof showing, in phantom which forms no part of the claimed design, two pieces of wood trim disposed in the connector piece, the wood trim being joined together in a straight joint by the connector piece;

FIG. 31 is a top plan view thereof;

FIG. 32 is a right side view thereof;

FIG. 33 is a left side view thereof;

FIG. 34 is a bottom view thereof;

FIG. 35 is a rear view thereof showing, in phantom which forms no part of the claimed design, two pieces of wood disposed in the connector piece.

FIG. 36 is a perspective view of a fifth embodiment of the wood trim connector piece having the third cut-out profile in a side wall;

FIG. 37 is a front view thereof showing, in phantom which forms no part of the claimed design, two pieces of wood trim disposed in the connector piece, the wood trim being joined together in an angled joint by the connector piece;

FIG. 38 is a top plan view thereof;

FIG. 39 is a right side view thereof;

FIG. 40 is a left side view thereof;

FIG. 41 is a bottom view thereof;

FIG. 42 is a rear view thereof showing, in phantom which forms no part of the claimed design, two pieces of wood disposed in the connector piece.

FIG. 43 is a perspective view of a sixth embodiment of the wood trim connector piece having a fourth cut-out profile in a side wall;

FIG. 44 is a front view thereof showing, in phantom which forms no part of the claimed design, two pieces of wood trim disposed in the connector piece, the wood trim being joined together in a straight joint by the connector piece;

FIG. 45 is a top plan view thereof;

FIG. 46 is a right side view thereof;

FIG. 47 is a left side view thereof;

FIG. 48 is a bottom view thereof;

FIG. 49 is a rear view thereof showing, in phantom which forms no part of the claimed design, two pieces of wood disposed in the connector piece.

FIG. 50 is a perspective view of a seventh embodiment of the wood trim connector piece having a fourth cut-out profile;

FIG. 51 is a front view thereof showing, in phantom which forms no part of the claimed design, two pieces of wood trim disposed in the connector piece, the wood trim being joined together in a straight joint by the connector piece;

FIG. 52 is a top plan view thereof;

FIG. 53 is a right side view thereof;

FIG. 54 is a left side view thereof;

FIG. 55 is a bottom view thereof; and,

FIG. 56 is a rear view thereof showing, in phantom which forms no part of the claimed design, two pieces of wood disposed in the connector piece.

1 Claim, 16 Drawing Sheets

FIG-1

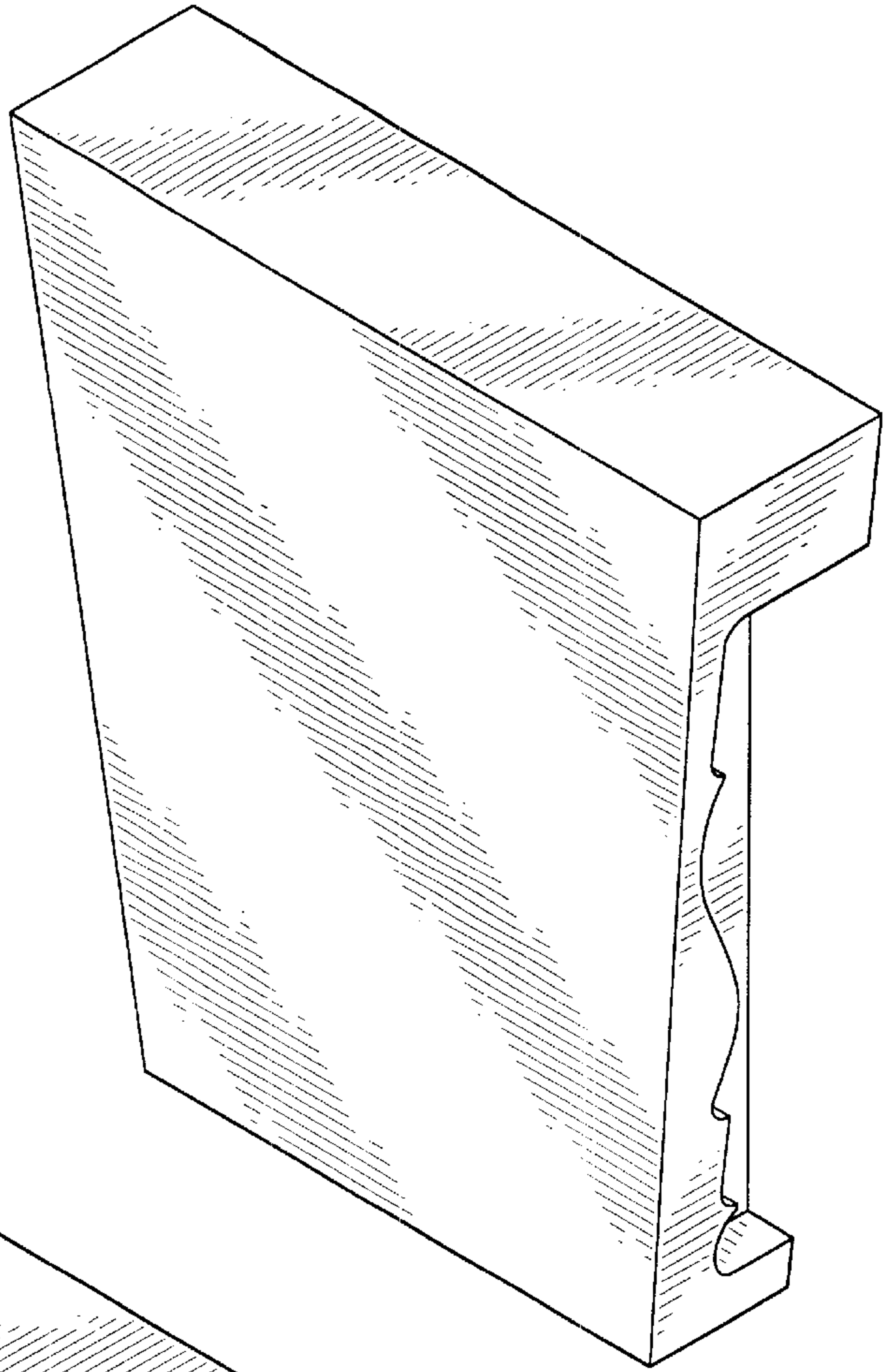
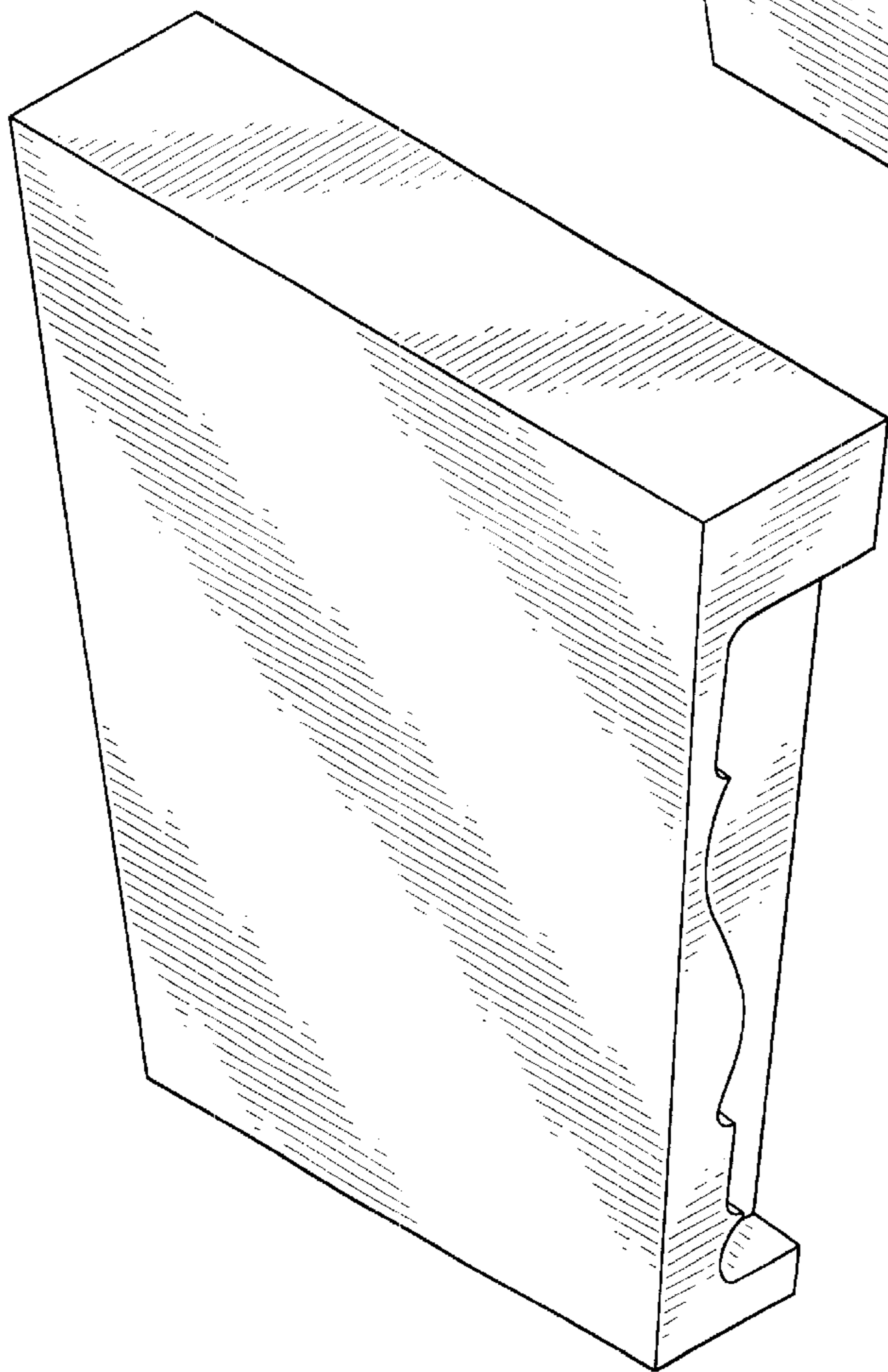


FIG-8



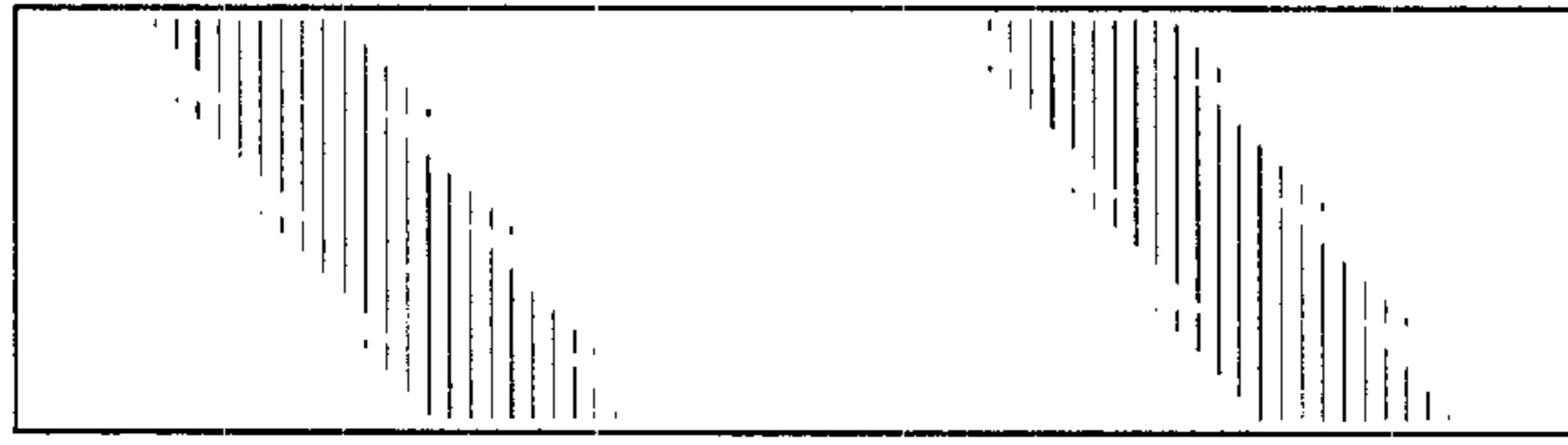


FIG-3

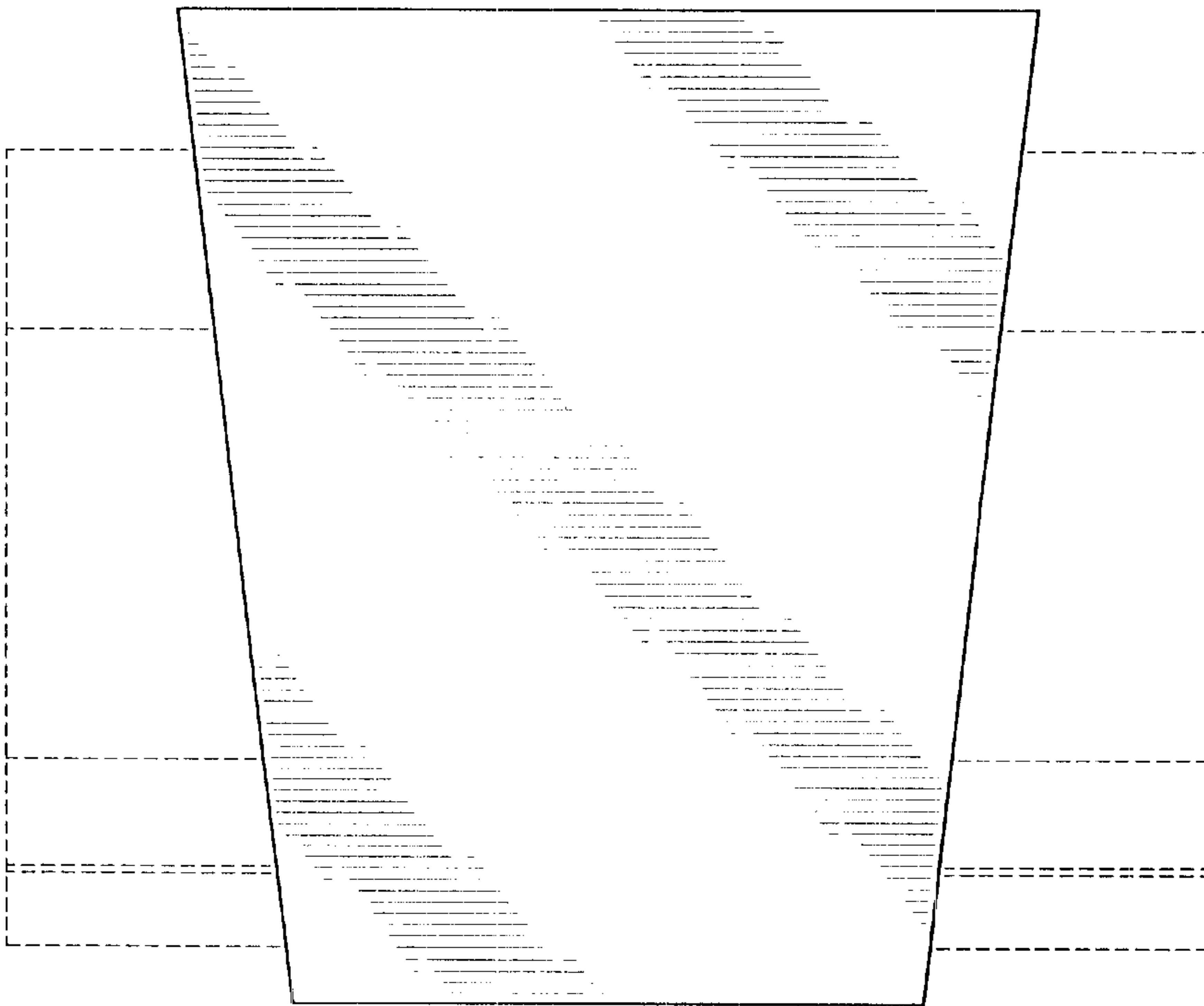


FIG-2

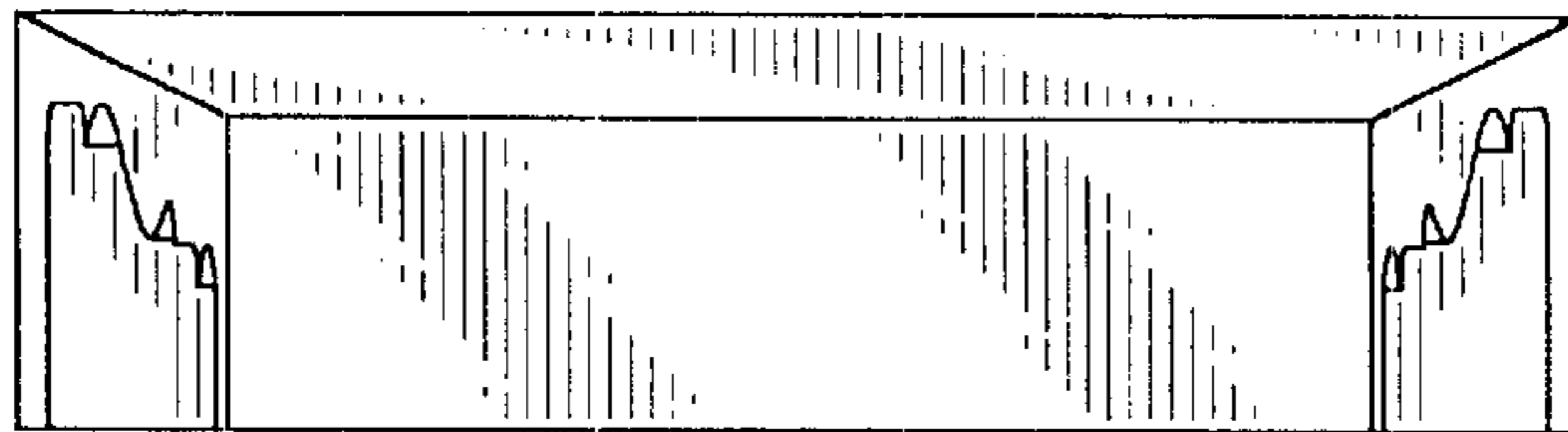


FIG-6

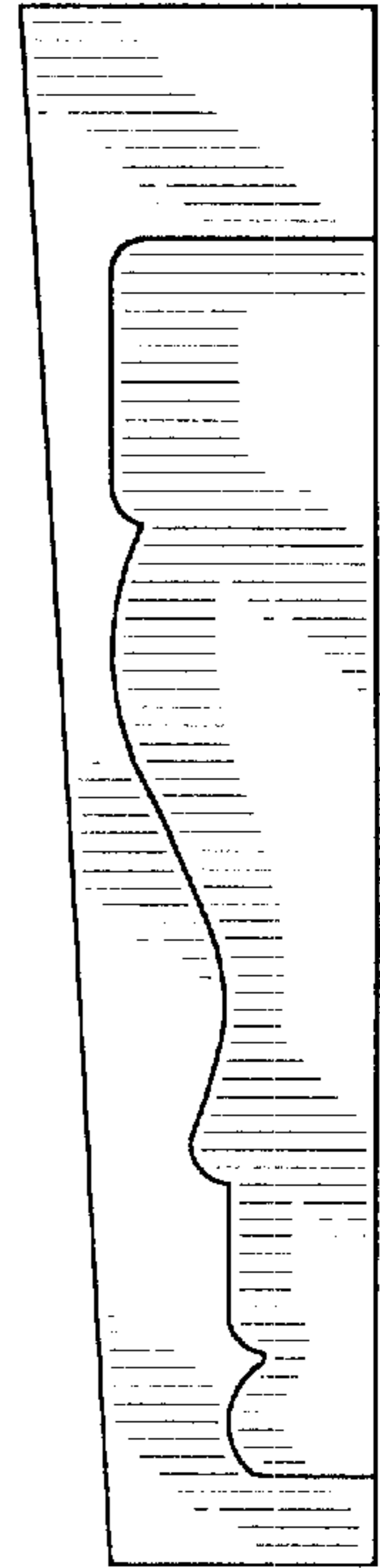


FIG-4

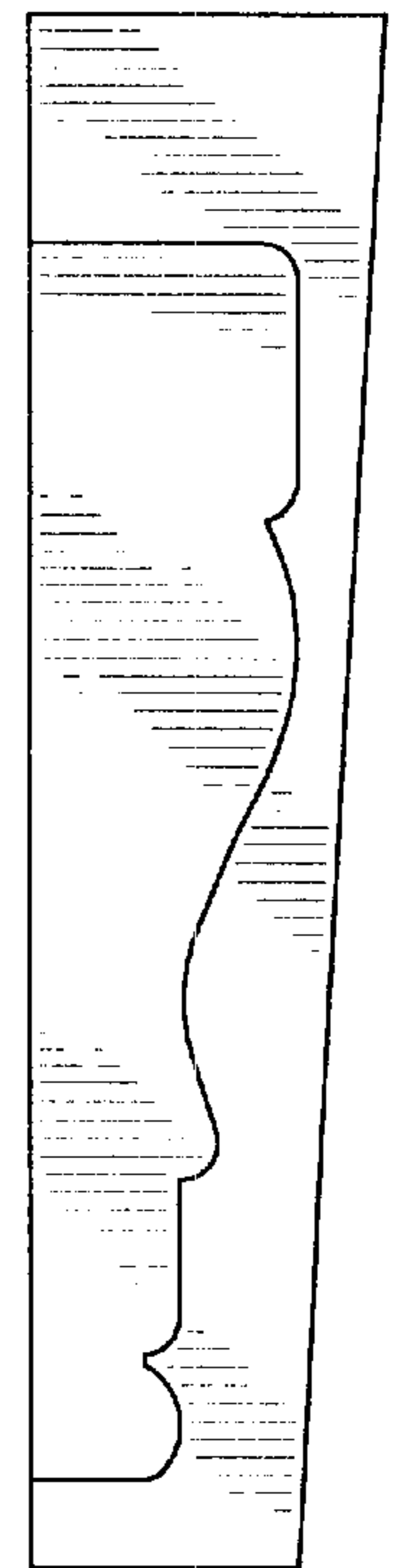


FIG-5

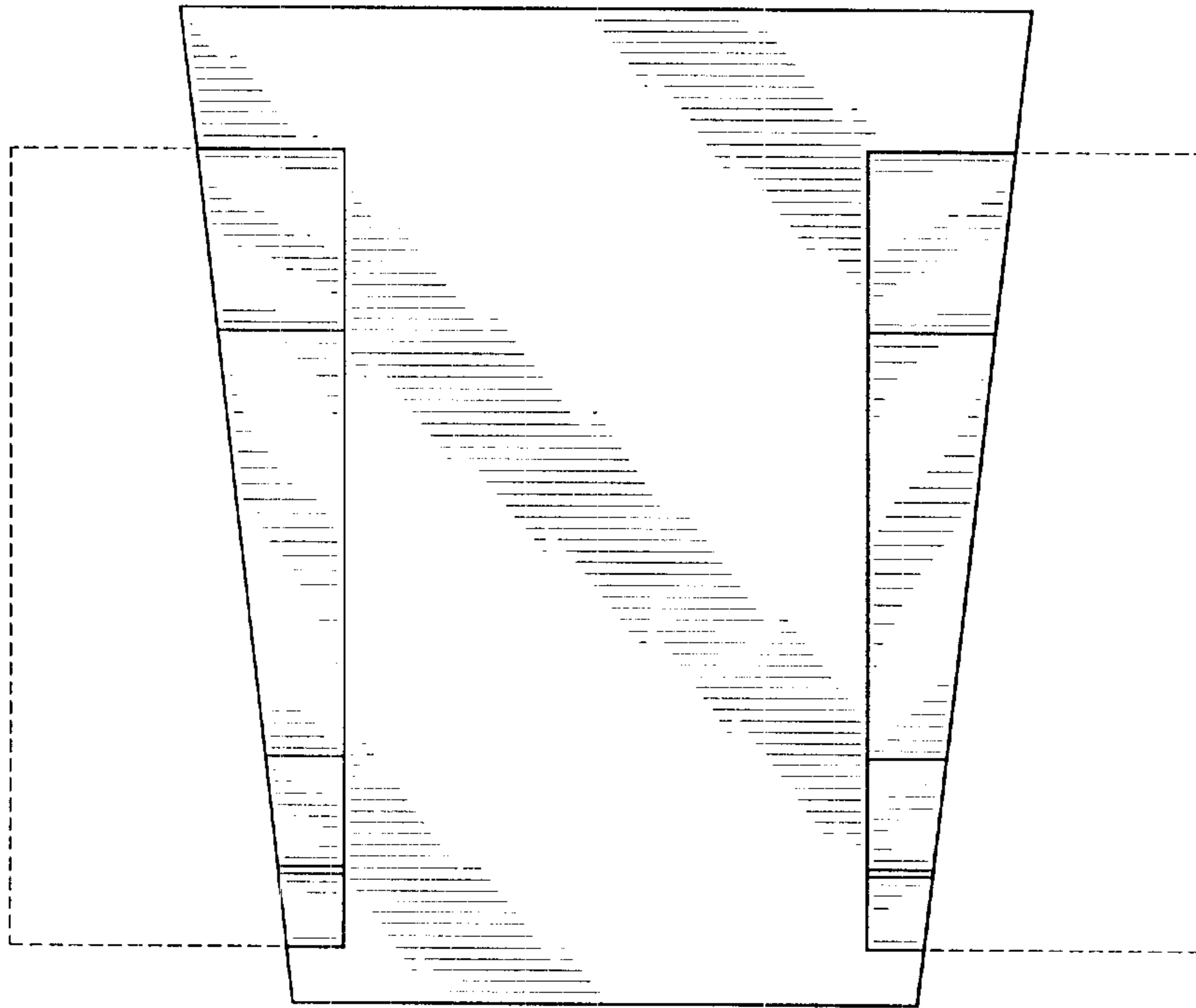


FIG-7

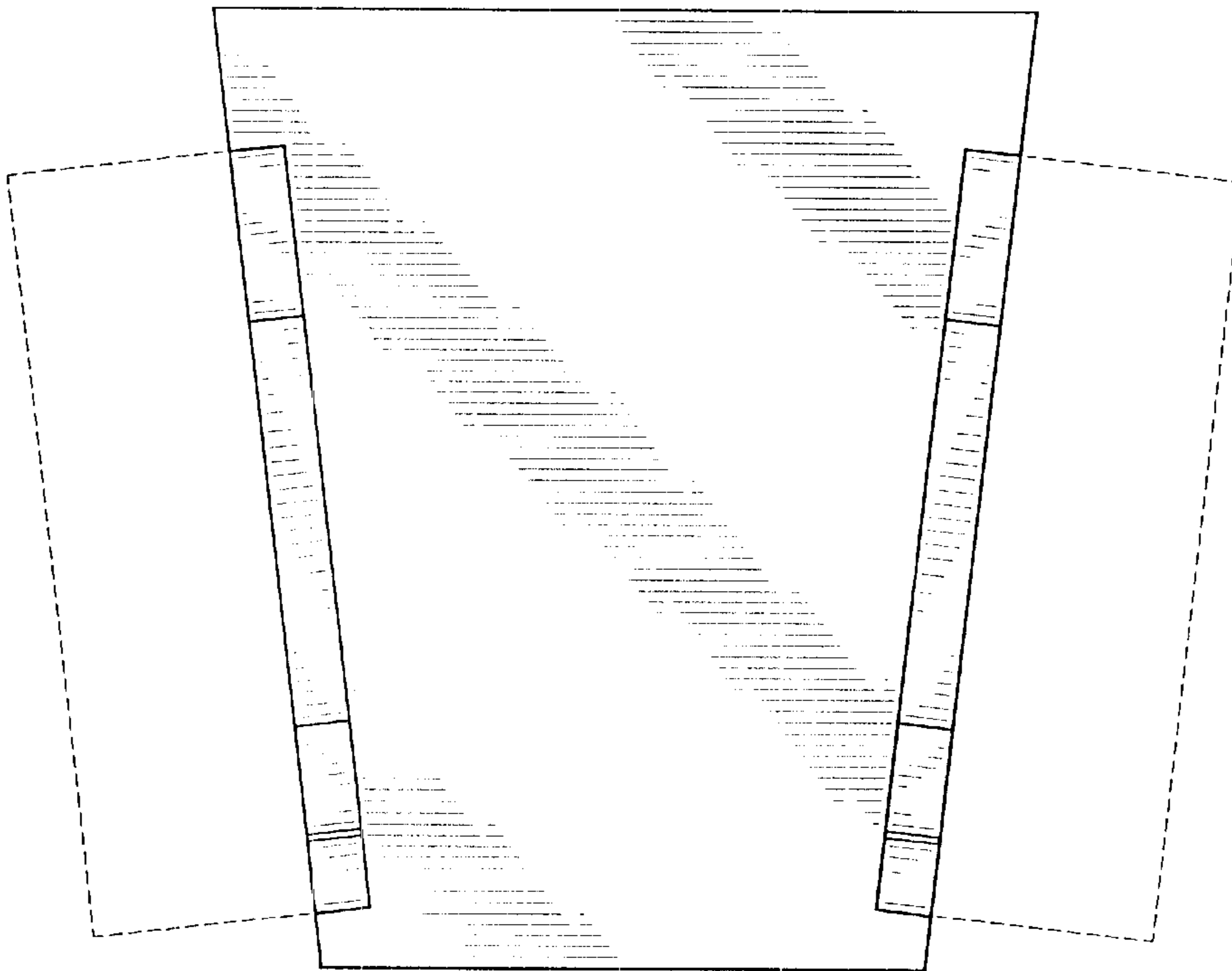


FIG-14

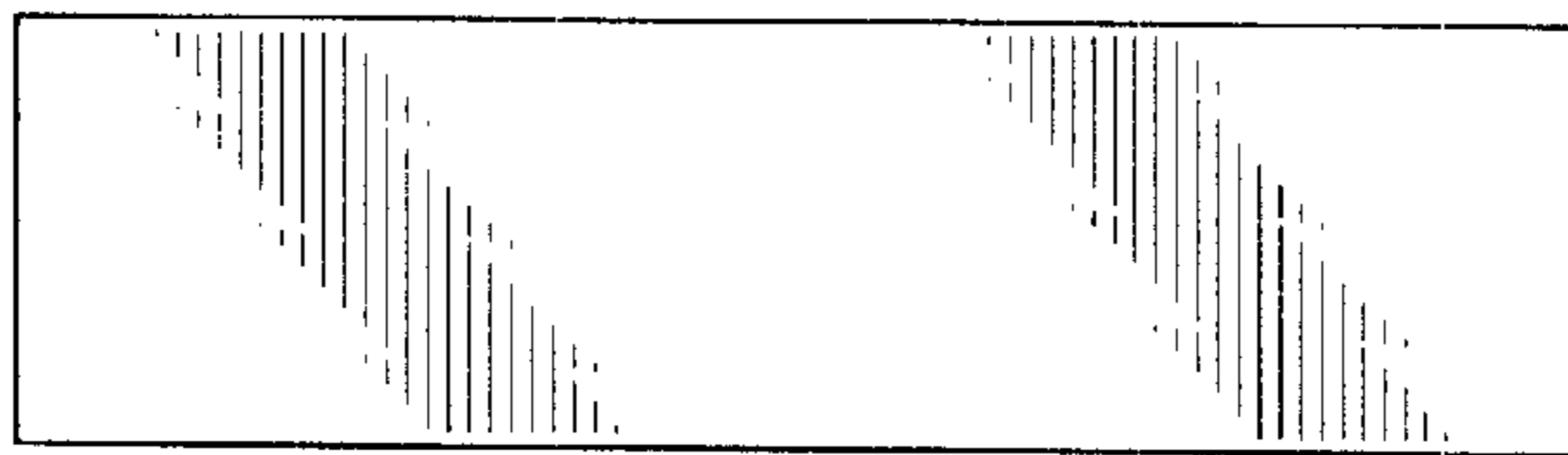


FIG-10

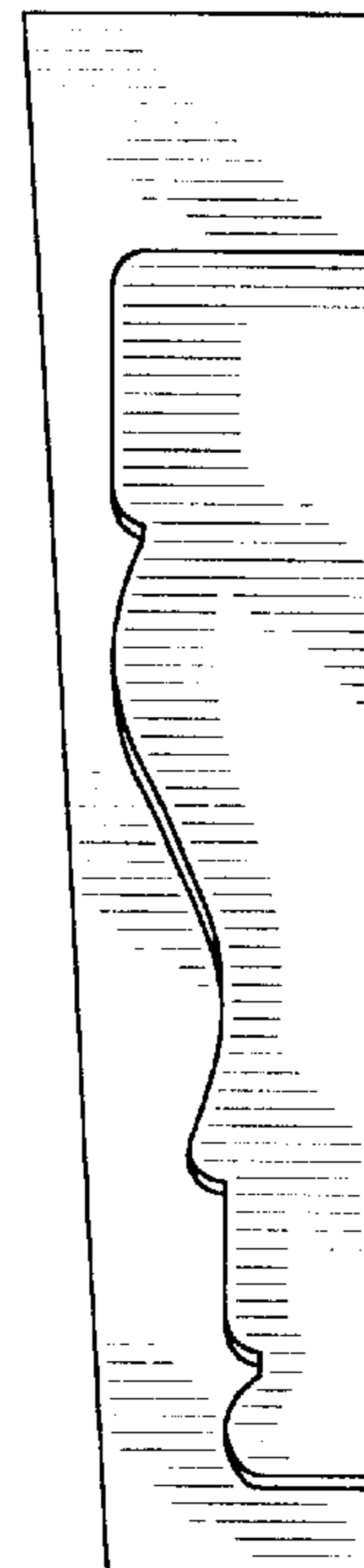


FIG-11

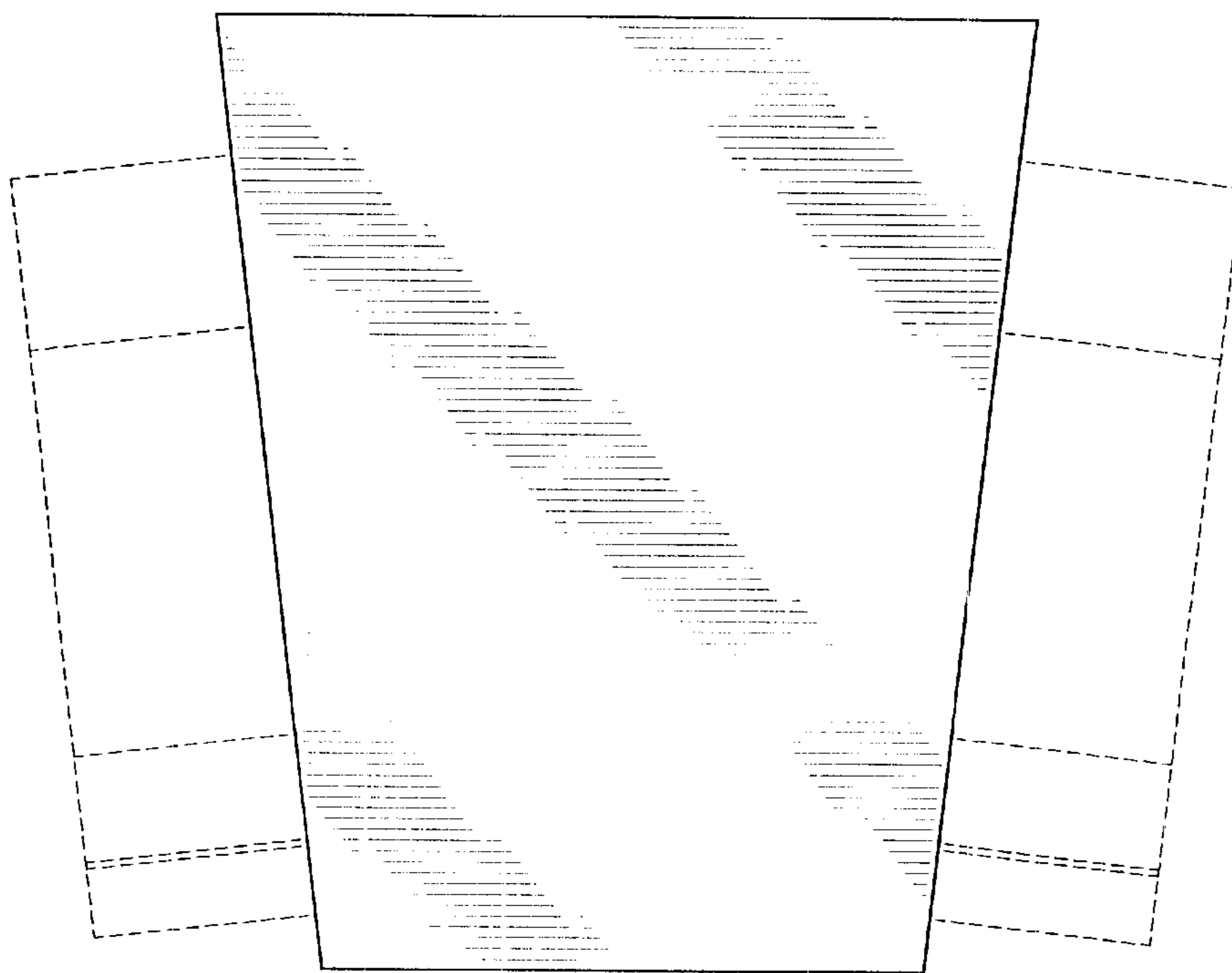


FIG-9

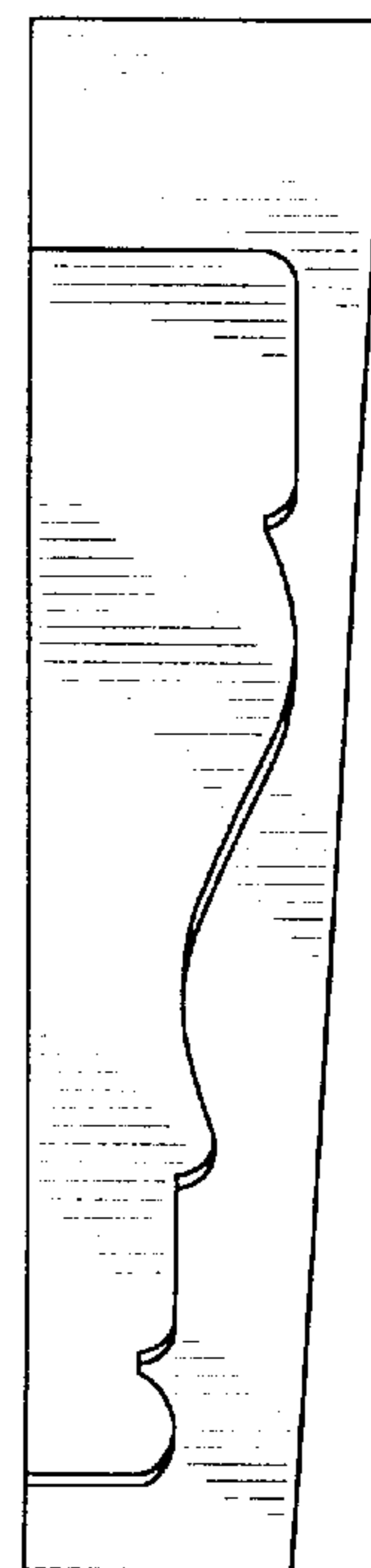


FIG-12

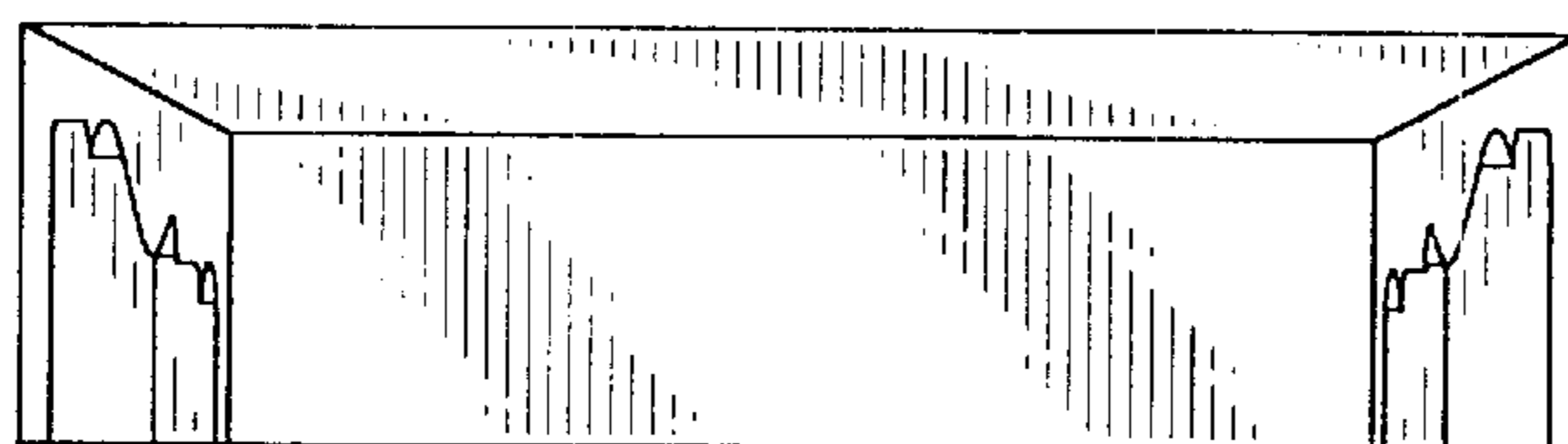


FIG-13

FIG-15

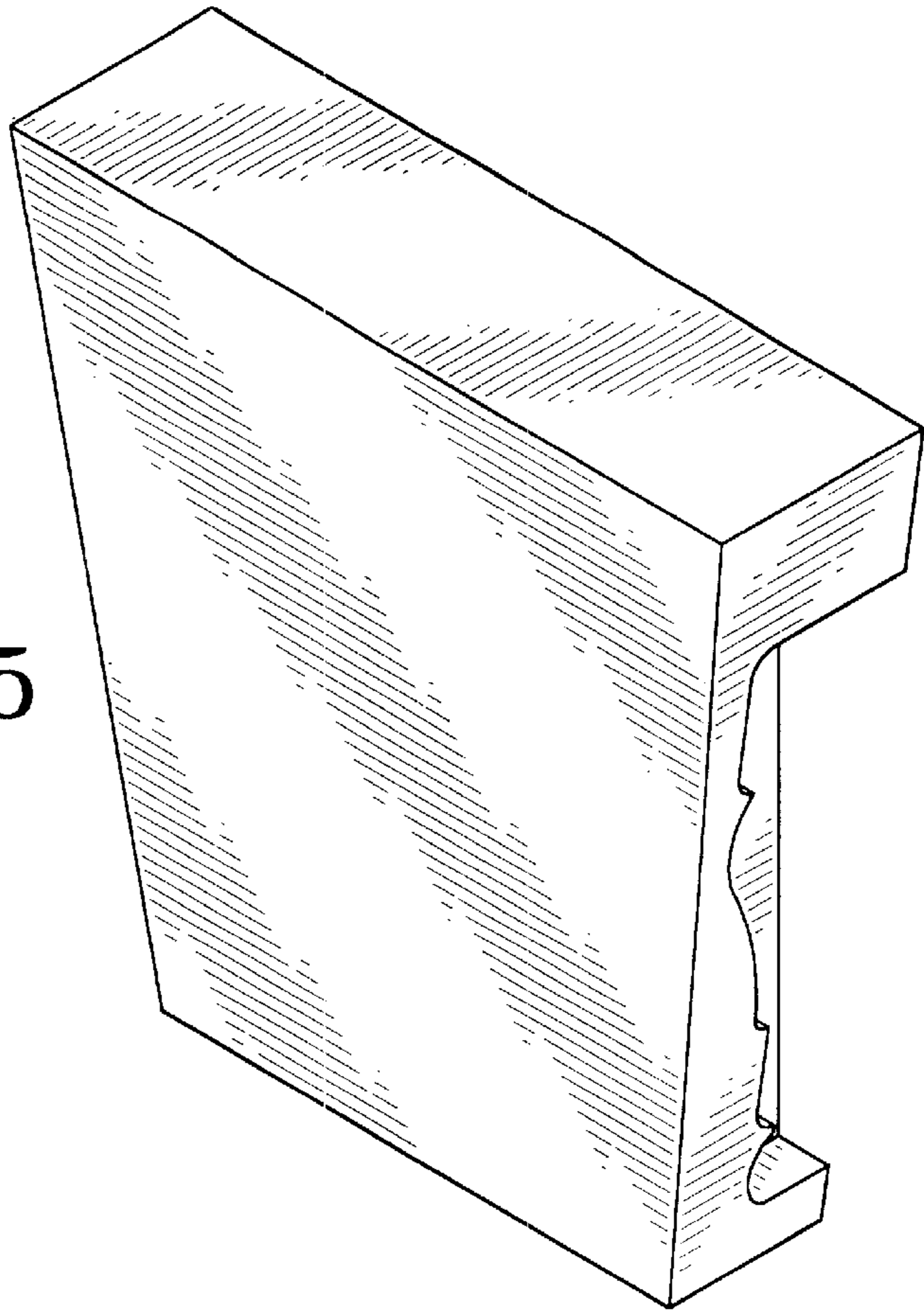
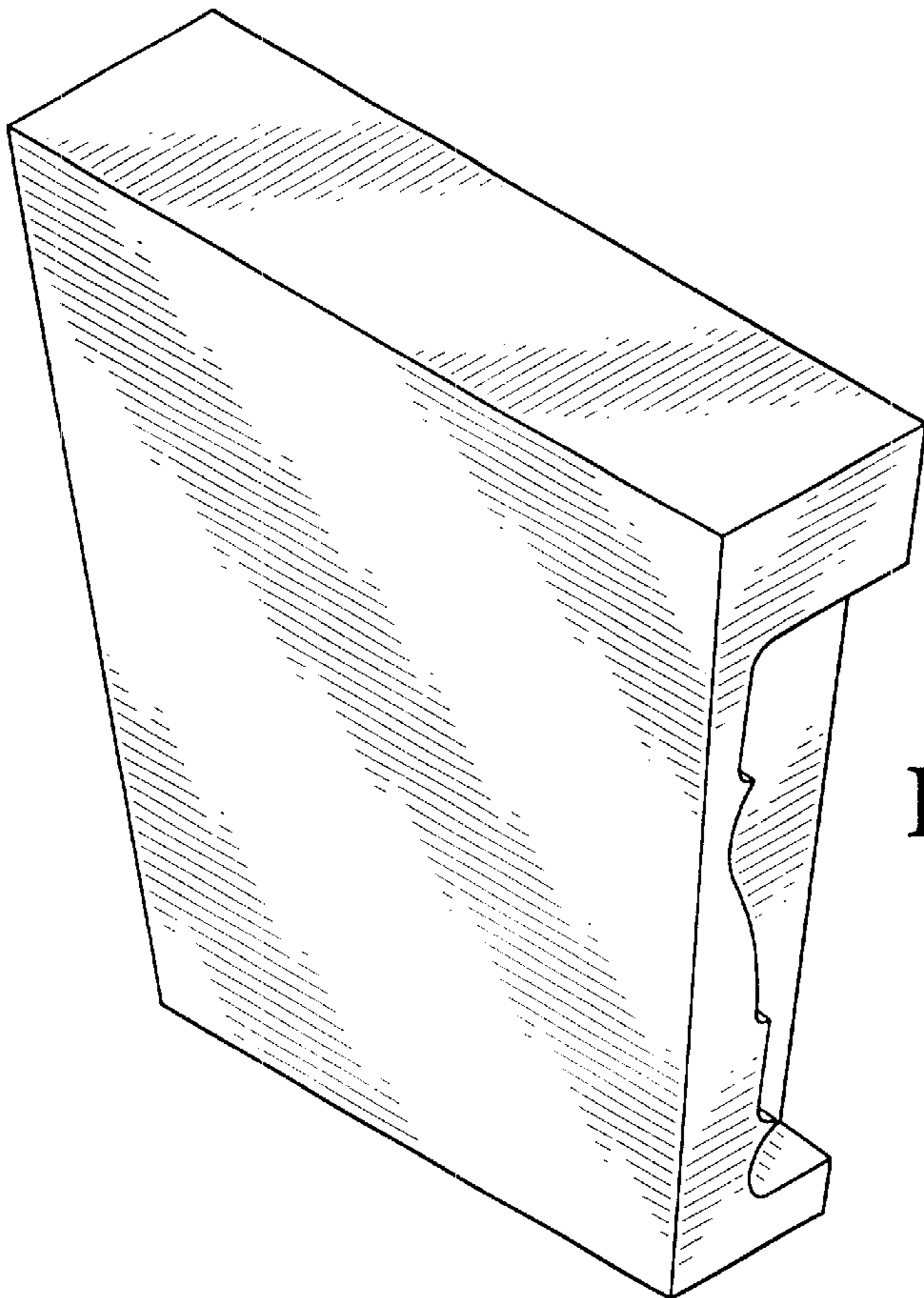


FIG-22



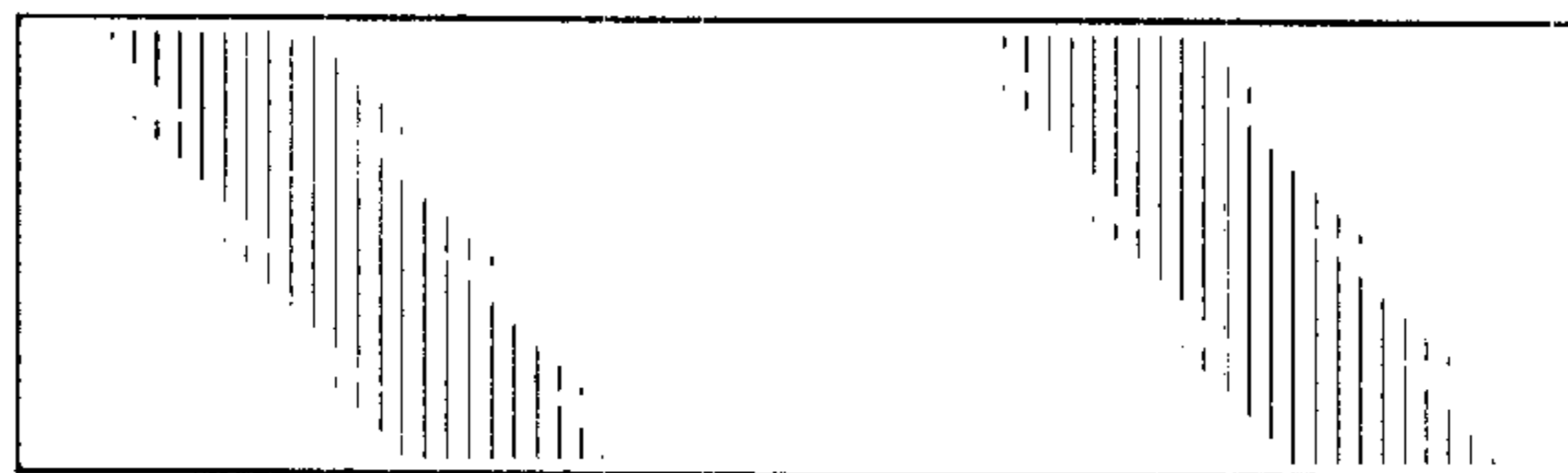


FIG-17

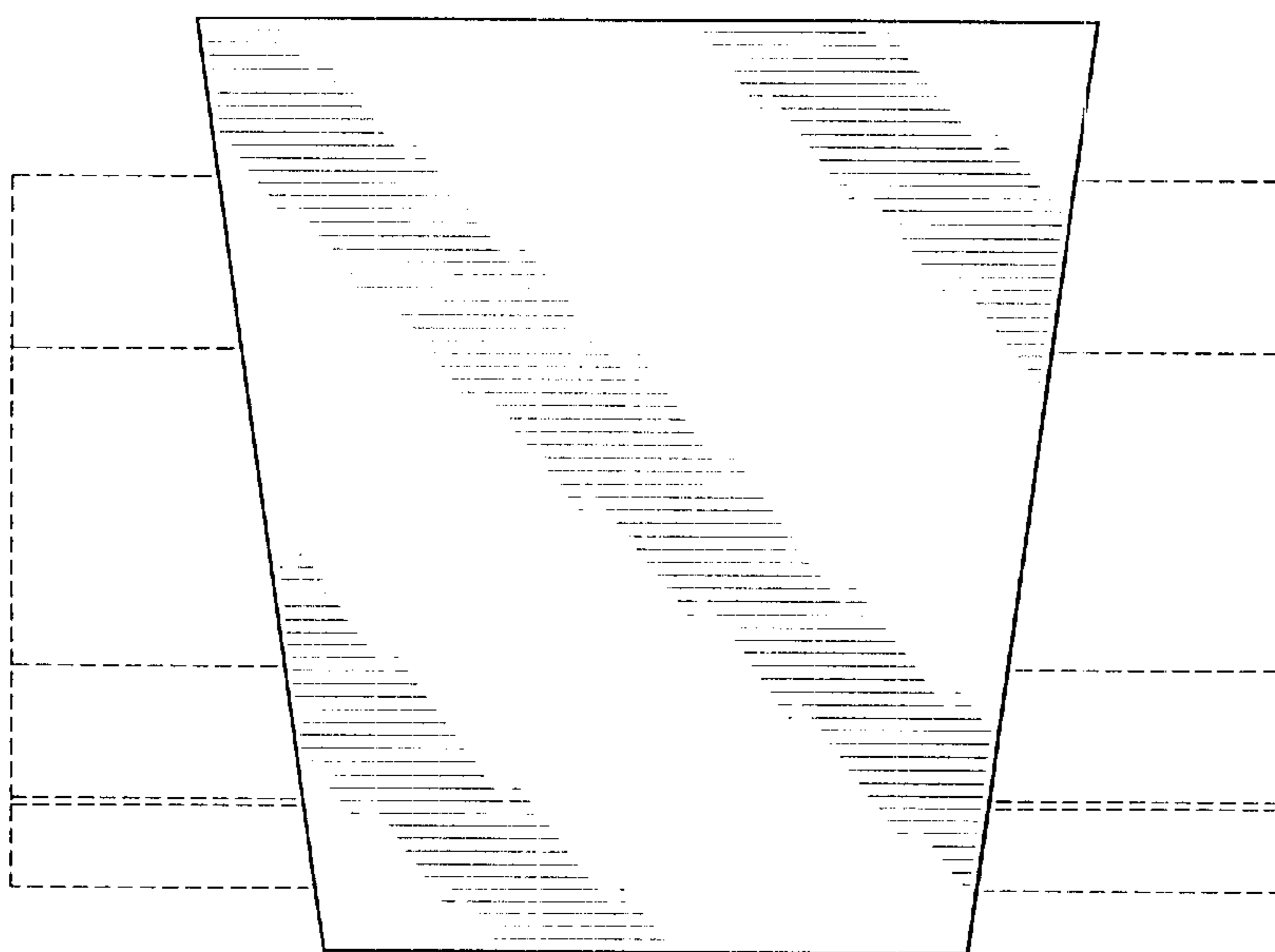


FIG-16

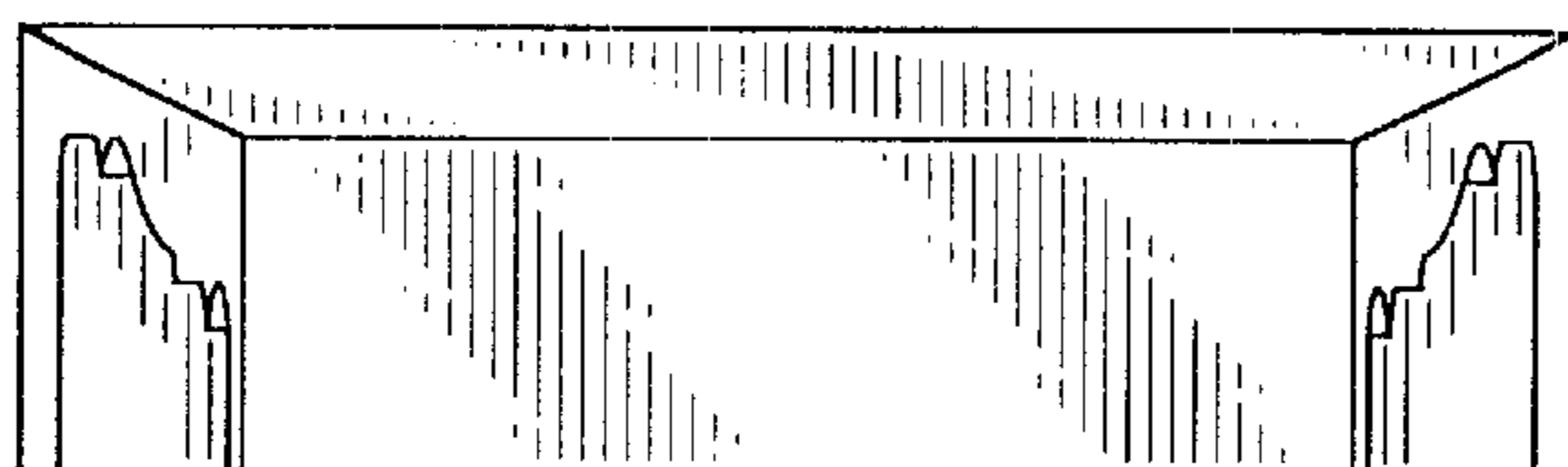


FIG-20



FIG-18

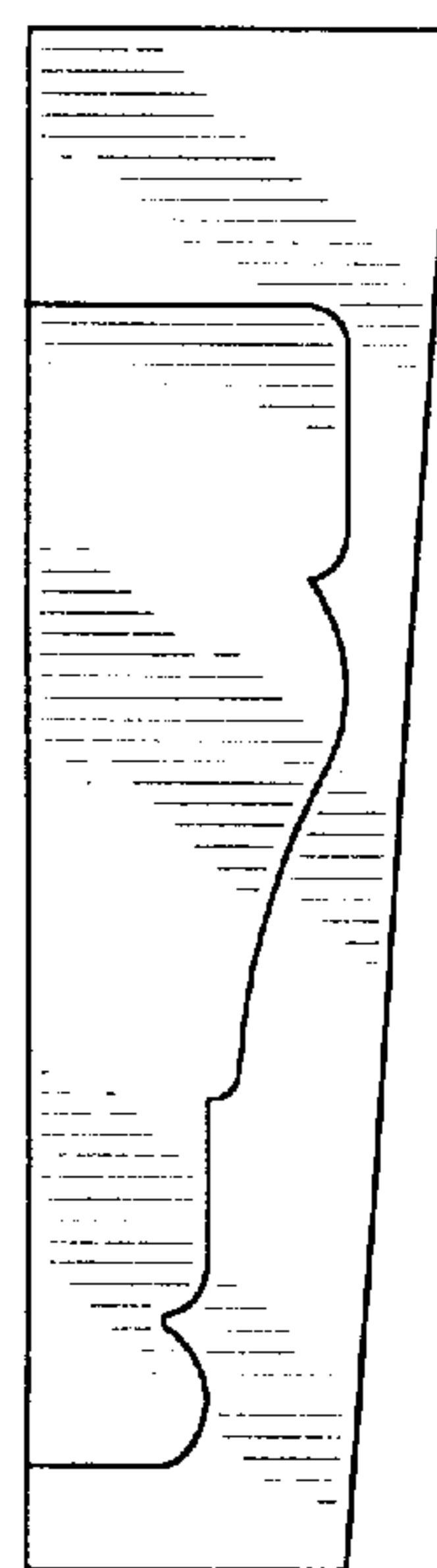


FIG-19

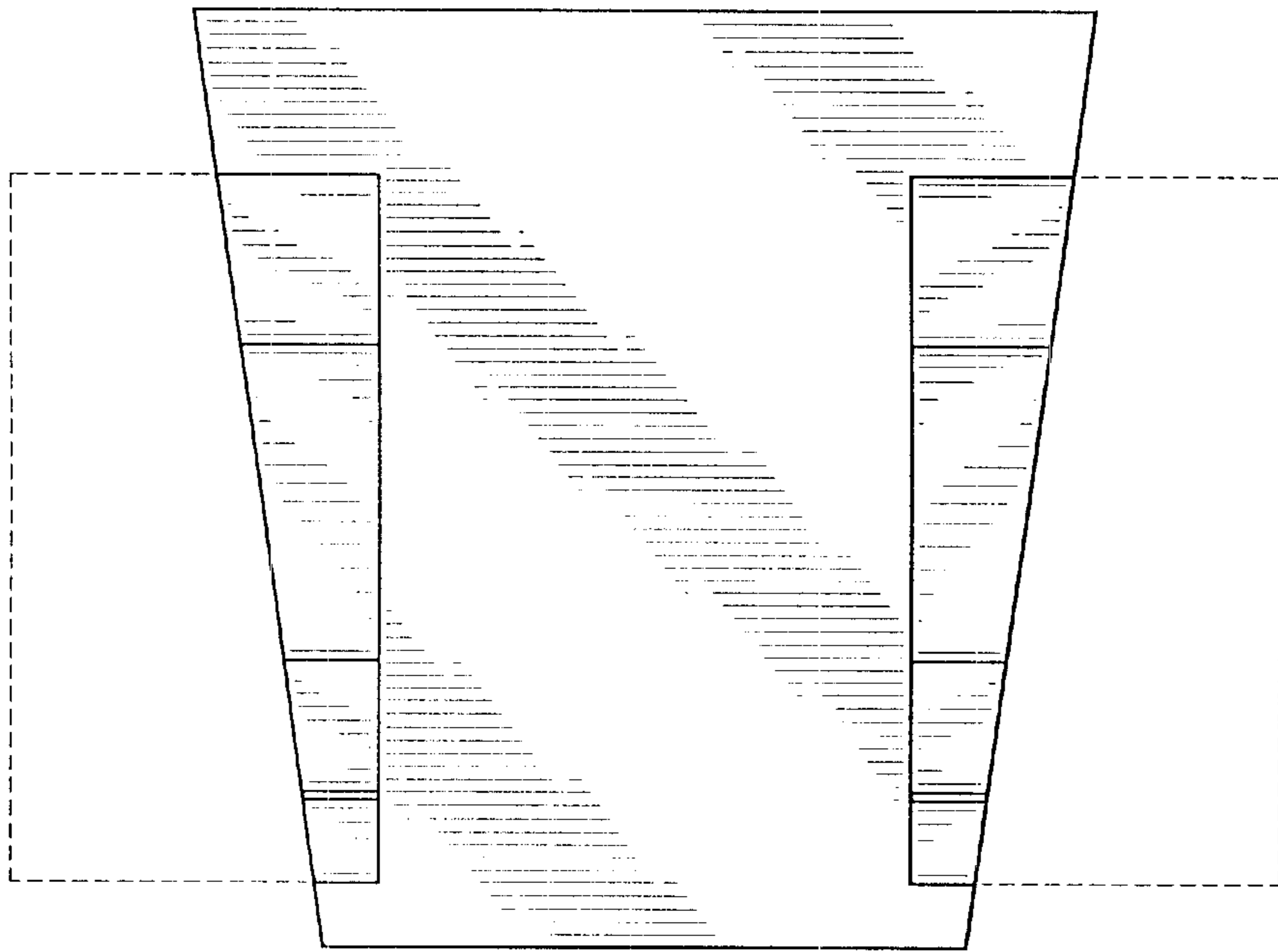


FIG-21

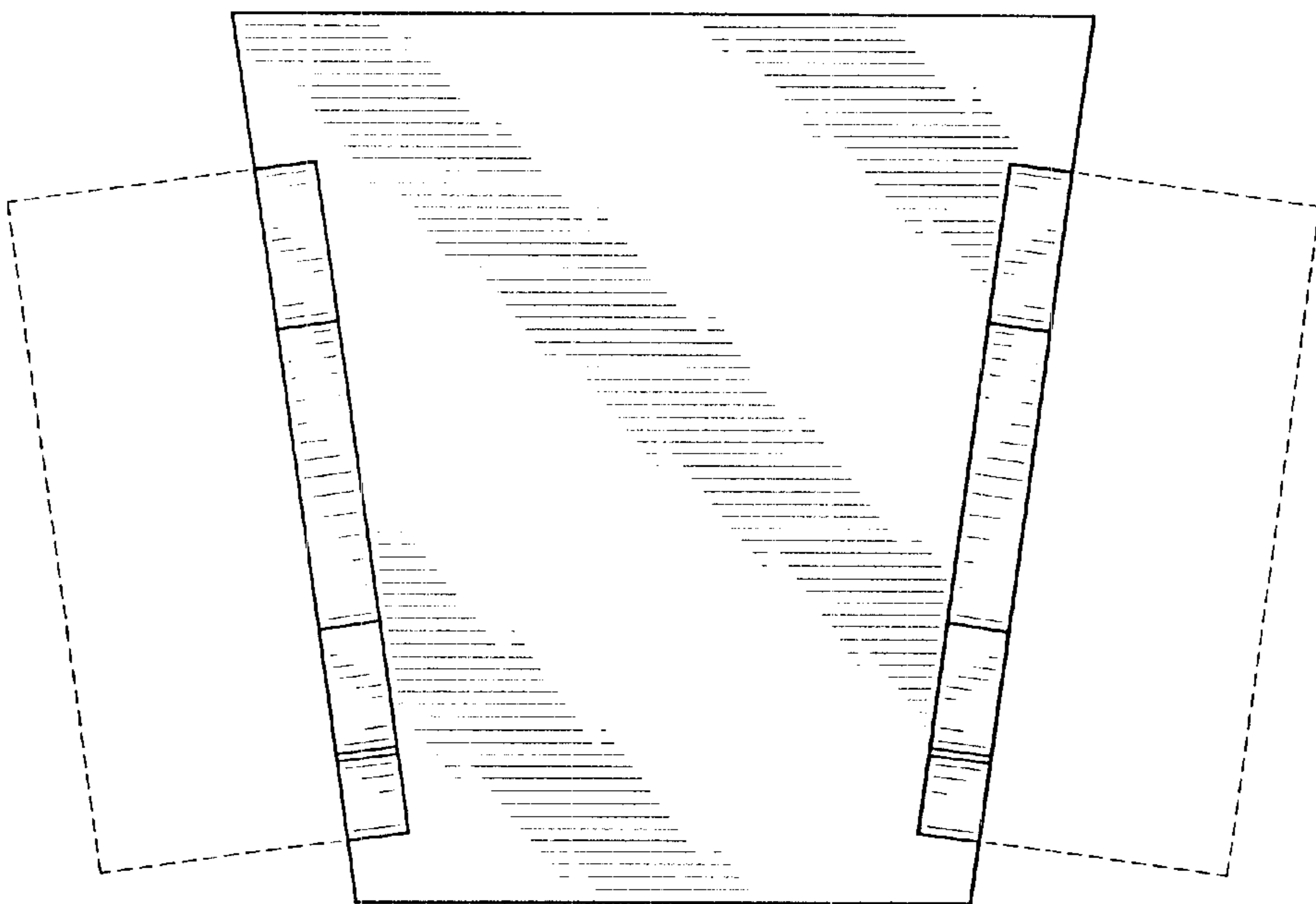


FIG-28

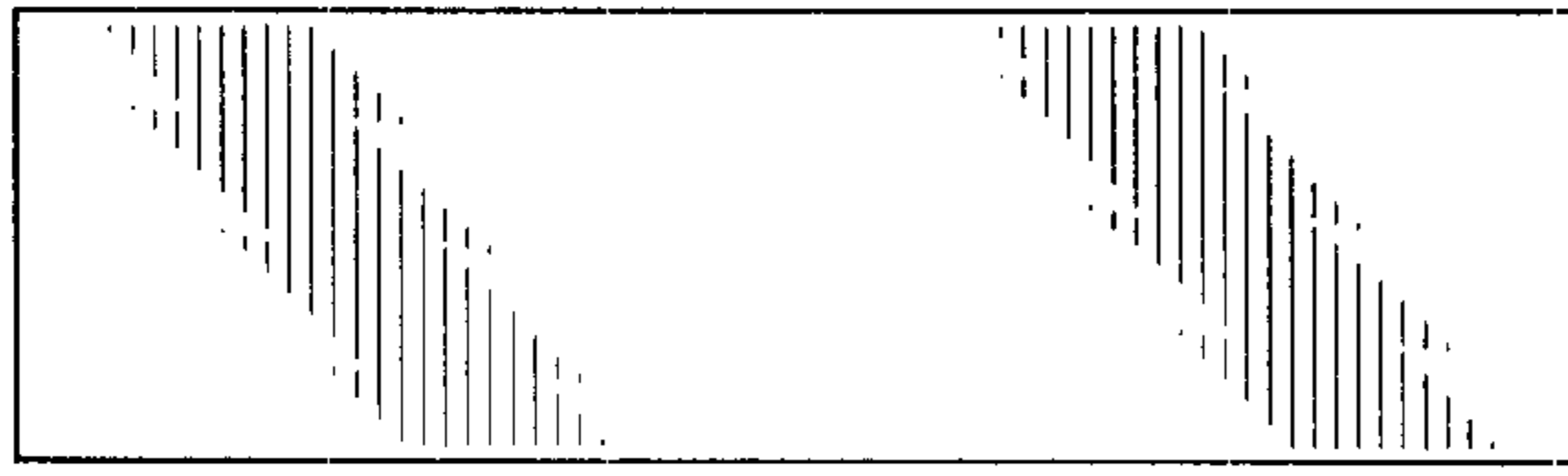


FIG-24

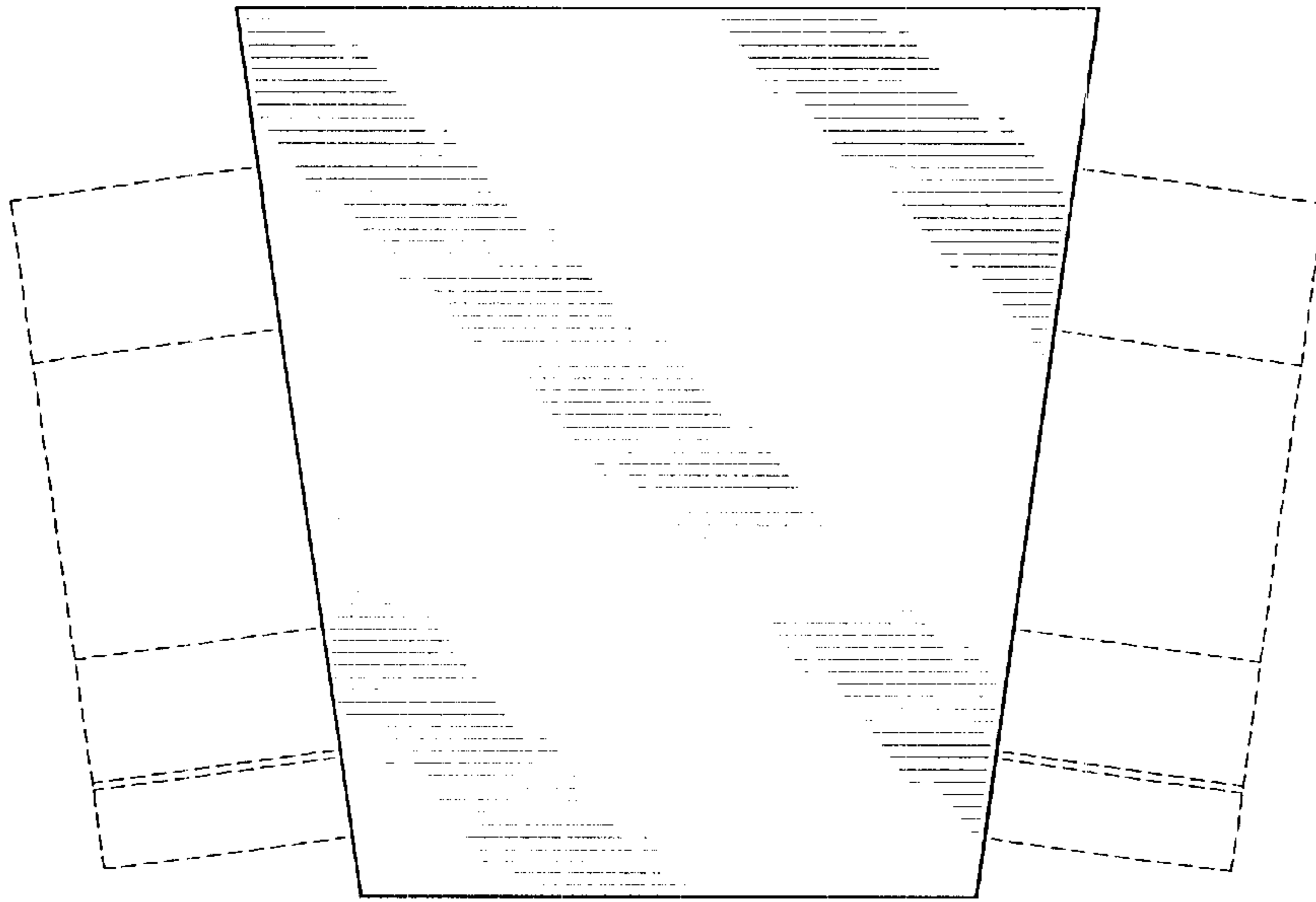


FIG-23

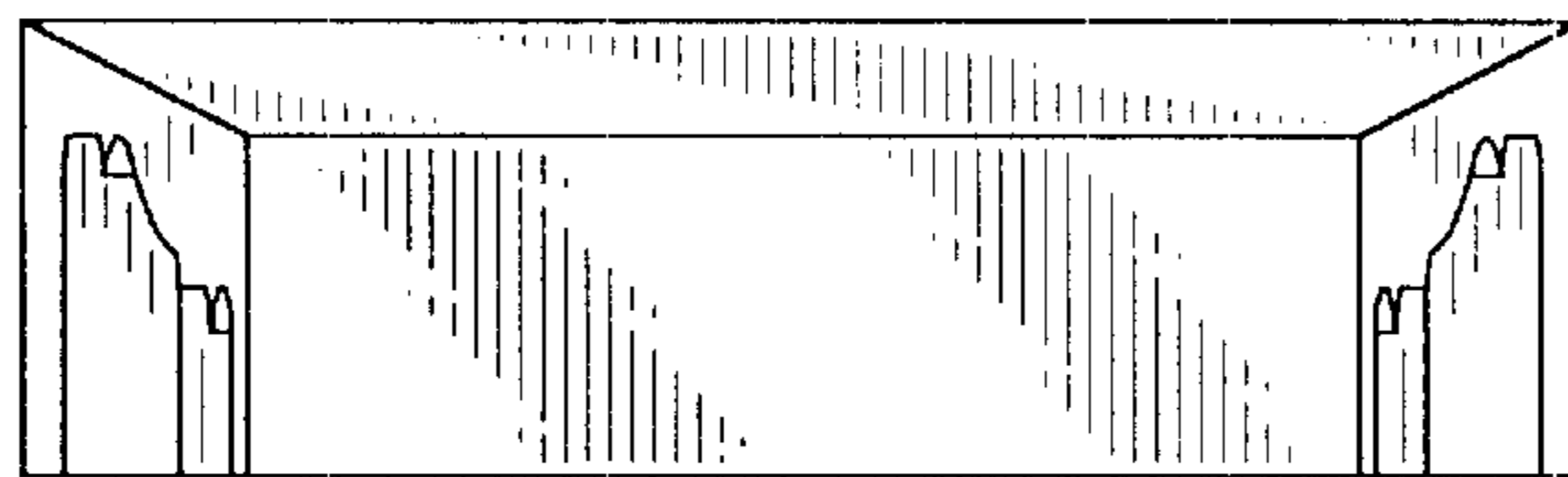


FIG-27

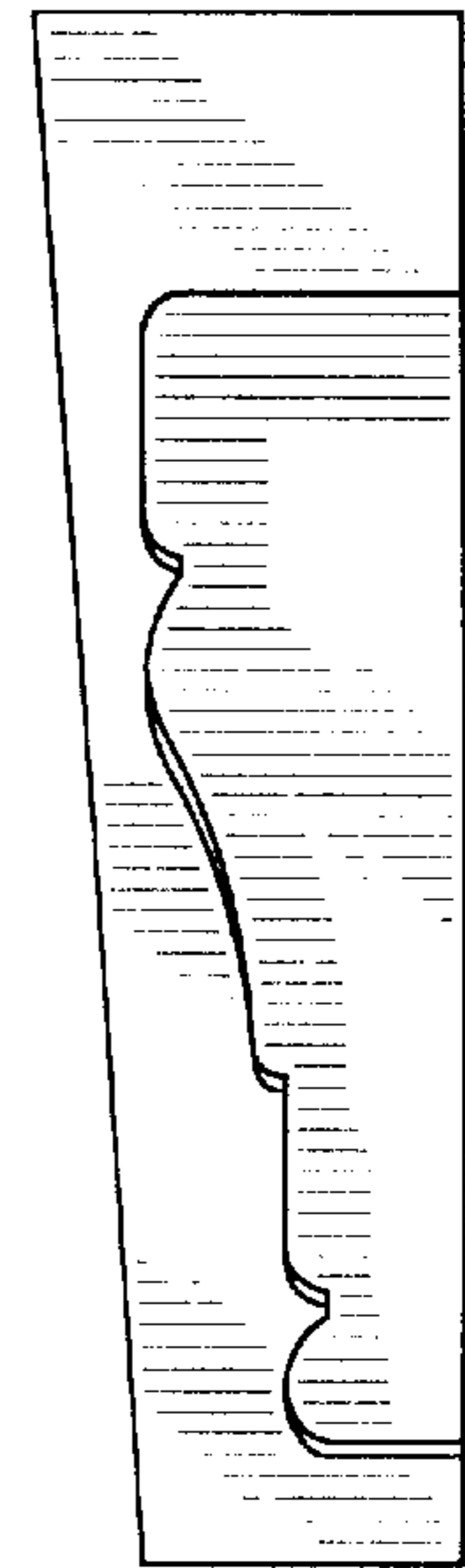


FIG-25

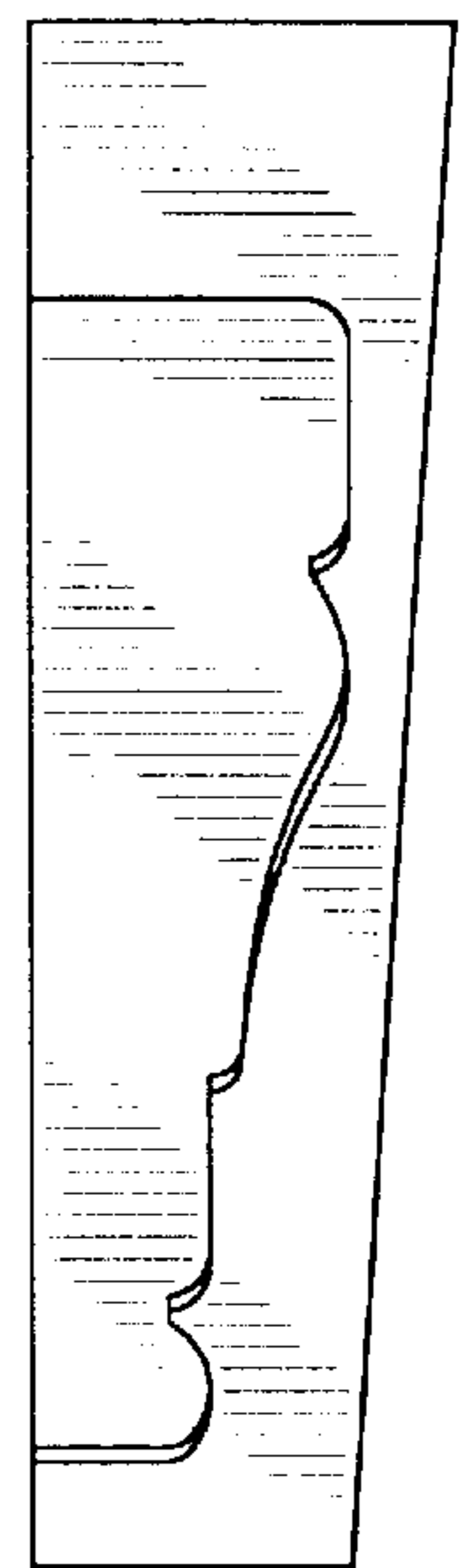


FIG-26

FIG-29

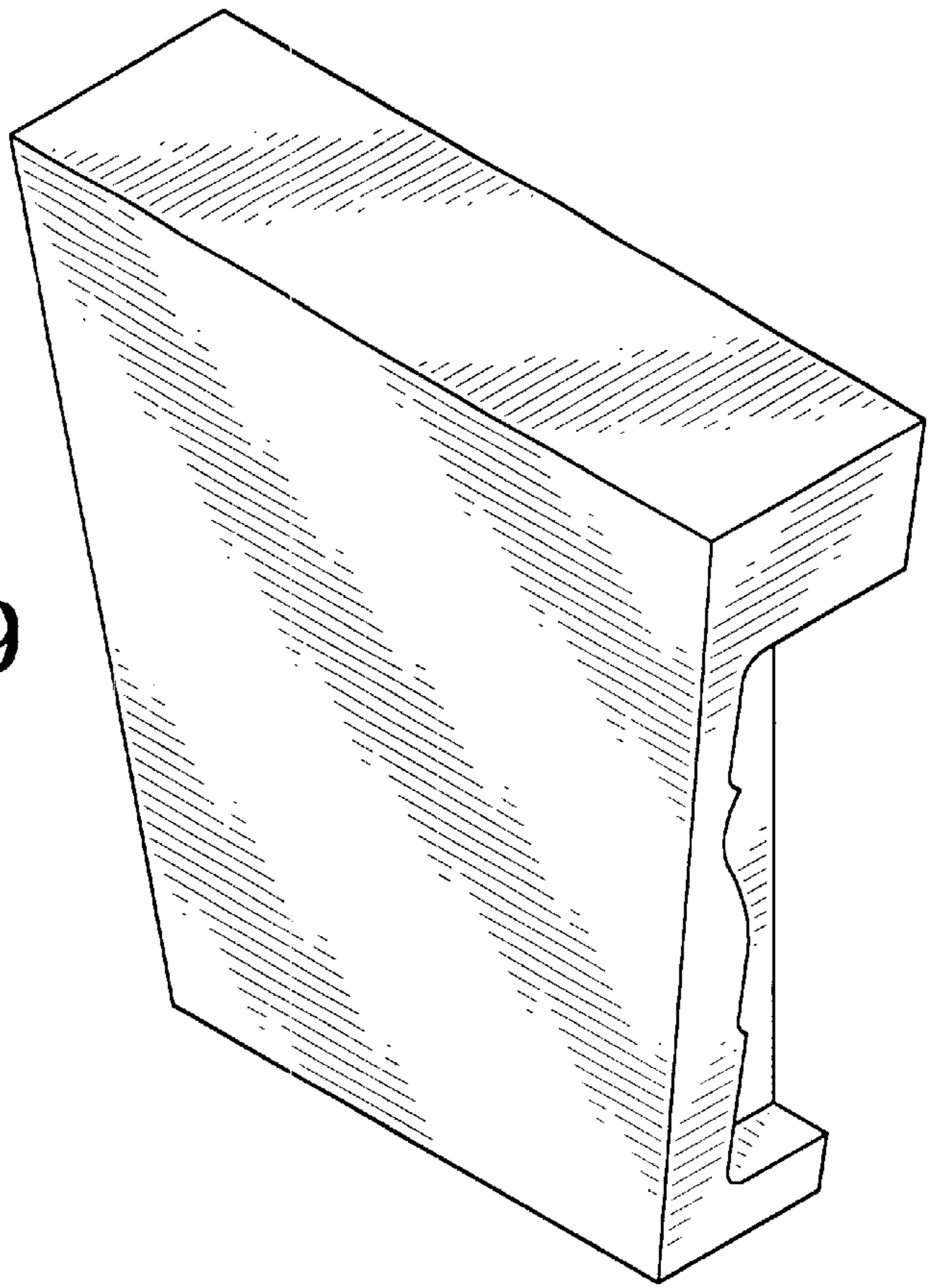
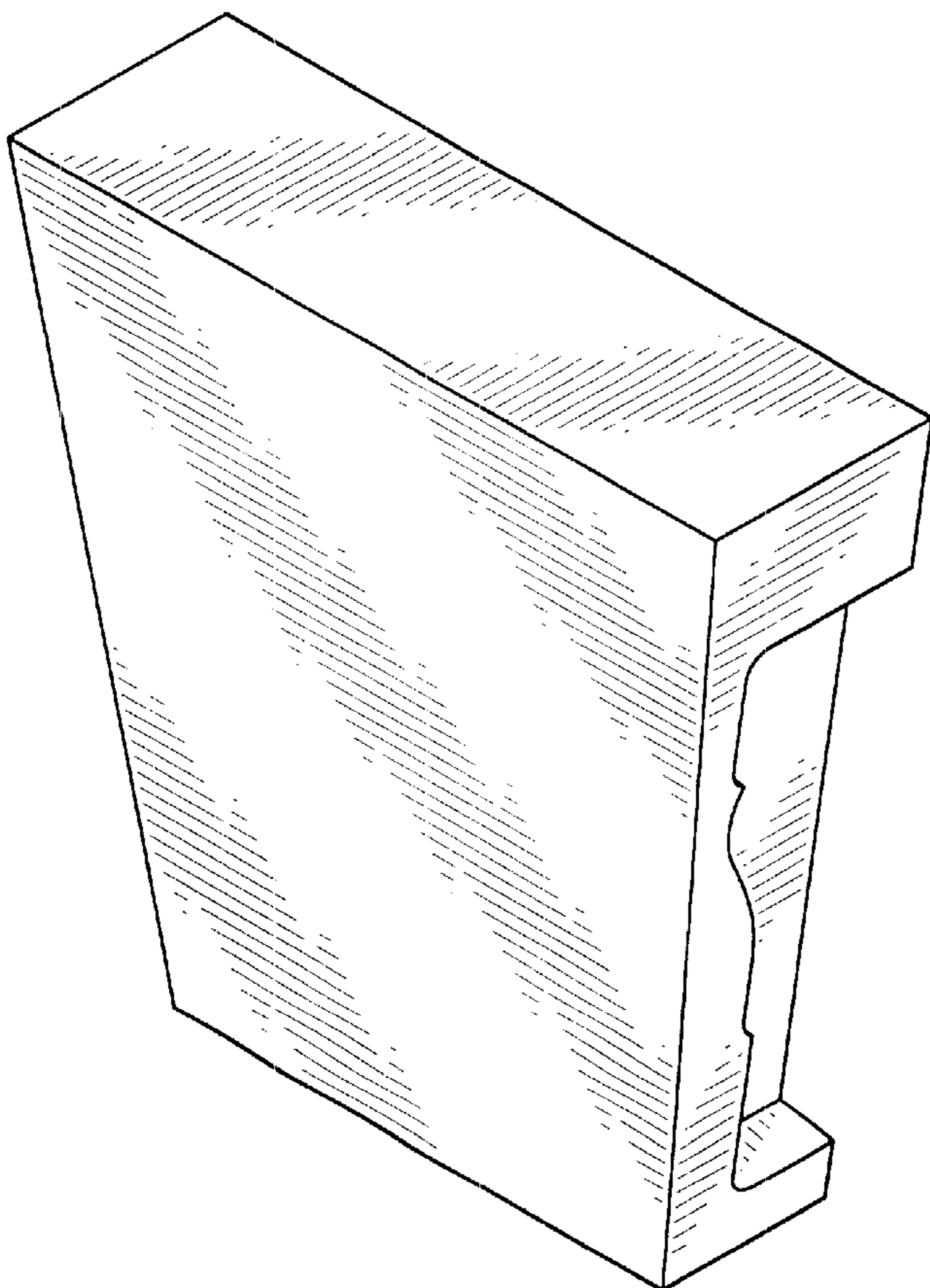


FIG-36



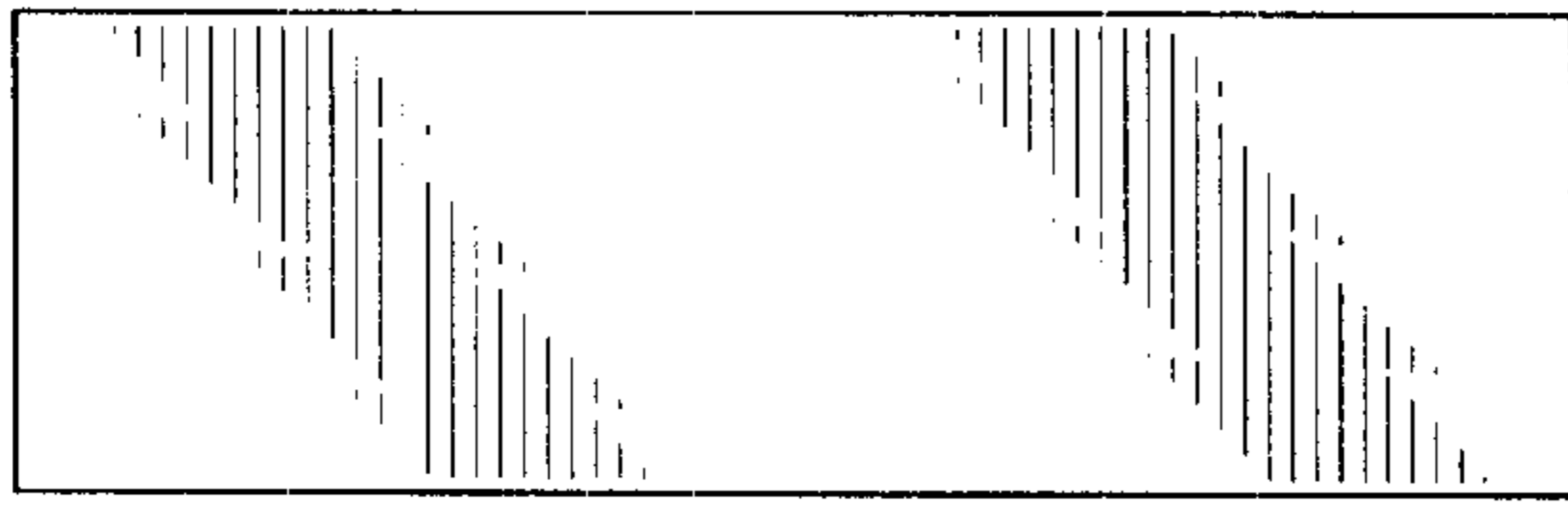


FIG-31

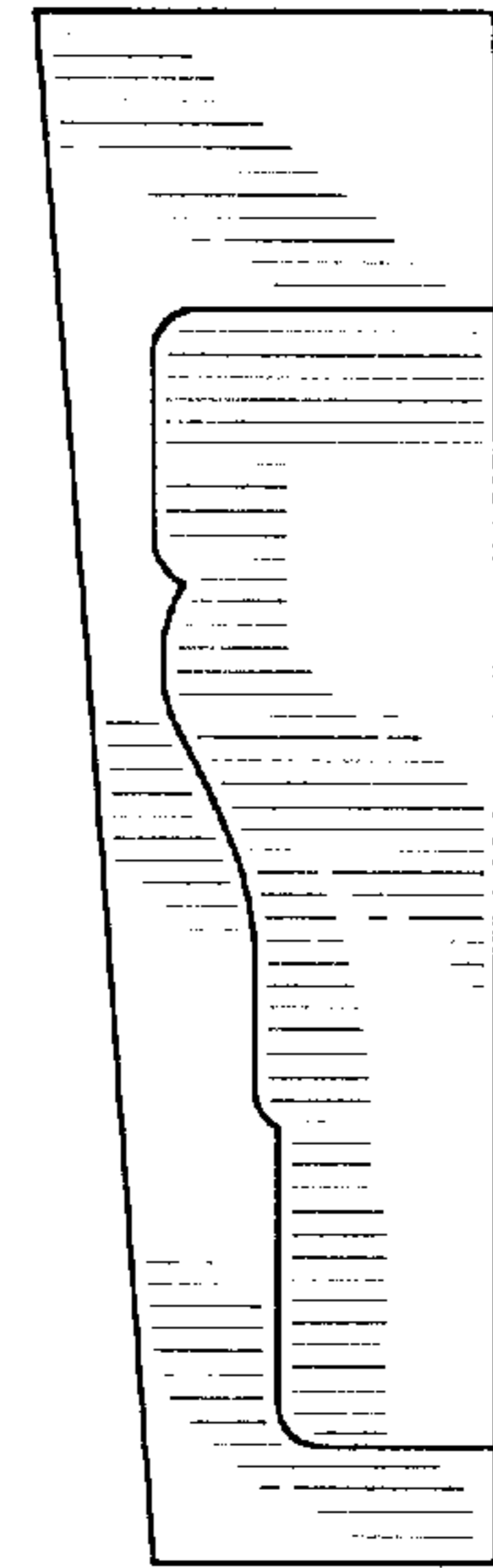


FIG-32

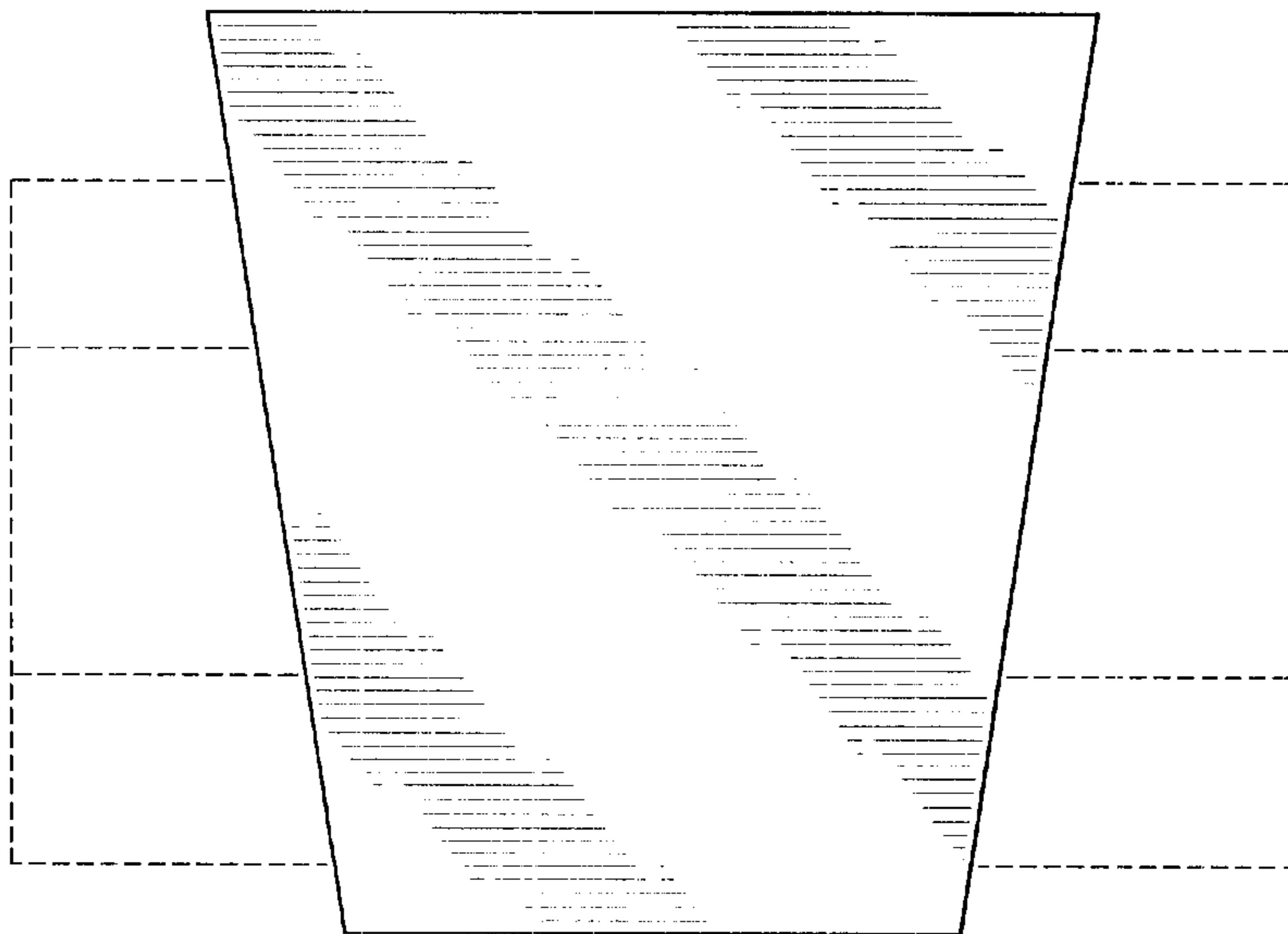


FIG-30

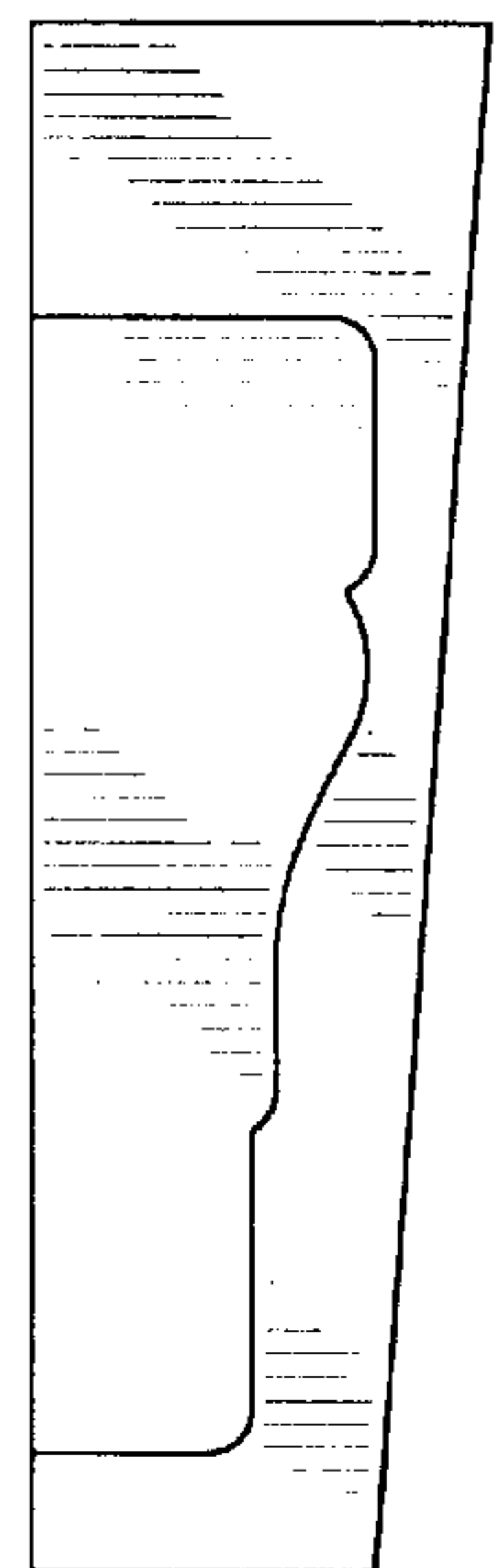


FIG-33

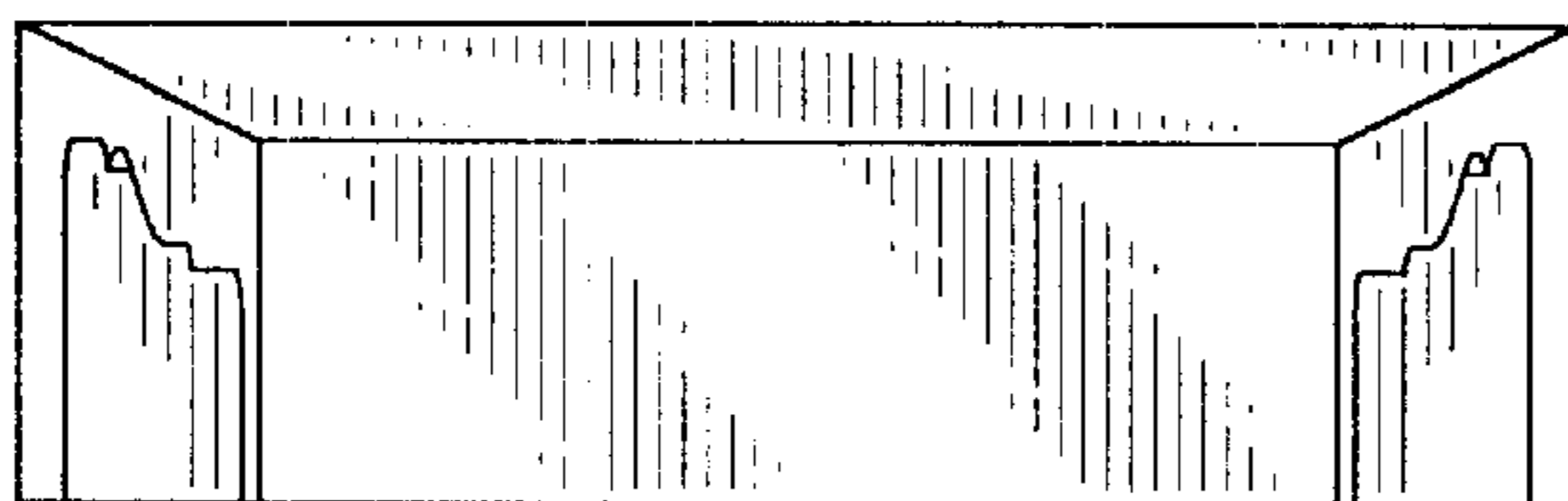


FIG-34

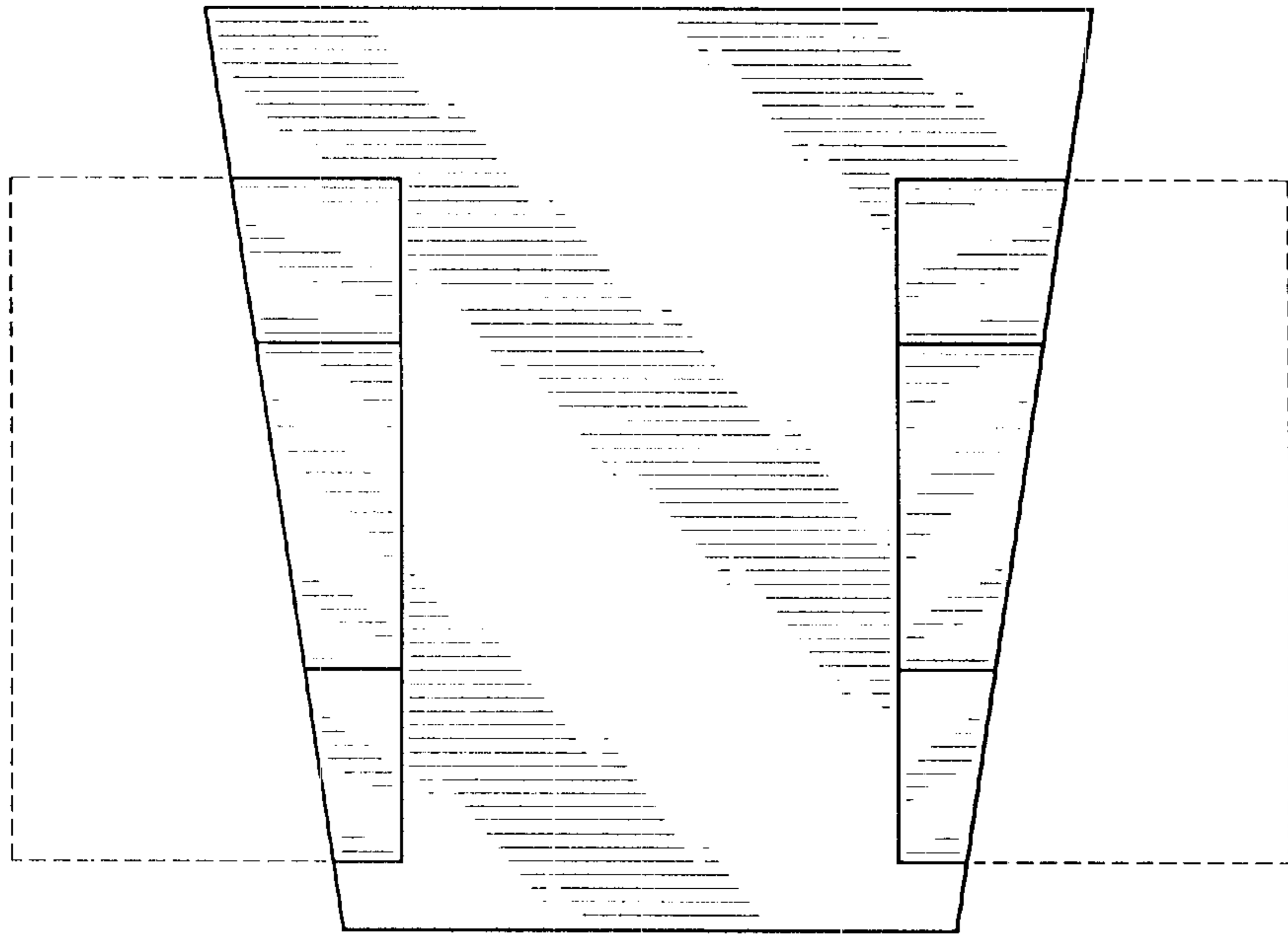


FIG-35

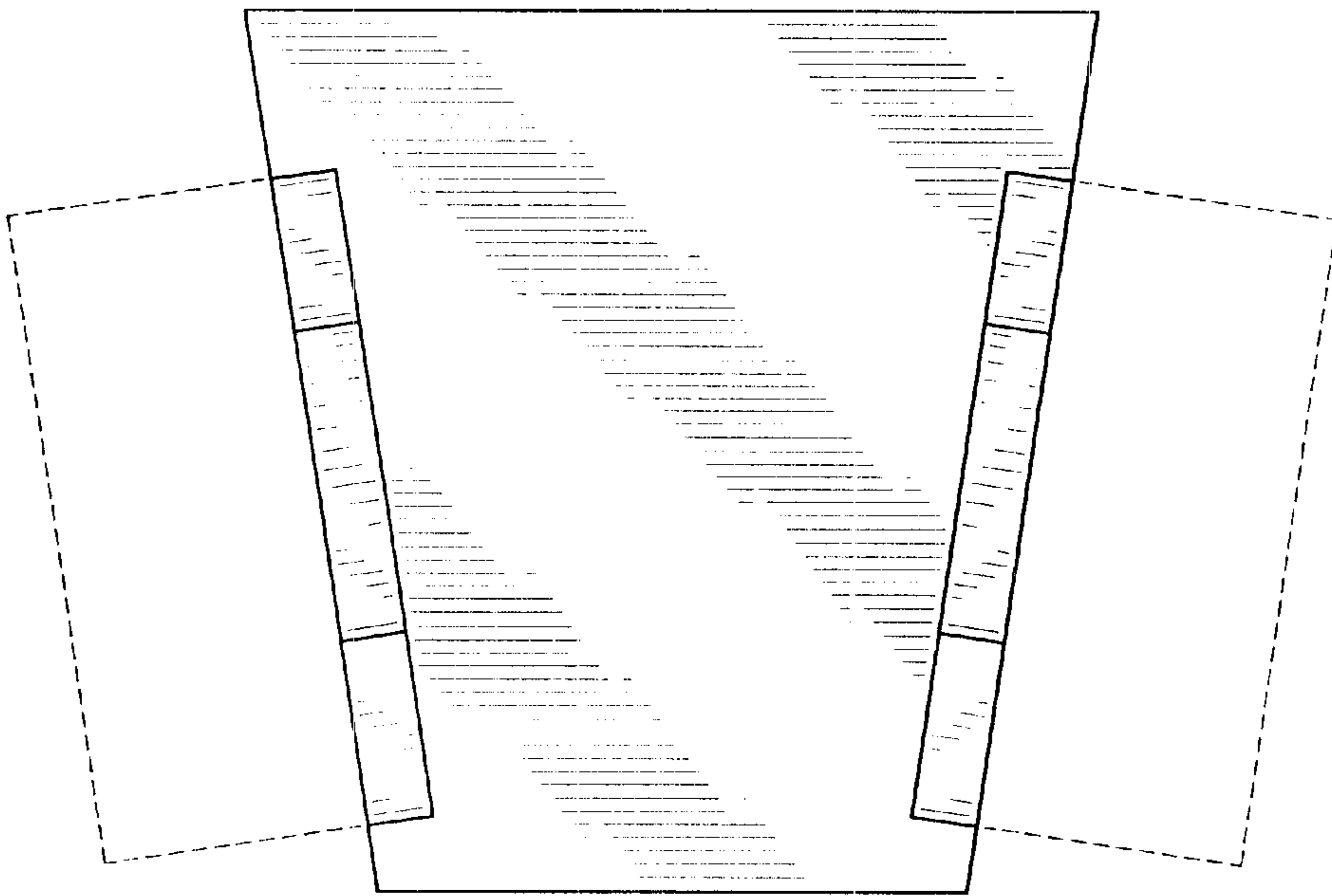


FIG-42

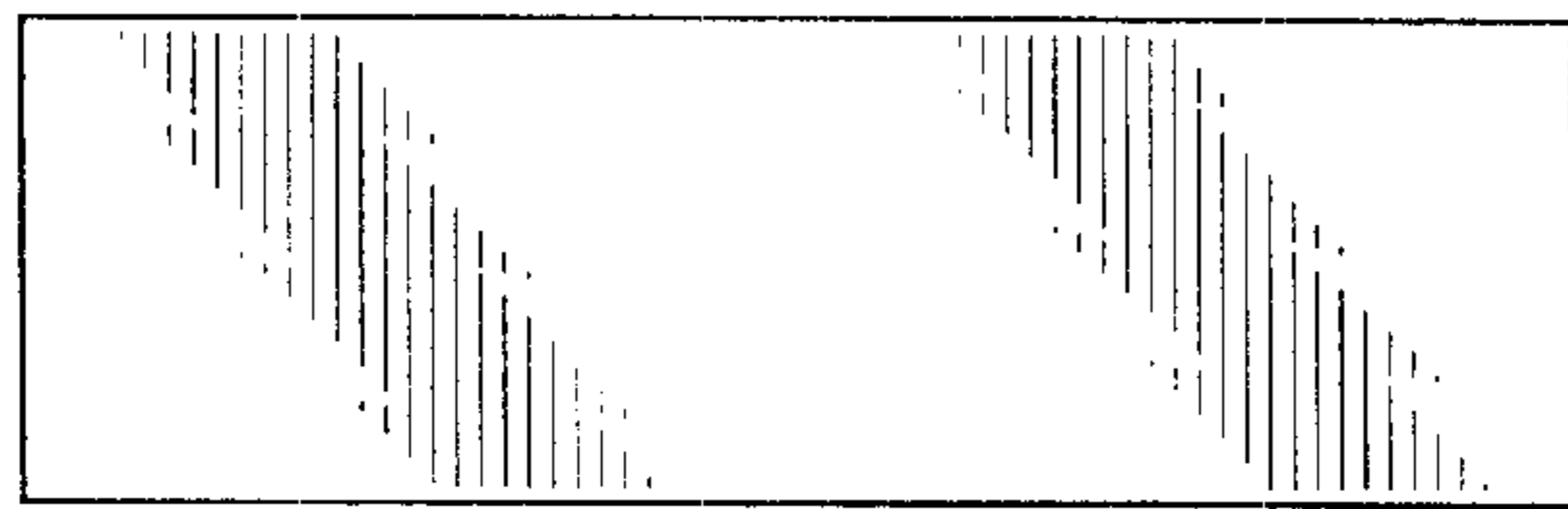


FIG-38

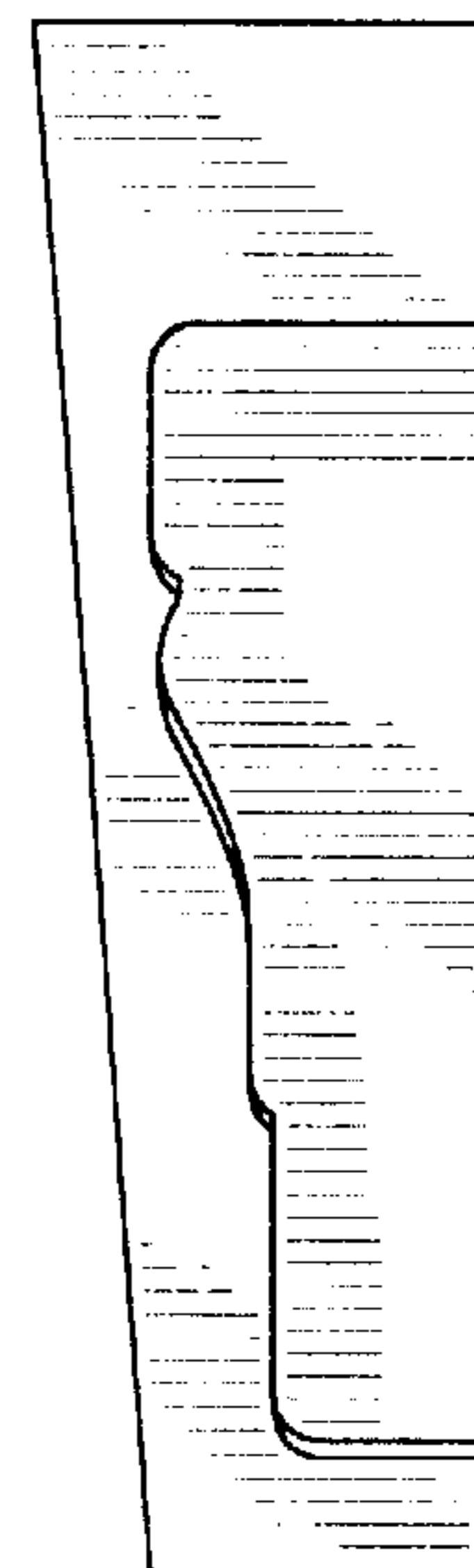


FIG-39

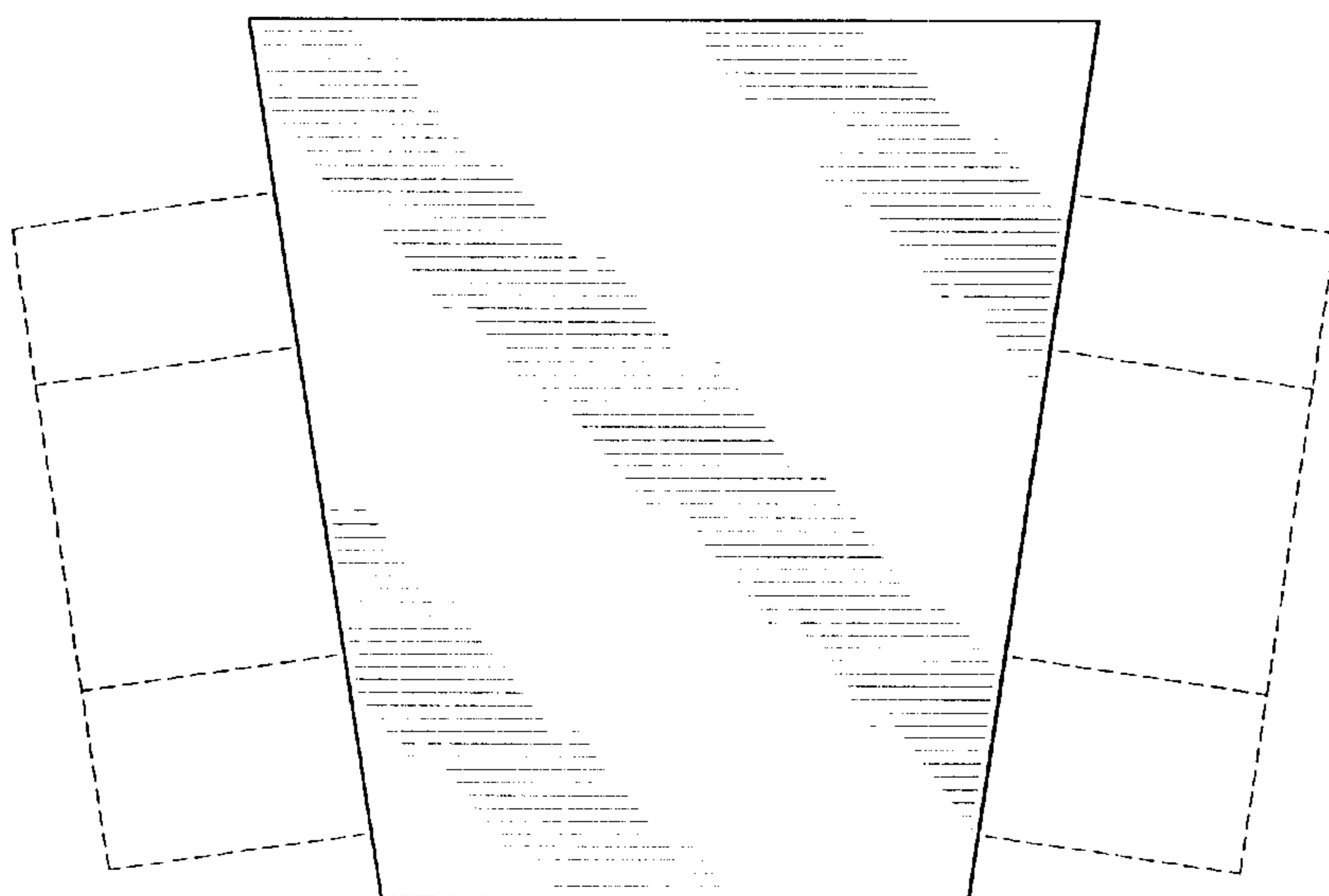


FIG-37

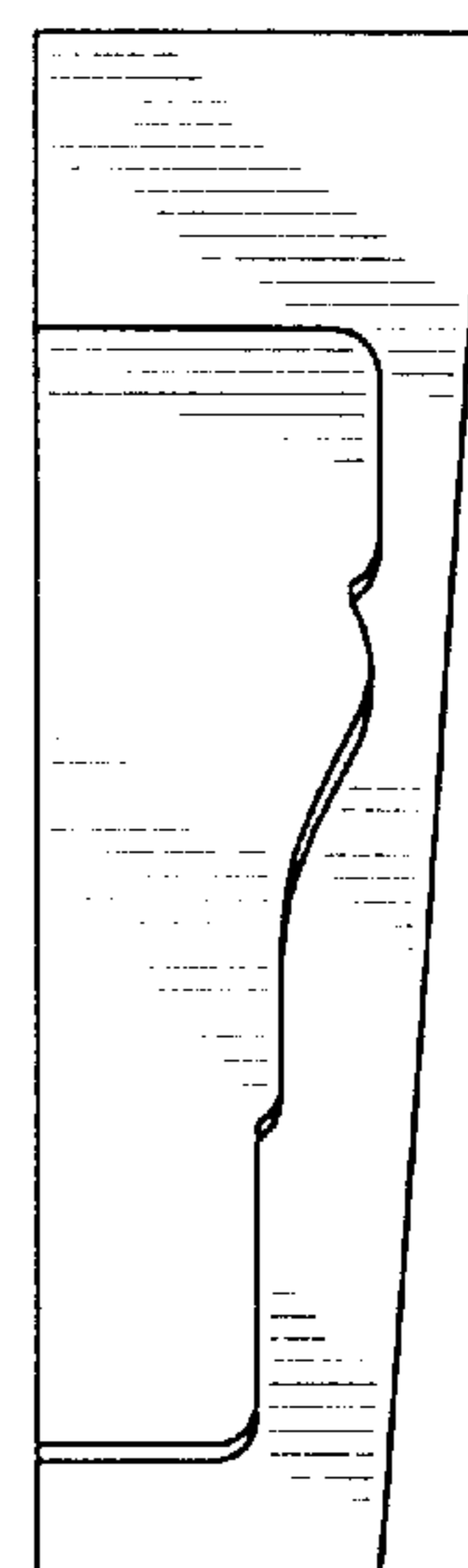


FIG-40

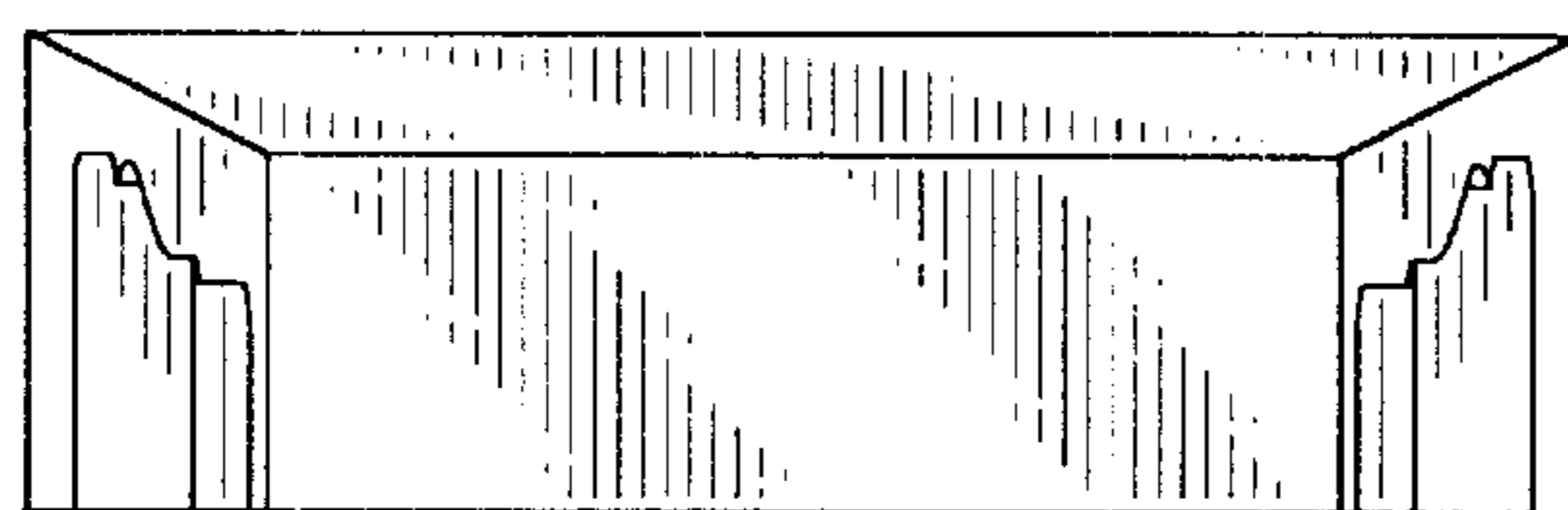


FIG-41

FIG-43

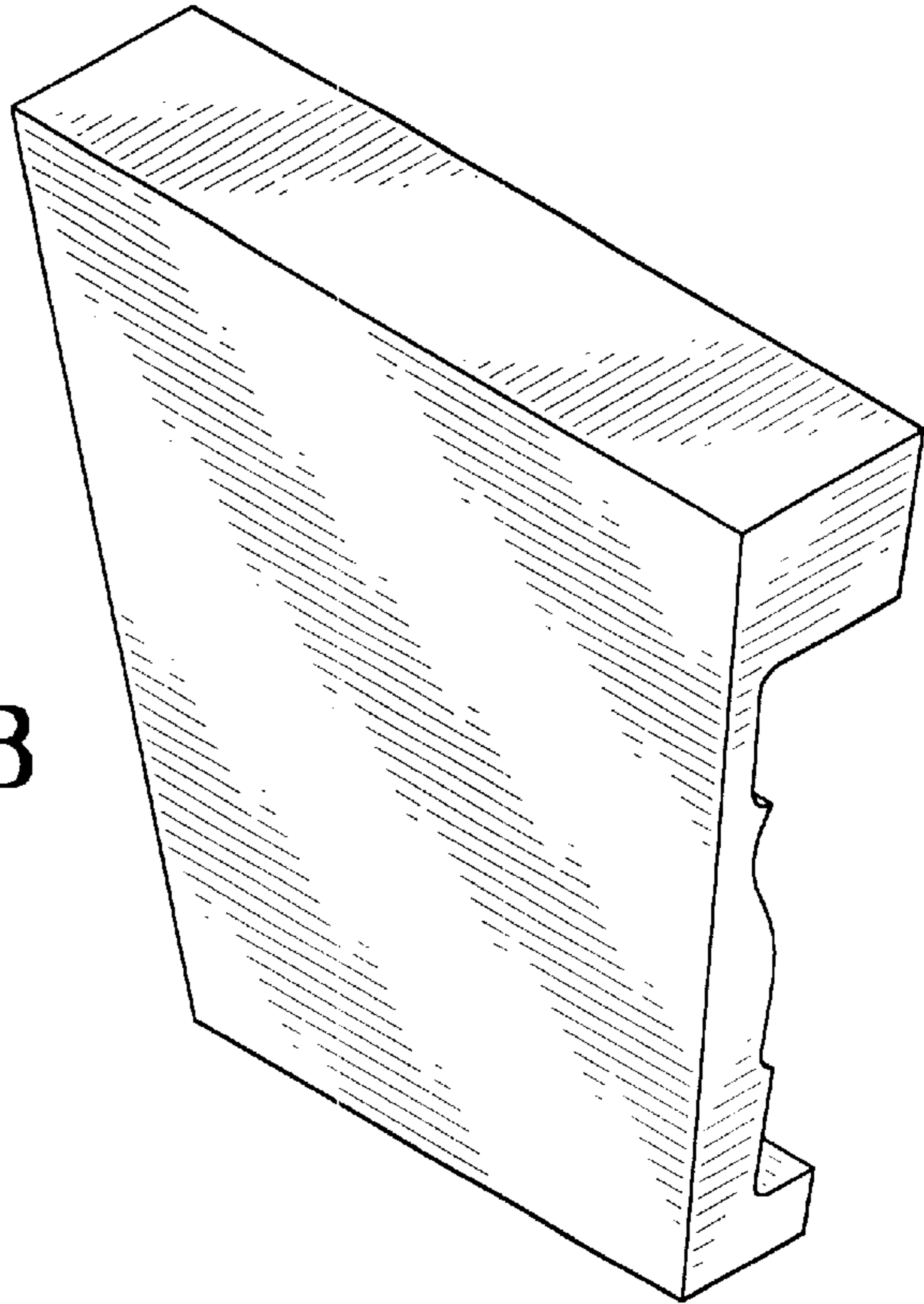
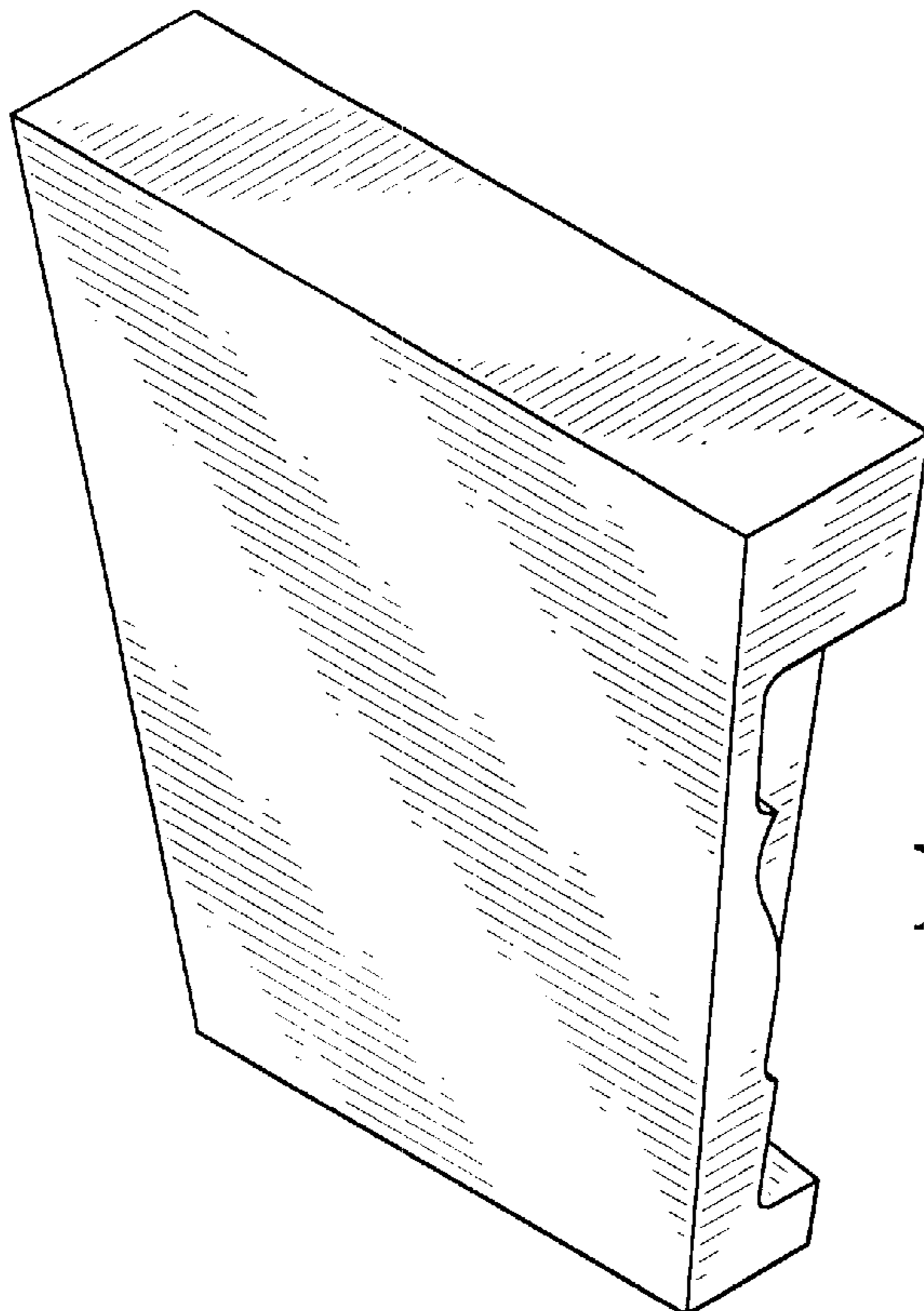


FIG-50



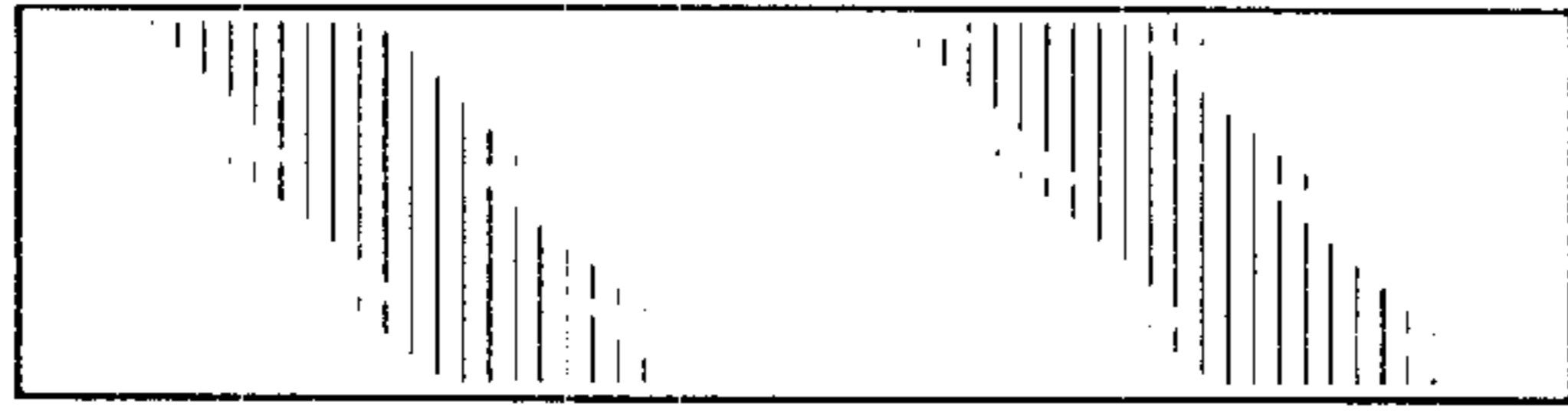


FIG-45

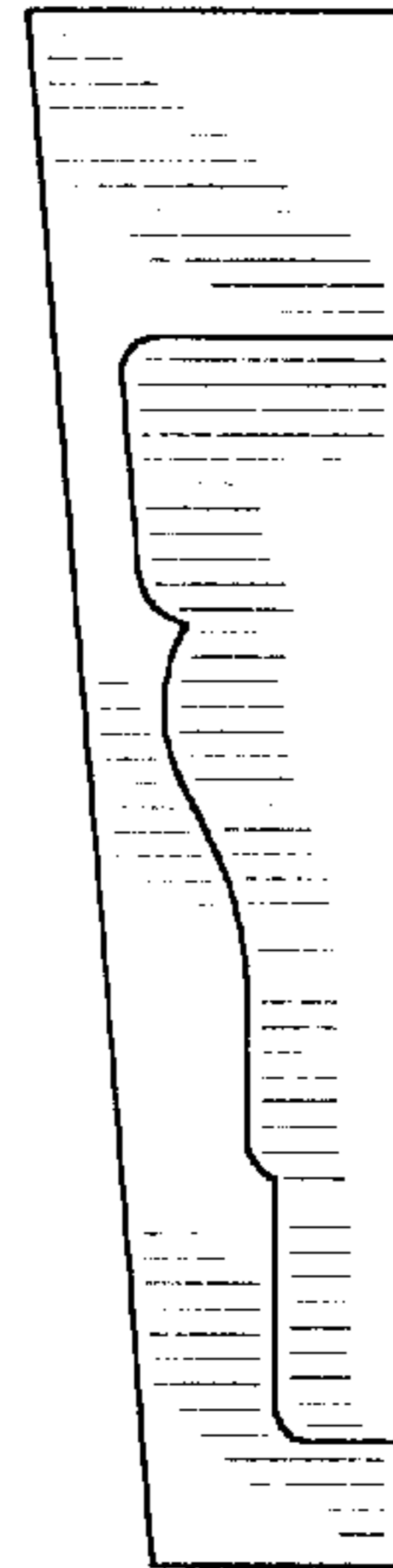


FIG-46

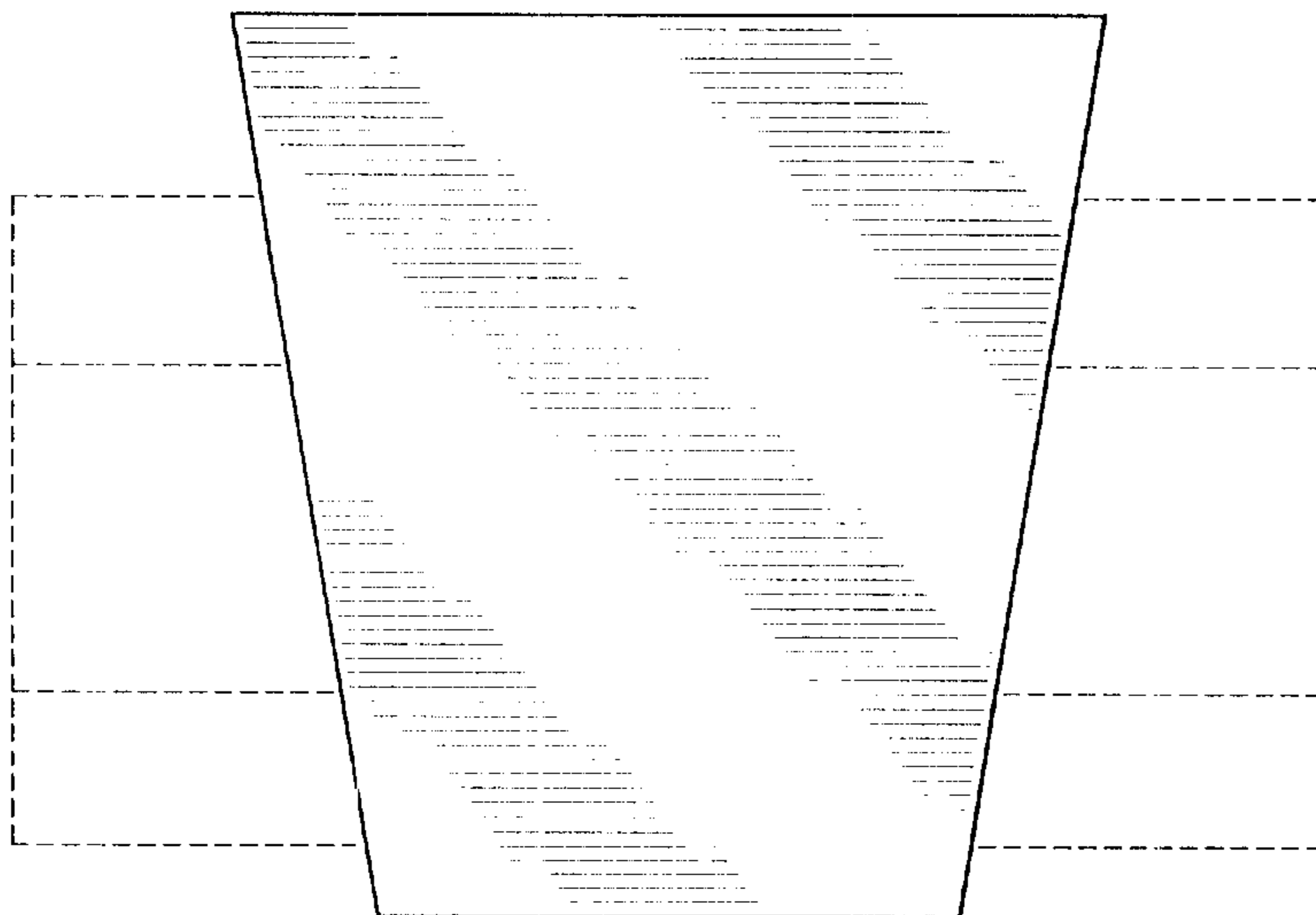


FIG-44

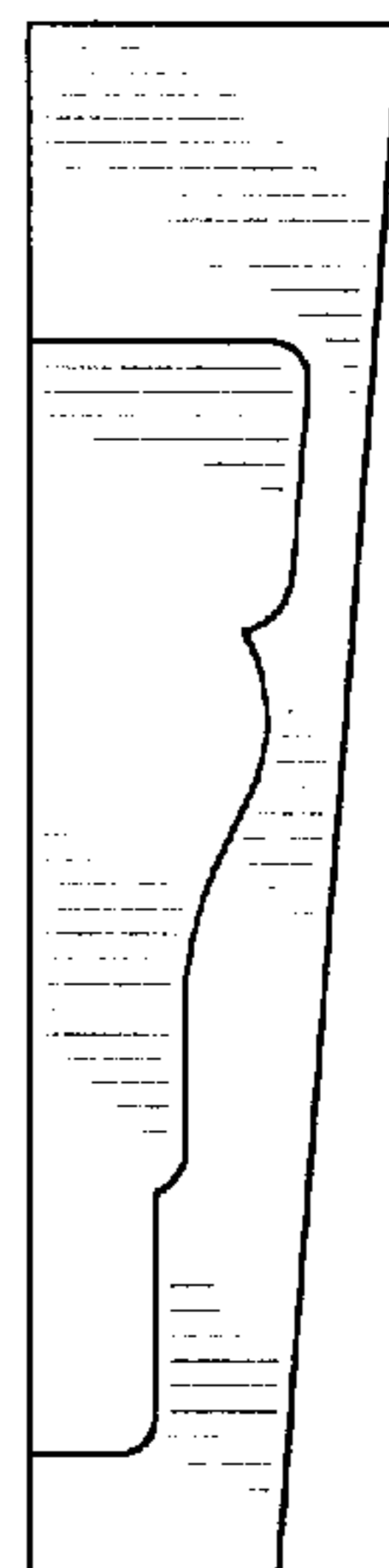


FIG-47

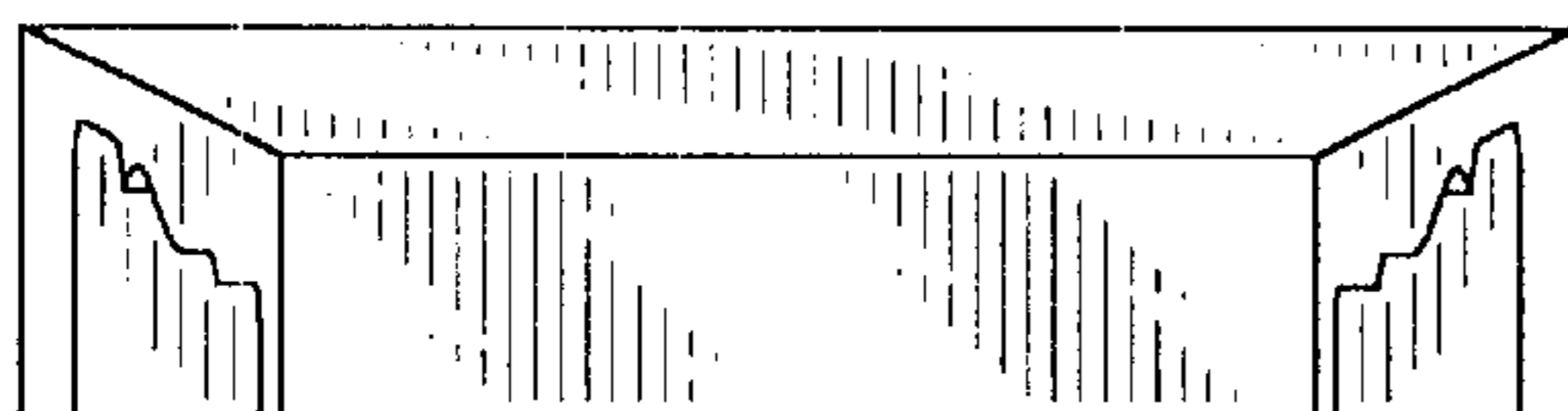


FIG-48

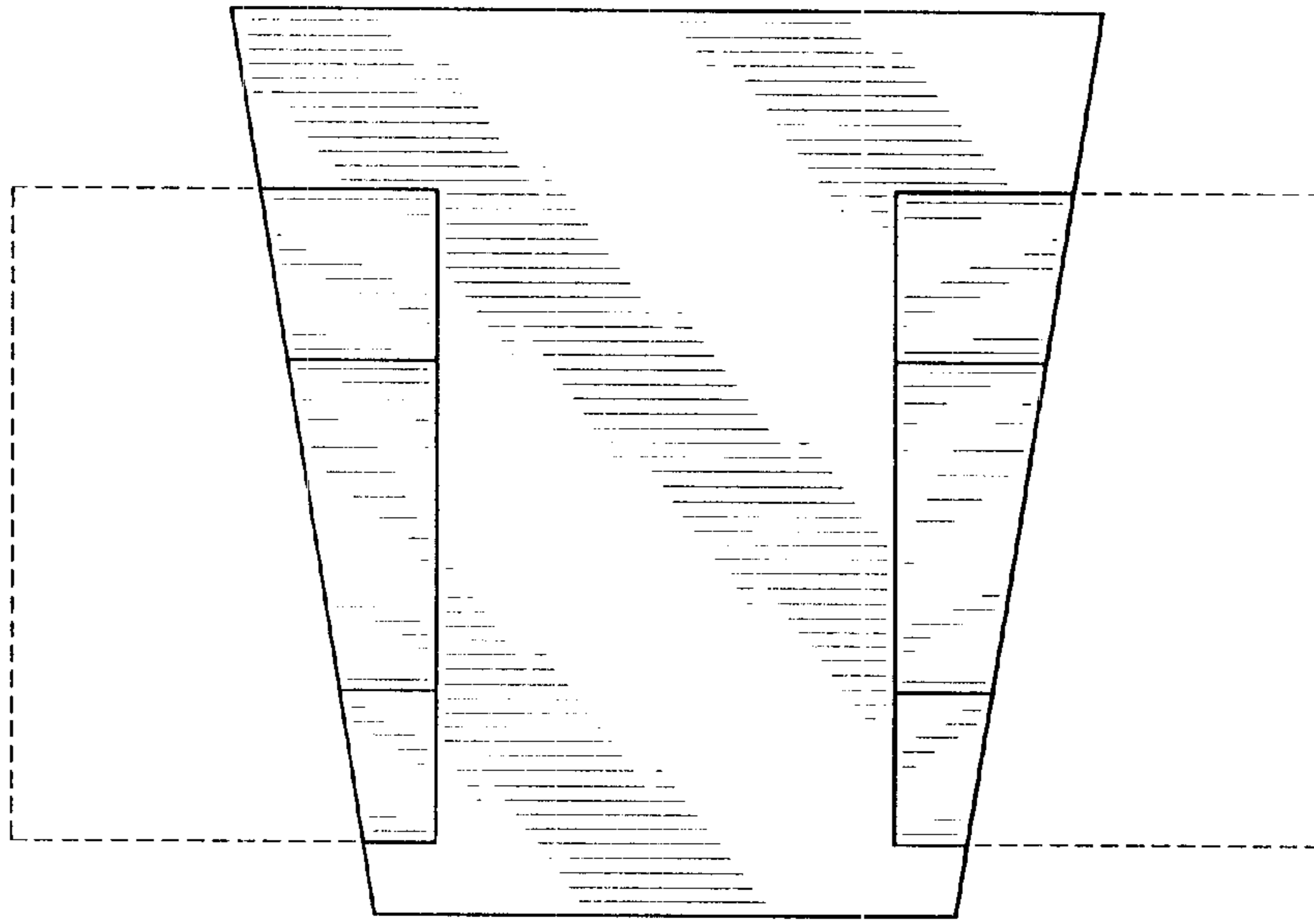


FIG-49

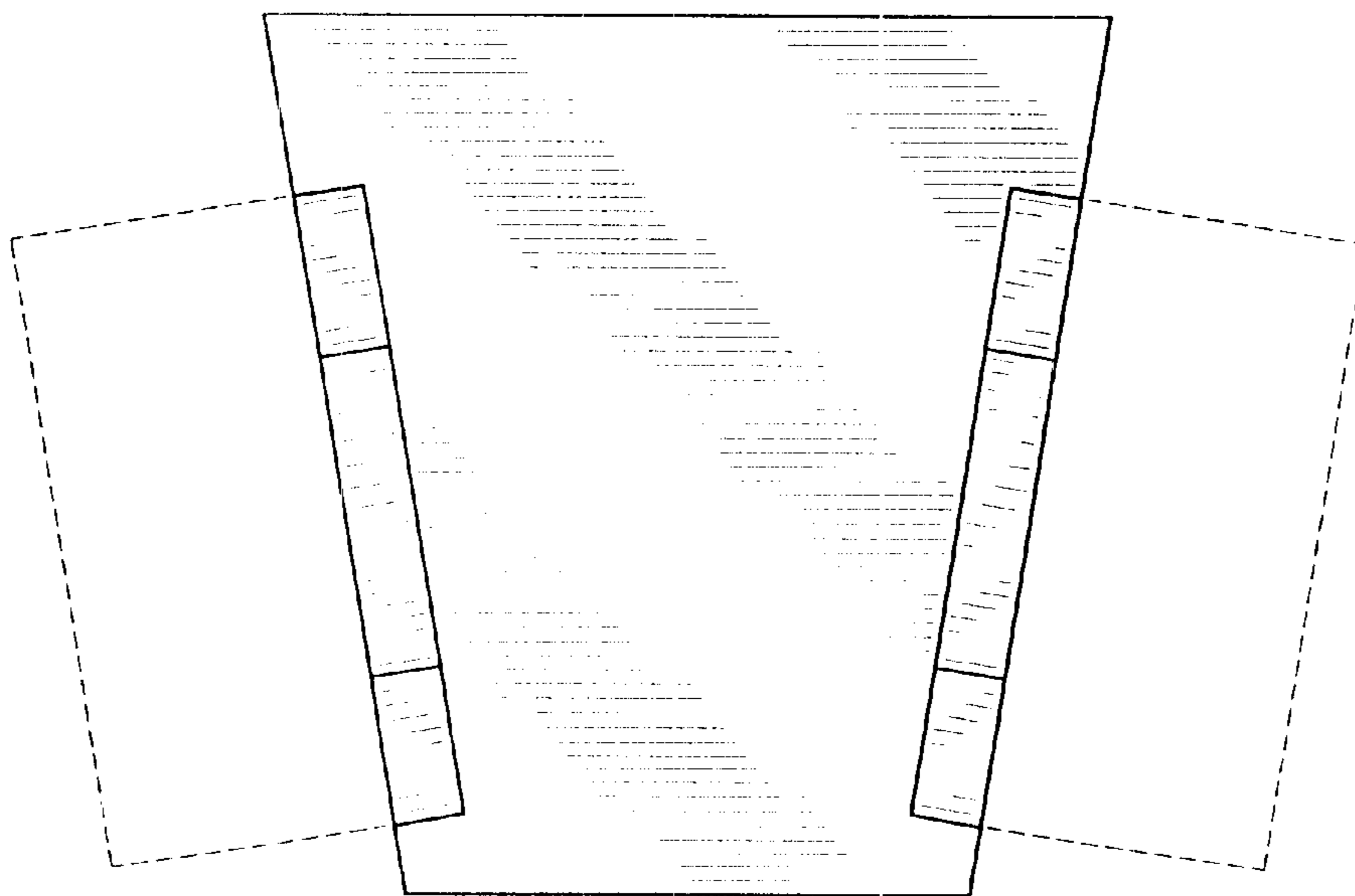


FIG-56

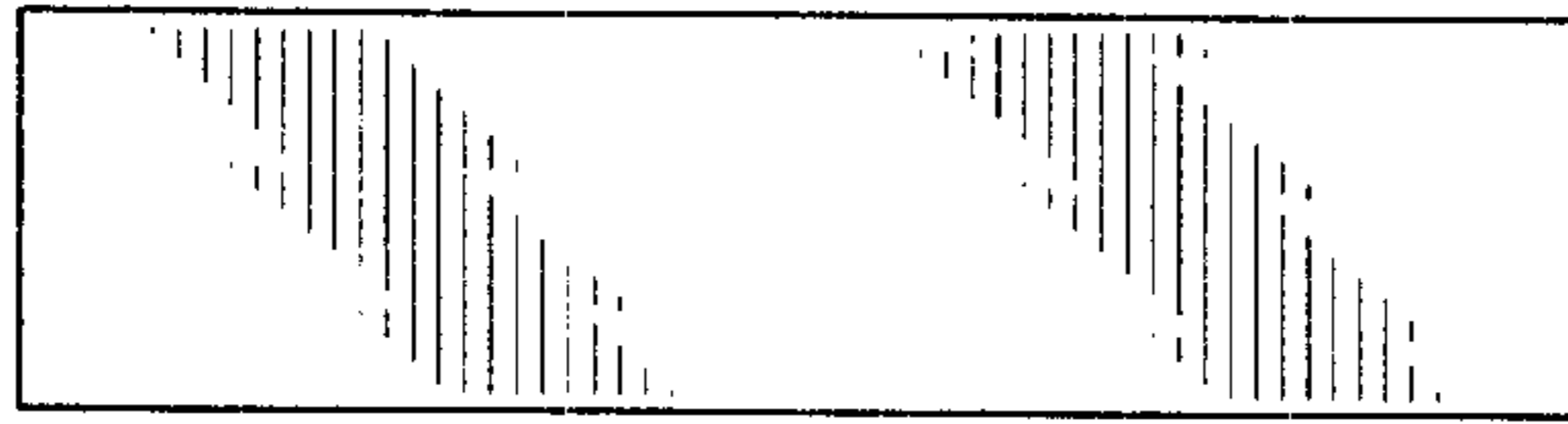


FIG-52

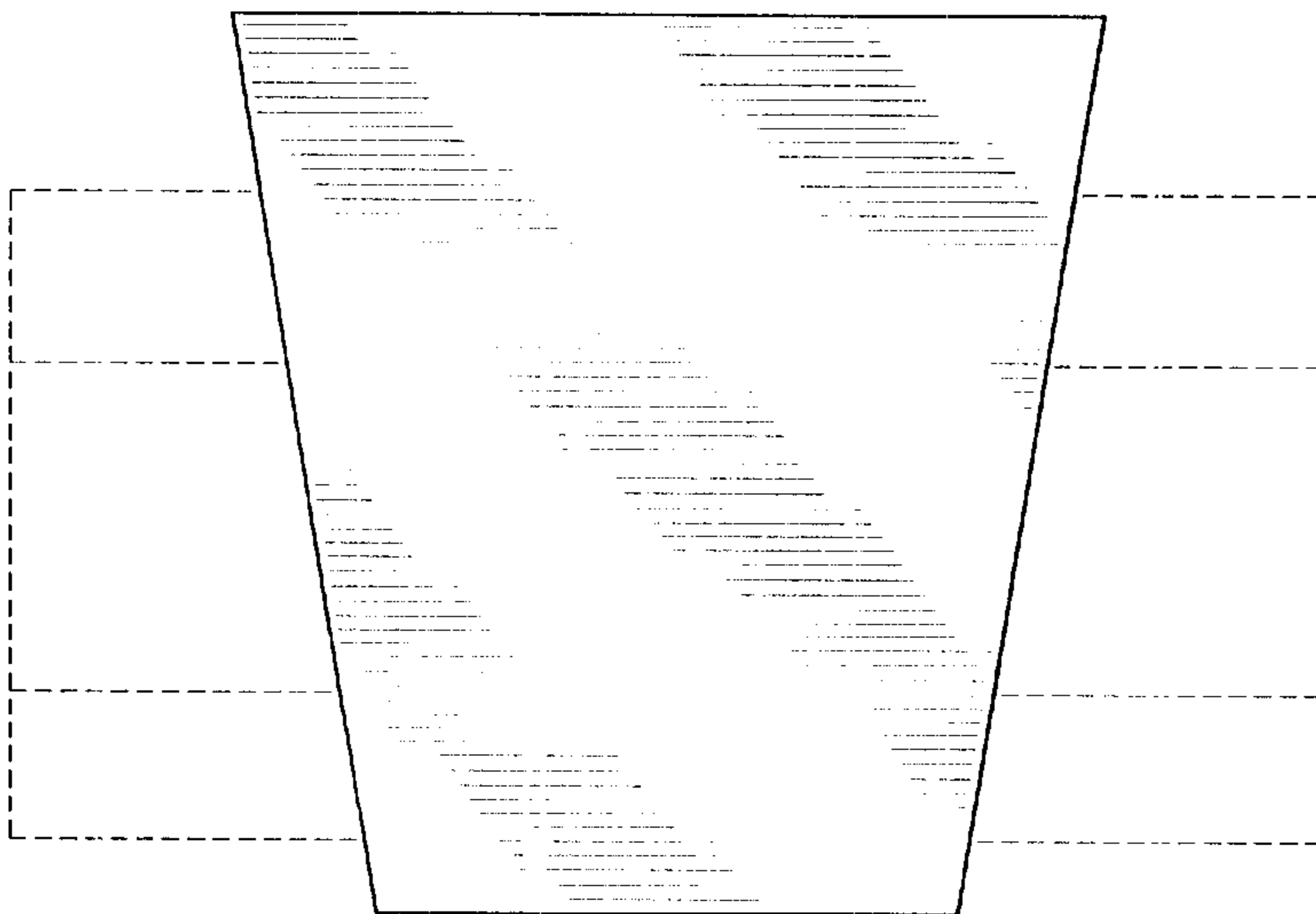


FIG-51

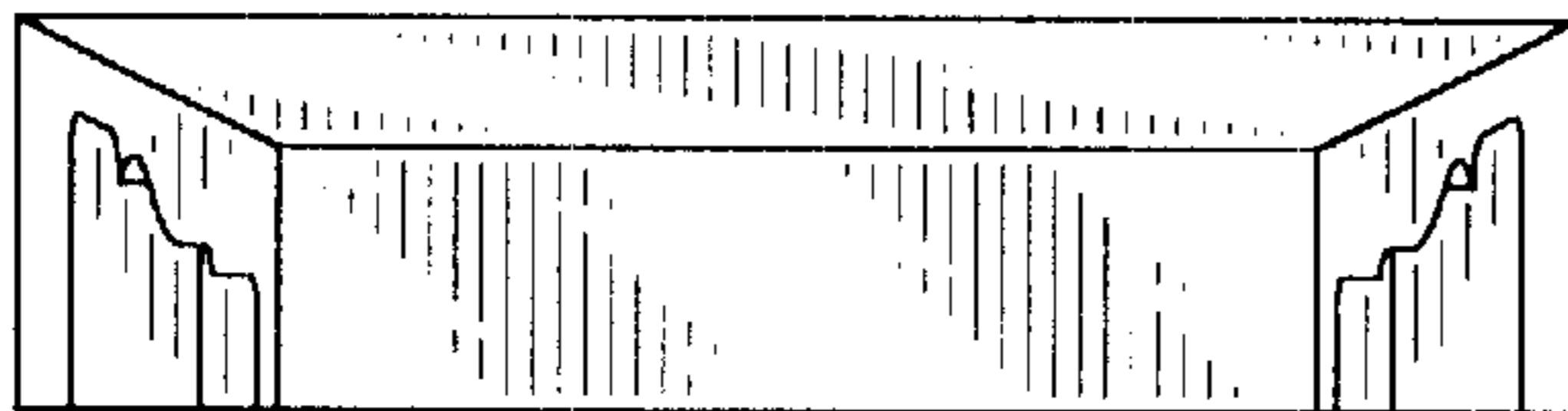


FIG-55

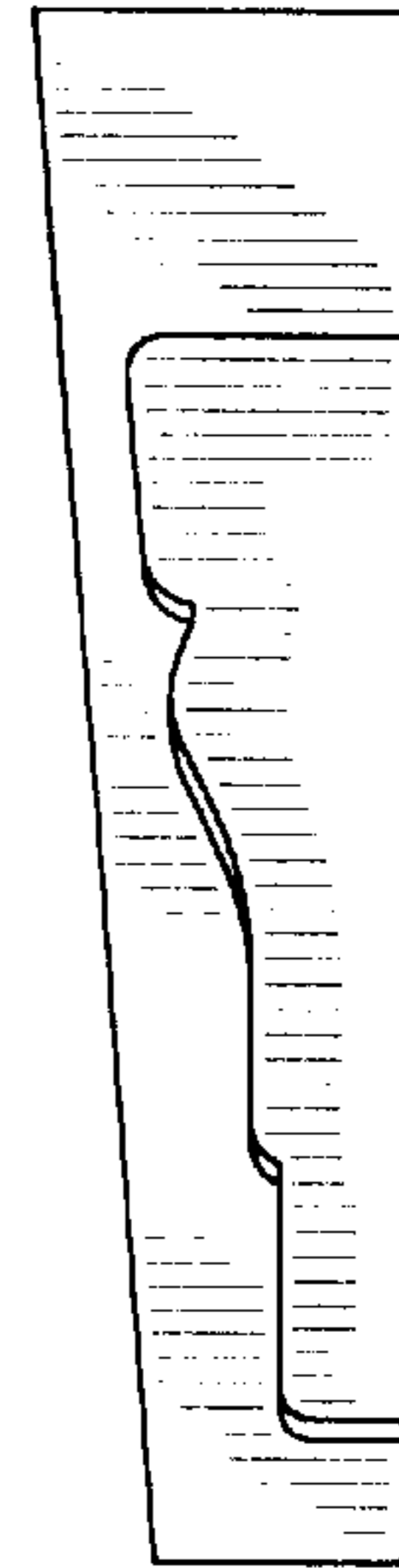


FIG-53

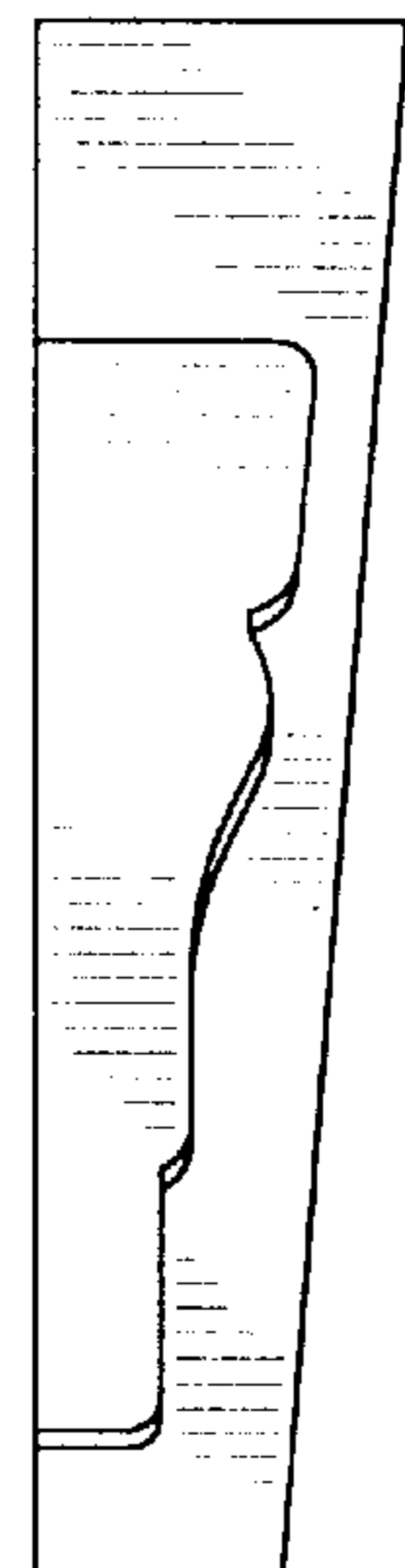


FIG-54