



US00D463573S

(12) **United States Design Patent**
Yoder

(10) **Patent No.:** **US D463,573 S**

(45) **Date of Patent:** **** Sep. 24, 2002**

(54) **WOOD TRIM CORNER PIECE**

(75) Inventor: **Noah L. Yoder**, Millersburg, OH (US)

(73) Assignee: **Keim Lumber Co.**, Millersburg, OH (US)

(**) Term: **14 Years**

(21) Appl. No.: **29/151,391**

(22) Filed: **Dec. 3, 2001**

(51) **LOC (7) Cl.** **25-02**

(52) **U.S. Cl.** **D25/55**

(58) **Field of Search** D25/55, 136; 52/212, 52/287.1, 718.01; 428/4

(56) **References Cited**

U.S. PATENT DOCUMENTS

1,765,931 A	6/1930	McMillen	
2,223,338 A	12/1940	Curren	
2,727,596 A	12/1955	Smith	
D210,821 S	* 4/1968	Stone D25/136
5,042,220 A	8/1991	Jackson	
5,526,618 A	6/1996	Thomas	
5,675,952 A	10/1997	French	
D403,449 S	* 12/1998	Searer D25/136
D404,834 S	* 1/1999	Iladis D25/55
5,941,033 A	8/1999	Adams	
5,966,891 A	10/1999	Fagan et al.	
6,047,507 A	4/2000	Lappin et al.	

* cited by examiner

Primary Examiner—Doris Clark

(74) *Attorney, Agent, or Firm*—Sand & Sebolt

(57) **CLAIM**

The ornamental design for a wood trim corner piece, as shown and described.

DESCRIPTION

FIG. 1 is a perspective view of a first embodiment of the wood trim corner piece showing an ornamented front face and a first cut-out profile in a side wall;

FIG. 2 is a front view thereof showing, in phantom, two pieces of wood trim disposed in the corner piece which does not form part of the claimed design;

FIG. 3 is a top plan view thereof;

FIG. 4 is a right side view thereof;

FIG. 5 is a left side view thereof;

FIG. 6 is a bottom view thereof;

FIG. 7 is a rear view thereof showing, in phantom, two pieces of wood trim disposed in the corner piece which does not form part of the claimed design.

FIG. 8 is a perspective view of a second embodiment of the wood trim corner piece showing a non-ornamented front face and a first cut-out profile in a side wall;

FIG. 9 is a front view thereof showing, in phantom, two pieces of wood trim disposed in the corner piece which does not form part of the claimed design.

FIG. 10 is a perspective view of a third embodiment of the wood trim corner piece showing an ornamented front face and a second cut-out profile in a side wall;

FIG. 11 is a front view thereof showing, in phantom, two pieces of wood trim disposed in the corner piece which does not form part of the claimed design;

FIG. 12 is a top plan view thereof;

FIG. 13 is a right side view thereof;

FIG. 14 is a left side view thereof;

FIG. 15 is a bottom view thereof;

FIG. 16 is a rear view thereof showing, in phantom, two pieces of wood trim disposed in the corner piece which does not form part of the claimed design.

FIG. 17 is a perspective view of a fourth embodiment of the wood trim corner piece showing a non-ornamented front face and a second cut-out profile in a side wall;

FIG. 18 is a front view thereof showing, in phantom, two pieces of wood disposed in the corner piece which does not form part of the claimed design.

FIG. 19 is a perspective view of a fifth embodiment of the wood trim corner piece showing an ornamented front face and a third cut-out profile in a side wall;

FIG. 20 is a front view thereof showing, in phantom, two pieces of wood trim disposed in the corner piece which does not form part of the claimed design;

FIG. 21 is a top plan view thereof;

FIG. 22 is a right side view thereof;

FIG. 23 is a left side view thereof;

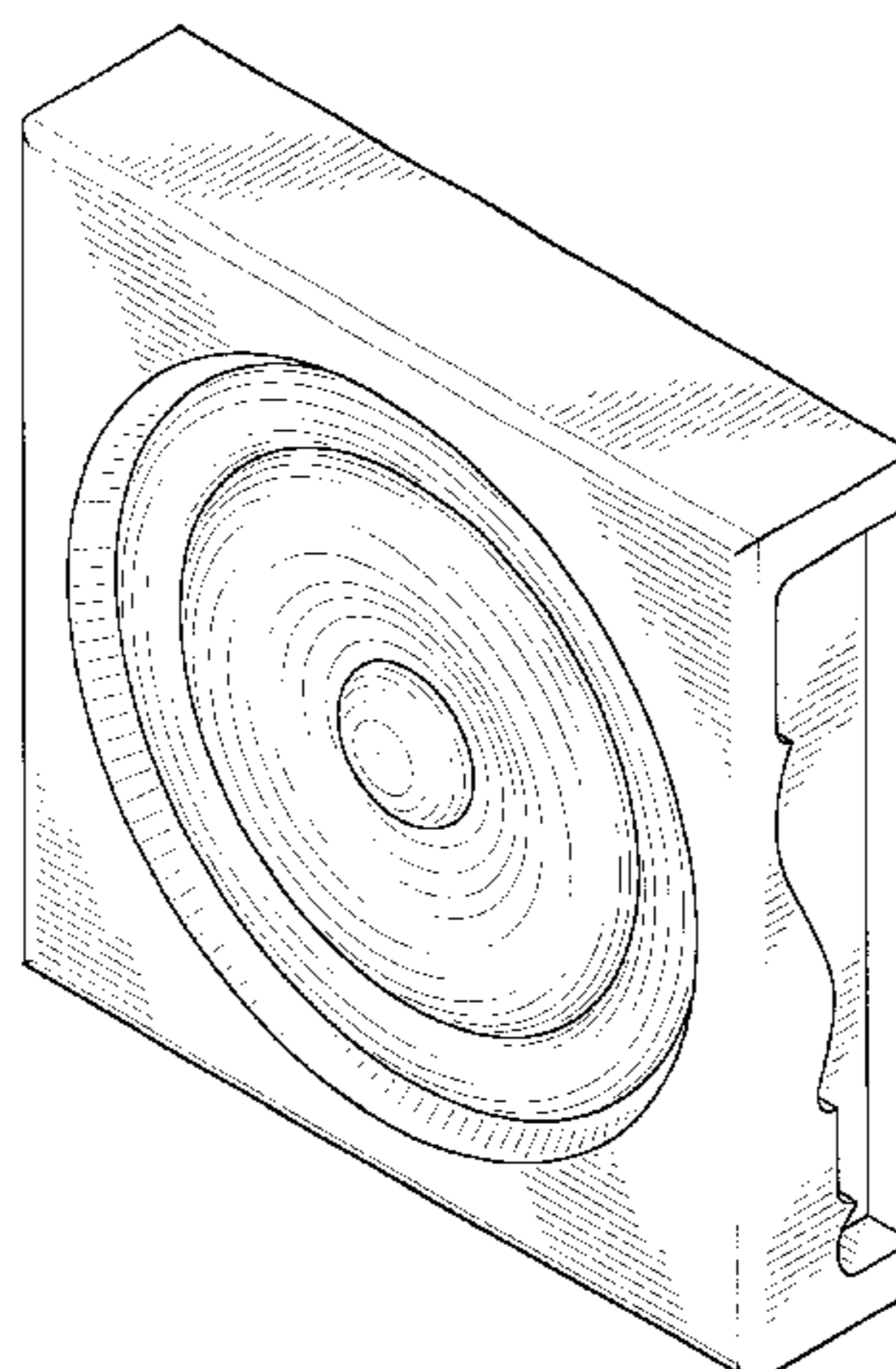


FIG. 24 is a bottom view thereof;

FIG. 25 is a rear view thereof showing, in phantom, two pieces of wood disposed in the corner piece which does not form part of the claimed design.

FIG. 26 is a perspective view of a sixth embodiment of a wood trim corner piece showing a non-ornamented front face and a third cut-out profile in a side wall;

FIG. 27 is a front view thereof showing, in phantom, two pieces of wood disposed in the corner piece which does not form part of the claimed design.

FIG. 28 is a perspective view of a seventh embodiment of the wood trim corner piece showing an ornamented front face and a fourth cut-out profile in a side wall;

FIG. 29 is a front view thereof showing, in phantom, two pieces of wood trim disposed in the corner piece;

FIG. 30 is a top plan view thereof;

FIG. 31 is a right side view thereof;

FIG. 32 is a left side view thereof;

FIG. 33 is a bottom view thereof;

FIG. 34 is a rear view thereof showing, in phantom, two pieces of wood disposed in the corner piece which does not form part of the claimed design.

FIG. 35 is a perspective view of an eighth embodiment of a wood trim corner piece showing a non-ornamented front face and a fourth cut-out profile in a side wall;

FIG. 36 is a front view thereof showing, in phantom, two pieces of wood disposed in the corner piece which does not form part of the claimed design.

1 Claim, 12 Drawing Sheets

FIG-1

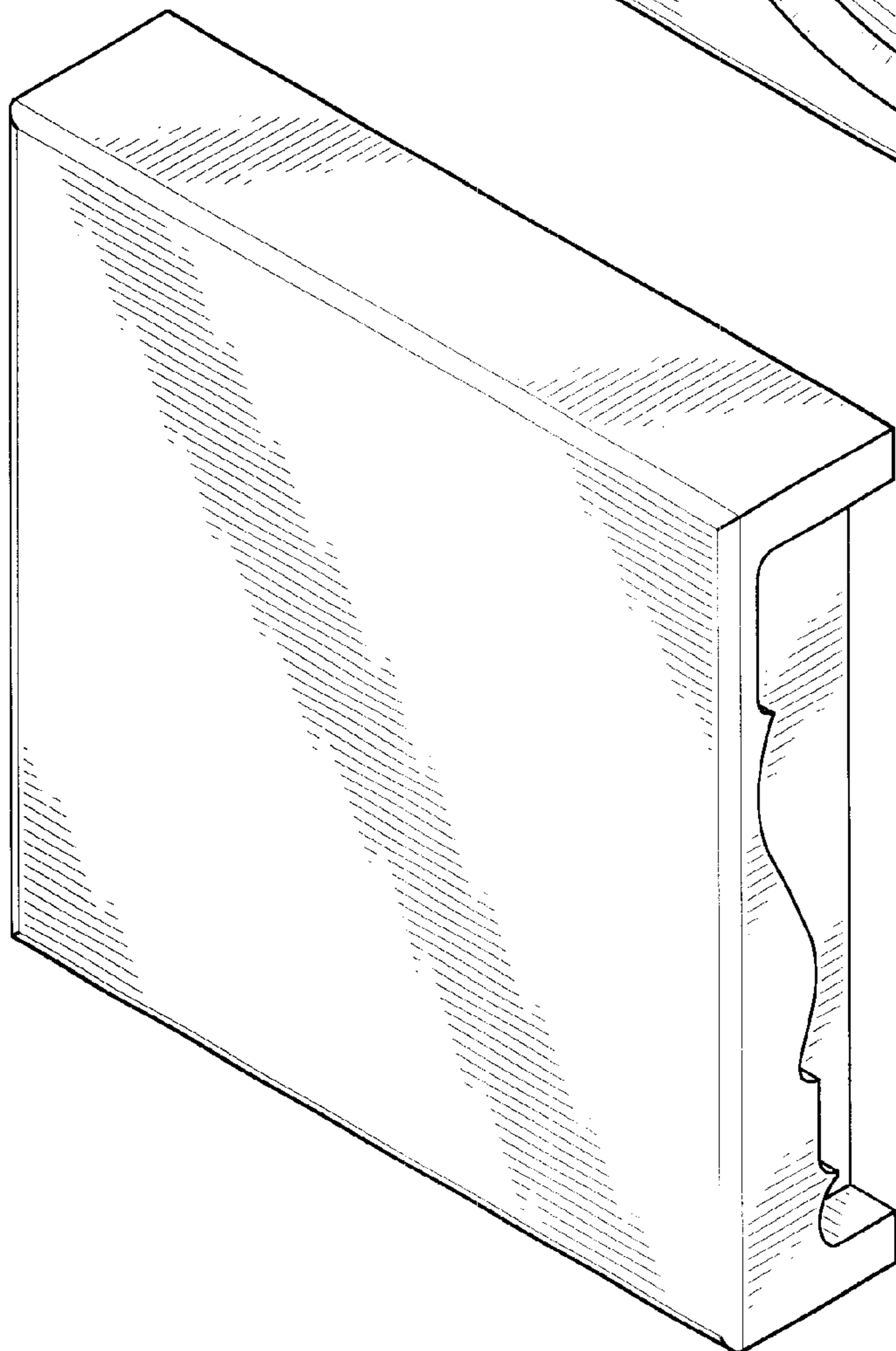
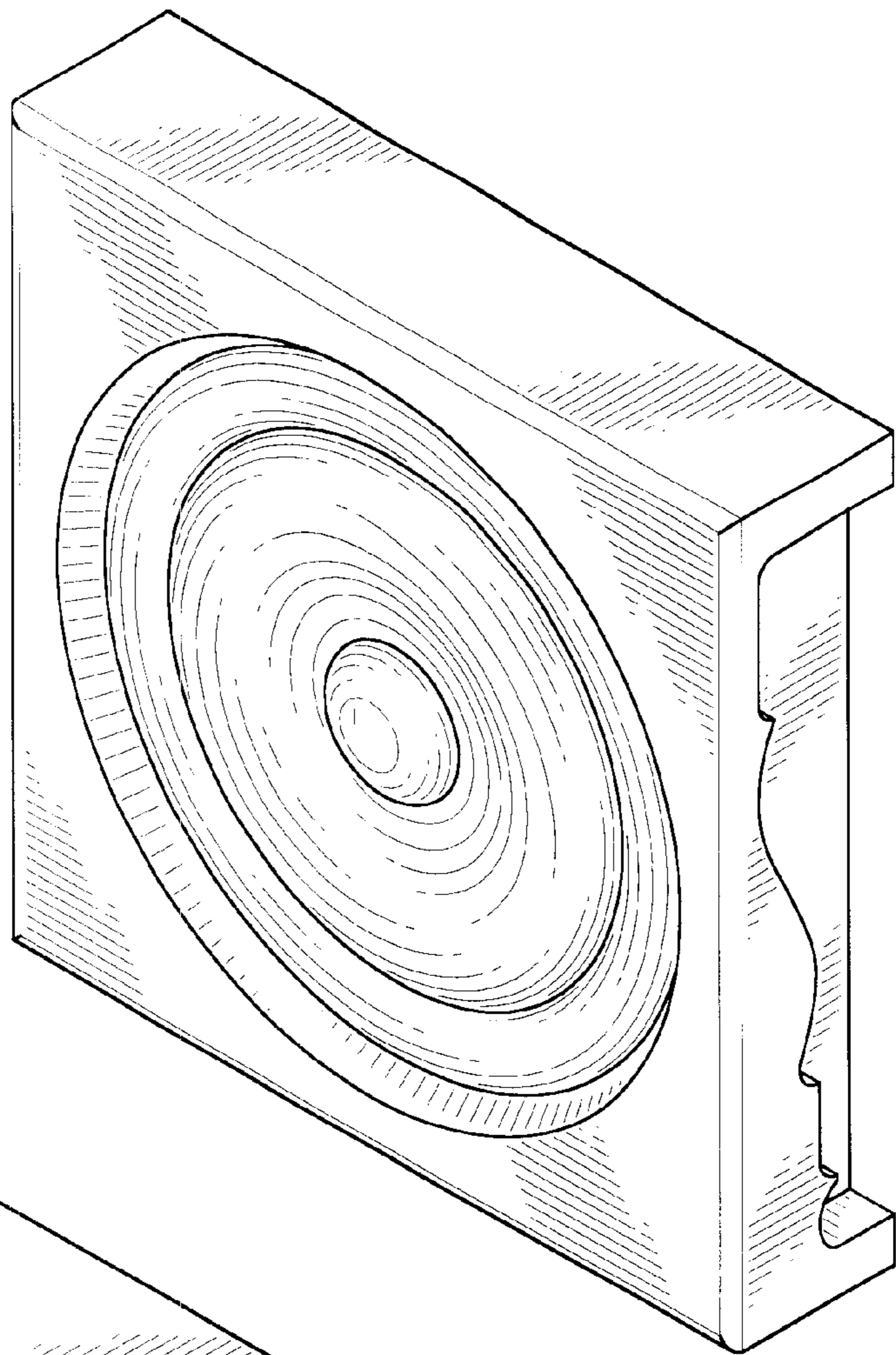


FIG-8

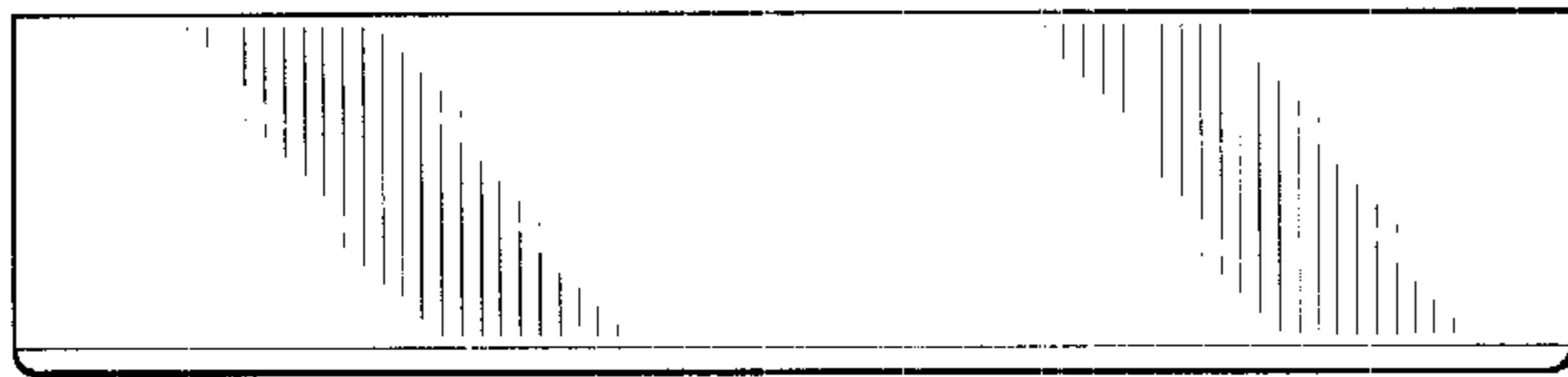


FIG-3

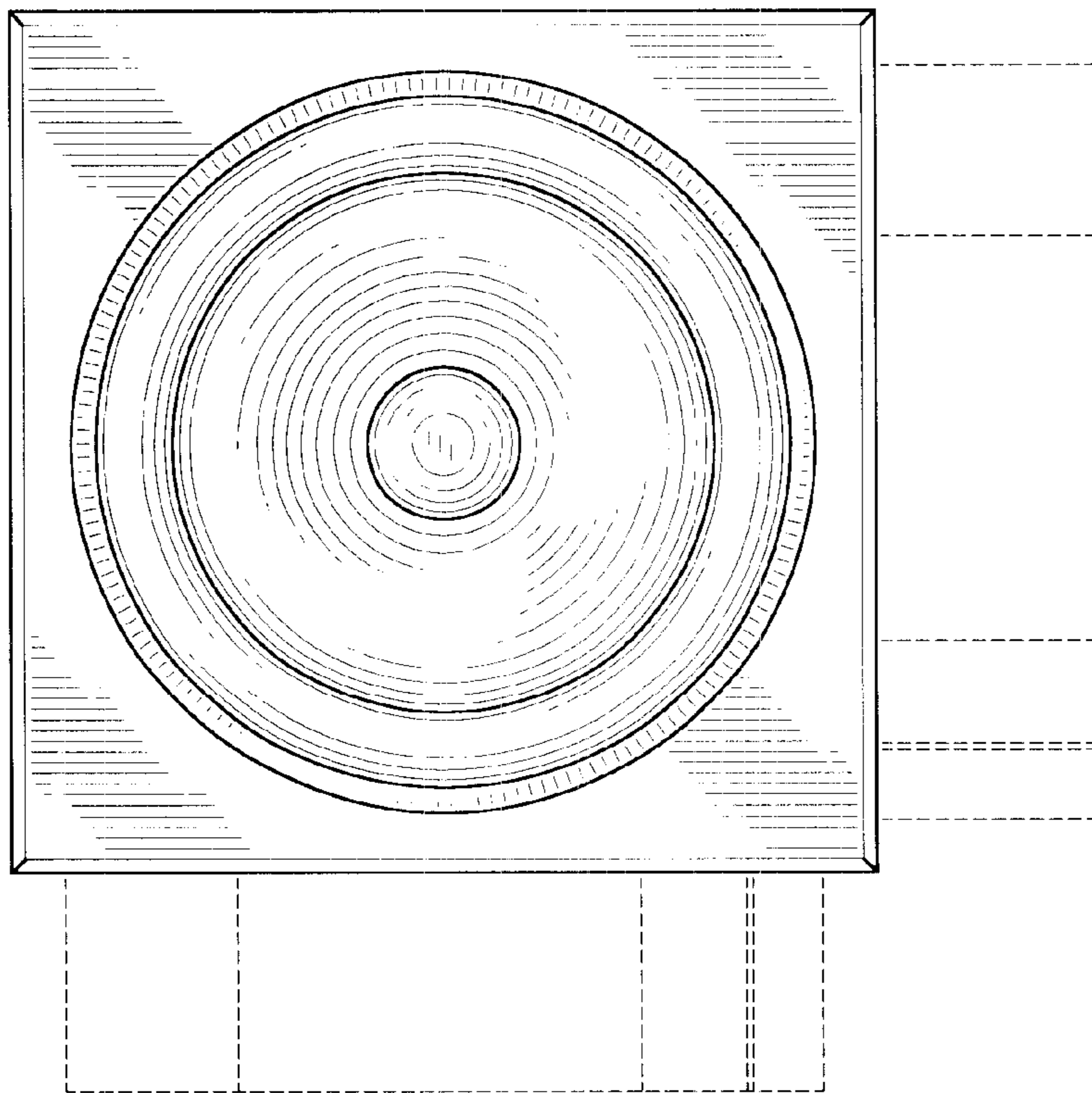


FIG-2

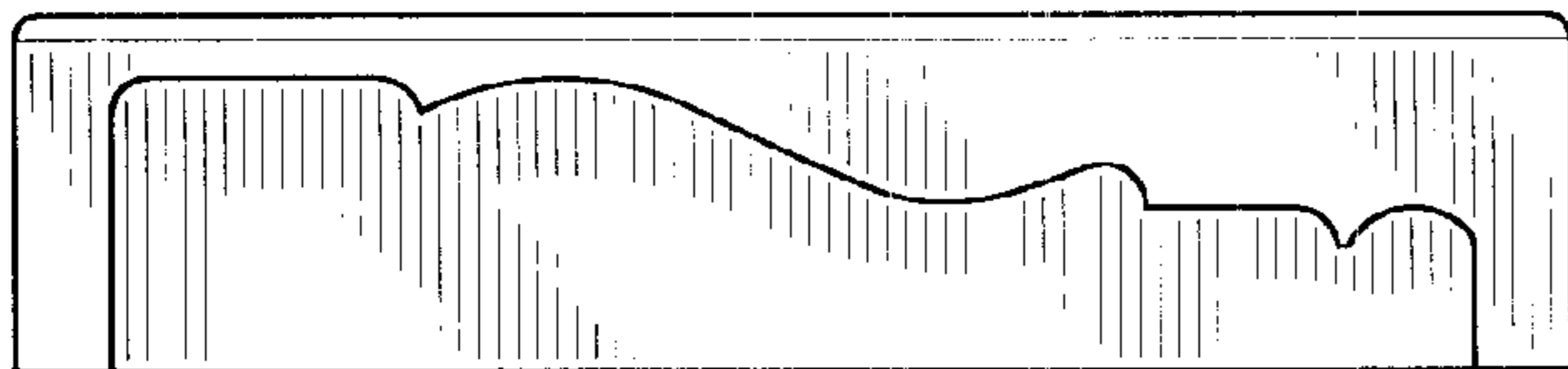


FIG-6

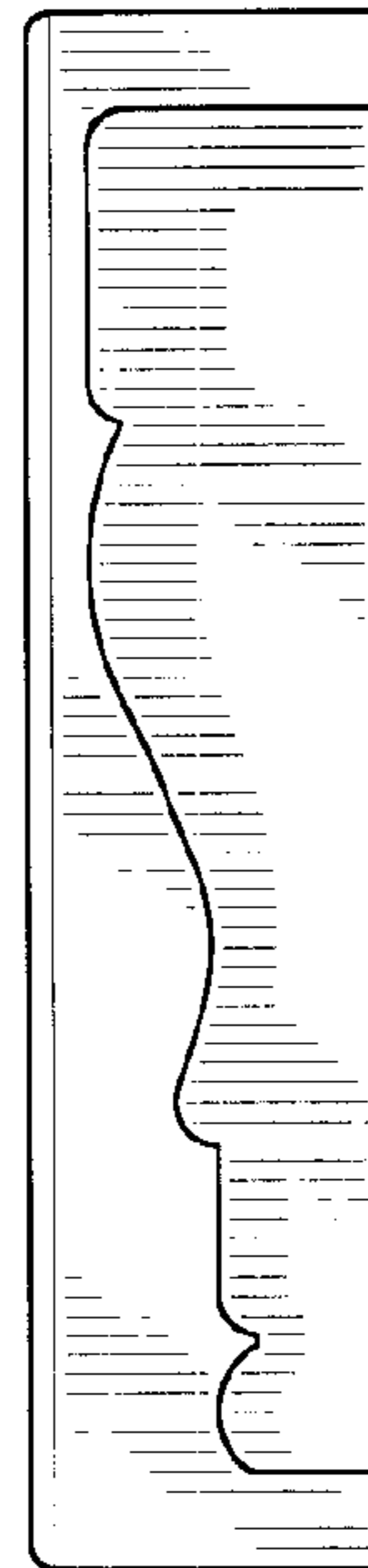


FIG-4

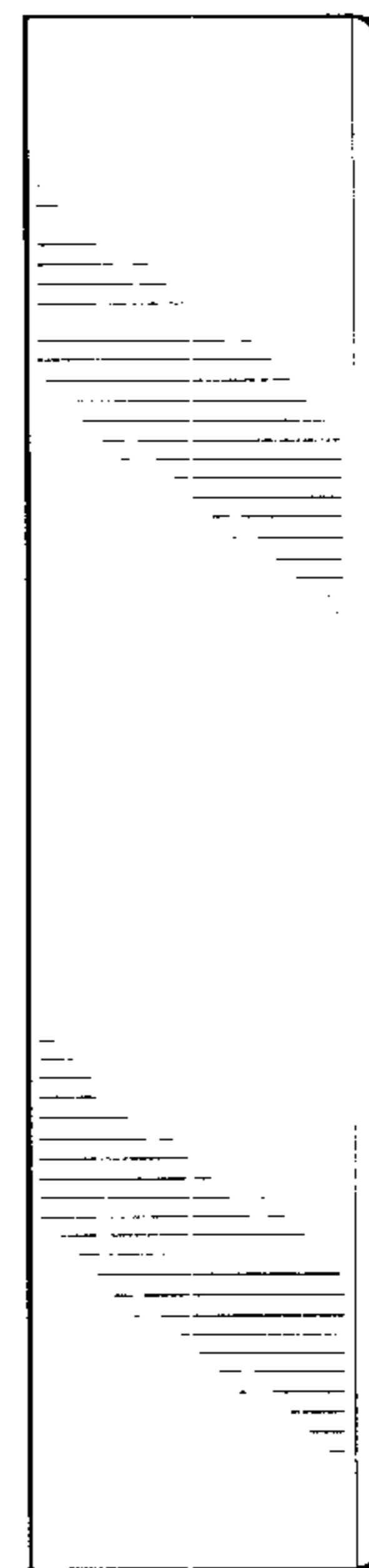
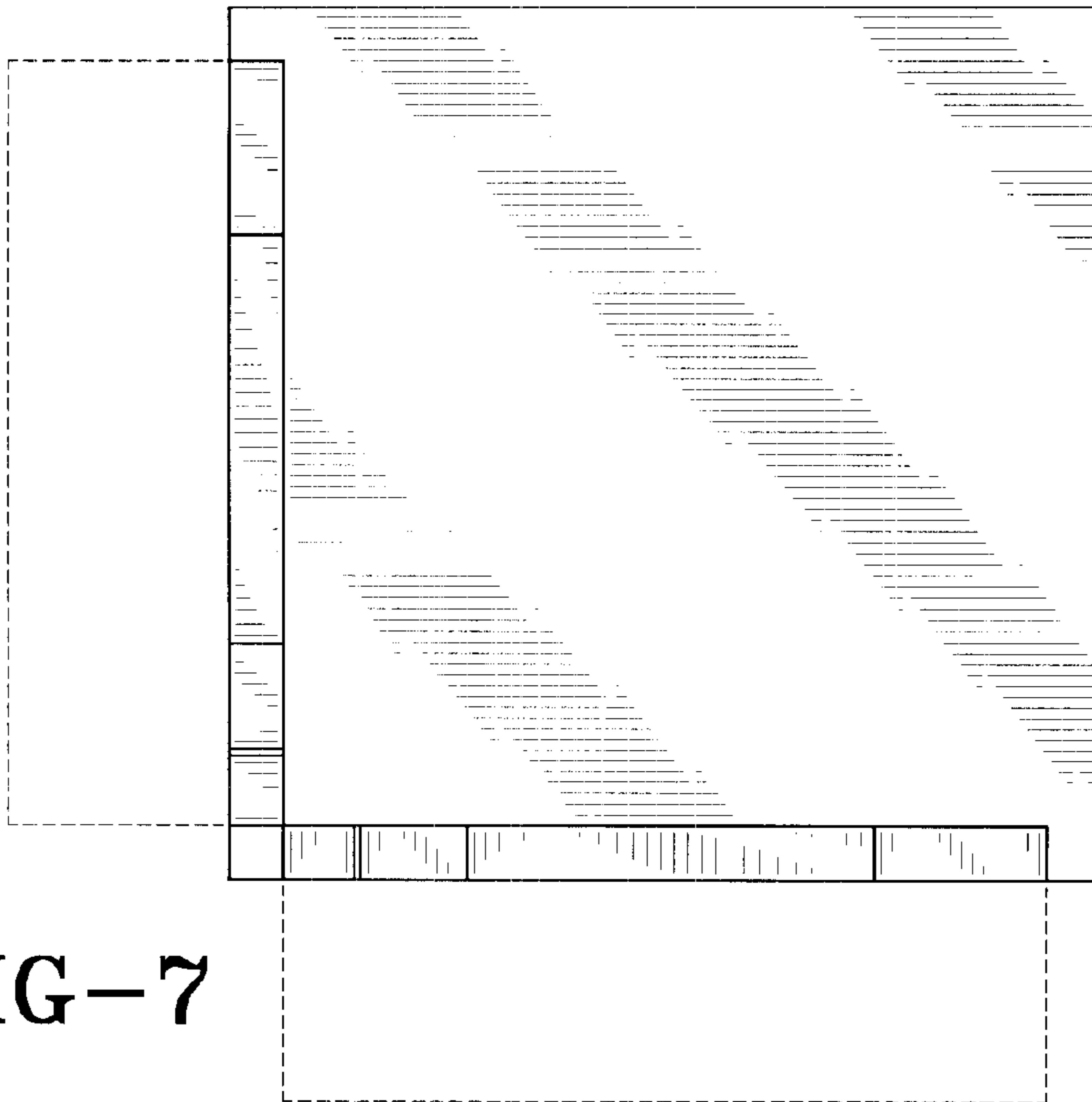


FIG-5



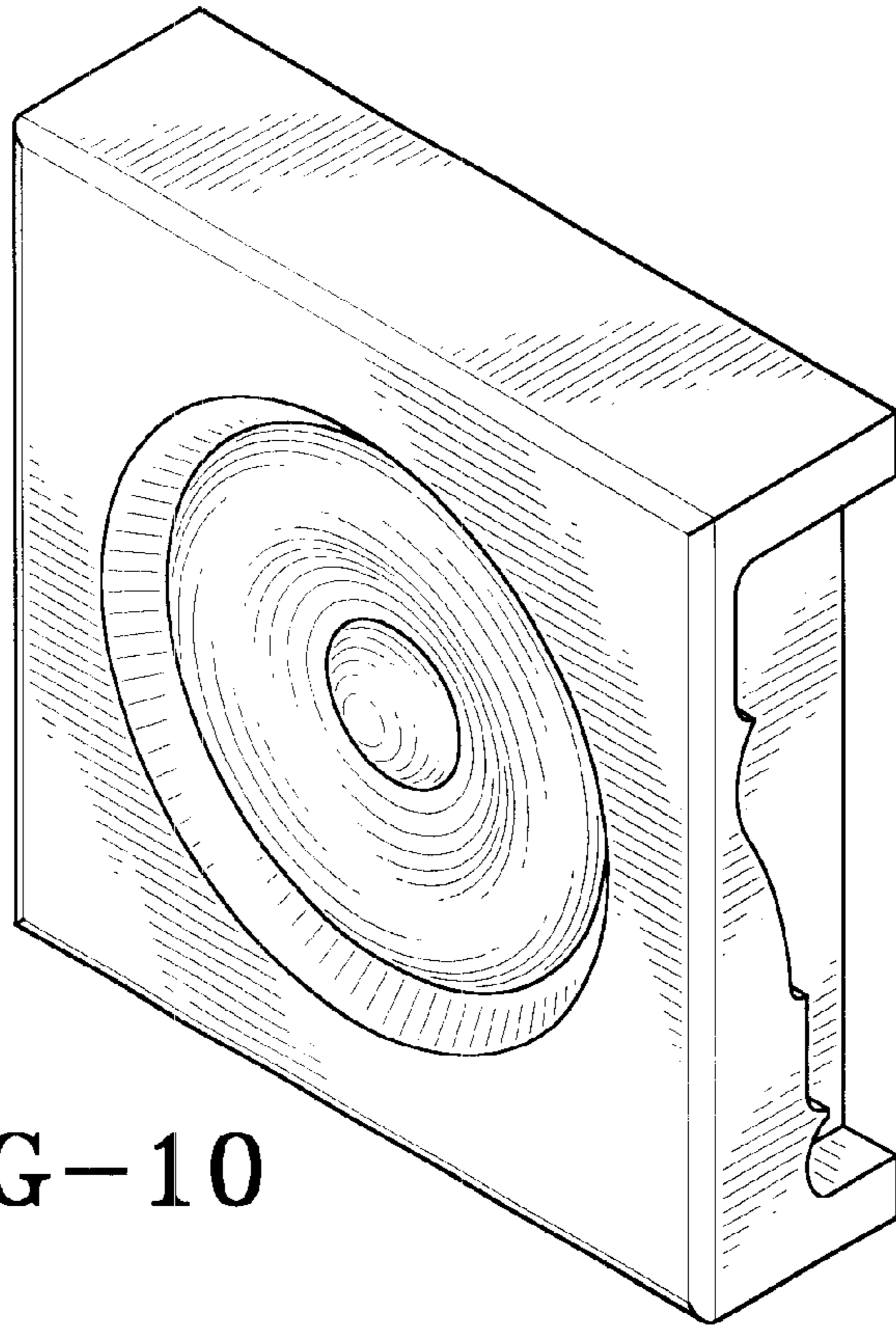


FIG-10

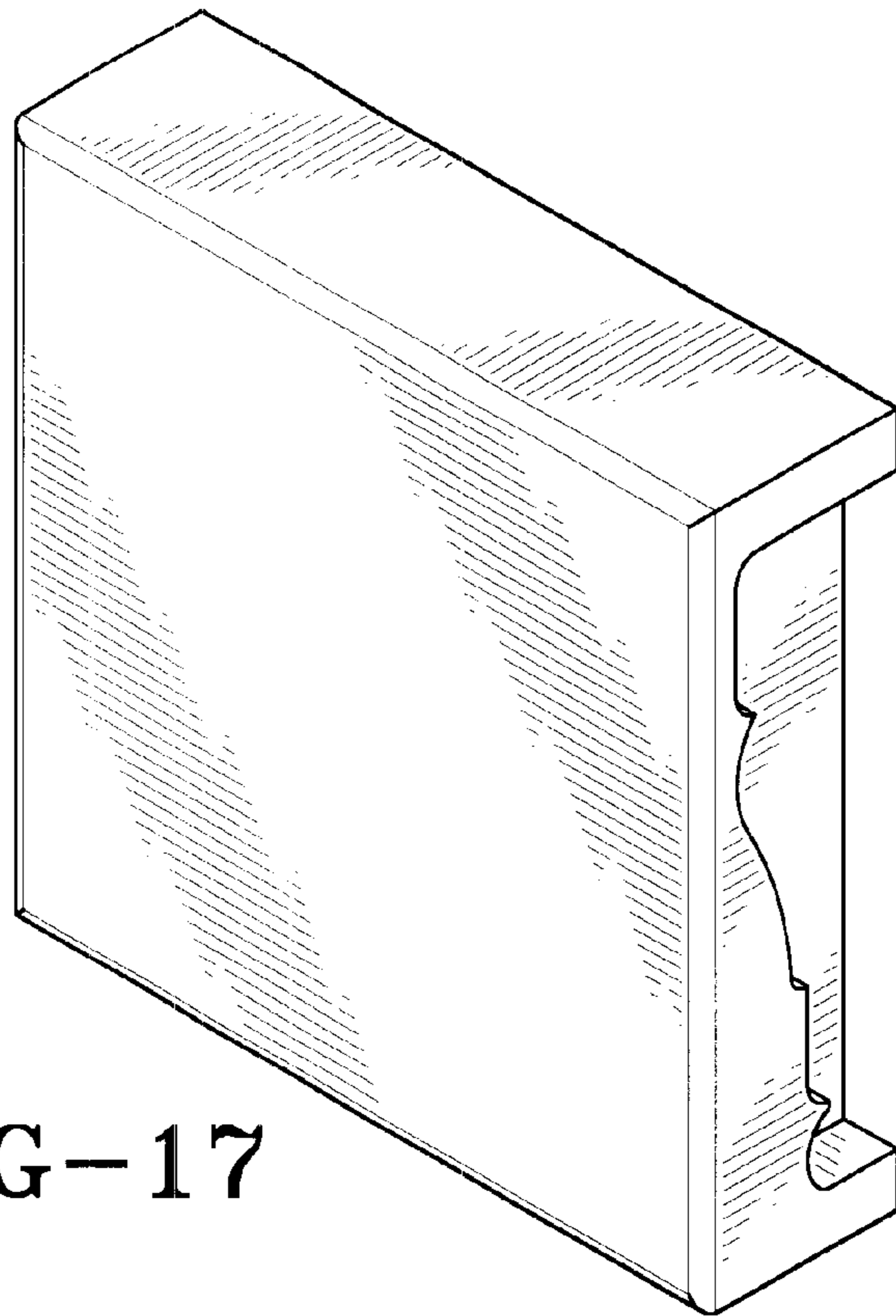


FIG-17

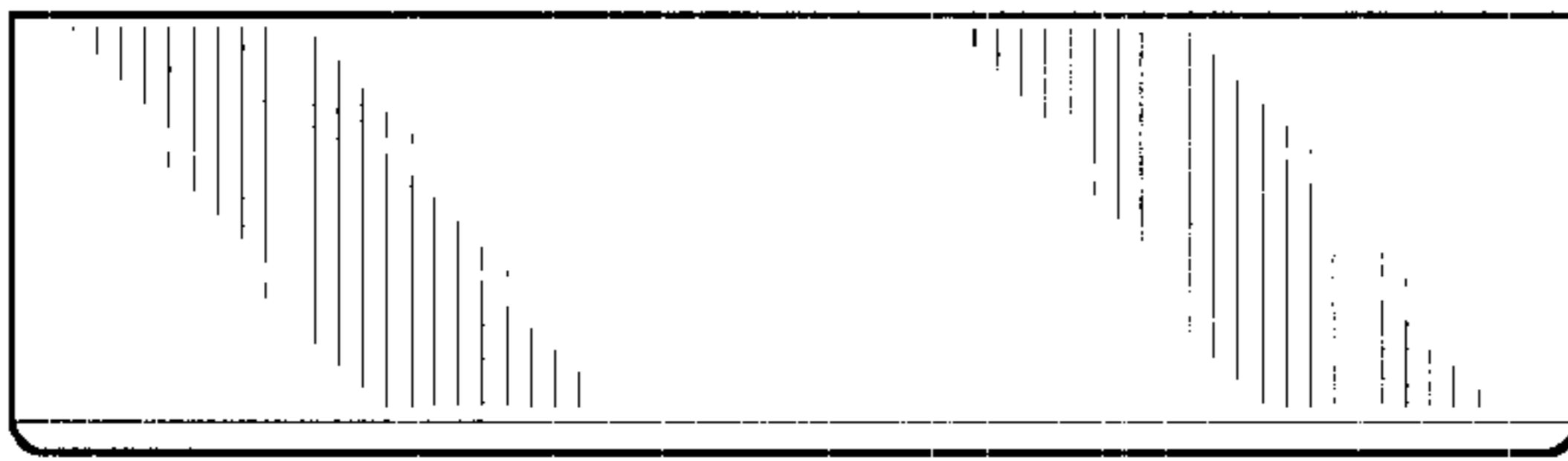


FIG-12

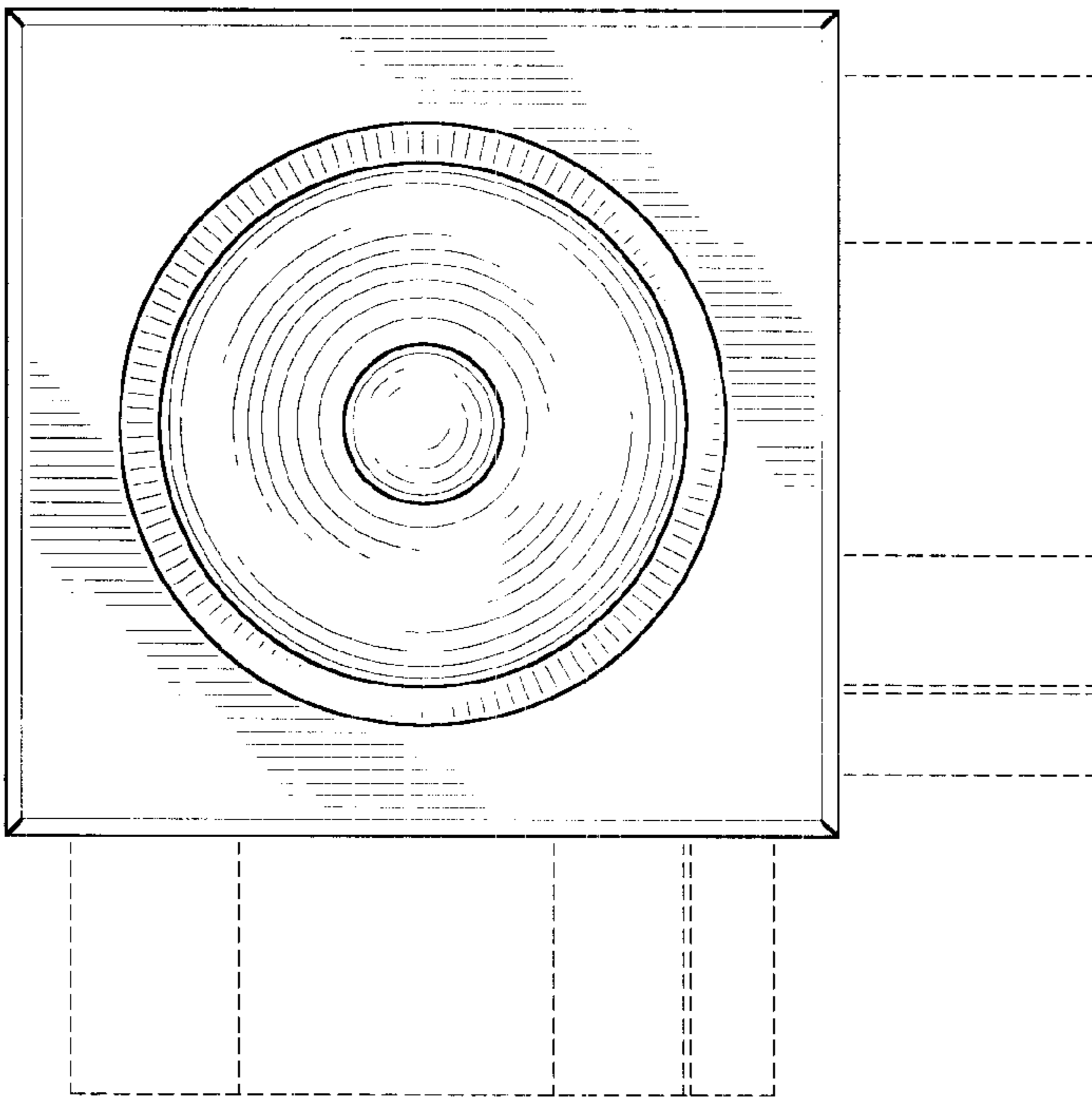


FIG-11

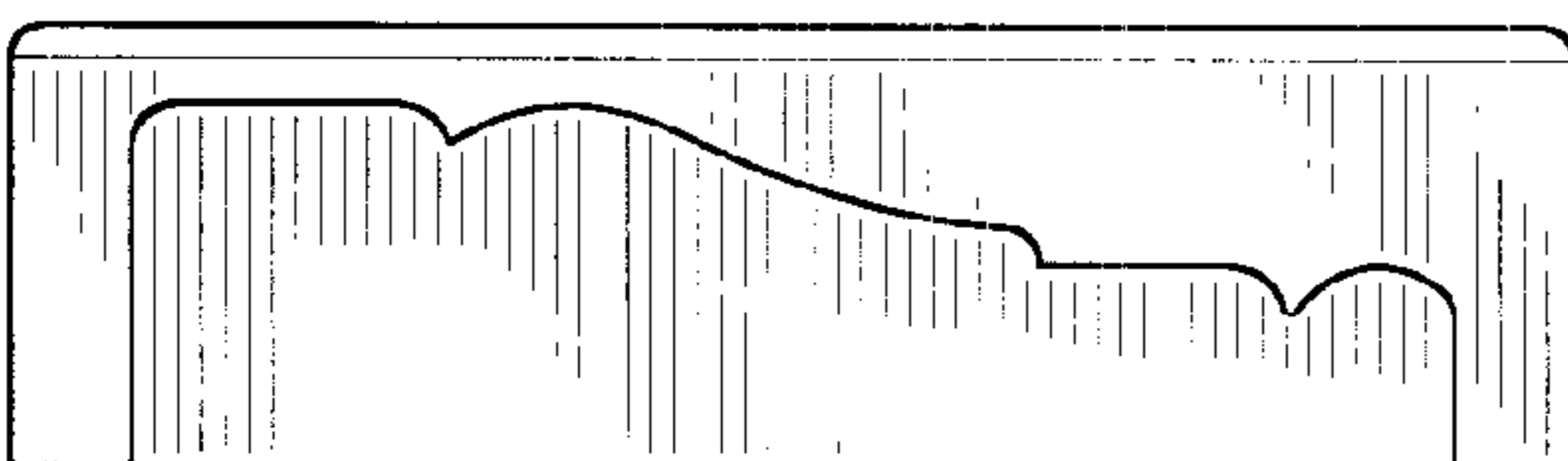


FIG-15

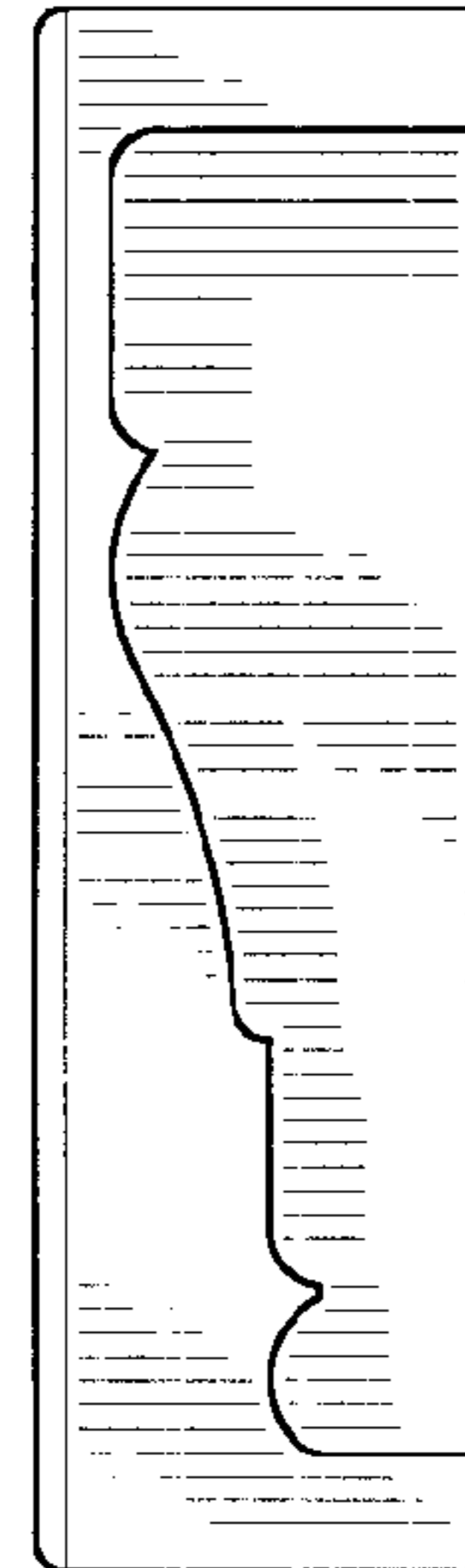


FIG-13

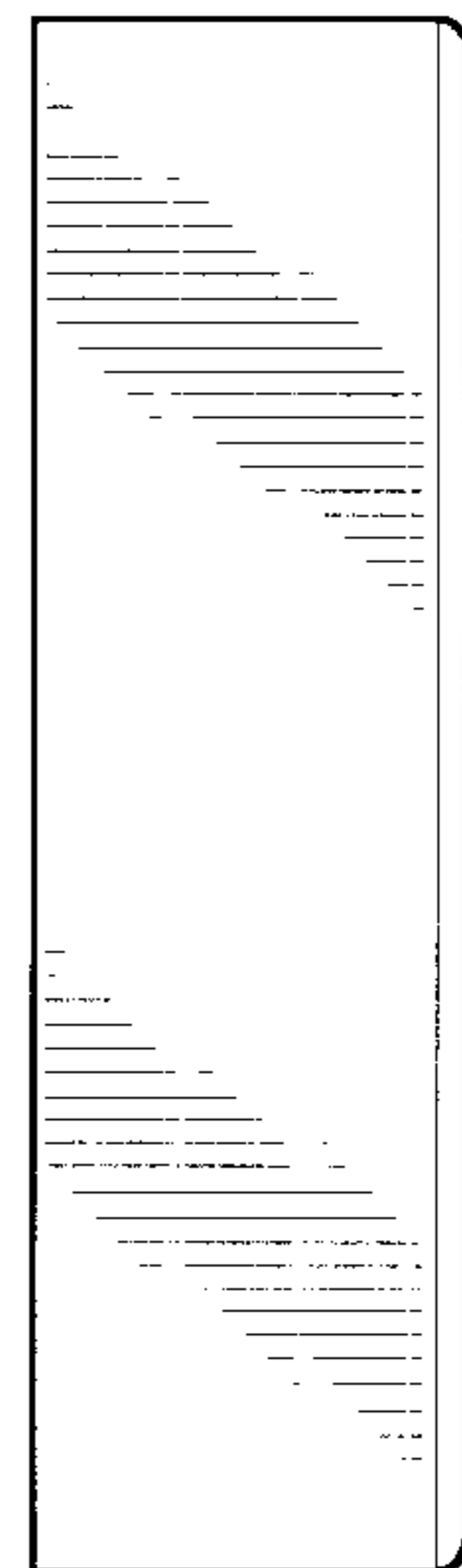


FIG-14

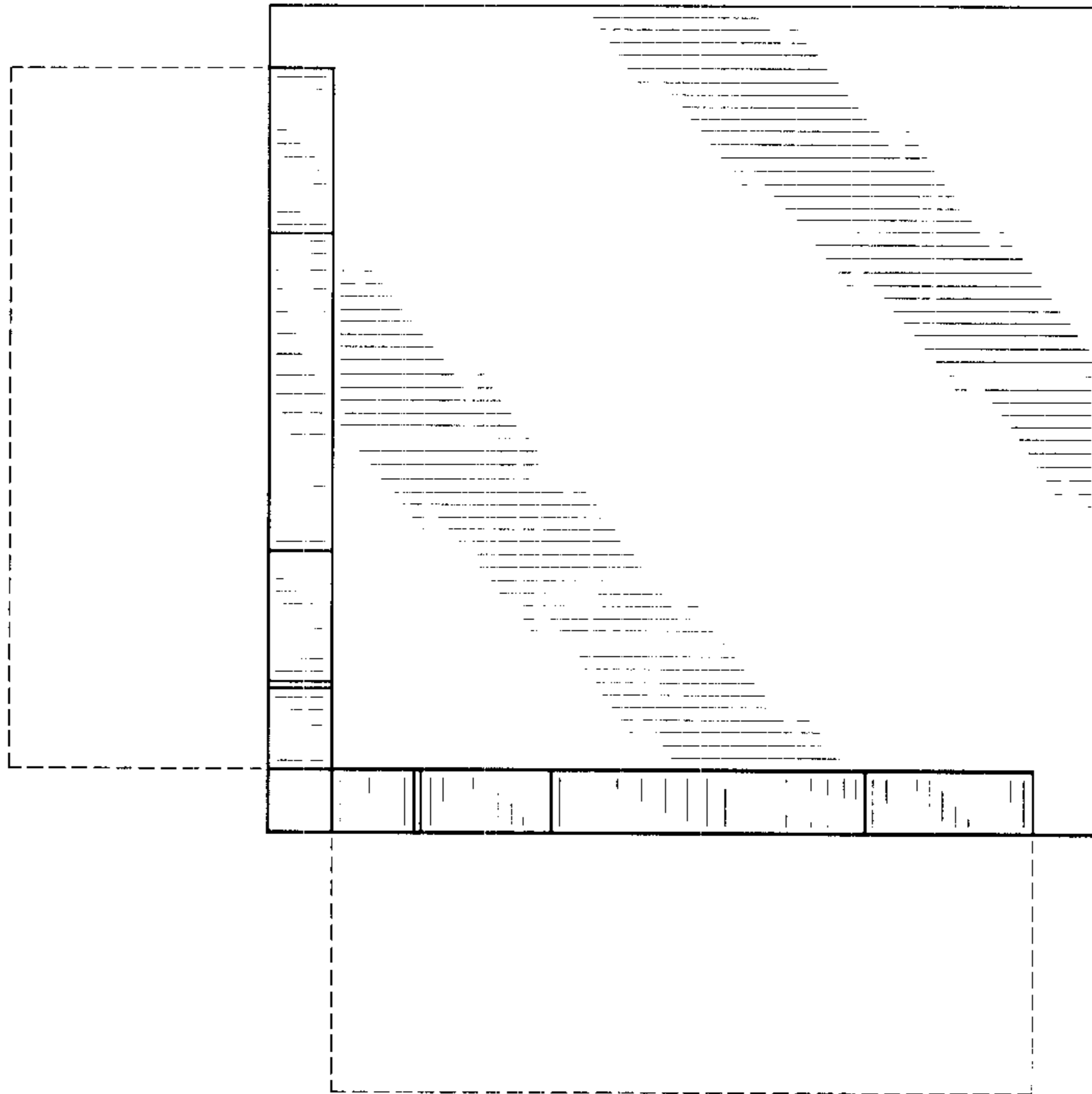


FIG-16

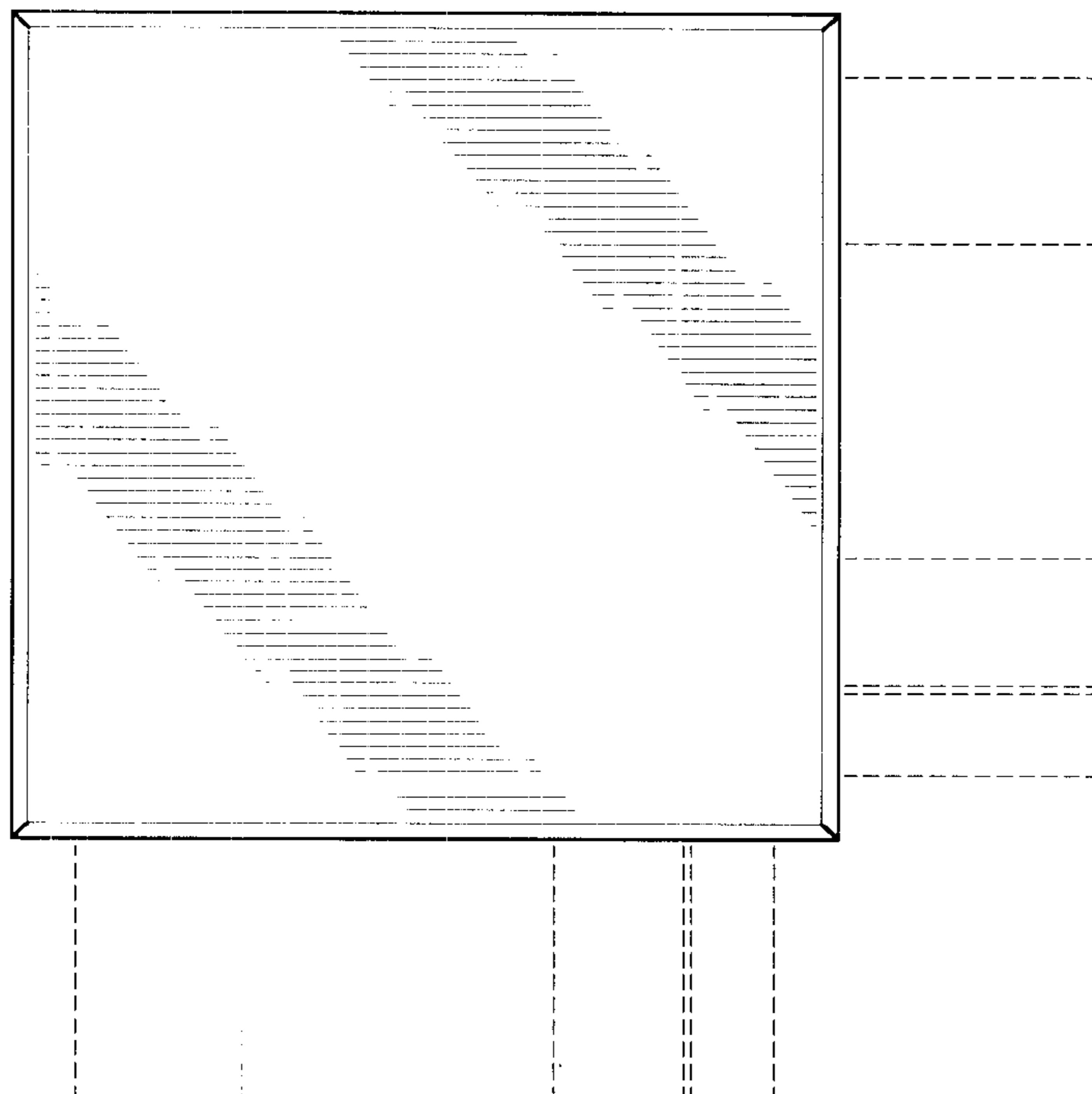


FIG-18

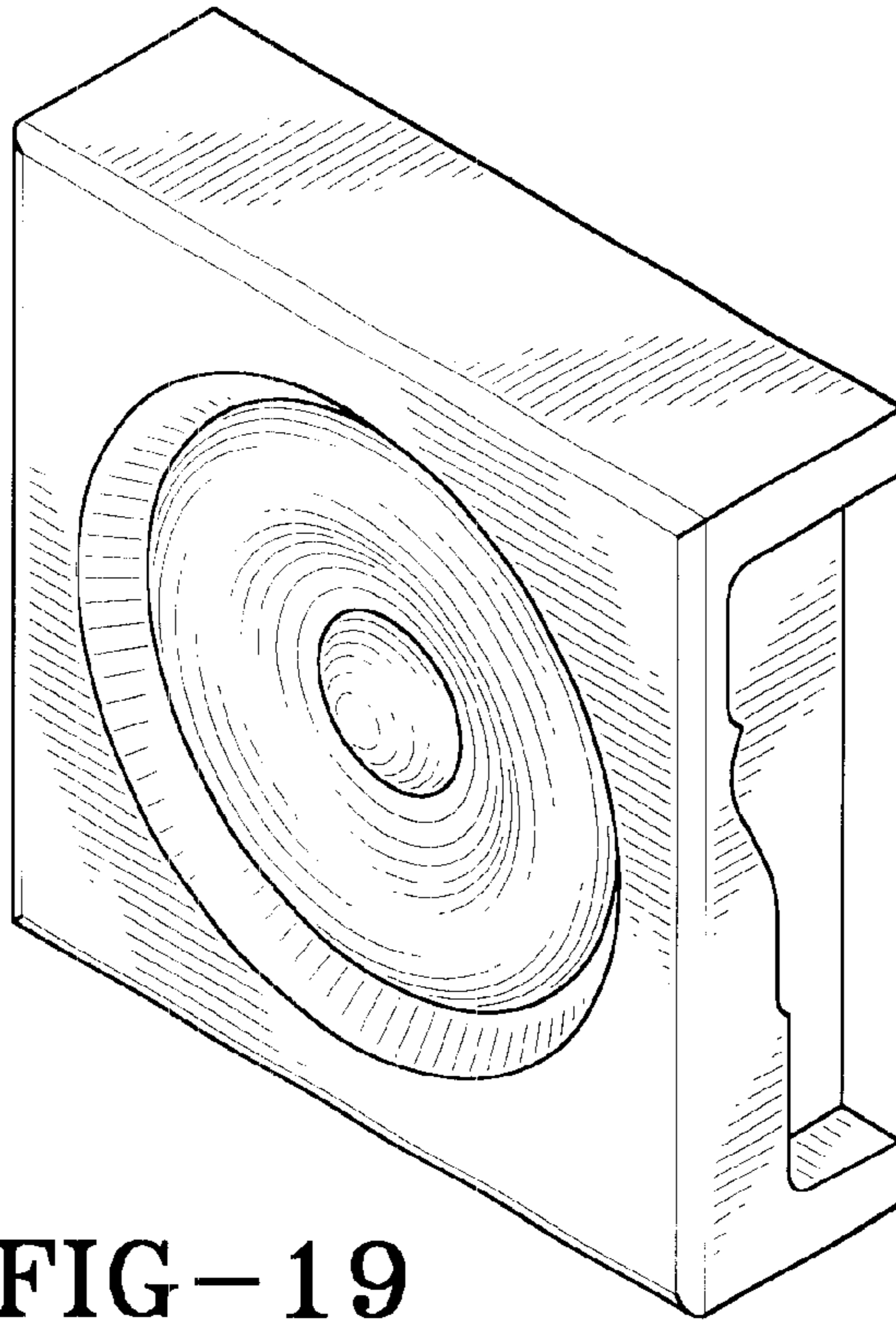


FIG-19

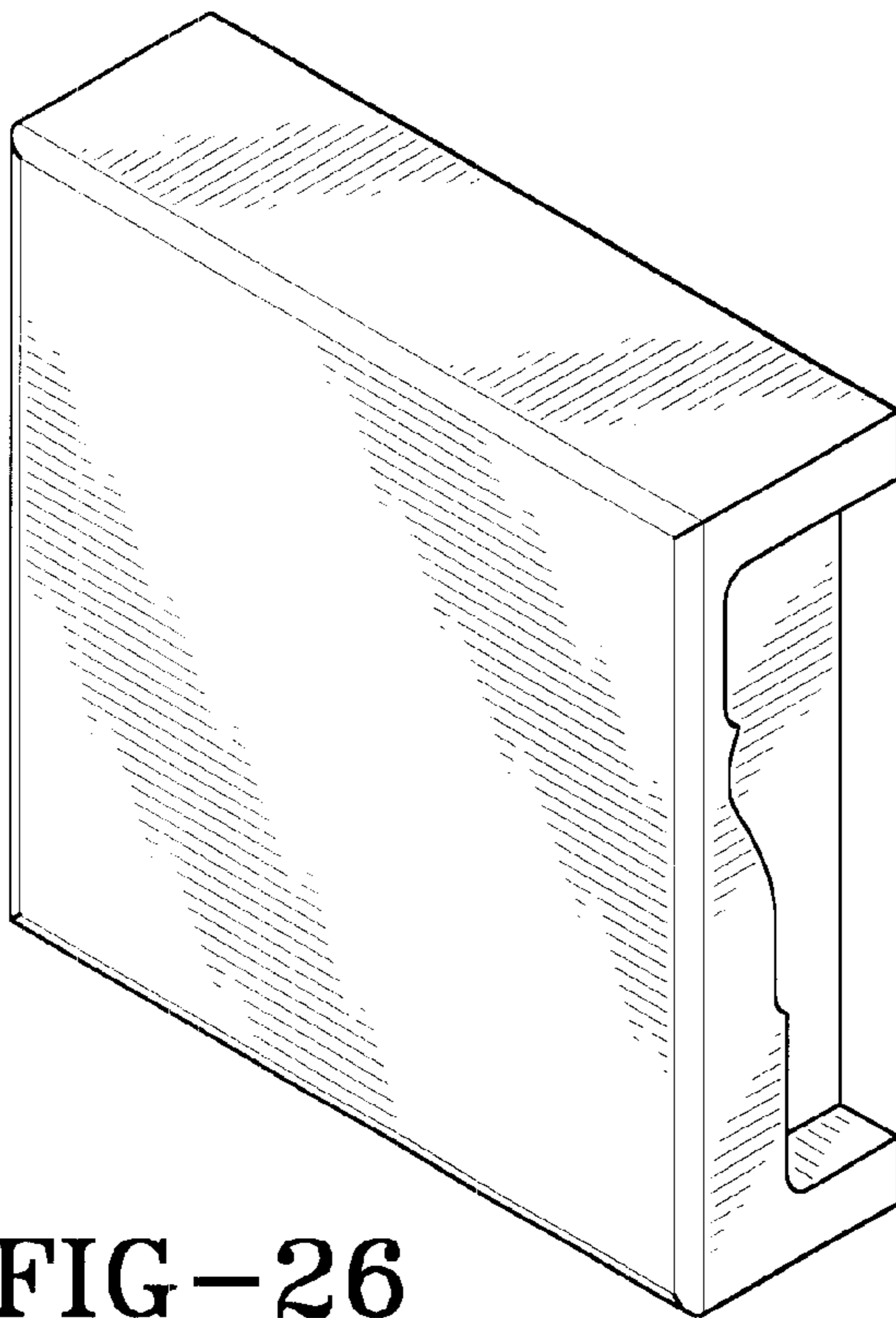


FIG-26

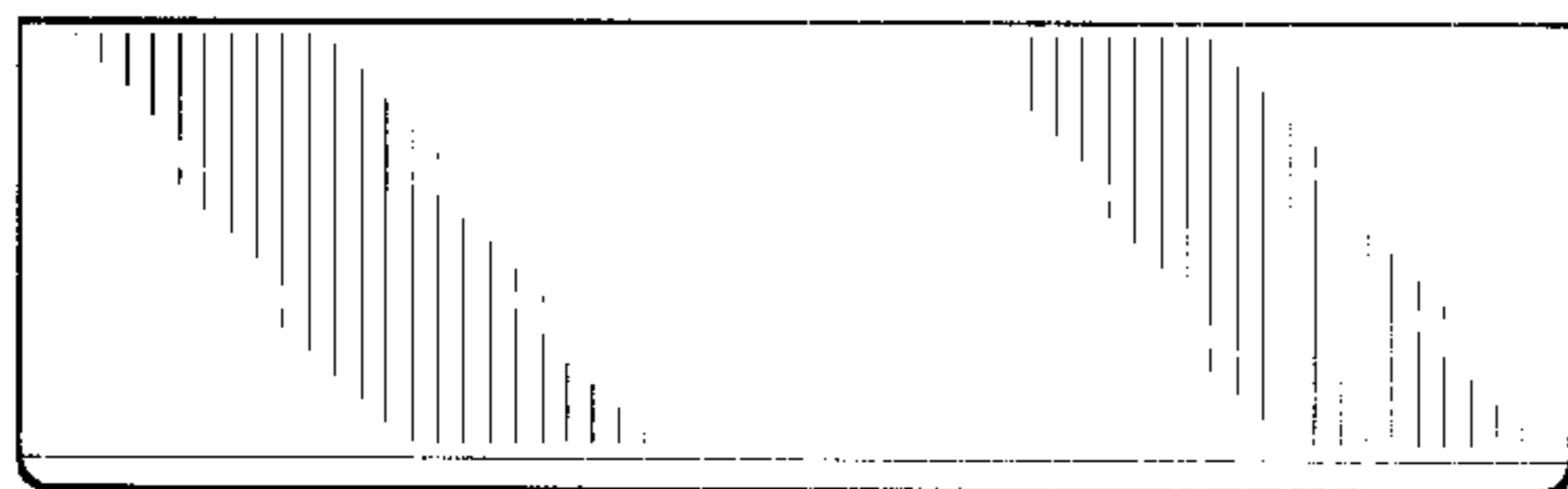


FIG-21

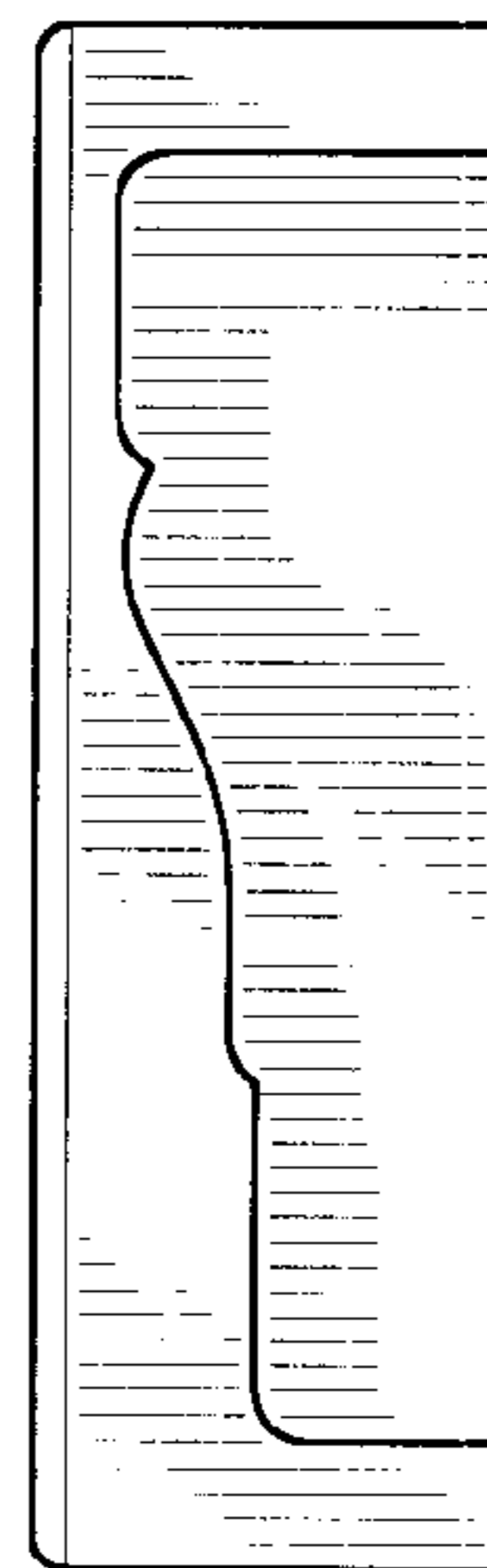


FIG-22

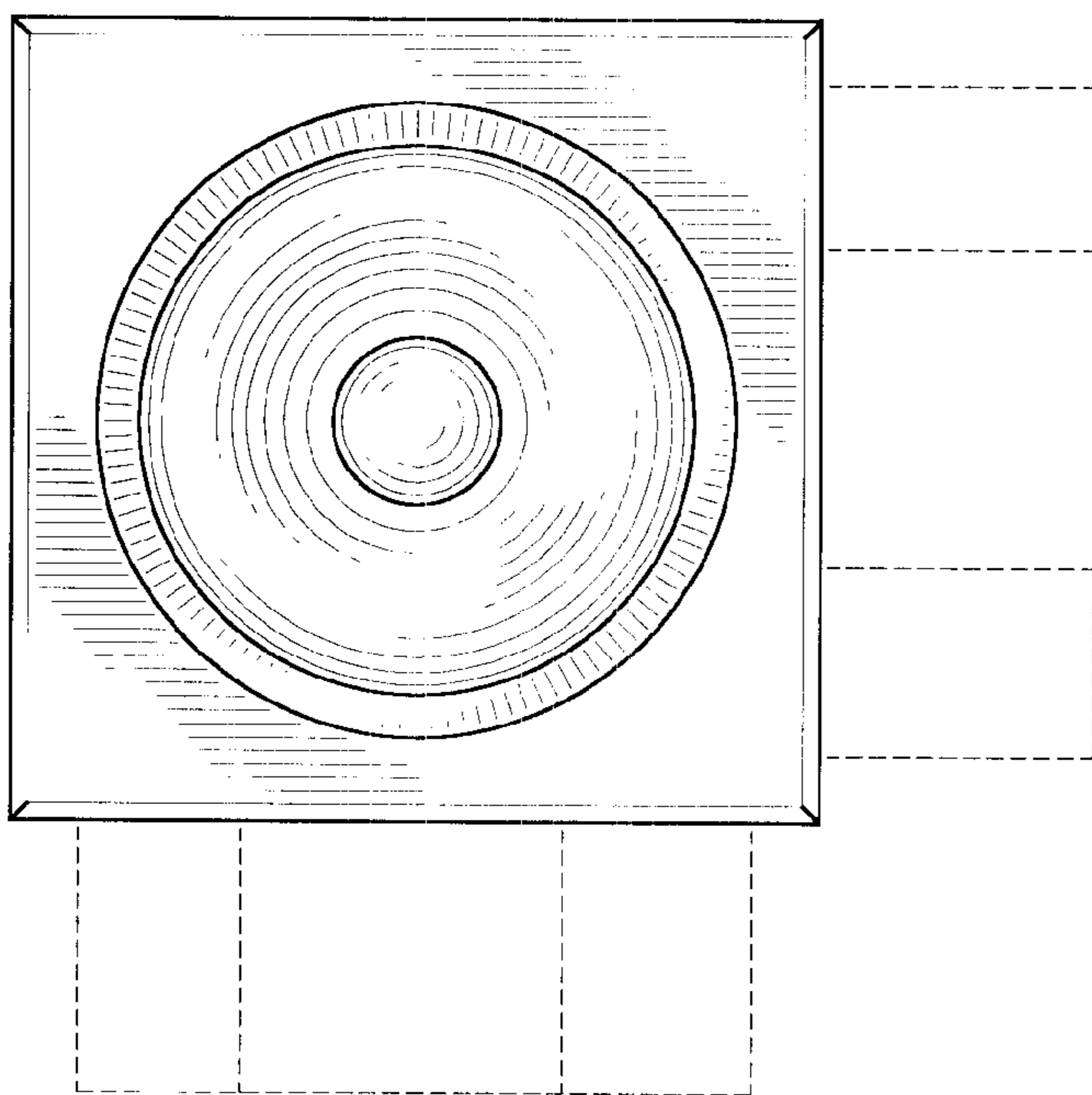


FIG-20

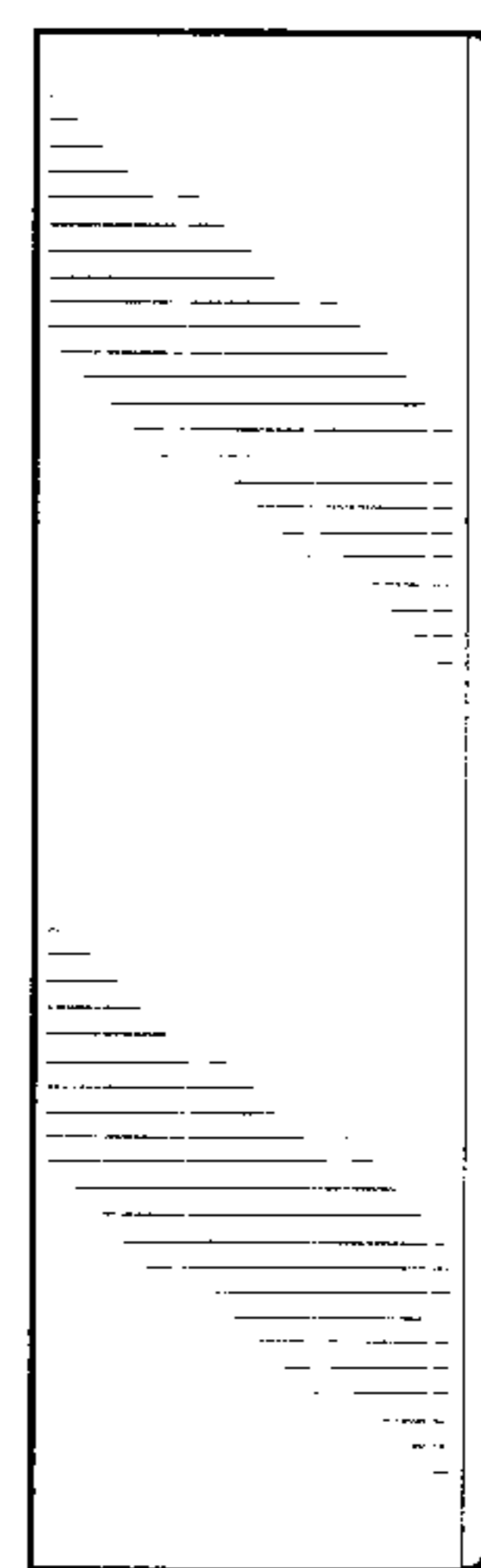


FIG-23

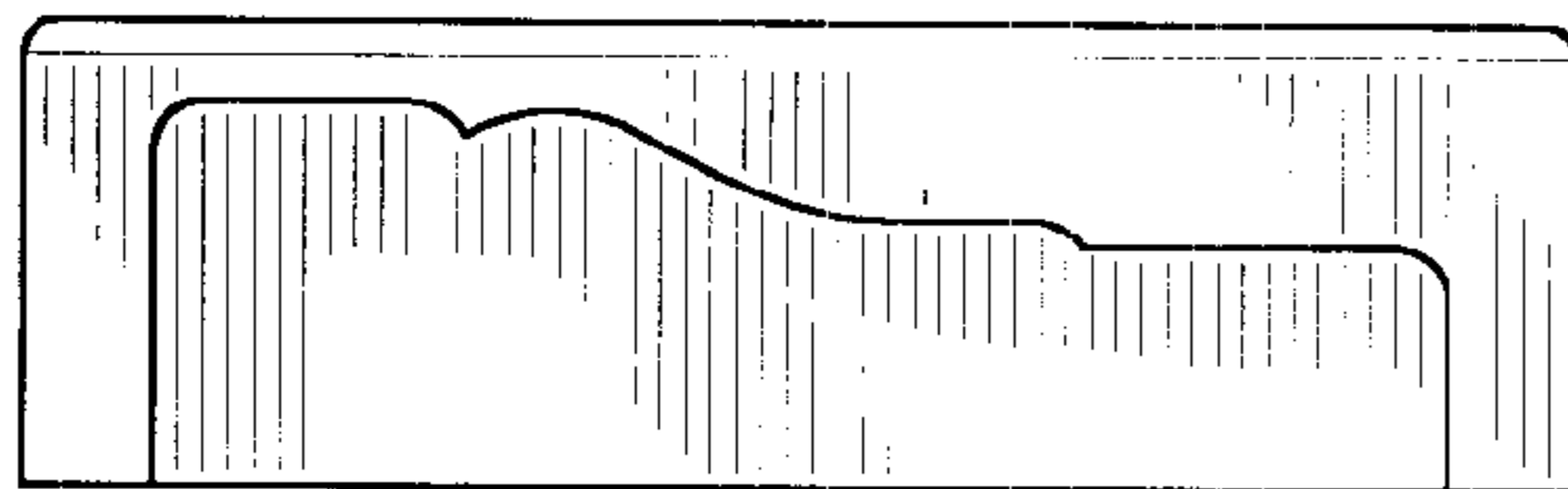


FIG-24

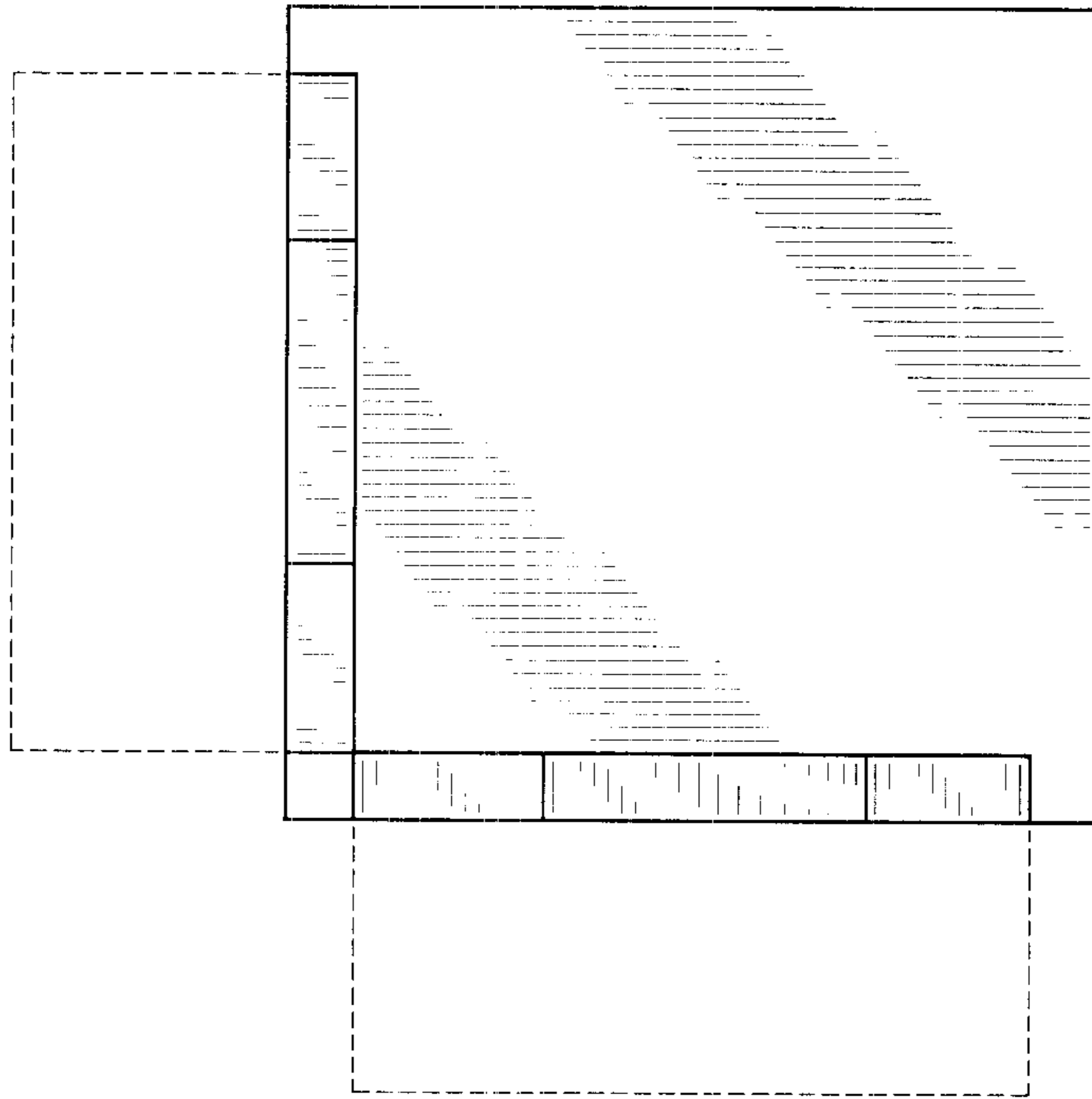


FIG-25

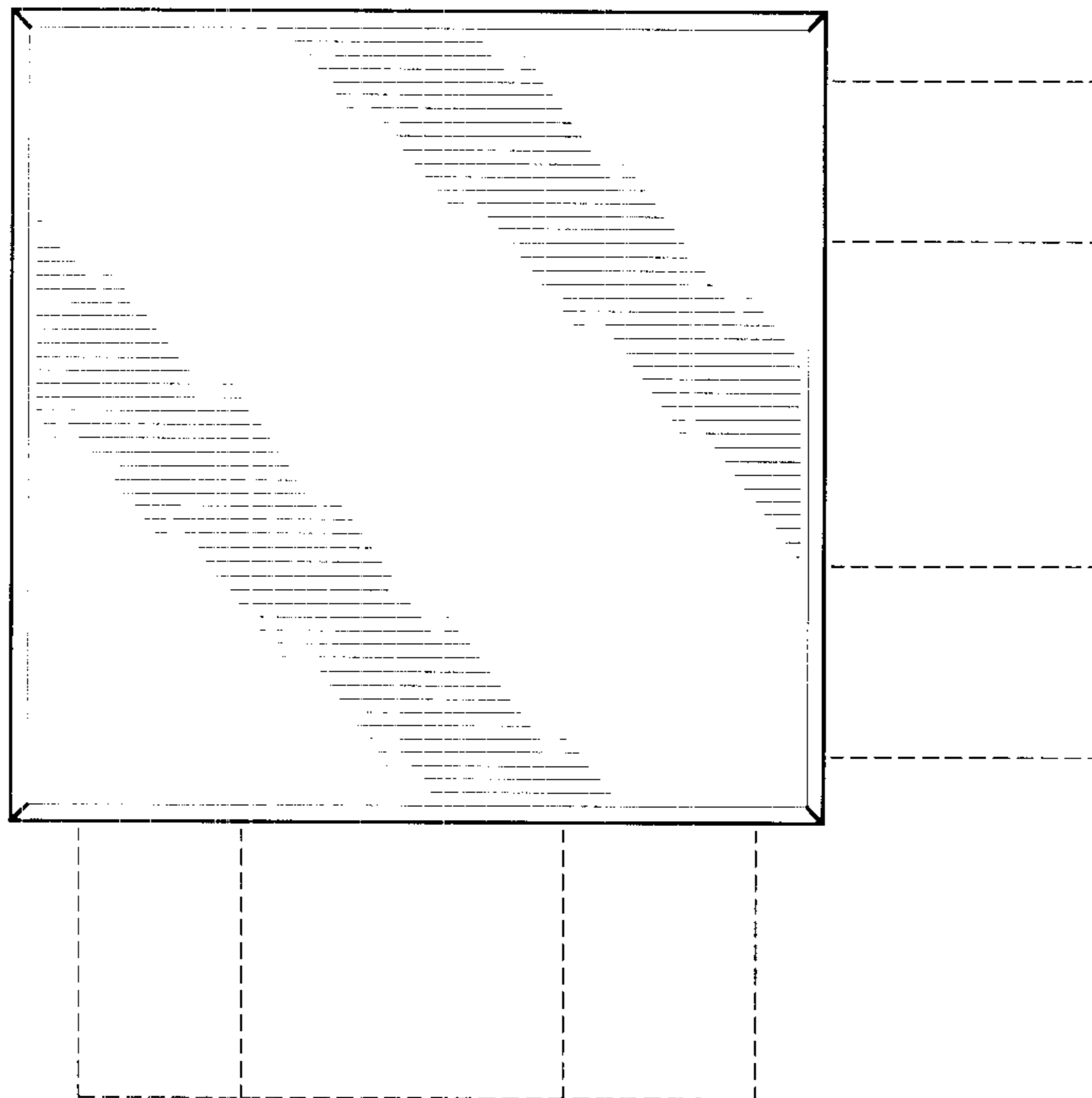


FIG-27

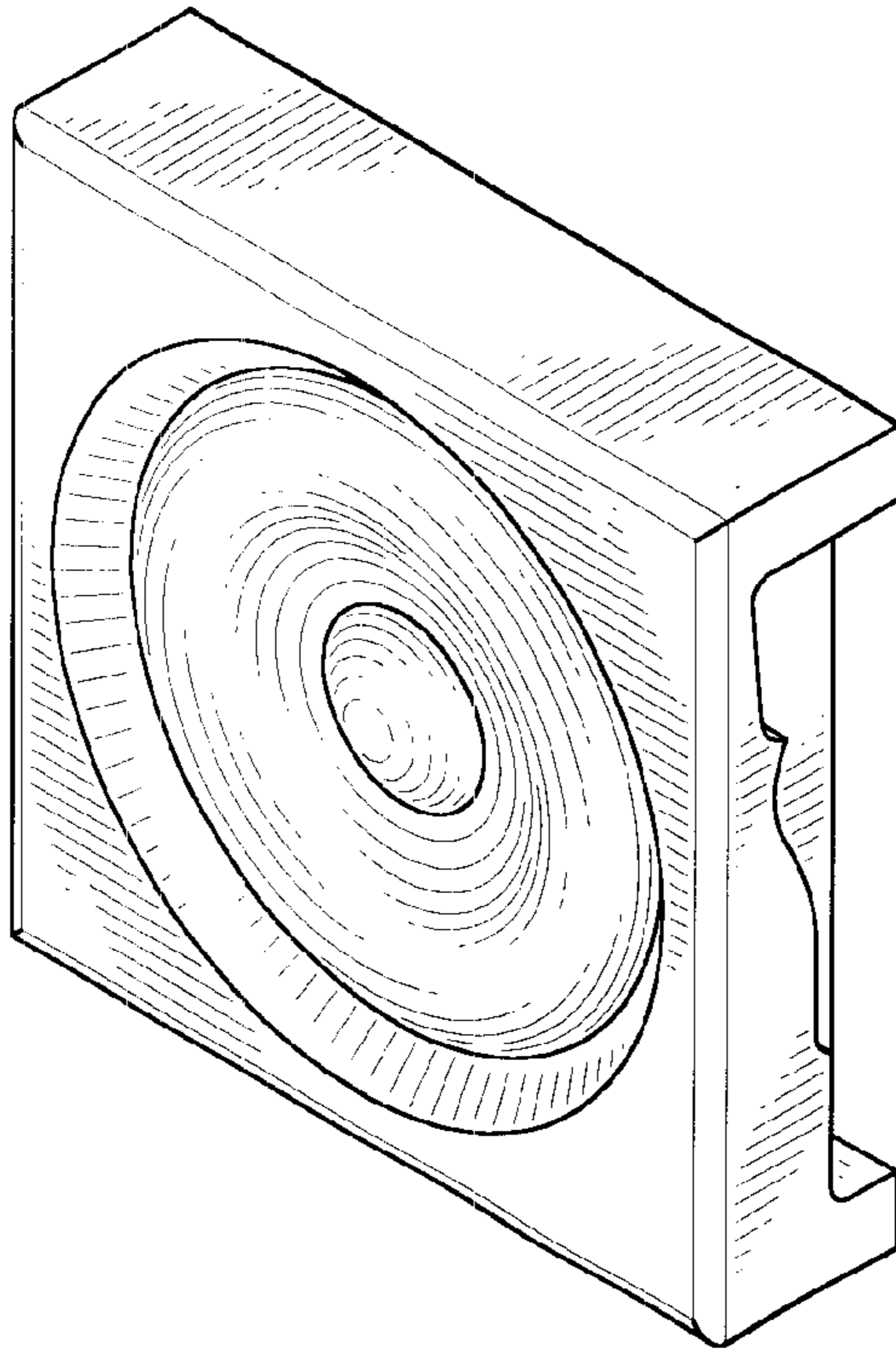


FIG-28

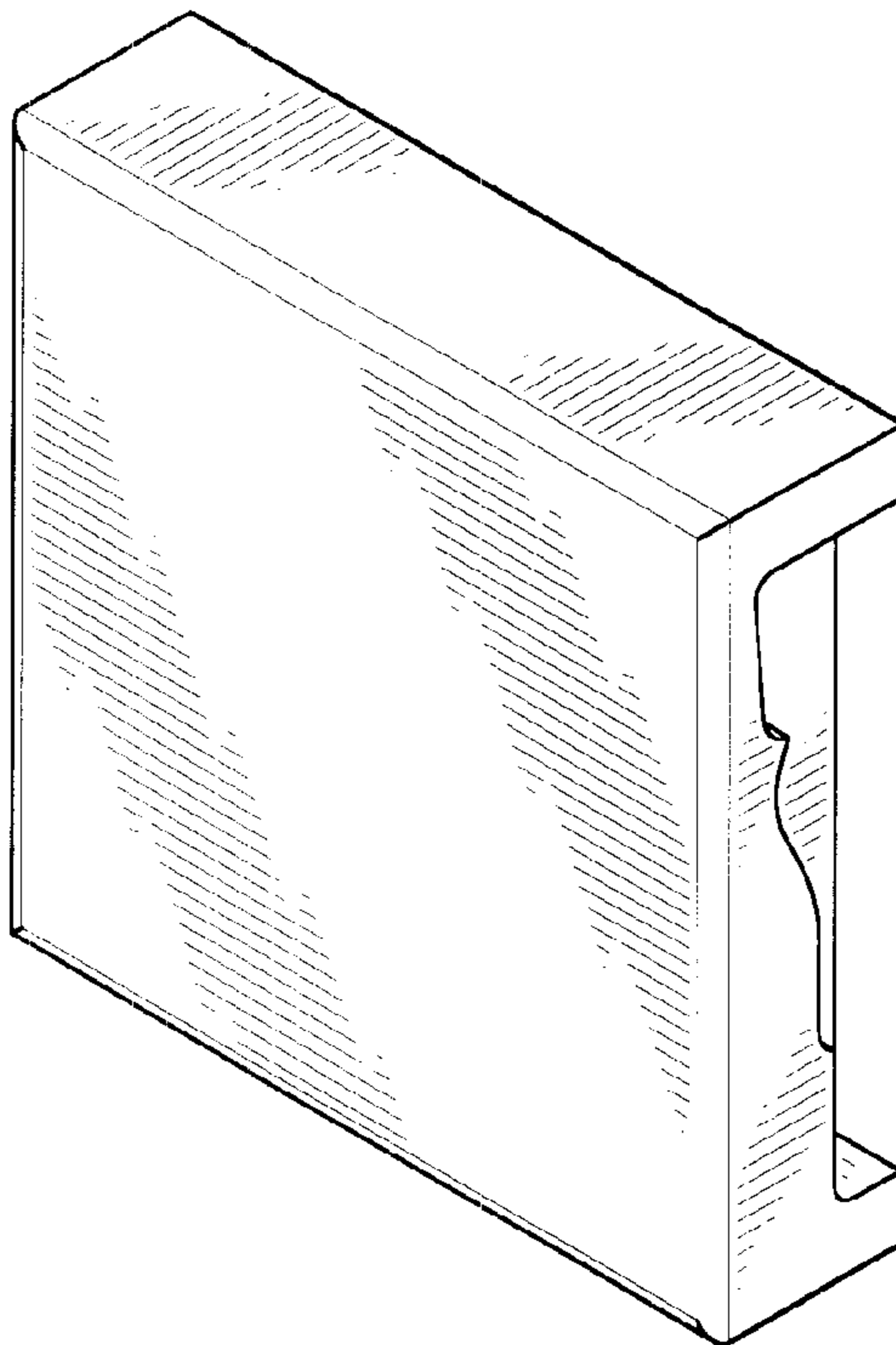


FIG-35



FIG-30

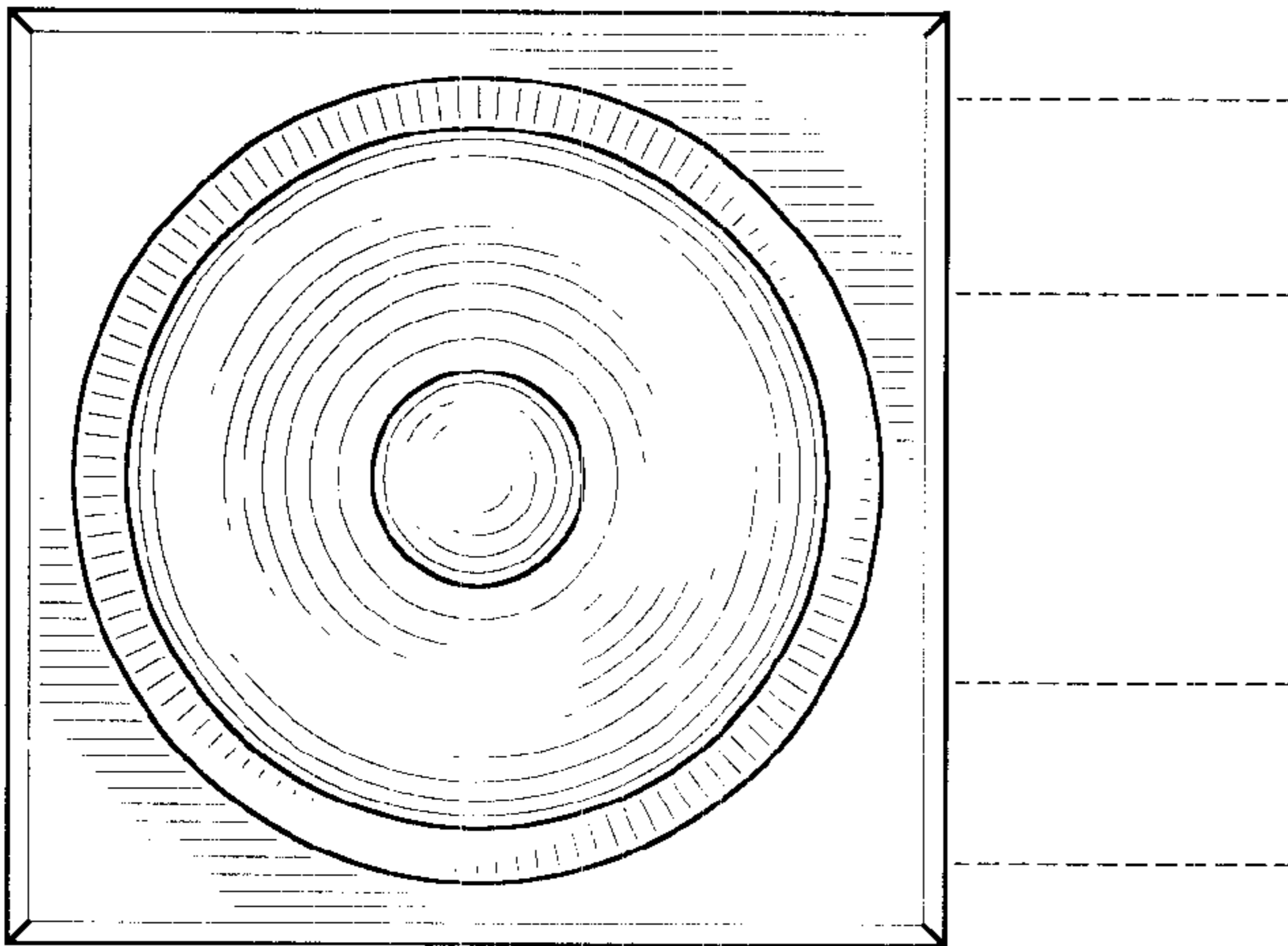


FIG-29

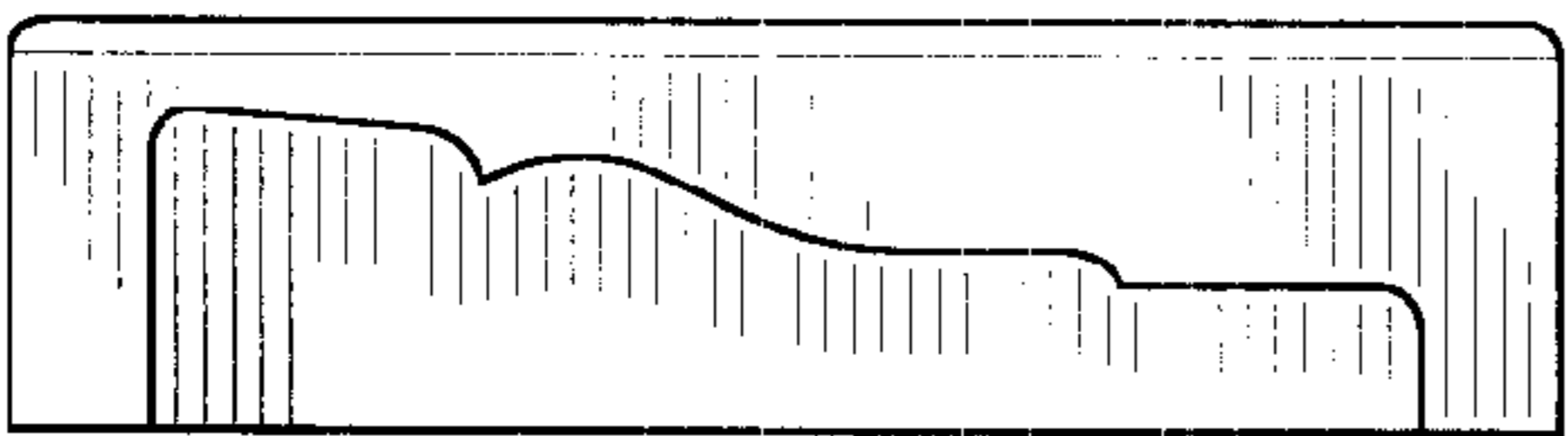


FIG-33

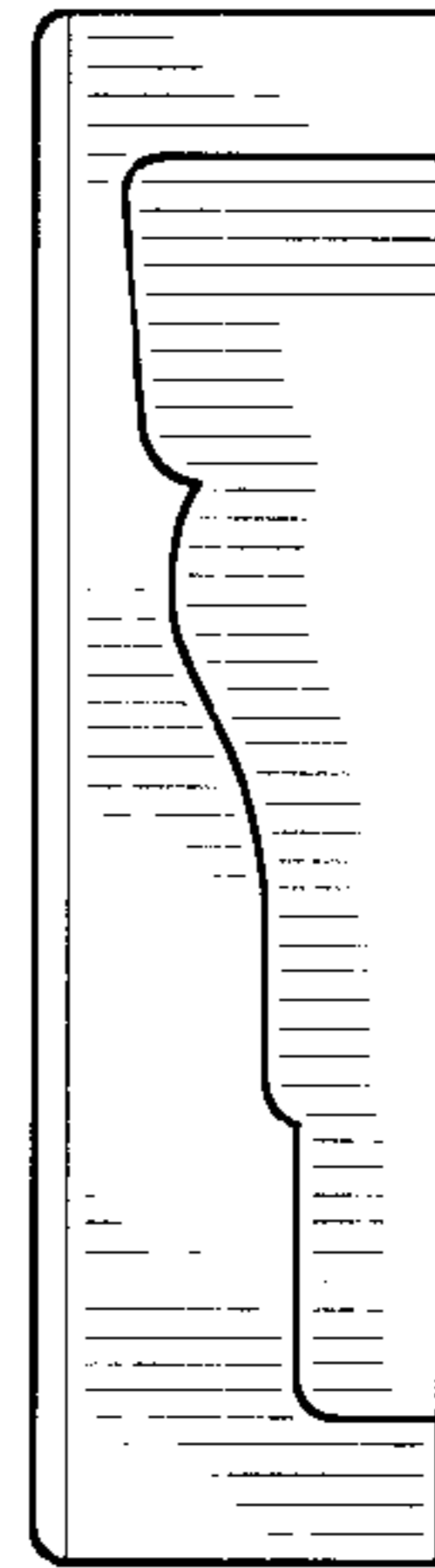


FIG-31

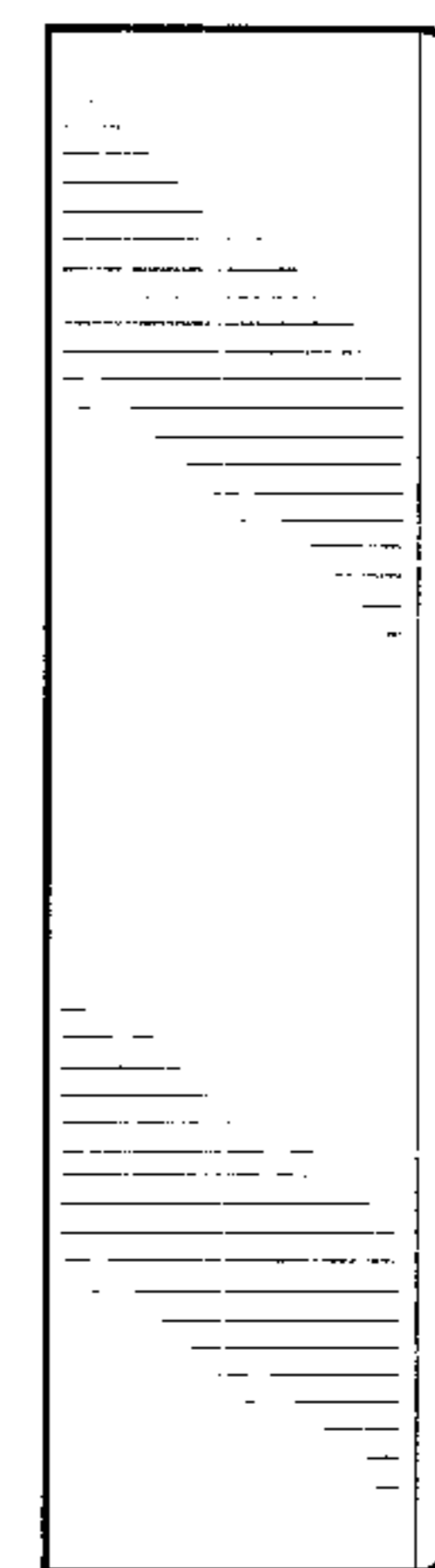


FIG-32

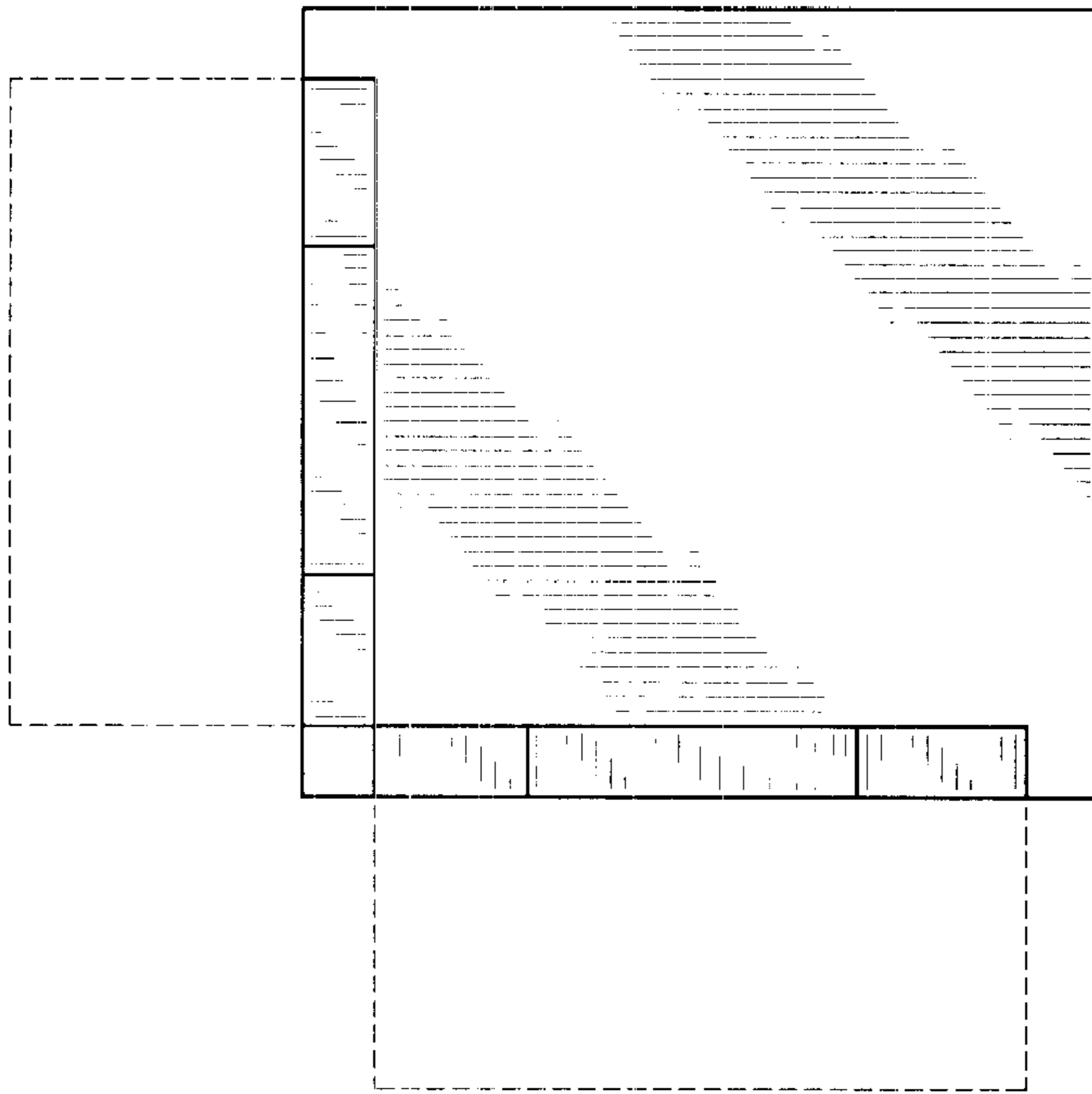


FIG-34

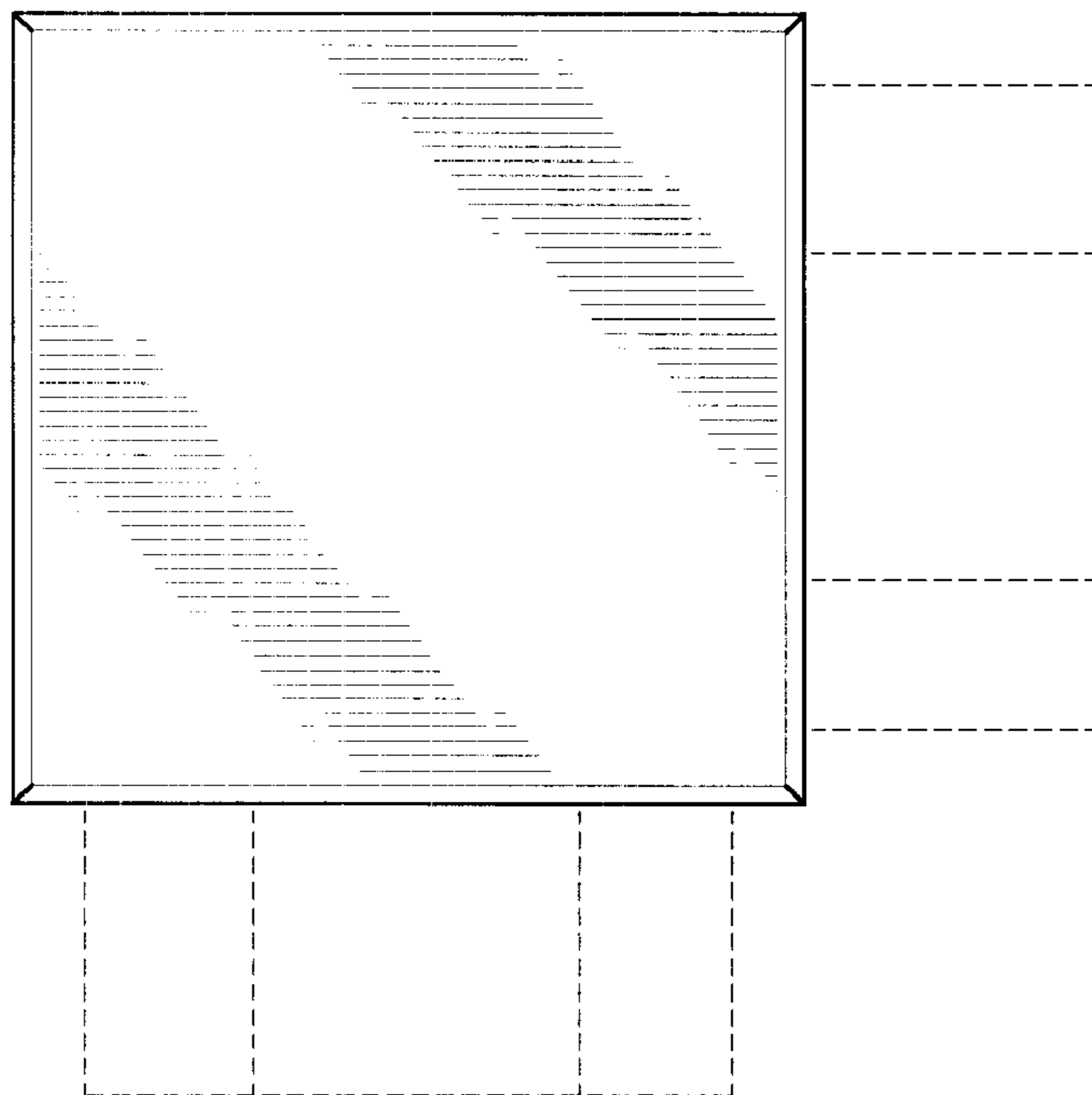


FIG-36