



US00D463571S

(12) **United States Design Patent**
Cohn

(10) **Patent No.:** **US D463,571 S**

(45) **Date of Patent:** **** Sep. 24, 2002**

- (54) **KIOSK**
- (75) Inventor: **Garry Cohn, Dallas, TX (US)**
- (73) Assignee: **Viad Corporation, Grapevine, TX (US)**
- (**) Term: **14 Years**
- (21) Appl. No.: **29/158,081**
- (22) Filed: **Mar. 29, 2002**
- (51) **LOC (7) Cl.** **25-03**
- (52) **U.S. Cl.** **D25/16**
- (58) **Field of Search** **D25/16; D6/437;**
52/36.1, 36.2

D379,664 S	6/1997	Horton	D25/16
D379,665 S	6/1997	Horton	D25/16
D379,666 S	6/1997	Horton	D25/16
D379,667 S	6/1997	Horton	D25/16
D383,854 S	9/1997	Ruscitto	D25/16
5,692,342 A	12/1997	Devlin, Jr.	52/36
D396,113 S	7/1998	Horton	D25/16
D396,114 S	7/1998	Horton	D25/16
D403,179 S	12/1998	Horton	D6/474
D405,629 S	2/1999	Horton	D6/474
D406,354 S	3/1999	Horton	D25/16
D406,903 S	3/1999	Horton	D25/16
D407,921 S	4/1999	Horton	D6/474
D413,392 S	8/1999	Horton	D25/16
D423,113 S	4/2000	Horton	D25/16
D423,682 S	4/2000	Horton	D25/31
D424,700 S	5/2000	Horton	D25/18
D424,701 S	5/2000	Horton	D25/18
D435,113 S	12/2000	Horton	D25/16
D438,984 S	3/2001	Cohn	D25/16
D440,319 S	4/2001	Horton	D25/16
D443,069 S	5/2001	Horton	D25/16
D445,910 S	7/2001	Cohn	D25/16
D445,911 S	7/2001	Cohn	D25/16
D445,912 S	7/2001	Cohn	D25/16
D445,913 S	7/2001	Horton	D25/16
D446,314 S	8/2001	Horton	D25/16

(56) **References Cited**

U.S. PATENT DOCUMENTS

589,971 A	9/1897	Kephart	
D54,883 S	4/1920	Willett	
D85,555 S	11/1931	Stebbins	
D148,842 S	3/1948	Cushman D30/11
D149,381 S	4/1948	Schick D80/9
D152,219 S	12/1948	Schick D80/9
D152,371 S	1/1949	Schick D80/11
2,836,860 A	6/1958	Staropoli 20/1.6
D200,225 S	2/1965	Benjamin D80/11
D219,579 S	12/1970	Wormser D25/4
3,715,815 A	2/1973	Lewis 35/60
D254,327 S	2/1980	Tasse D25/26
D256,530 S	8/1980	Johnson D6/144
D260,708 S	9/1981	Schindler D6/144
D265,617 S	8/1982	Sauroge, III et al. D6/144
D279,408 S	6/1985	Davenport D25/25
4,572,598 A	2/1986	Moore 312/284
D288,040 S	2/1987	LeBlanc D6/473
D288,609 S	3/1987	Watkins D25/11
D302,221 S	7/1989	Suttles et al. D6/481
D313,077 S	12/1990	Minarro D25/16
5,048,857 A	9/1991	Stevens 280/651
D326,024 S	5/1992	Boyd et al. D6/480
D341,458 S	11/1993	Carroll D34/20
D346,867 S	5/1994	Montilla D25/16
D348,367 S	7/1994	Geisen et al. D6/481
D350,829 S	9/1994	Horton D25/16
5,375,899 A	12/1994	Wright 296/21
D354,816 S	1/1995	Horton D25/16
D367,777 S	3/1996	Arnone D6/436
D368,606 S	4/1996	Sargent, III D6/481
5,551,774 A	9/1996	Campbell et al. 312/284

Primary Examiner—Doris Clark

(74) *Attorney, Agent, or Firm*—Locke Liddell & Sapp LLP

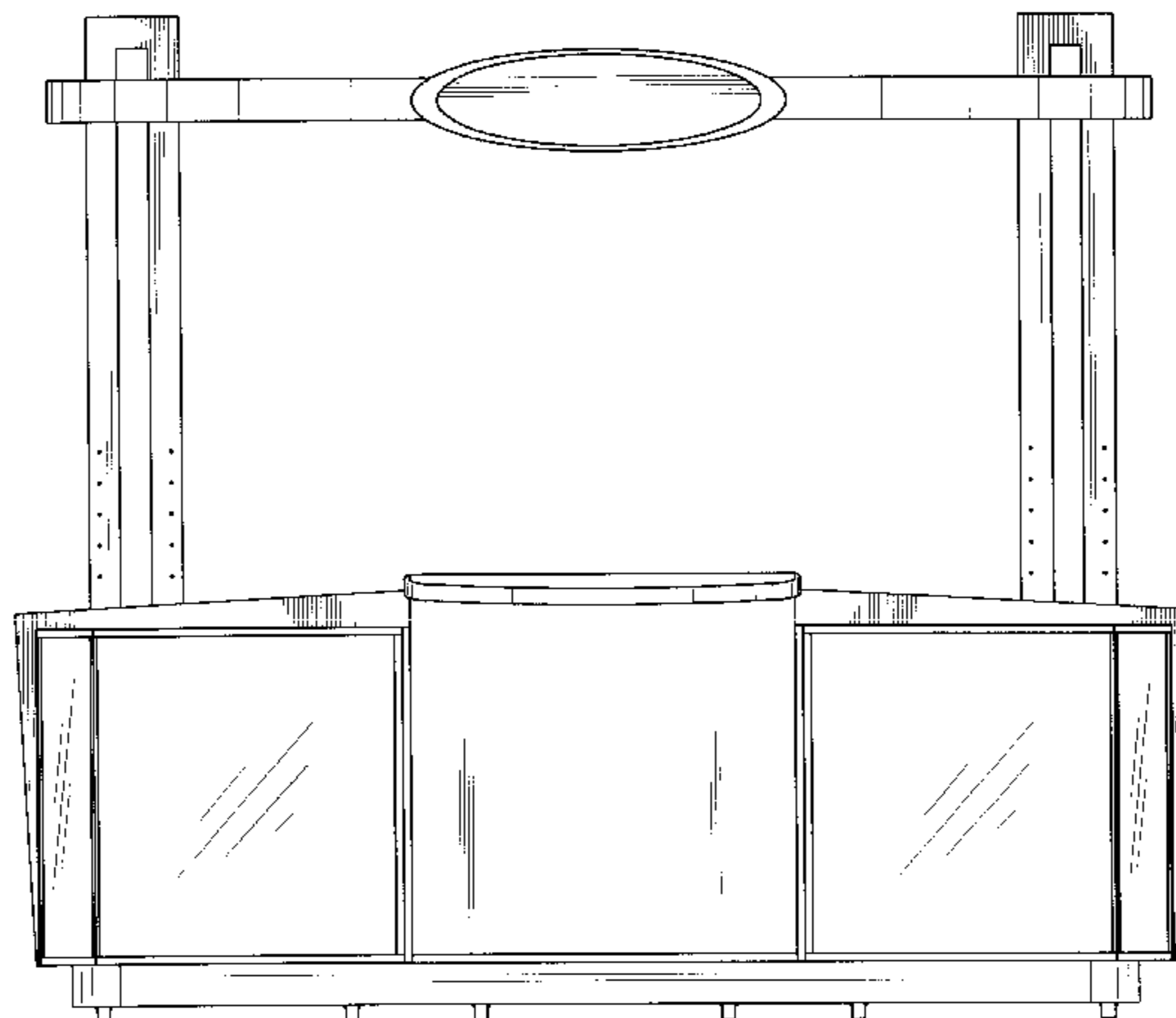
(57) **CLAIM**

The ornamental design for “kiosk”, as shown and described.

DESCRIPTION

- FIG. 1 is a front elevational view of a kiosk showing my new design;
- FIG. 2 is a right side elevational view thereof, the left side elevational view being identical thereto;
- FIG. 3 is a rear elevational view thereof;
- FIG. 4 is a top plan view thereof;
- FIG. 5 is a bottom plan view thereof; and,
- FIG. 6 is a sectional view thereof taken generally along sectional lines 6—6 of FIG. 2.

1 Claim, 6 Drawing Sheets



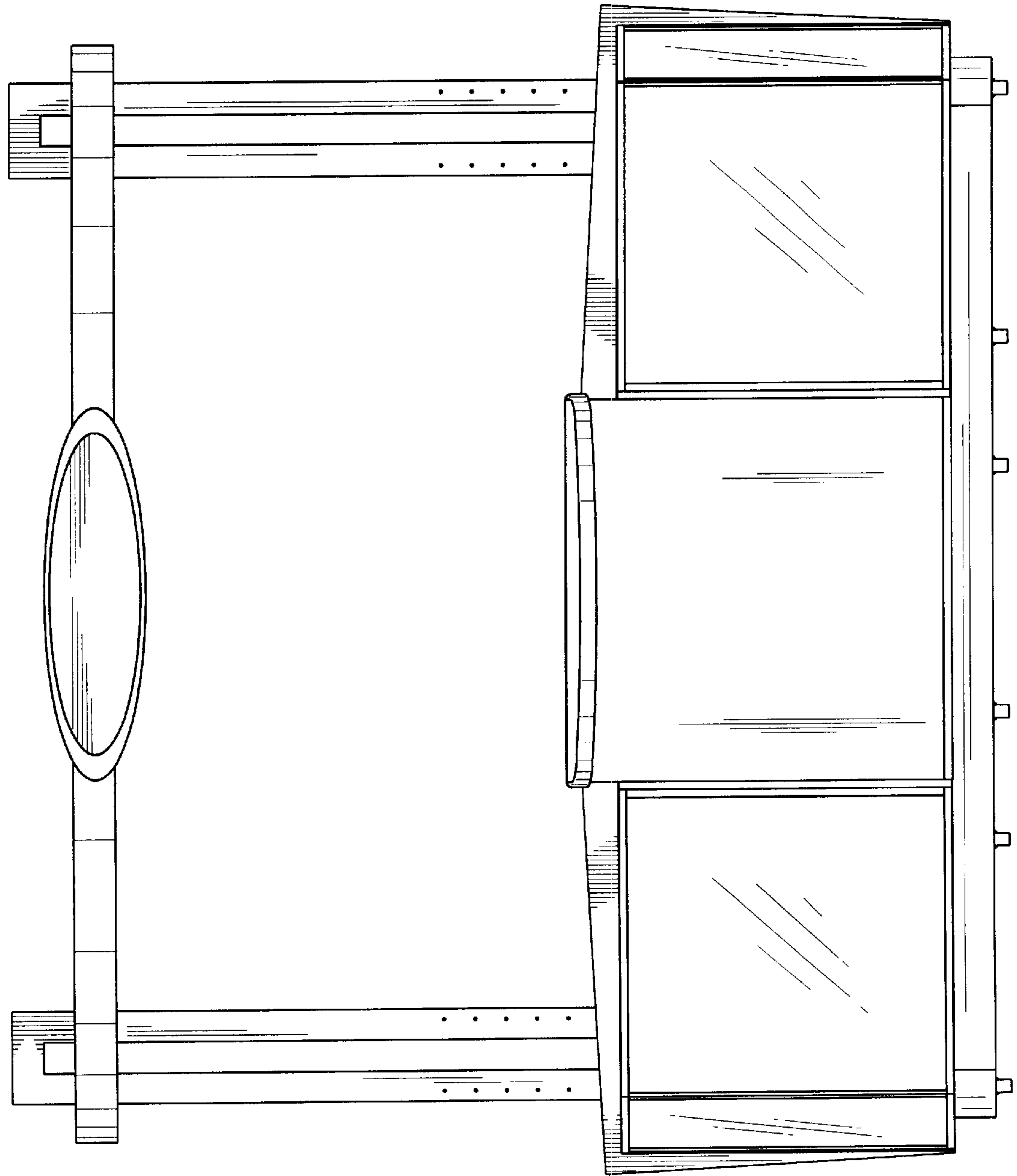


FIG. 1

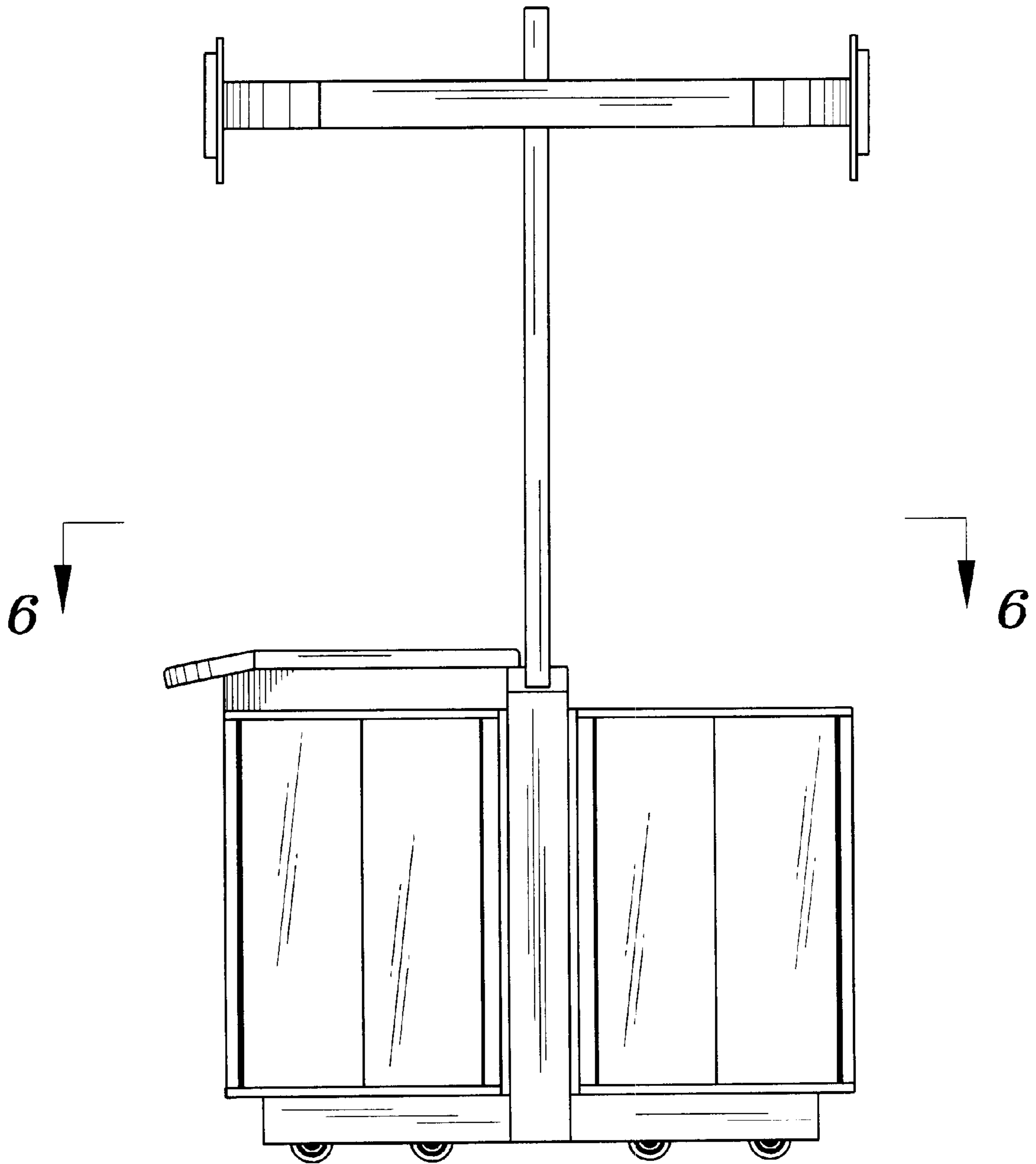


FIG. 2

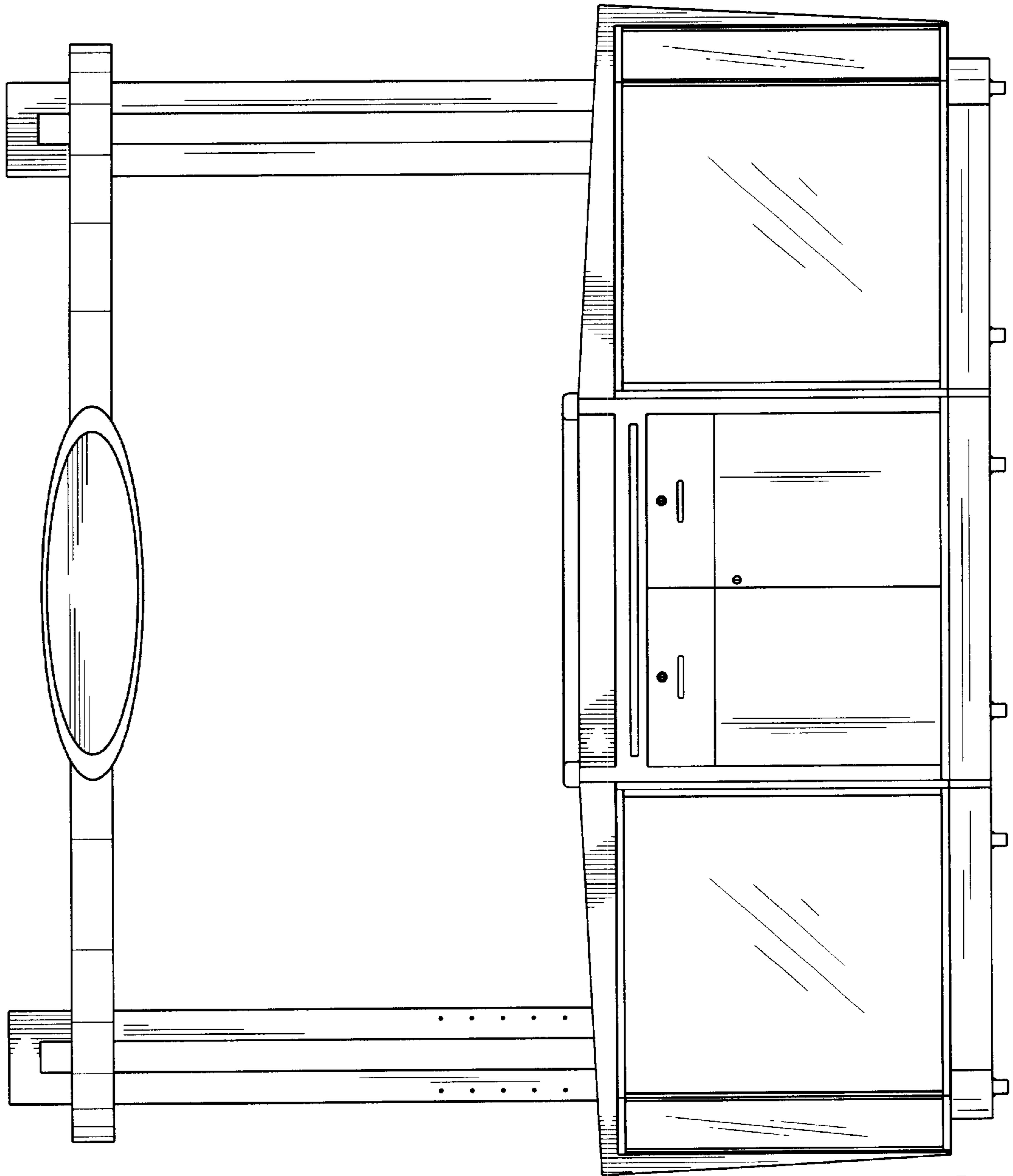


FIG. 3

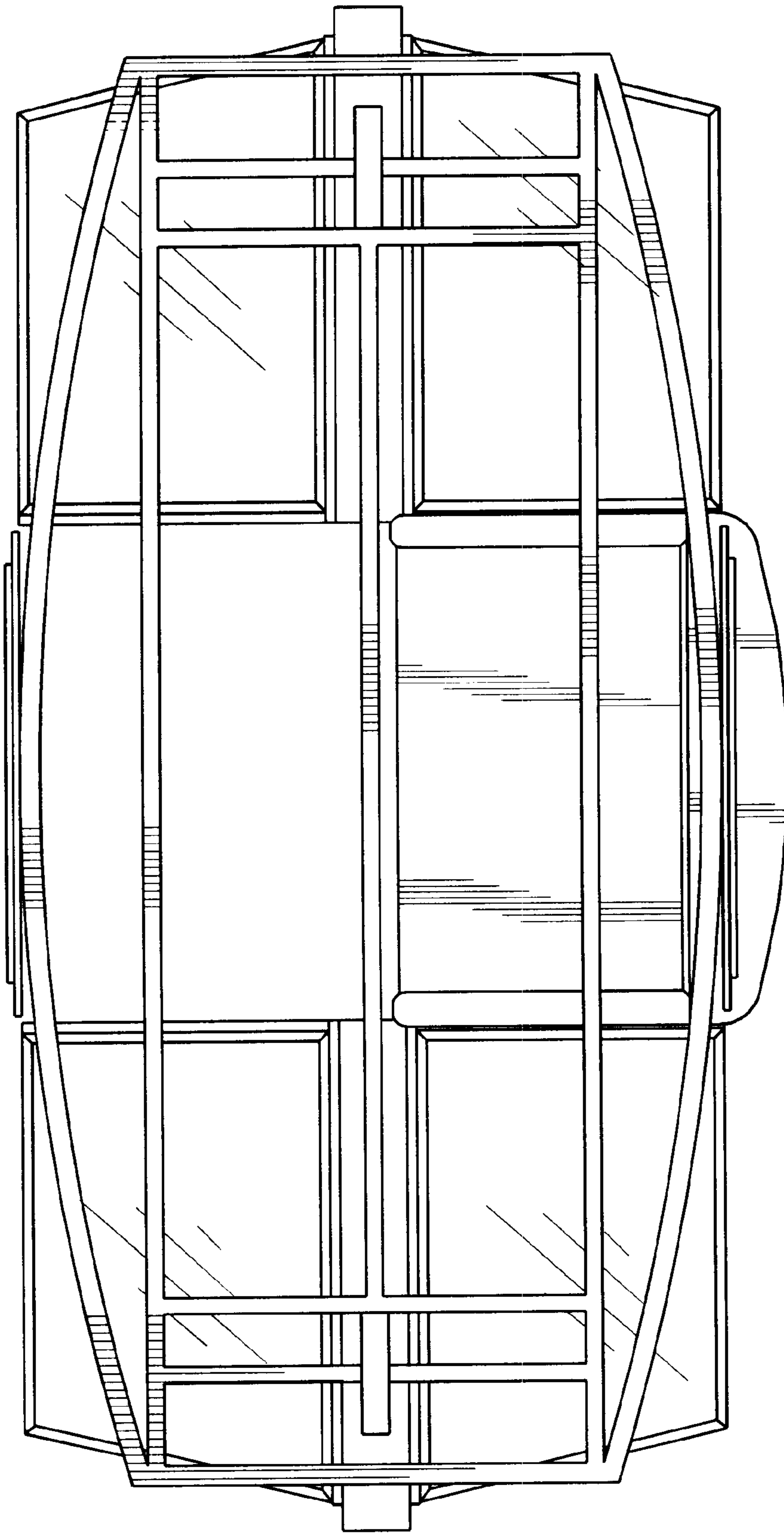


FIG. 4

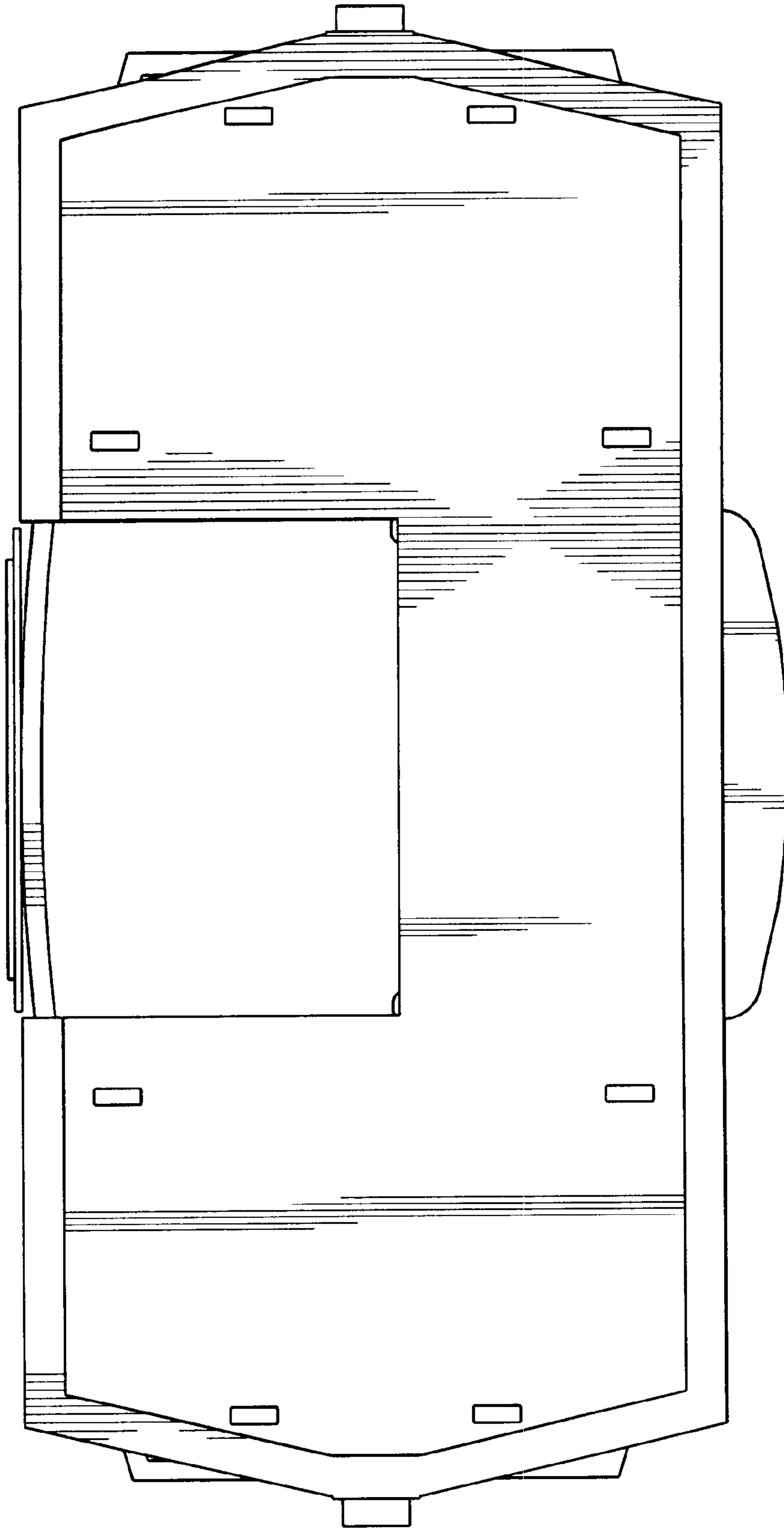


FIG. 5

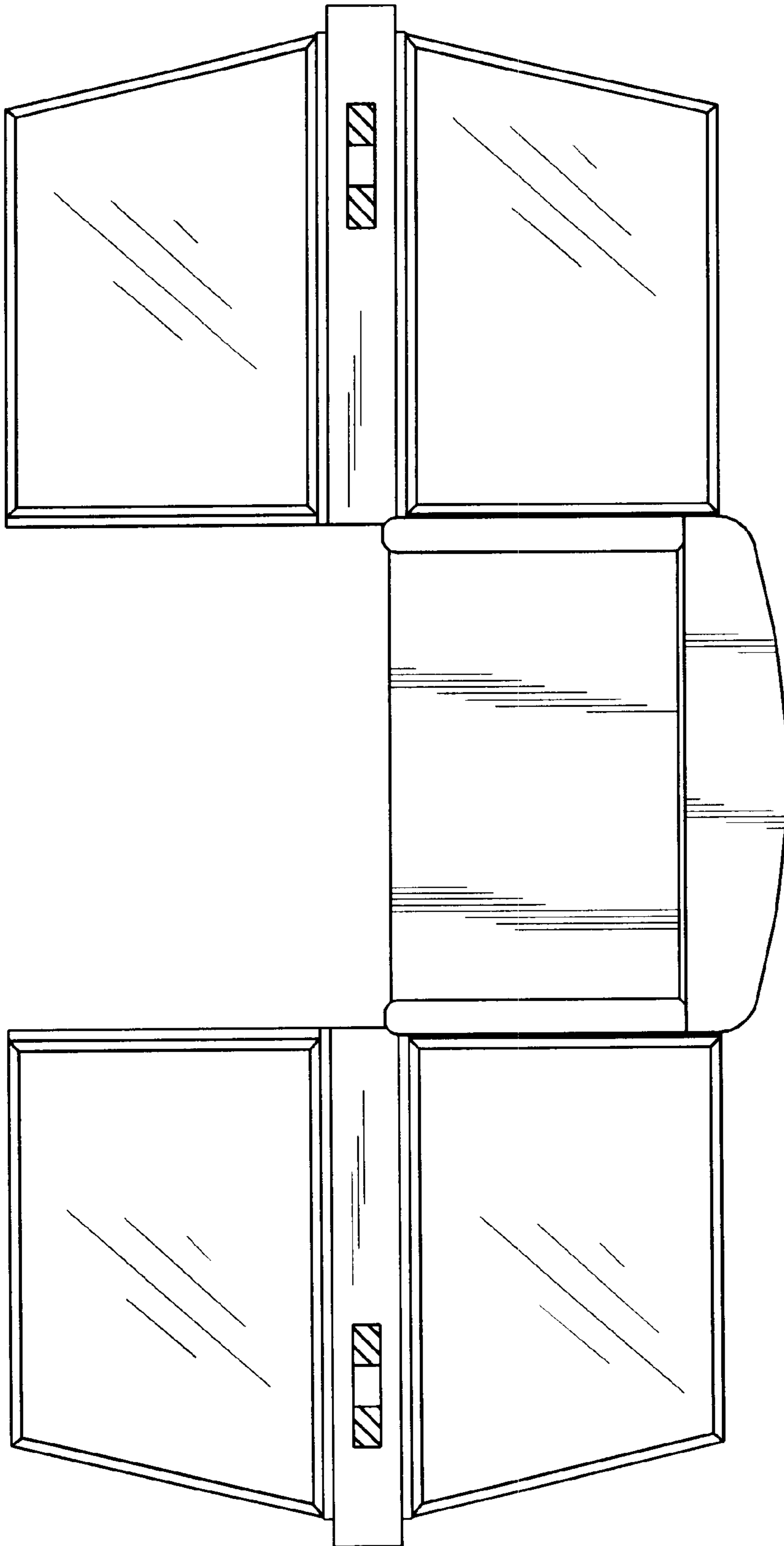


FIG. 6