



US00D463564S

(12) **United States Design Patent**  
**Siegwart et al.**

(10) **Patent No.: US D463,564 S**

(45) **Date of Patent: \*\* Sep. 24, 2002**

(54) **ADHESIVE BANDAGE**

(75) Inventors: **Kathleen Siegwart**, Milford, NJ (US);  
**Jennifer Mueller**, Hillsborough, NJ  
(US); **Vincent Petersack**, Eastampton,  
NJ (US); **Philip DeSalvo**, West  
Windsor, NJ (US); **John Damiani**,  
Hillsborough, NJ (US)

(73) Assignee: **Johnson & Johnson Consumer  
Companies, Inc.**, Skillman, NJ (US)

(\*\*) Term: **14 Years**

(21) Appl. No.: **29/148,355**

(22) Filed: **Sep. 18, 2001**

(51) **LOC (7) Cl.** ..... **24-04**

(52) **U.S. Cl.** ..... **D24/189**

(58) **Field of Search** ..... D24/189; 602/58,  
602/41-56

(56) **References Cited**

**U.S. PATENT DOCUMENTS**

2,969,144 A \* 1/1961 Zackheim ..... 602/57 X  
5,480,717 A \* 1/1996 Kundel ..... 602/56

D409,754 S \* 5/1999 Dunshee et al. .... D24/189  
D410,087 S \* 5/1999 Dunshee et al. .... D24/189  
6,284,941 B1 \* 9/2001 Cox et al. .... 602/48

\* cited by examiner

*Primary Examiner*—Stella Reid

(74) *Attorney, Agent, or Firm*—Lawrence D. Schuler

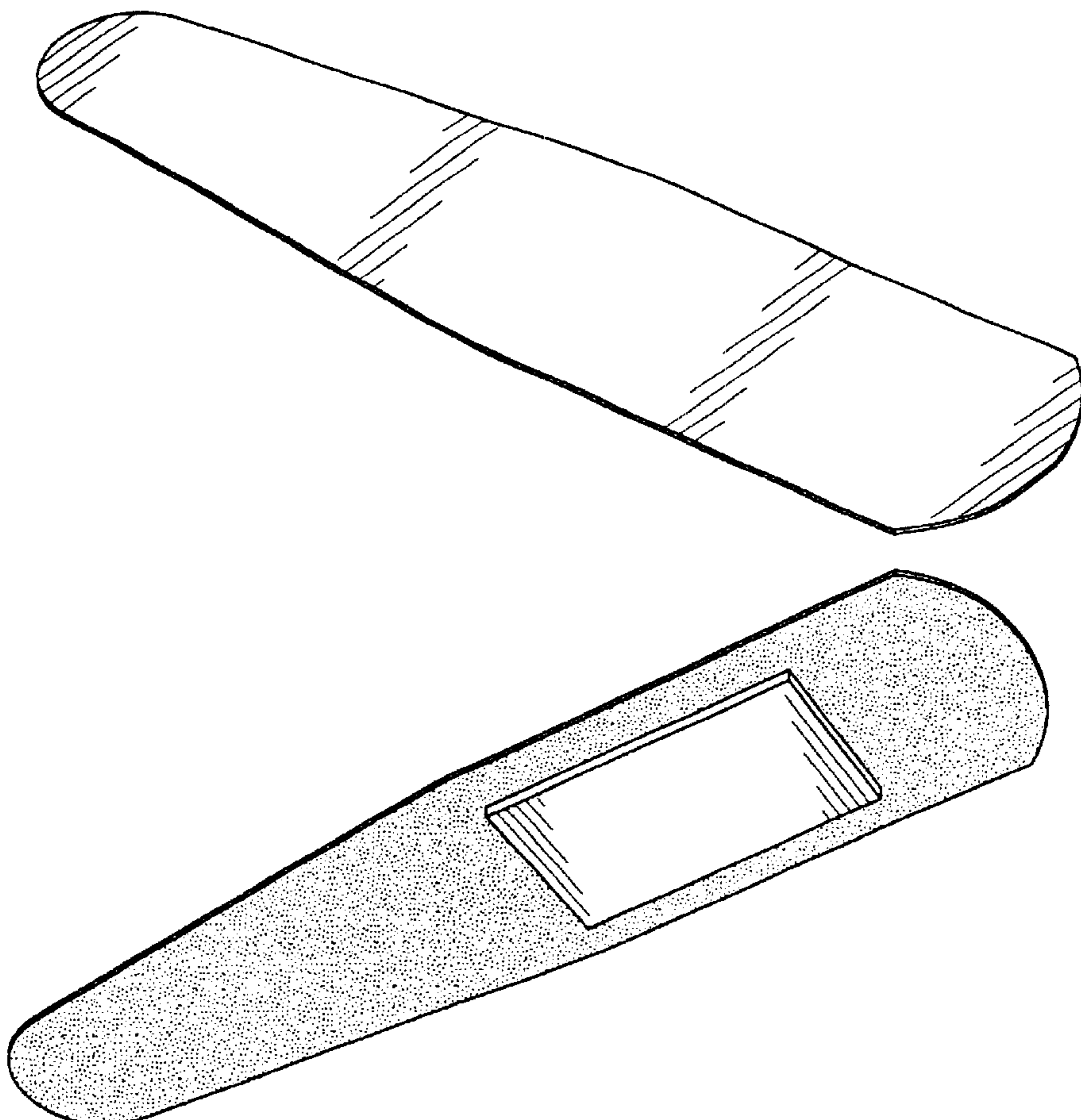
(57) **CLAIM**

The ornamental design for an adhesive bandage, substan-  
tially as shown and described.

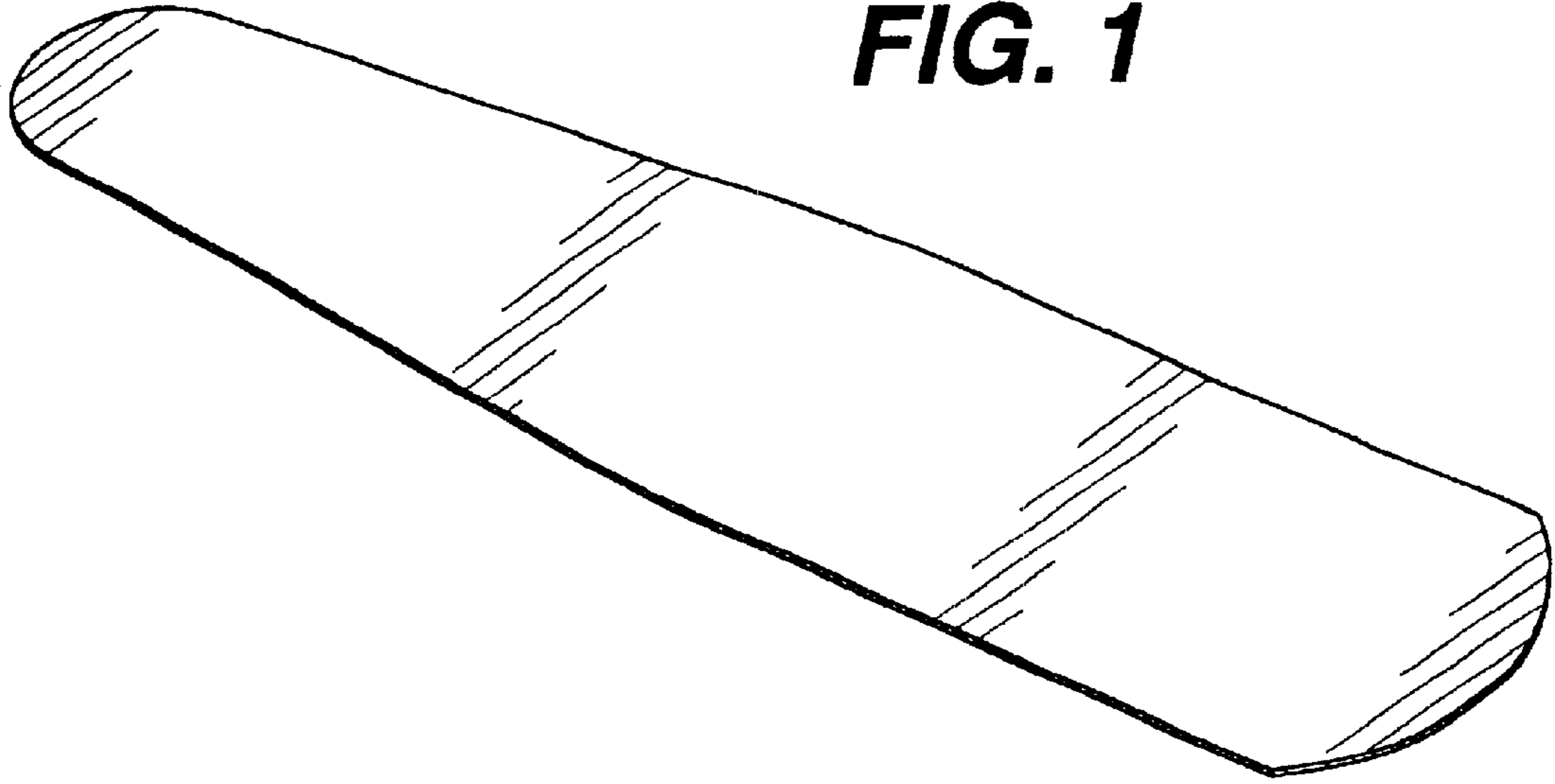
**DESCRIPTION**

FIG. 1 is a top perspective view of an adhesive bandage  
embodying our new design;  
FIG. 2 is a bottom perspective view thereof;  
FIG. 3 is a top plan view thereof;  
FIG. 4 is a side elevational view thereof, the opposite side  
being a mirror image thereof;  
FIG. 5 is a bottom plan view thereof;  
FIG. 6 is an end elevational view taken in the direction  
shown by directional line 6—6 in FIG. 4; and,  
FIG. 7 is an end elevational view taken in the direction  
shown by directional line 7—7 in FIG. 4.

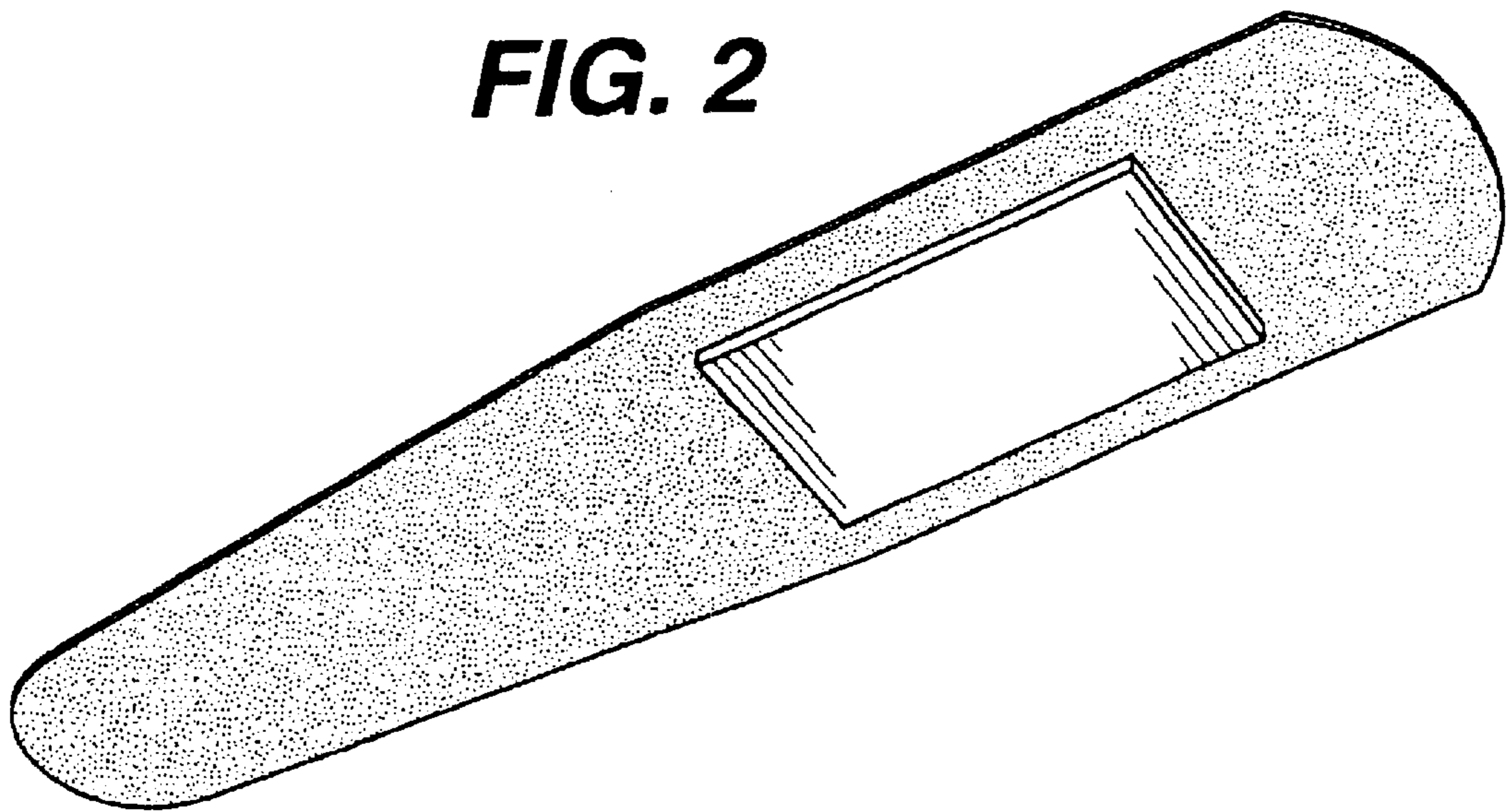
**1 Claim, 3 Drawing Sheets**



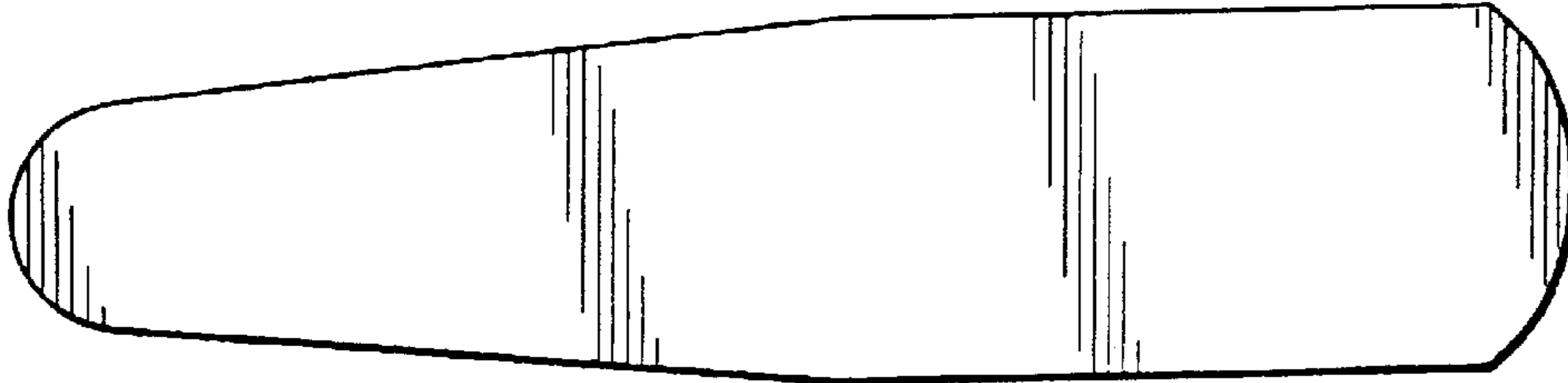
**FIG. 1**



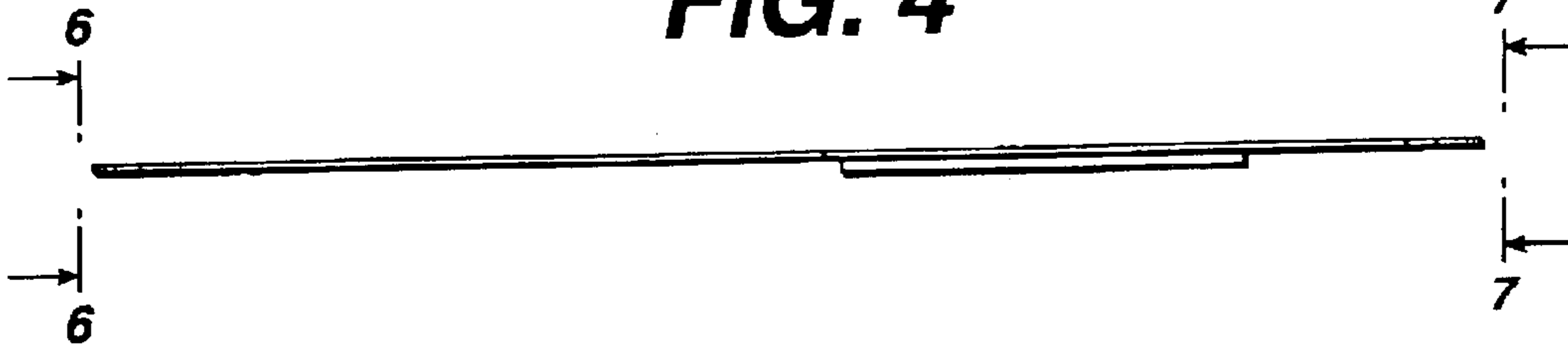
**FIG. 2**



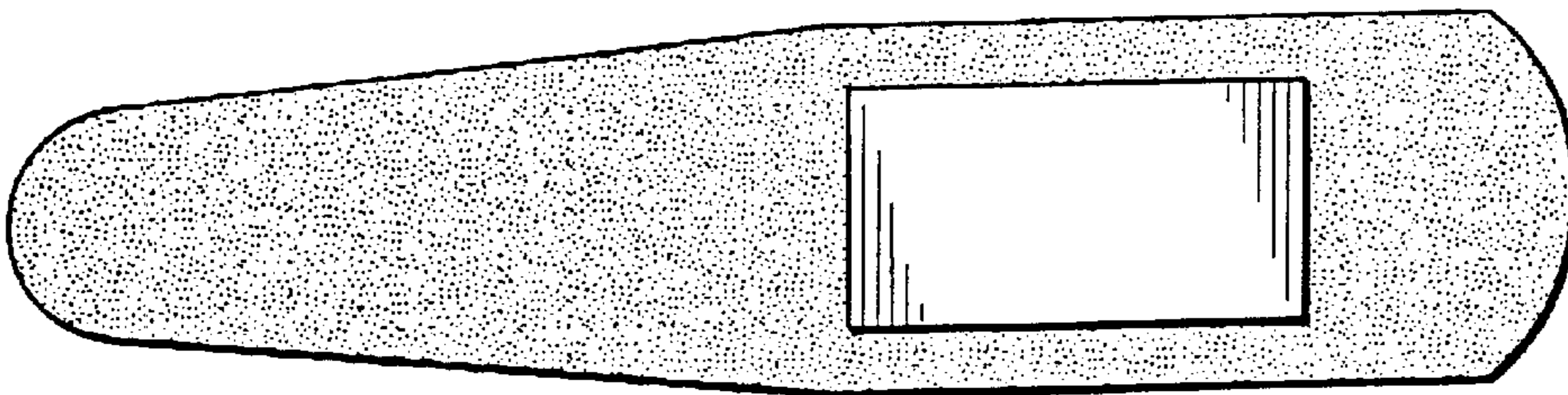
**FIG. 3**



**FIG. 4**



**FIG. 5**



***FIG. 6***



***FIG. 7***

