



US00D463562S

(12) **United States Design Patent** (10) **Patent No.:** **US D463,562 S**
Crawford et al. (45) **Date of Patent:** **** Sep. 24, 2002**

(54) **ADAPTOR**

5,800,781 A * 9/1998 Gavin et al. 422/58
 6,056,701 A * 5/2000 Duchon et al. 600/583
 6,196,979 B1 * 3/2001 Virtanen 600/573

(75) Inventors: **Jamieson William Maclean Crawford**,
 New York, NY (US); **Frank Francavilla**,
 Newton, NJ (US)

* cited by examiner

(73) Assignee: **Becton, Dickinson and Company**,
 Franklin Lakes, NJ (US)

Primary Examiner—Ian Simmons

(74) *Attorney, Agent, or Firm*—Nanette S. Thomas

(**) Term: **14 Years**

(57) **CLAIM**

The ornamental design for an adaptor, as shown and described.

(21) Appl. No.: **29/148,411**

(22) Filed: **Sep. 19, 2001**

DESCRIPTION

(51) **LOC (7) Cl.** **24-02**

FIG. 1 is a perspective view of the adaptor as viewed from the bottom;

(52) **U.S. Cl.** **D24/169; D24/128; D24/130**

FIG. 2 is a top plan view thereof;

(58) **Field of Search** D24/169, 112,

FIG. 3 is a front elevational view thereof;

D24/130, 140, 129; 600/583, 579, 365,
367, 465, 573, 576, 368, 369; 422/104,
61, 58

FIG. 4 is a left side elevational view of the adaptor of FIG. 3;

FIG. 5 is a right side elevational view of the adaptor of FIG. 3;

(56) **References Cited**

U.S. PATENT DOCUMENTS

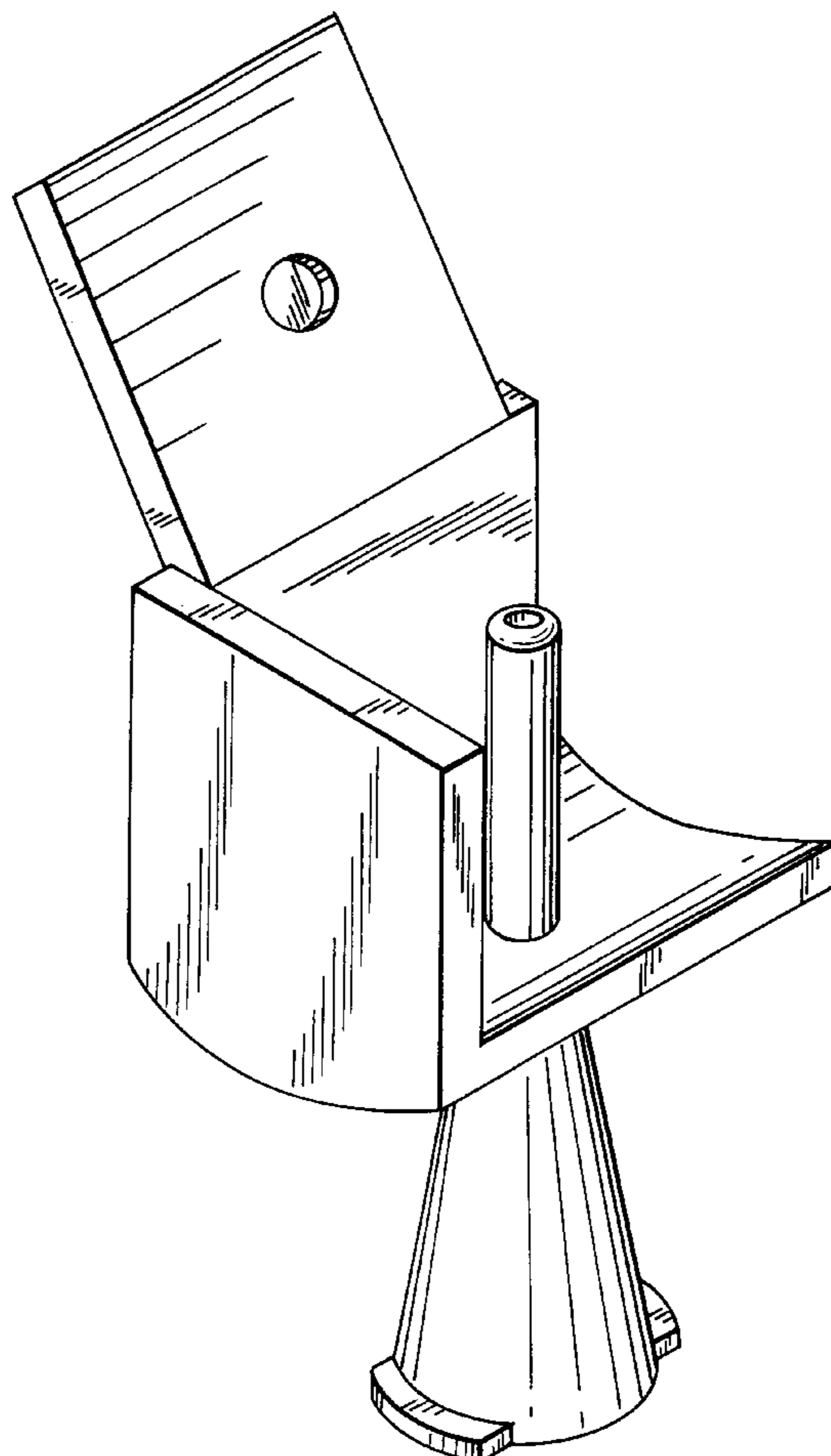
D350,195 S * 8/1994 Poulsen D24/113
 D360,031 S * 7/1995 Davis D24/169
 5,504,011 A * 4/1996 Gavin et al. 600/573
 5,518,006 A * 5/1996 Mawhirt et al. 600/583

FIG. 6 is a rear elevational view thereof;

FIG. 7 is a bottom plan view thereof; and,

FIG. 8 is a perspective view similar to FIG. 1, but showing the cover of the adaptor in a closed position.

1 Claim, 5 Drawing Sheets



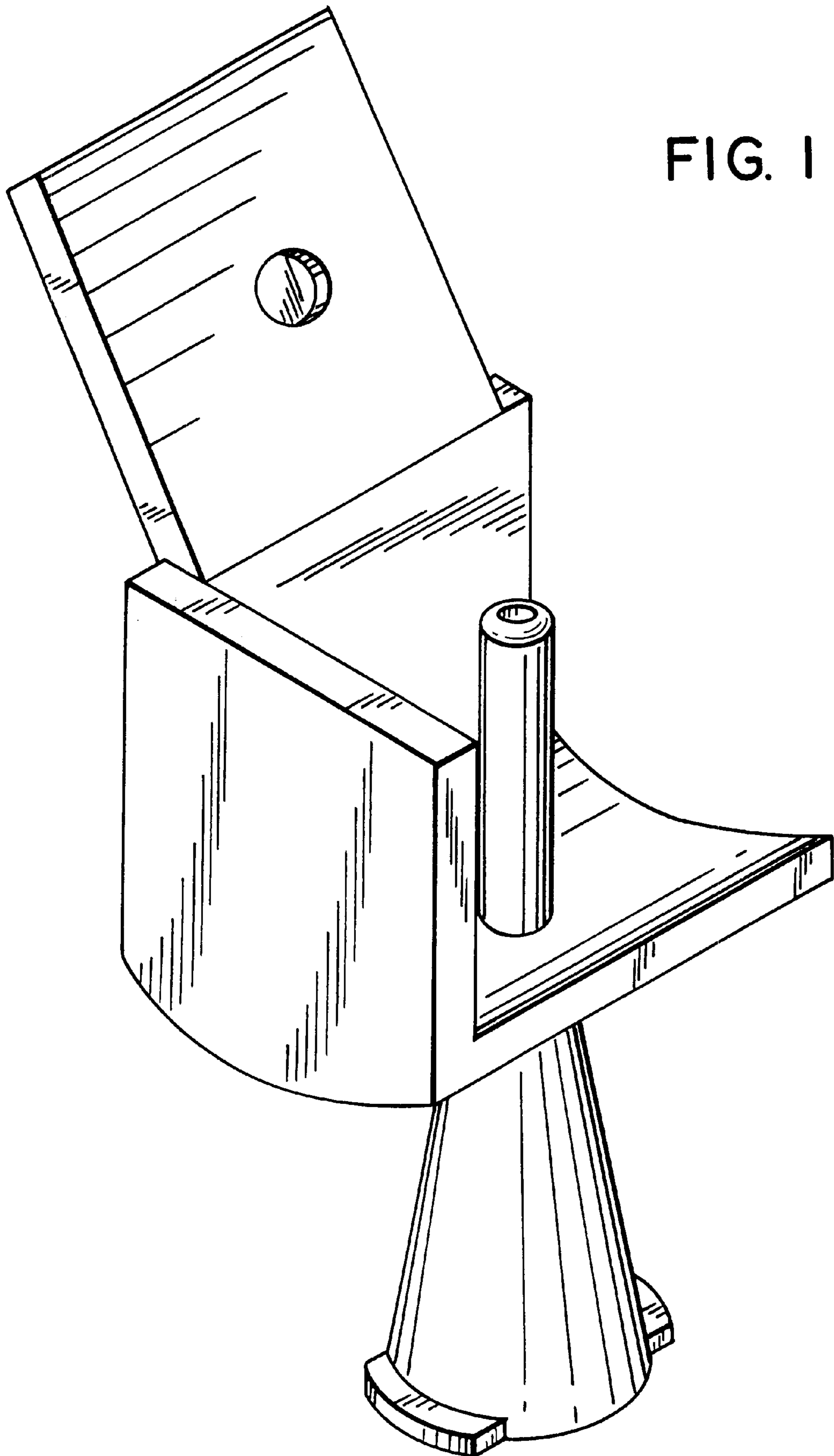


FIG. 1

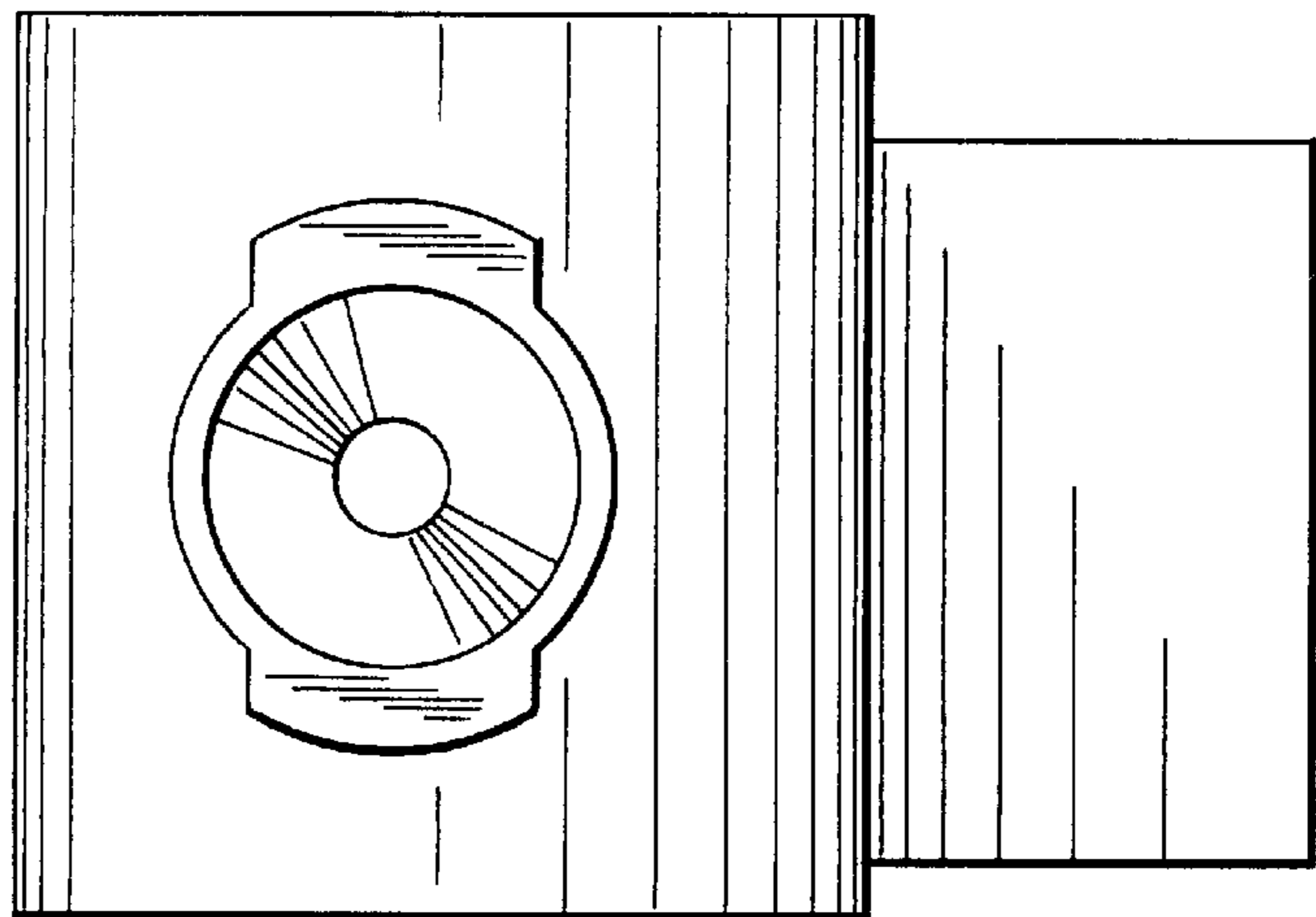


FIG. 2

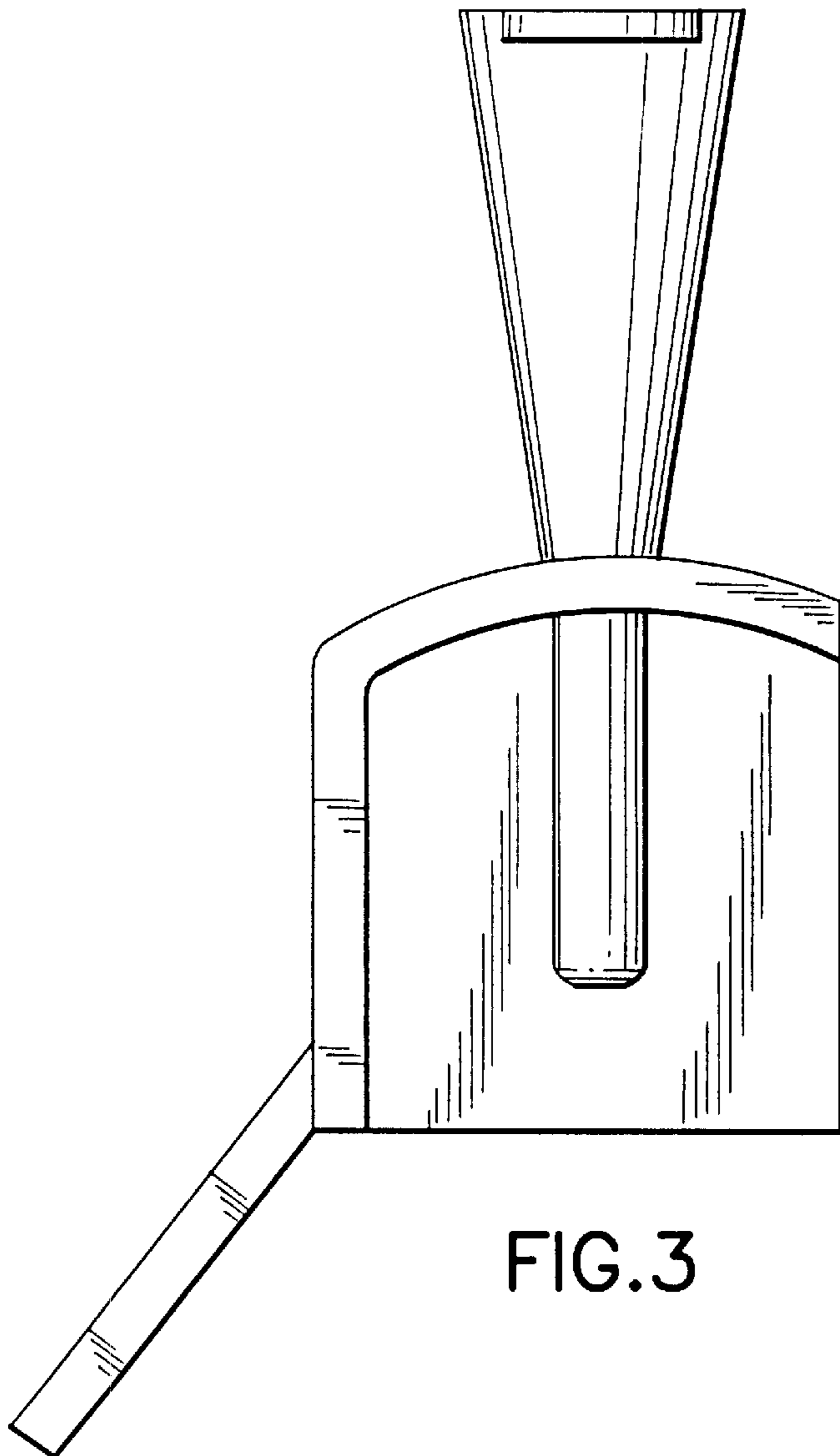


FIG. 3

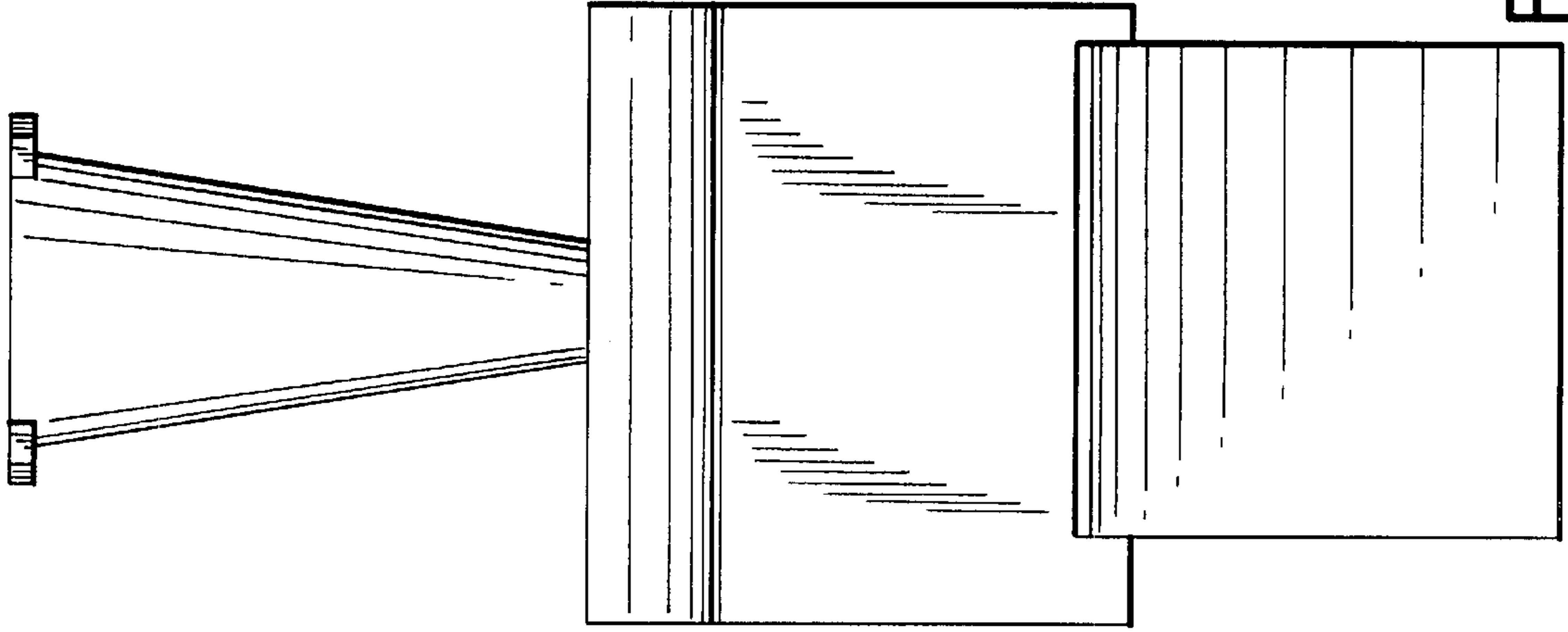


FIG. 5

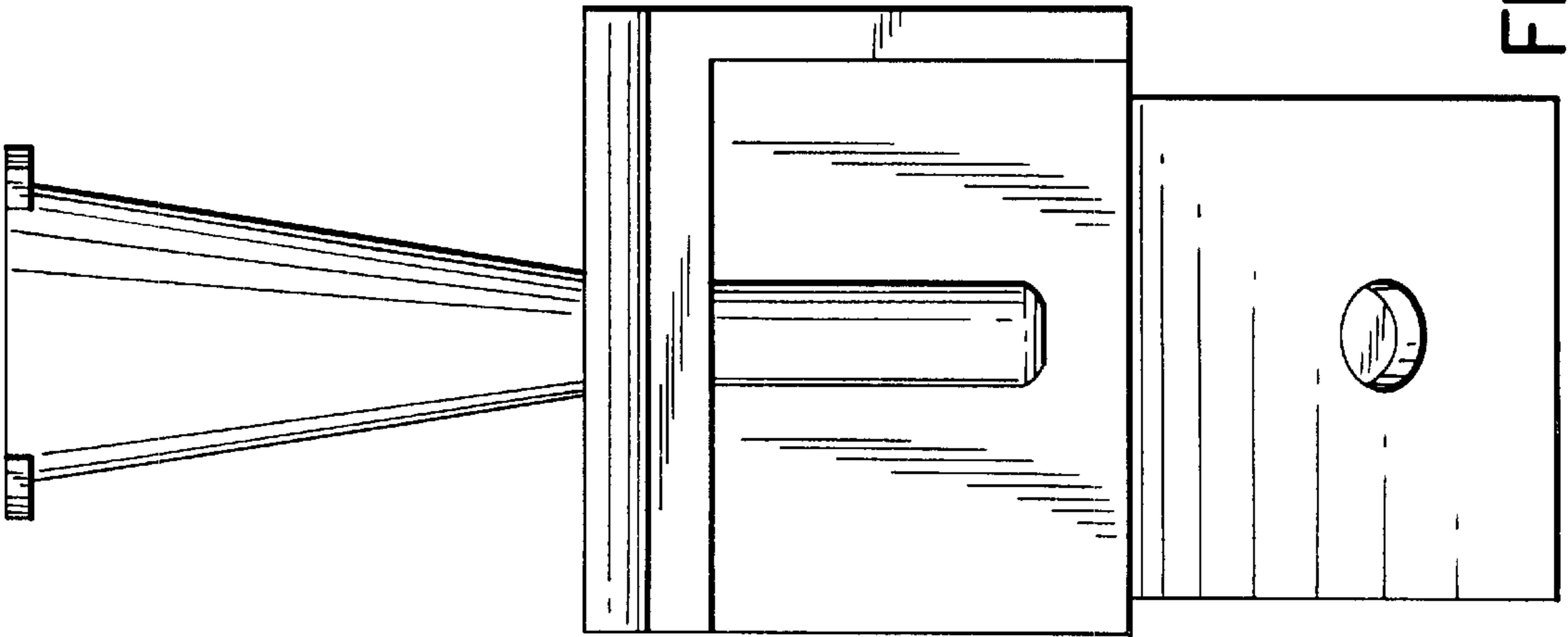


FIG. 4

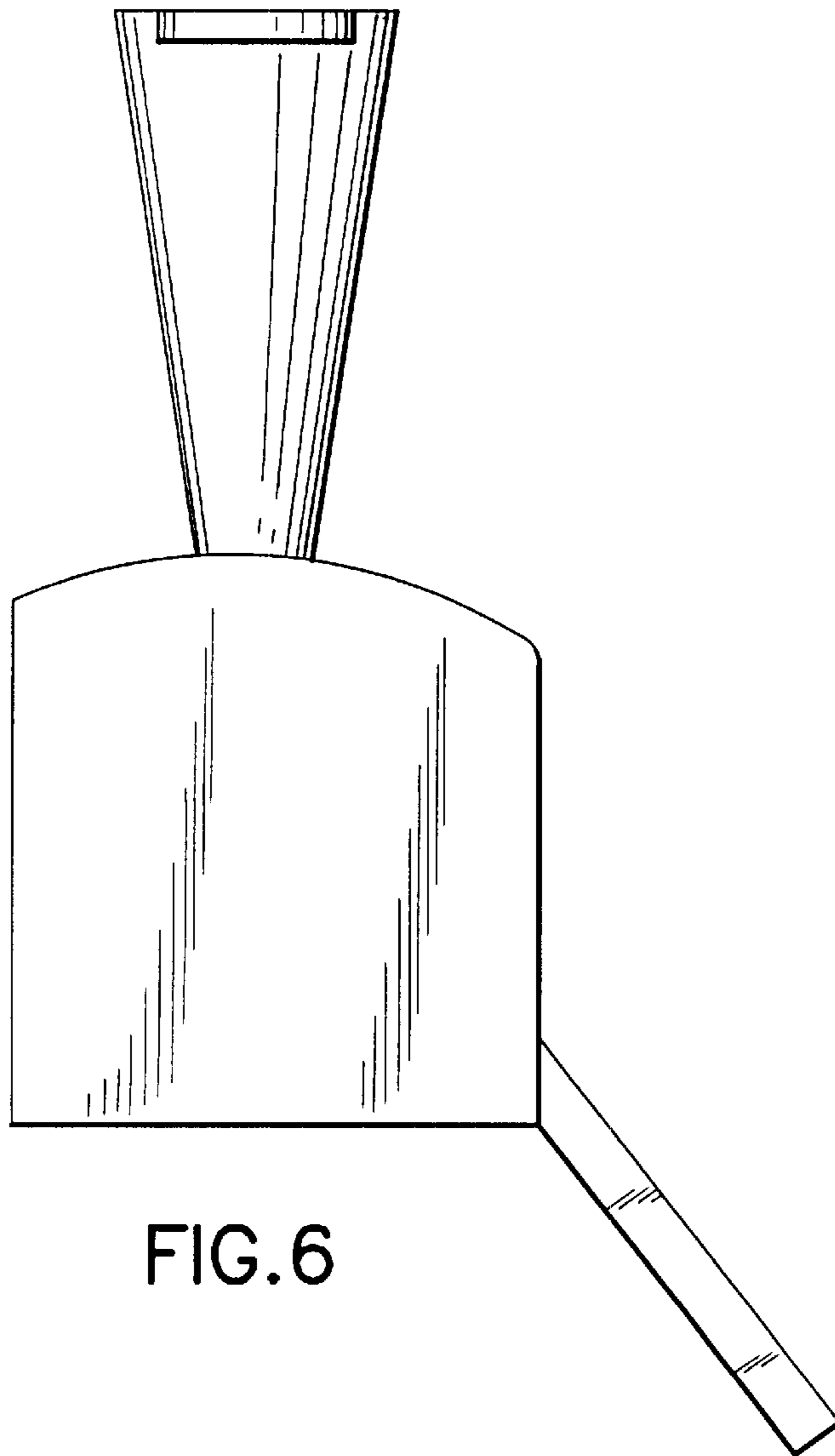


FIG. 6

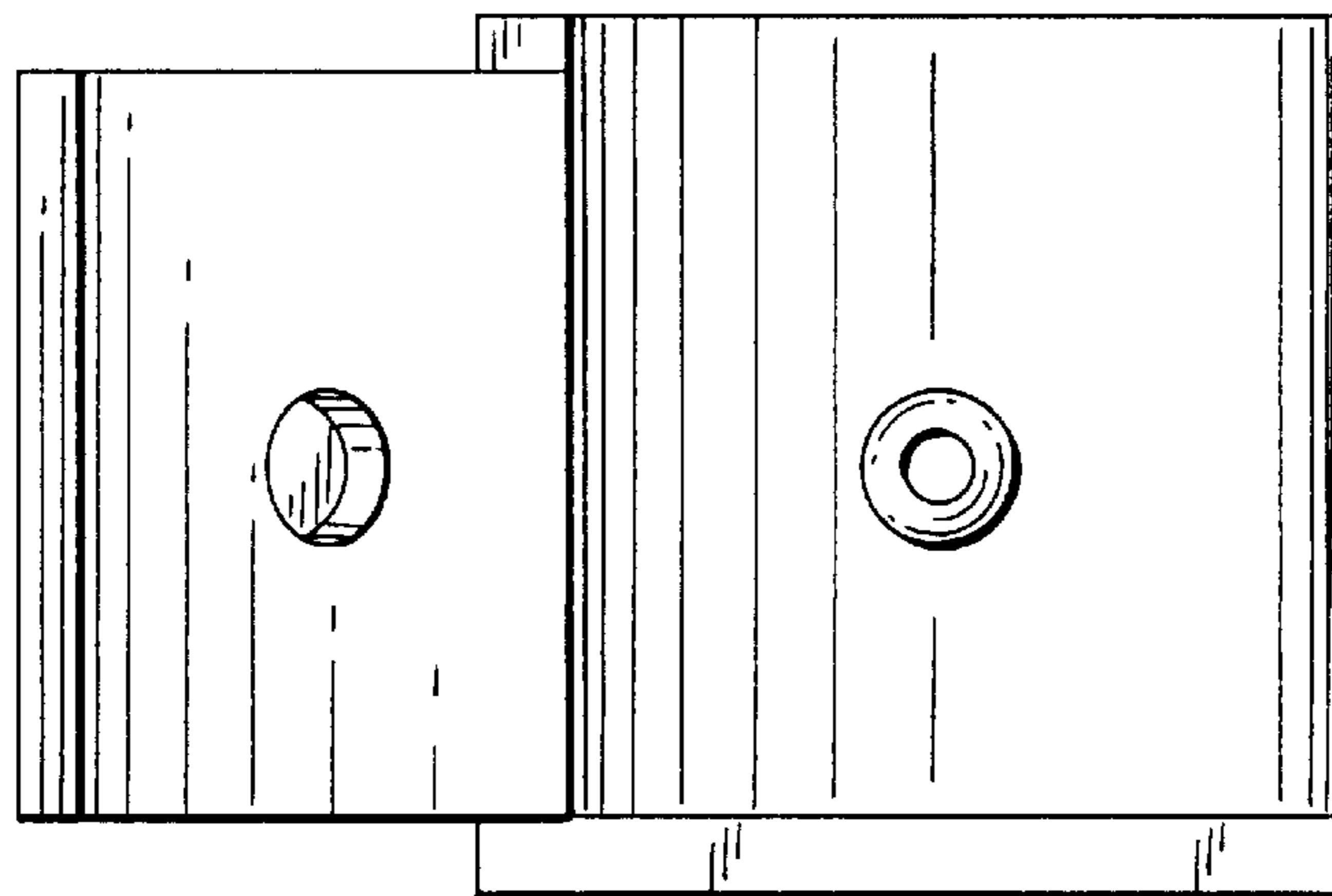


FIG. 7

FIG. 8

