



US00D463546S

(12) **United States Design Patent**  
**Jansen et al.**

(10) **Patent No.: US D463,546 S**  
(45) **Date of Patent: \*\* Sep. 24, 2002**

(54) **DRUG CONTAINER HOLDER**

(75) Inventors: **Hubert Jansen**, Poisat (FR); **Lionel Vedrine**, Saint Martin d'Herès (FR); **Eric Denis**, Caluire et Cuire (FR); **Samuel Bernier**, Caluire et Cuire (FR); **Emmanuel Delarue**, Sainte Foy les Lyon (FR)

(73) Assignee: **Becton Dickinson and Company**, Franklin Lakes, NJ (US)

(\*\*) Term: **14 Years**

4,919,167 A	4/1990	Manska	
4,923,447 A	5/1990	Morgan	
4,923,448 A	5/1990	Ennis, III	
4,929,230 A	5/1990	Pfleger	
4,944,431 A	7/1990	Blake	
D311,106 S	* 10/1990	Jaber .....	D6/520
4,962,868 A	10/1990	Borchard	
4,964,866 A	10/1990	Szwarc	
4,966,535 A	10/1990	Lina et al.	
4,986,818 A	1/1991	Imbert et al.	
4,994,045 A	2/1991	Ranford	
D328,643 S	* 8/1992	Mitchell .....	D24/114
5,171,219 A	12/1992	Fujioka et al.	

(List continued on next page.)

(21) Appl. No.: **29/121,335**

(22) Filed: **Apr. 5, 2000**

**Related U.S. Application Data**

(63) Continuation-in-part of application No. 29/112,339, filed on Oct. 14, 1999, now Pat. No. Des. 446,578.

(51) **LOC (7) Cl. .... 24-02**

(52) **U.S. Cl. .... D24/114; D24/110; D24/128; D24/130**

(58) **Field of Search .... D24/133, 114, D24/112, 128, 130, 110, 113; 128/200.19, 200.14, 200.22; 604/197, 232, 192, 210, 220, 193, 198**

(56) **References Cited**

**U.S. PATENT DOCUMENTS**

D212,991 S	* 12/1968	Evers et al. ....	D24/114
D226,767 S	* 4/1973	Dragen .....	D24/114
3,874,380 A	4/1975	Baum	
3,874,381 A	4/1975	Baum	
4,061,254 A	12/1977	Nilson	
4,235,235 A	11/1980	Bekkering	
4,344,573 A	8/1982	De Felice	
4,405,308 A	9/1983	Jessup	
4,599,082 A	7/1986	Grimard	
4,613,326 A	9/1986	Szwarc	
4,673,110 A	6/1987	Workum	
4,767,416 A	8/1988	Wolf et al.	
4,883,470 A	11/1989	Haindl	

**FOREIGN PATENT DOCUMENTS**

EP	0835820 A1	3/1991
EP	0452728 A1	10/1991
EP	0334349 B1	2/1992
EP	0546607 B1	11/1992
EP	0546607 A1	11/1992
EP	0606672 B1	7/1994

(List continued on next page.)

*Primary Examiner*—Ian Simmons

(74) *Attorney, Agent, or Firm*—Allen W. Wark, Esq.

(57) **CLAIM**

The ornamental design for a drug container holder, as shown and described.

**DESCRIPTION**

FIG. 1 is a top, side and distal end perspective view of a drug container holder showing our new design;

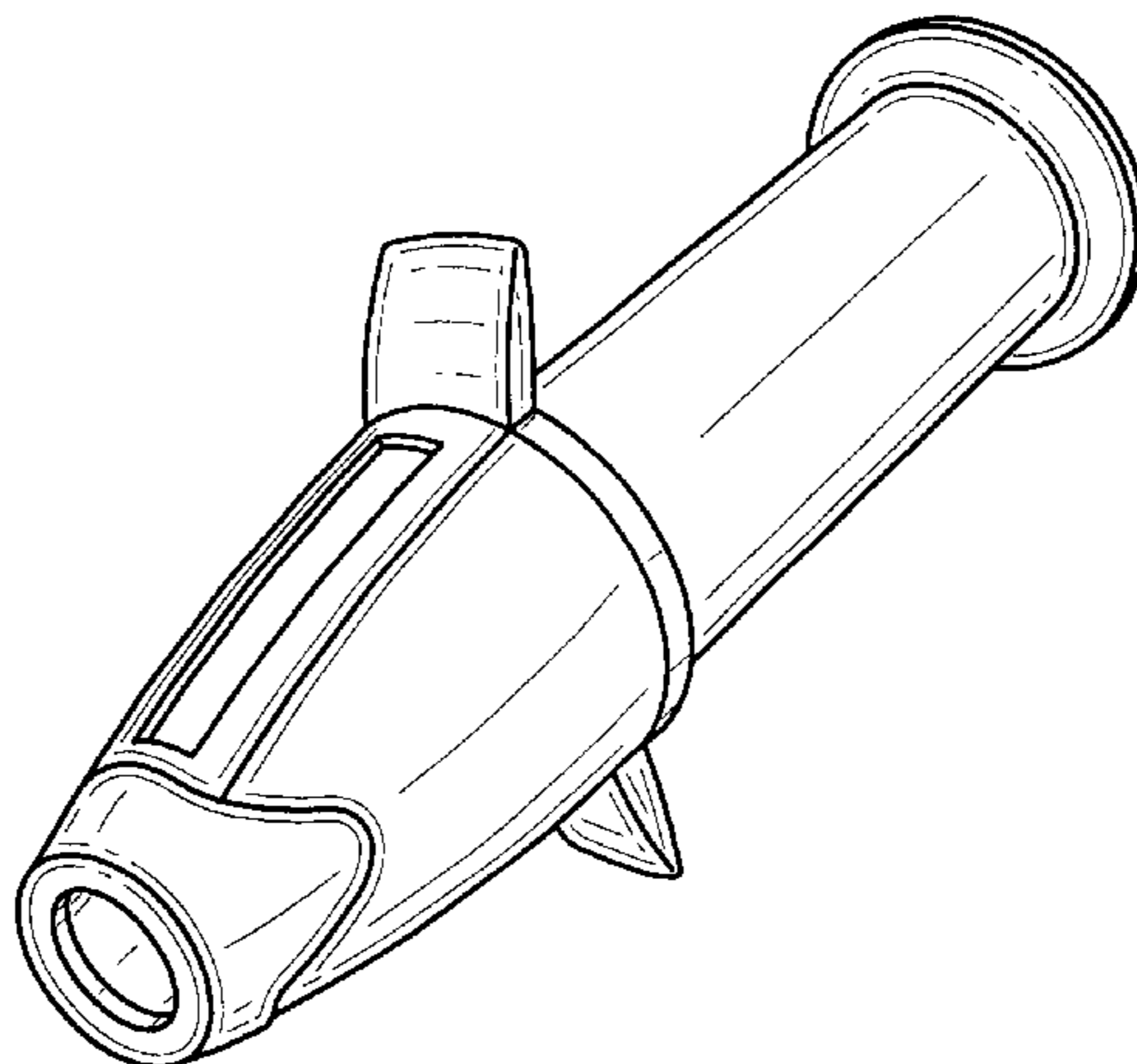
FIG. 2 is a distal end view;

FIG. 3 is a proximal end view;

FIG. 4 is a top plan view having a bottom plan view being a mirror image; and,

FIG. 5 is a left side elevational view having a right side view being a mirror image.

**1 Claim, 2 Drawing Sheets**



U.S. PATENT DOCUMENTS

5,181,658 A 1/1993 Behar  
 5,284,132 A 2/1994 Geier  
 5,289,818 A 3/1994 Citterio et al.  
 5,427,280 A 6/1995 Fuchs  
 5,447,151 A 9/1995 Bruna et al.  
 5,511,698 A 4/1996 Solignac  
 5,514,107 A \* 5/1996 Haber et al. .... 604/197  
 5,519,980 A 5/1996 Guentert et al.  
 5,584,417 A 12/1996 Graf et al.  
 5,601,077 A 2/1997 Imbert  
 5,607,400 A 3/1997 Thibault et al.  
 5,630,793 A 5/1997 Rowe  
 5,655,689 A 8/1997 Fuchs et al.  
 5,662,098 A 9/1997 Yoshida  
 5,692,650 A 12/1997 Wolter et al.  
 5,769,325 A 6/1998 Jouillat et al.  
 5,813,570 A 9/1998 Fuchs et al.  
 D401,323 S 11/1998 Ritsche  
 5,860,567 A 1/1999 Fuchs et al.  
 5,862,962 A 1/1999 Fuchs et al.  
 5,875,938 A 3/1999 Graf et al.  
 5,893,484 A 4/1999 Fuchs et al.  
 5,901,883 A 5/1999 Ritsche  
 D414,555 S \* 9/1999 Ritsche ..... D24/110  
 5,951,526 A 9/1999 Korisch et al.  
 D418,222 S \* 12/1999 Pellow ..... D24/130  
 D425,198 S \* 5/2000 Porta ..... D24/130  
 D433,123 S \* 10/2000 Sheppard et al. .... D24/110

FOREIGN PATENT DOCUMENTS

EP 0835820 B1 4/1998  
 EP 0562943 B1 9/1998  
 EP 0862921 A2 9/1998  
 EP 0870699 A2 10/1998  
 EP 0810955 B1 12/1998  
 FR 2738555 9/1995  
 FR 2743353 1/1996  
 FR 2746657 A1 3/1996  
 FR 2746676 A1 4/1996  
 FR 2758801 1/1997  
 FR 2761281 A1 3/1997  
 FR 2747451 A1 4/1997  
 FR 2747926 4/1997  
 FR 2761667 4/1997  
 FR 2762589 A1 4/1997  
 FR 2764807 A1 6/1997  
 FR 2754453 A1 10/1997  
 FR 2773135 A1 12/1997  
 FR 2760195 A1 3/1998  
 FR 2764375 A1 6/1998  
 JP 09-8545 1/1998  
 WO WO97/01611 1/1997  
 WO WO98/06502 2/1998  
 WO WO98/34732 8/1998

\* cited by examiner

FIG. 1

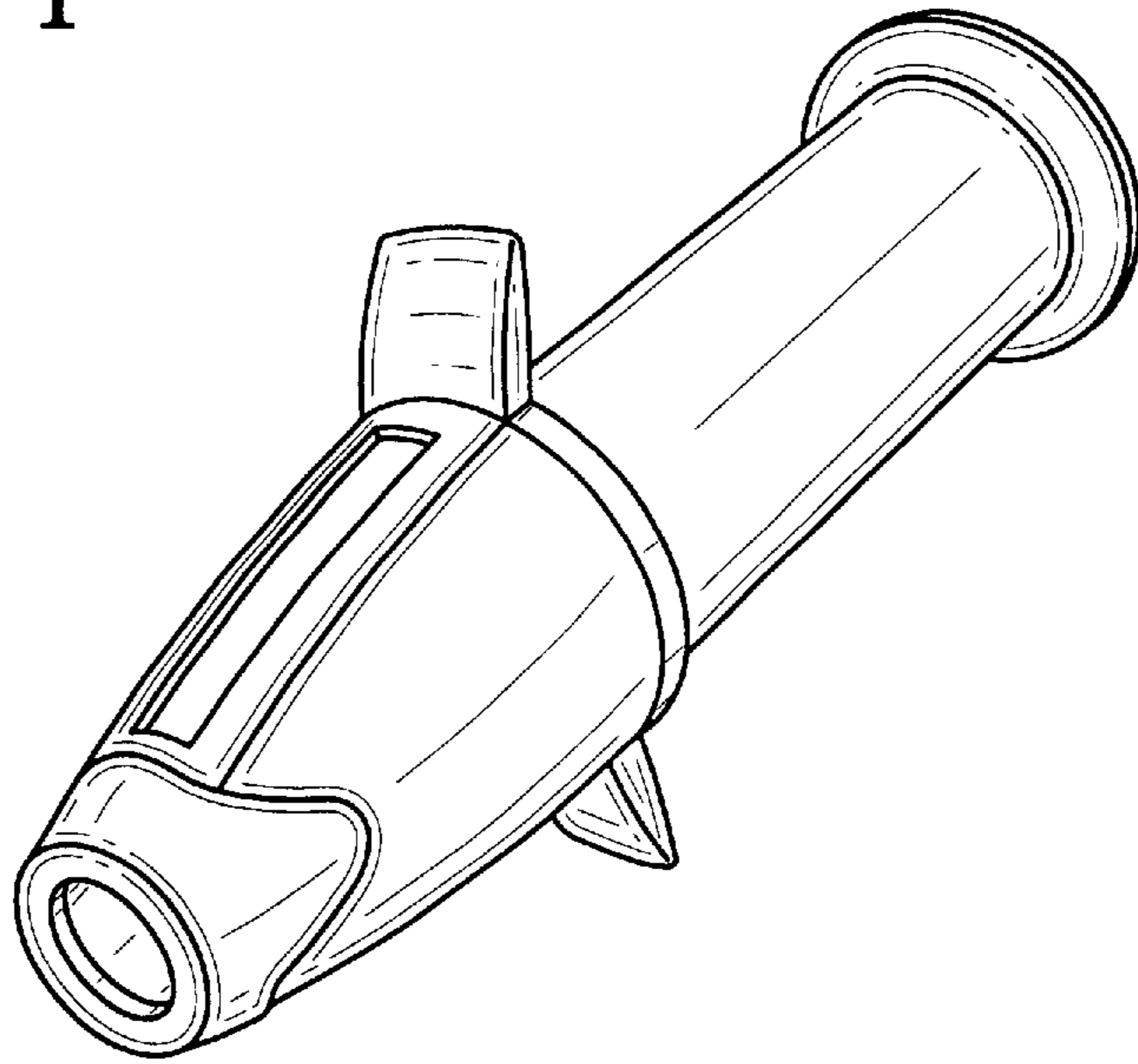


FIG. 2

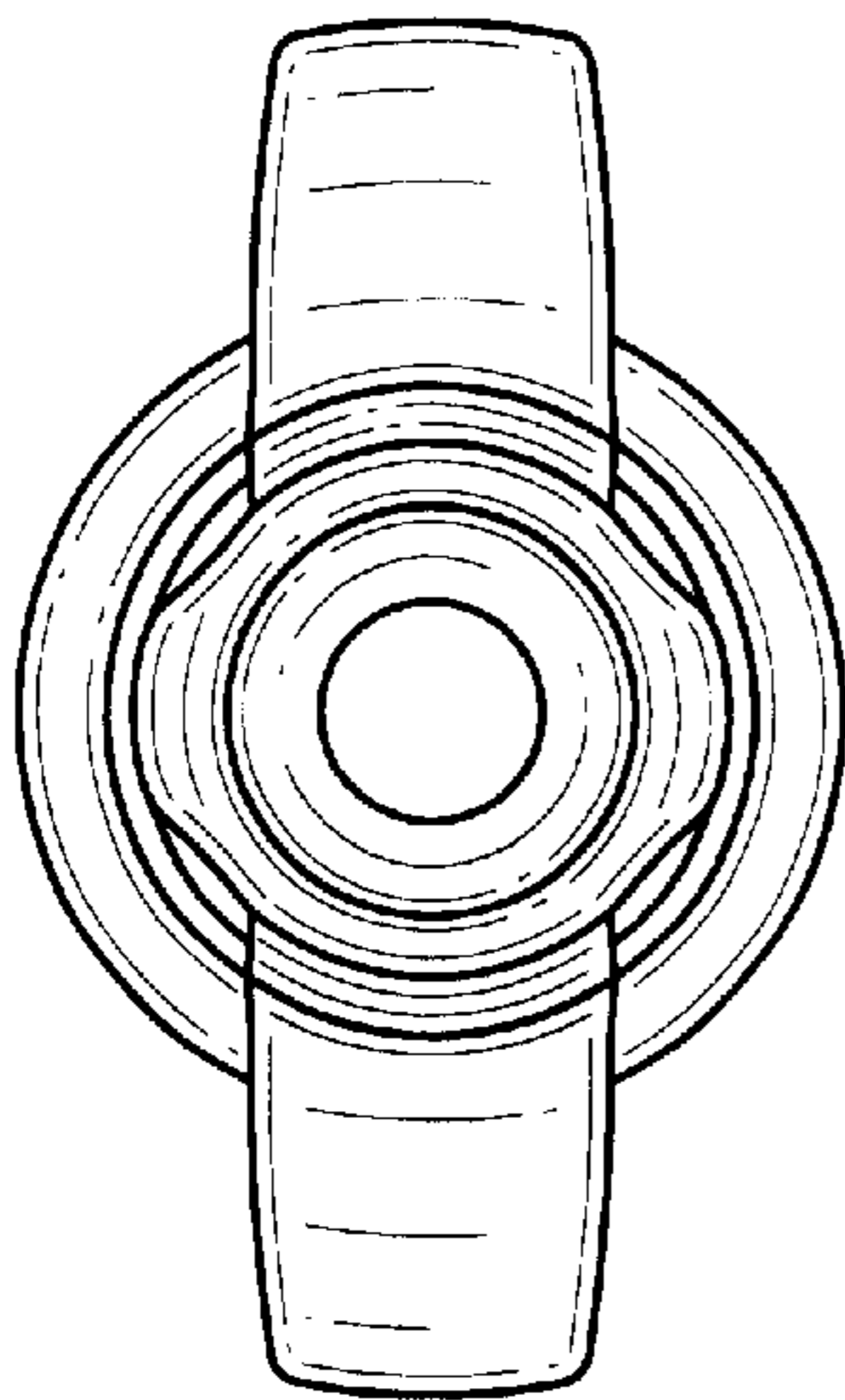


FIG. 3

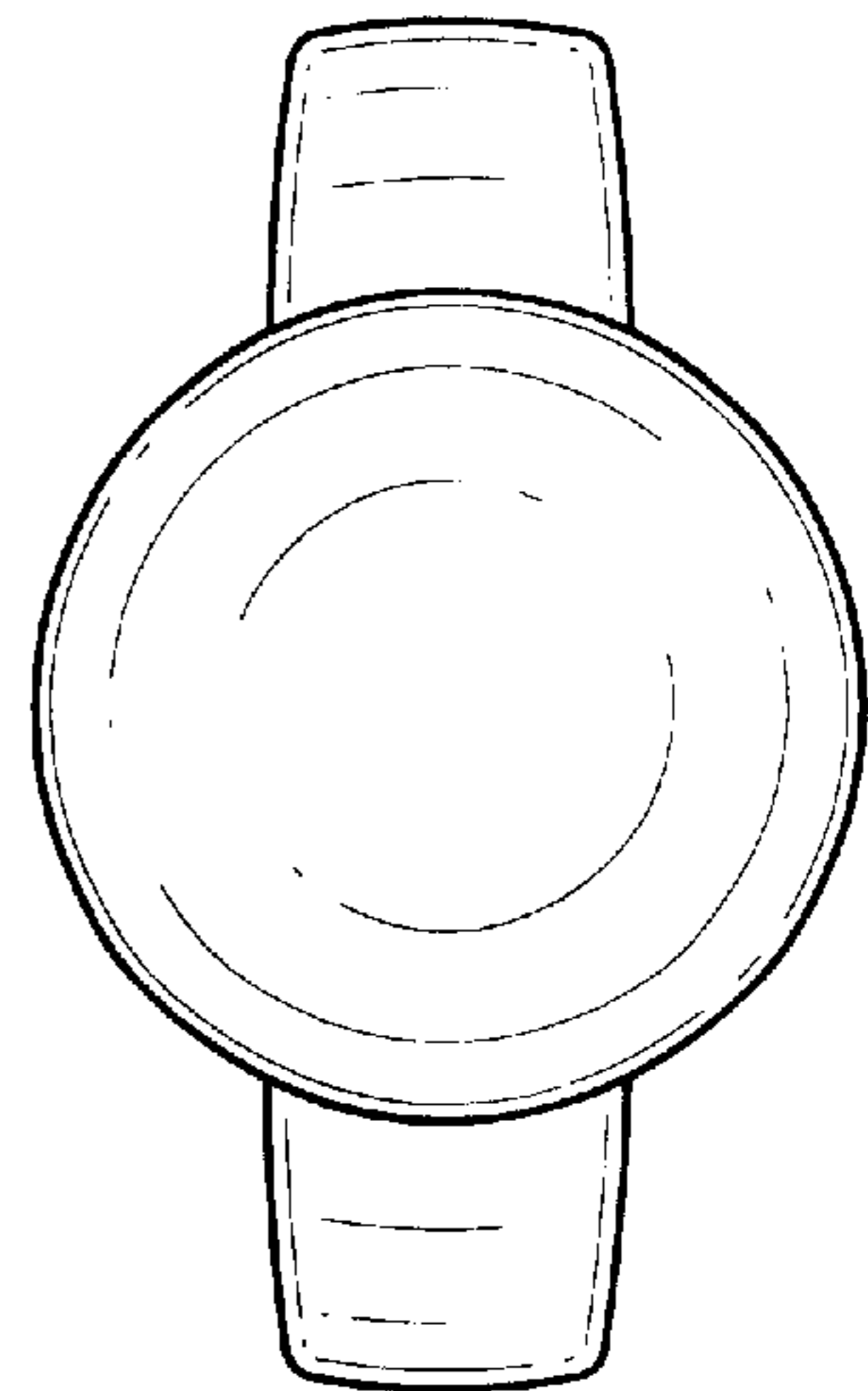


FIG. 4

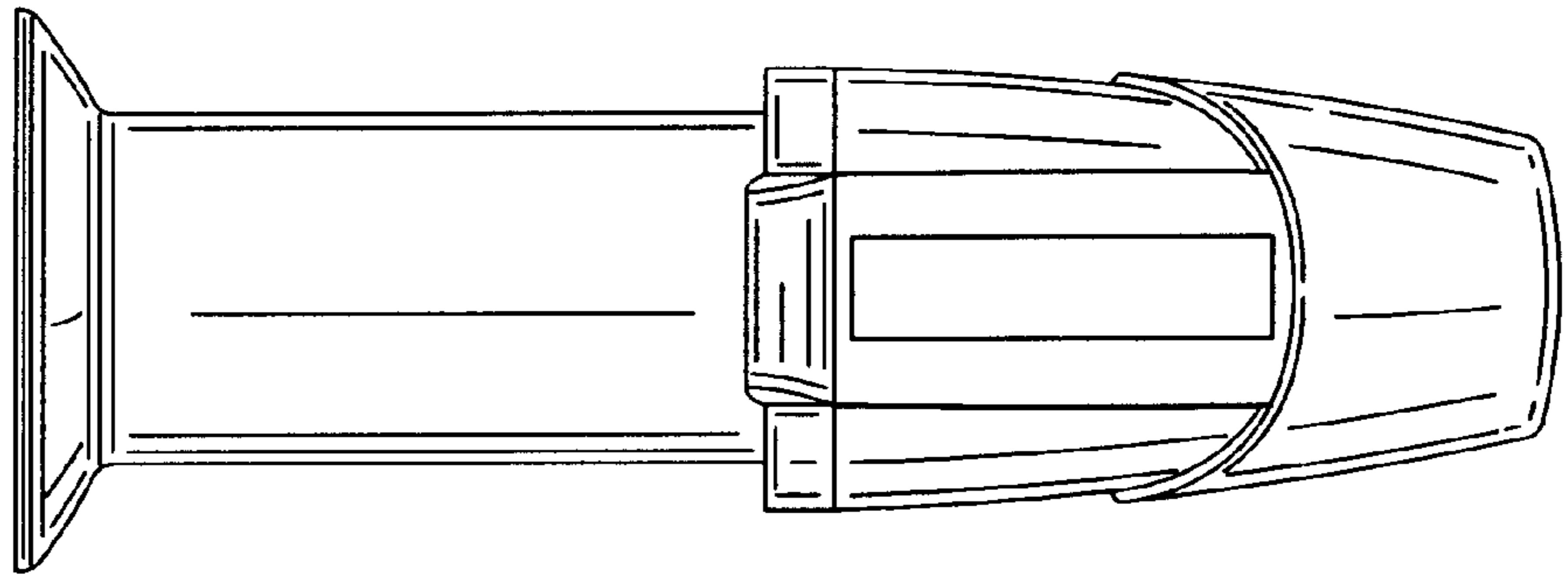


FIG. 5

