



US00D463545S

(12) **United States Design Patent** (10) **Patent No.:** **US D463,545 S**
Sutton et al. (45) **Date of Patent:** **** Sep. 24, 2002**

(54) **MANIFOLD FOR PHACO MACHINE**

(75) Inventors: **Thomas B. Sutton**, Irvine, CA (US);
Susanne M. Roslon, Dana Point, CA
(US); **Mark S. Cole**, Trabuco Canyon,
CA (US)

(73) Assignee: **Allergan Sales, Inc.**, Irvine, CA (US)

(**) Term: **14 Years**

(21) Appl. No.: **29/146,325**

(22) Filed: **Aug. 7, 2001**

(51) **LOC (7) Cl.** **24-02**

(52) **U.S. Cl.** **D24/111**

(58) **Field of Search** D24/111, 108;
128/DIG. 12; 604/500, 118, 153, 30, 35,
34, 151; 417/479, 477.1, 474, 477.2, 477.6

(56) **References Cited**

U.S. PATENT DOCUMENTS

- D290,656 S * 6/1987 Kaleskas D24/111
- 5,470,312 A * 11/1995 Zanger et al. 604/34
- D376,848 S * 12/1996 Zeilig et al. D24/111

- 5,746,719 A * 5/1998 Farra et al. 604/151
- 6,059,765 A * 5/2000 Cole et al. 604/500
- D426,882 S * 6/2000 Cole et al. D24/111
- D427,305 S * 6/2000 Cole et al. D24/111

* cited by examiner

Primary Examiner—Ian Simmons

(74) *Attorney, Agent, or Firm*—Walter A. Hackler

(57) **CLAIM**

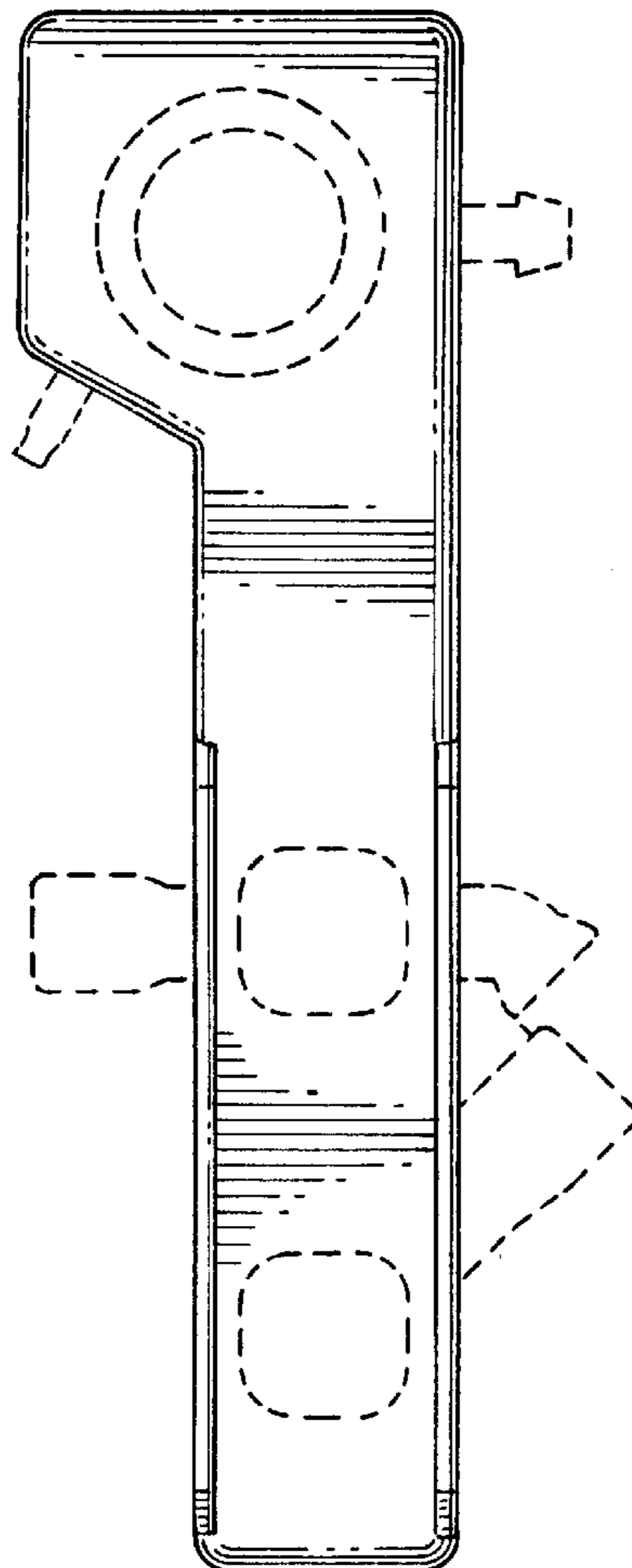
The ornamental design for a manifold for phaco machine, as shown and described.

DESCRIPTION

FIG. 1 is a front elevation view of a manifold for phaco machine showing our new design; FIG. 2 is a left side elevation view; FIG. 3 is a right side elevation view; FIG. 4 is an end elevation view; and, FIG. 5 is an end elevation view, opposite that shown in FIG. 4.

The broken line showing in FIGS. 1 through 5 are for illustrative purposes only and forms no part of the claimed design.

1 Claim, 1 Drawing Sheet



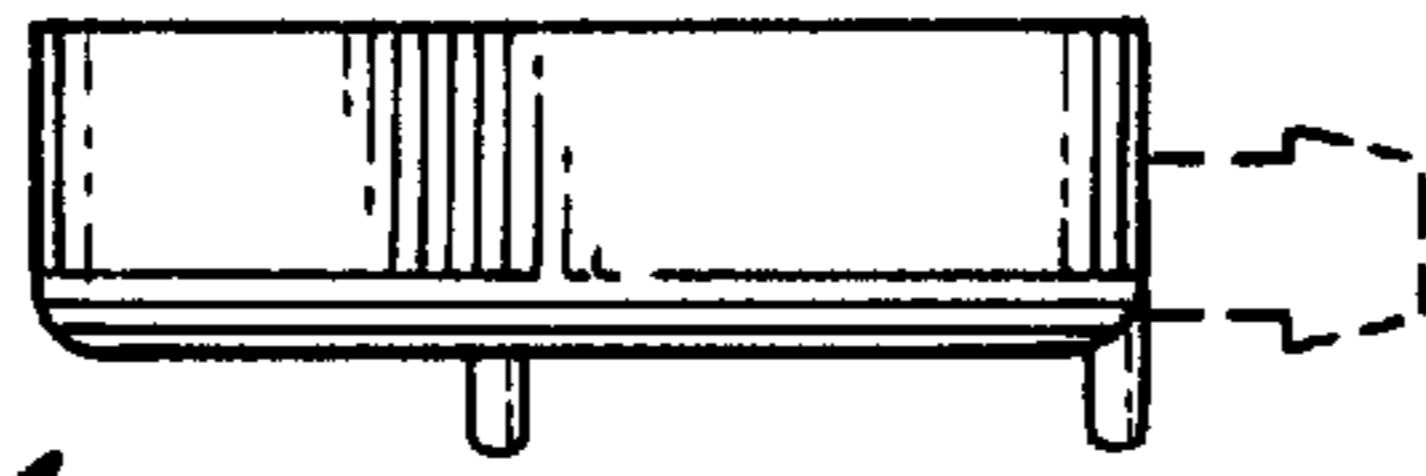


FIG. 4.

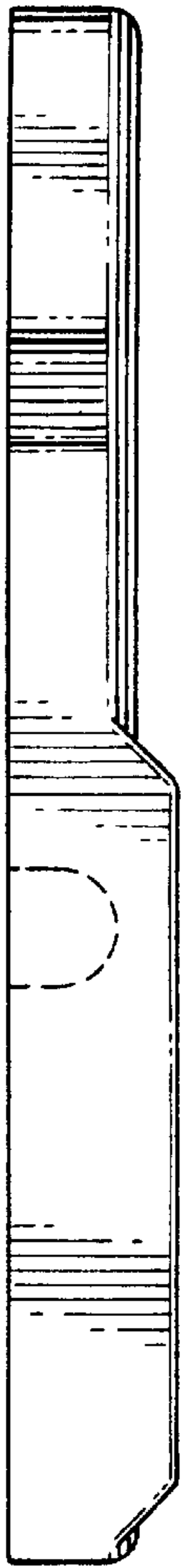


FIG. 2.

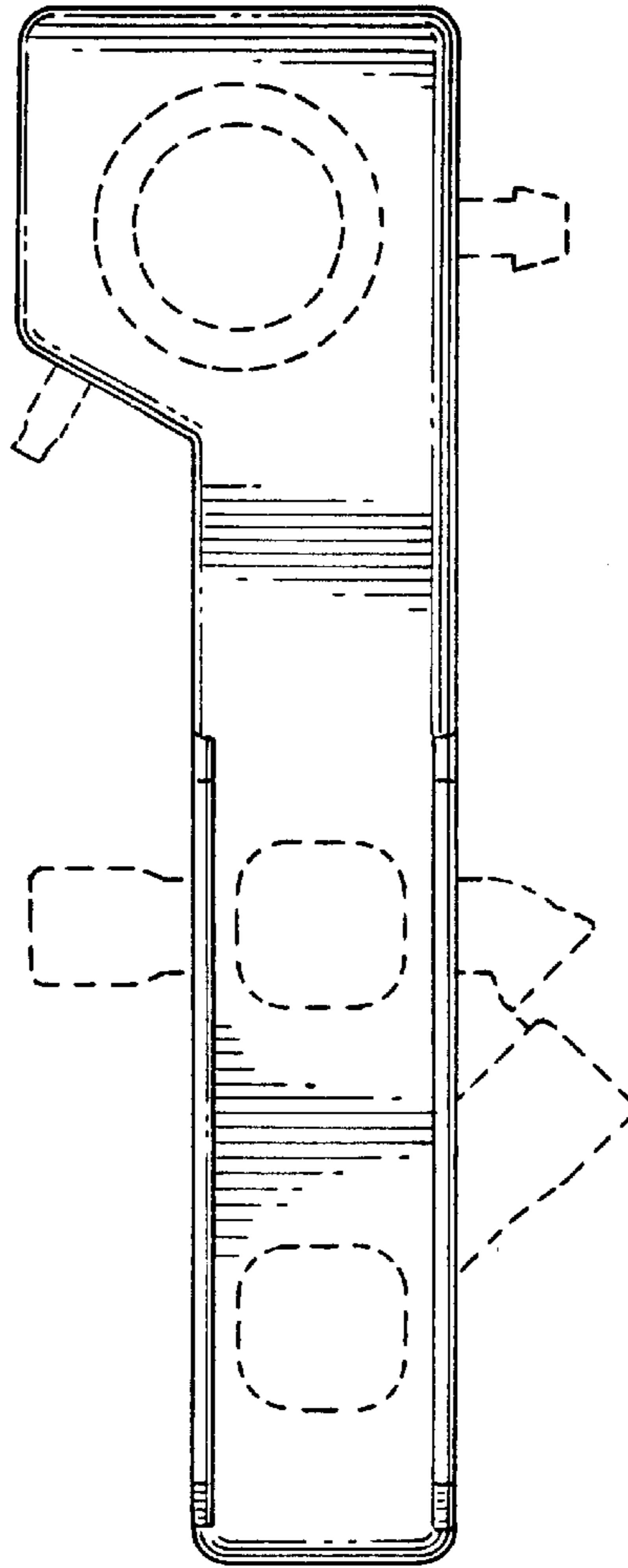


FIG. 1.

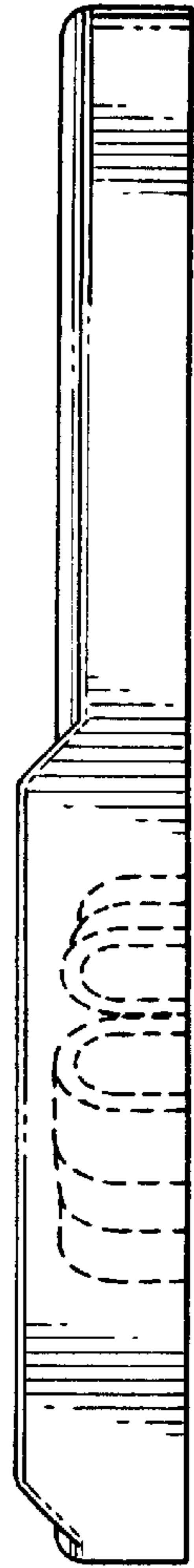


FIG. 3.



FIG. 5.