



US00D463543S

(12) **United States Design Patent**  
**Lantz**

(10) **Patent No.:** **US D463,543 S**

(45) **Date of Patent:** **\*\* Sep. 24, 2002**

(54) **FAN BLADE**

(76) **Inventor:** **John Paul Lantz**, 2997 Riverside Dr.,  
Coral Springs, FL (US) 33065

(\*\*) **Term:** **14 Years**

(21) **Appl. No.:** **29/154,738**

(22) **Filed:** **Jan. 28, 2002**

(51) **LOC (7) Cl.** ..... **23-04**

(52) **U.S. Cl.** ..... **D23/413**

(58) **Field of Search** ..... D23/413, 377,  
D23/385, 411, 379; 416/5

(56) **References Cited**

**U.S. PATENT DOCUMENTS**

D310,561 S \* 9/1990 Janicz ..... D23/377  
D344,130 S \* 2/1994 Craig ..... D23/413

\* cited by examiner

*Primary Examiner*—Lisa Lichtenstein

(74) *Attorney, Agent, or Firm*—Christopher C. Dremann

(57) **CLAIM**

The ornamental design for a fan blade, as shown and described.

**DESCRIPTION**

FIG. 1 is an environmental perspective view of a fan blade showing my new design;

FIG. 2 is an enlarged bottom view thereof;

FIG. 3 is an enlarged rear end view thereof;

FIG. 4 is an enlarged right side view thereof;

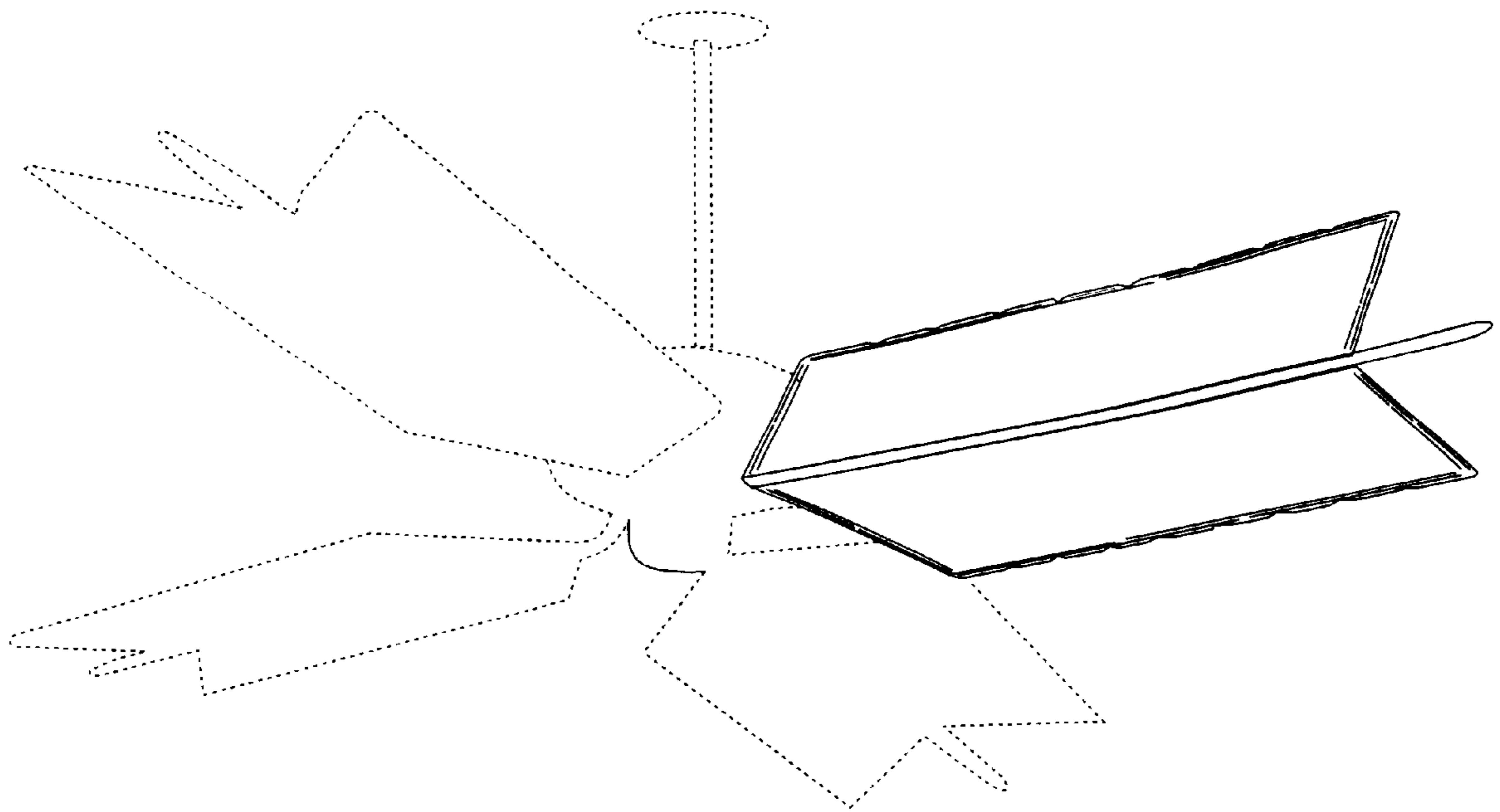
FIG. 5 is an enlarged top view thereof;

FIG. 6 is an enlarged left side view thereof; and,

FIG. 7 is an enlarged front end view thereof.

The broken line showing of environmental structure in FIG. 1 is for illustrative purposes only and forms no part of the claimed design.

**1 Claim, 3 Drawing Sheets**



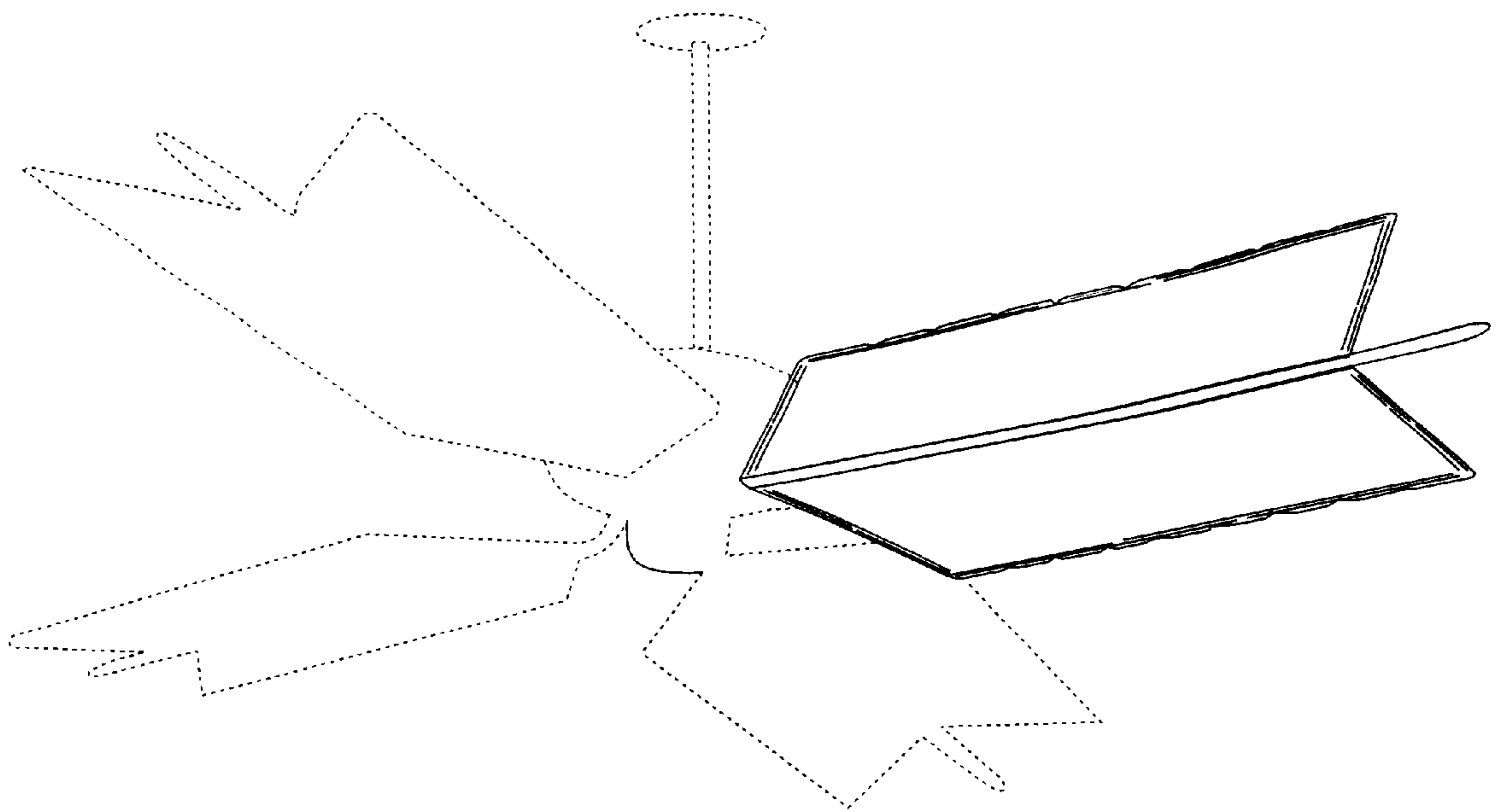


FIG. 1

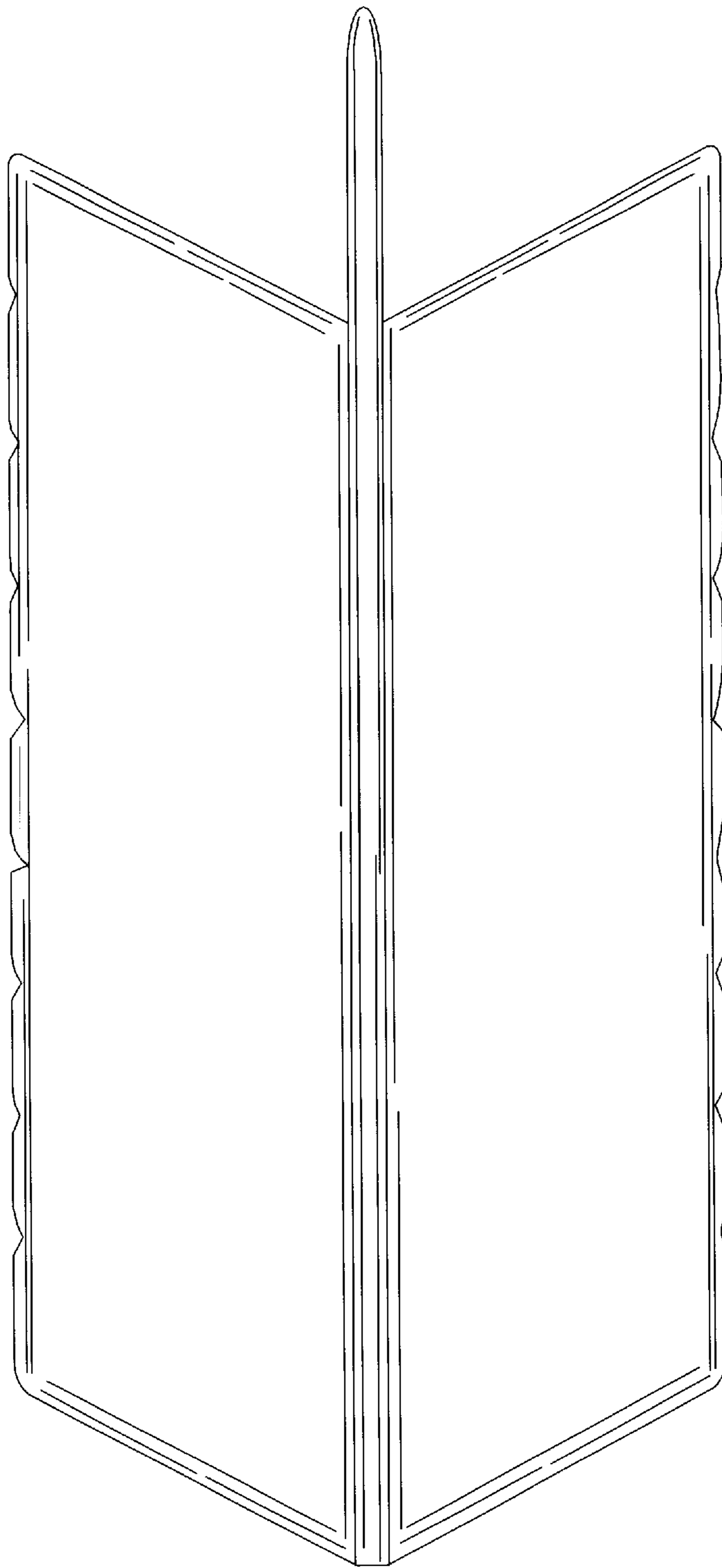


FIG. 2



FIG. 4



FIG. 3



Fig. 7

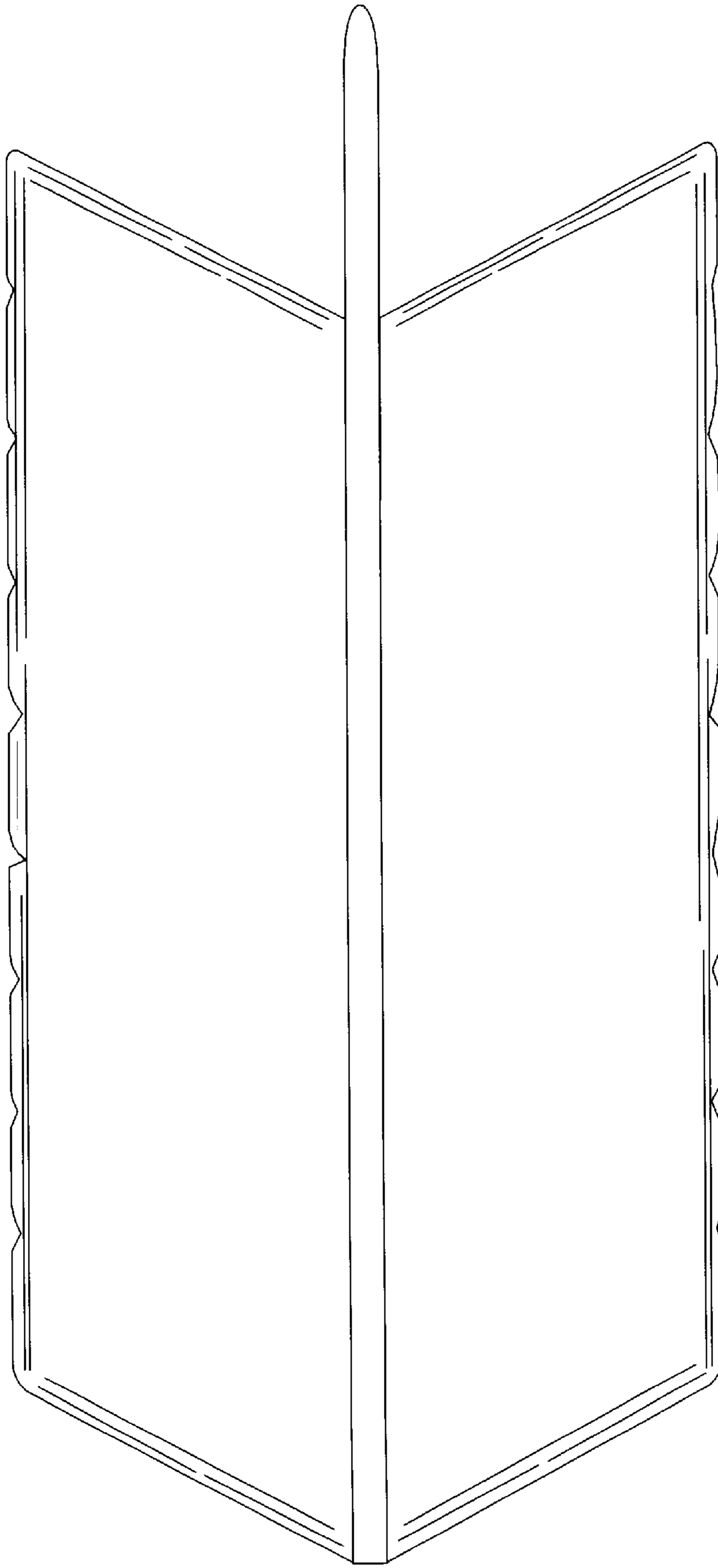


Fig. 5

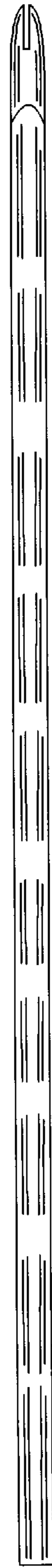


Fig. 6