



US00D463539S

(12) **United States Design Patent**
Piano

(10) **Patent No.:** **US D463,539 S**

(45) **Date of Patent:** **** Sep. 24, 2002**

(54) **LAVATORY**

D399,935 S * 10/1998 Nagato D23/293.1

D411,877 S * 7/1999 Chiu D23/292

D412,562 S * 8/1999 Soulier D23/292

(75) Inventor: **Matteo Piano**, Genoa (IT)

(73) Assignee: **American Standard International Inc.**, New York, NY (US)

* cited by examiner

(**) Term: **14 Years**

Primary Examiner—Louis S. Zarfes

Assistant Examiner—Robert A. Delehanty

(21) Appl. No.: **29/138,765**

(57) **CLAIM**

(22) Filed: **Mar. 20, 2001**

The ornamental design for a lavatory, as shown and described.

(30) **Foreign Application Priority Data**

DESCRIPTION

Sep. 29, 2000 (IT) RE0000012

(51) **LOC (7) Cl.** **23-02**

FIG. 1 is a side elevational view of a lavatory showing our new design;

(52) **U.S. Cl.** **D23/293.1**

FIG. 2 is a front elevational view;

(58) **Field of Search** D23/271, 273,
D23/284–287, 289, 291–292, 293.1, 303,
308; 4/619–620, 624–627, 643, 647–652,
661, 515–517

FIG. 3 is a top plan view; and,

FIG. 4 is a bottom plan view.

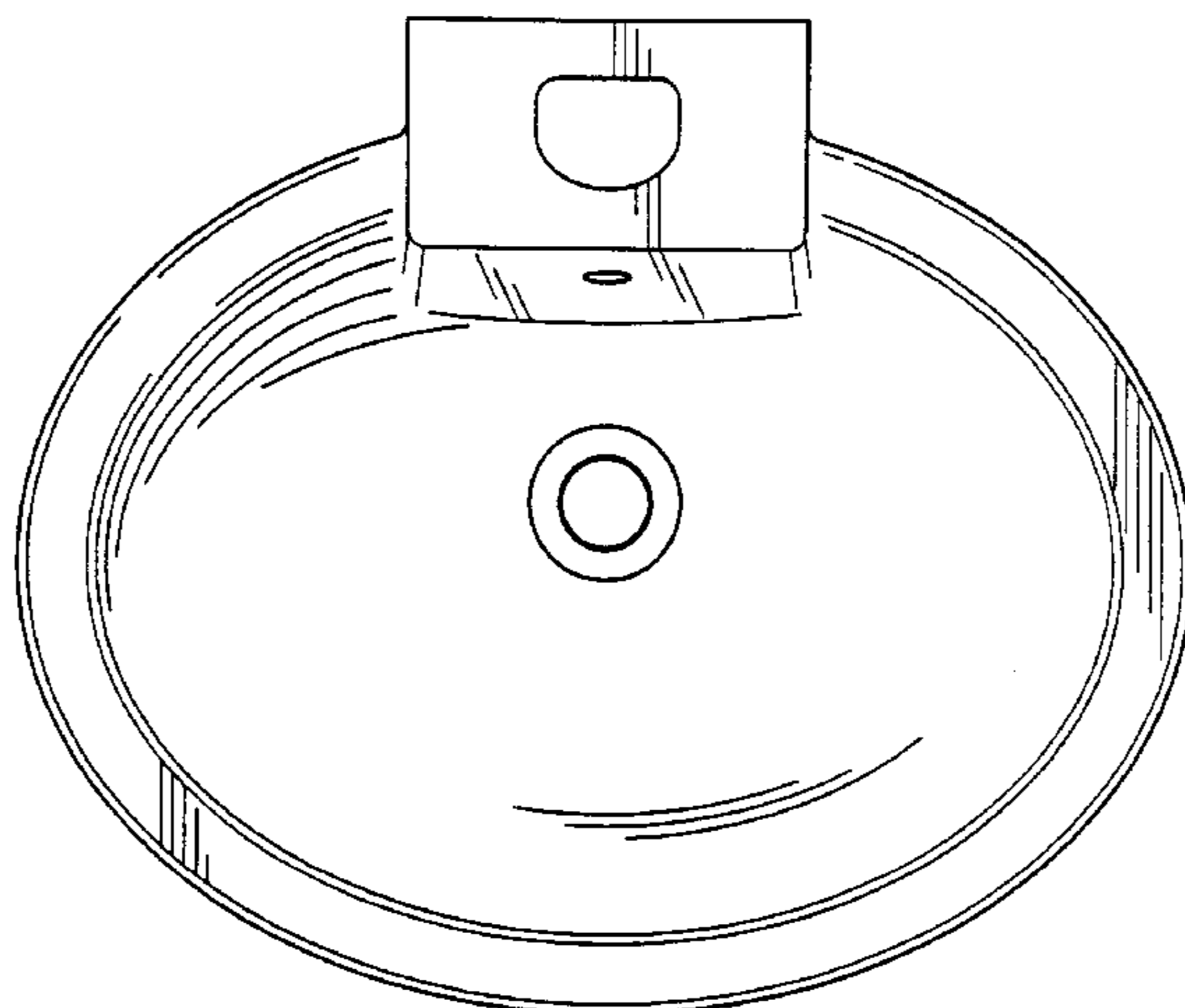
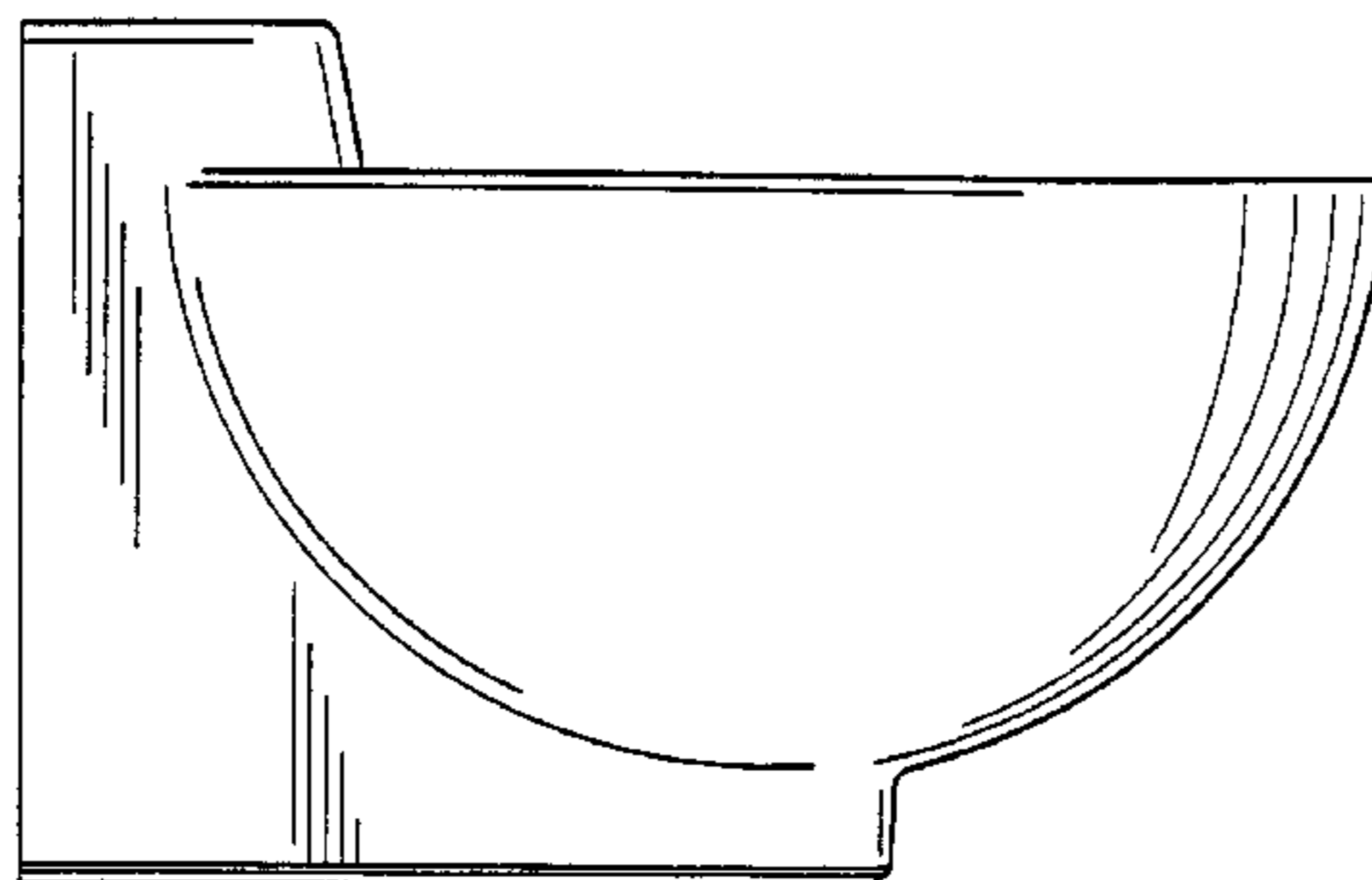
The broken line showing of environmental structure is for illustrative purposes only and forms no part of the claimed design.

(56) **References Cited**

U.S. PATENT DOCUMENTS

D328,338 S * 7/1992 Ragonot D23/284

1 Claim, 2 Drawing Sheets



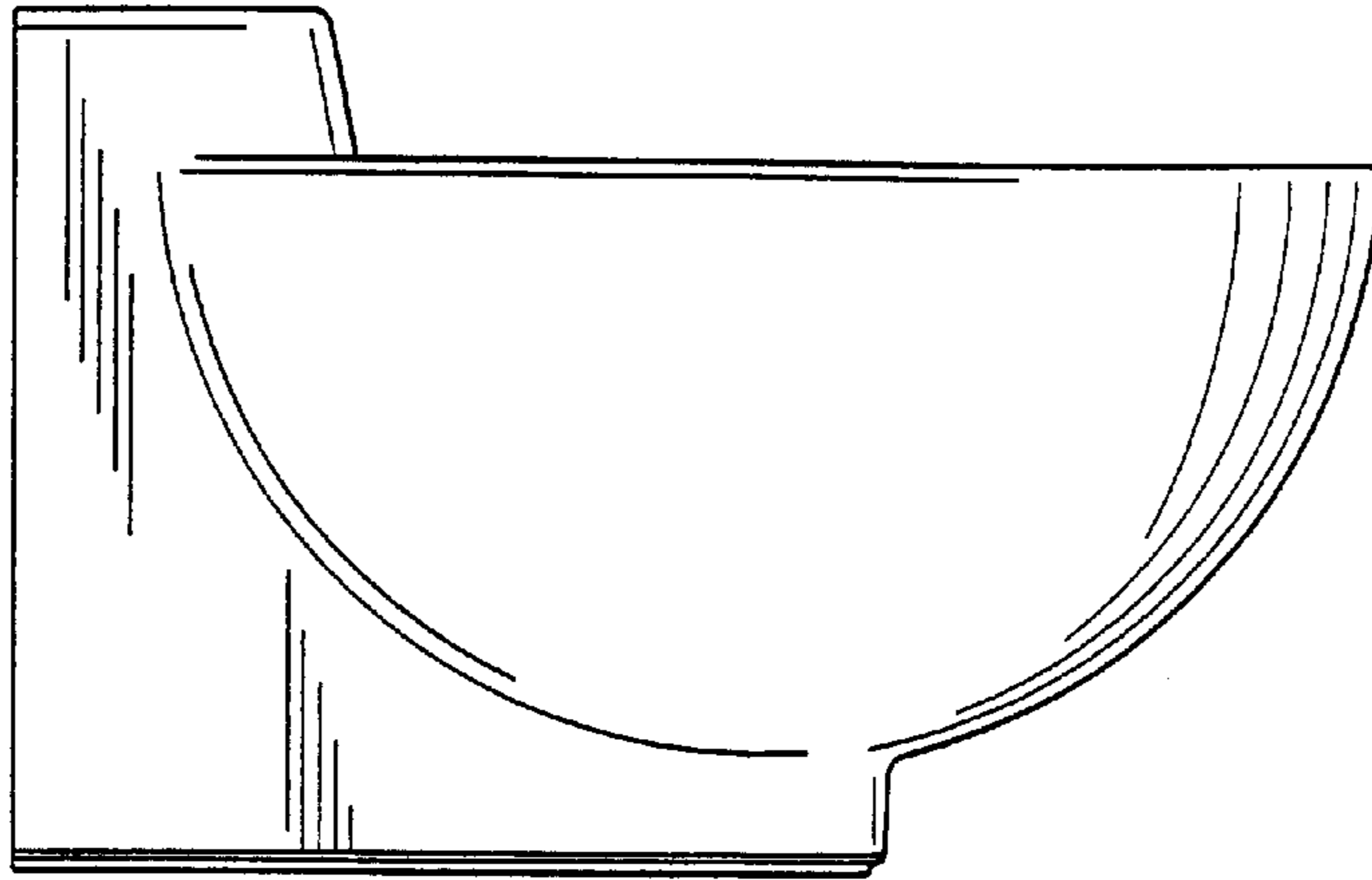


FIG. 1

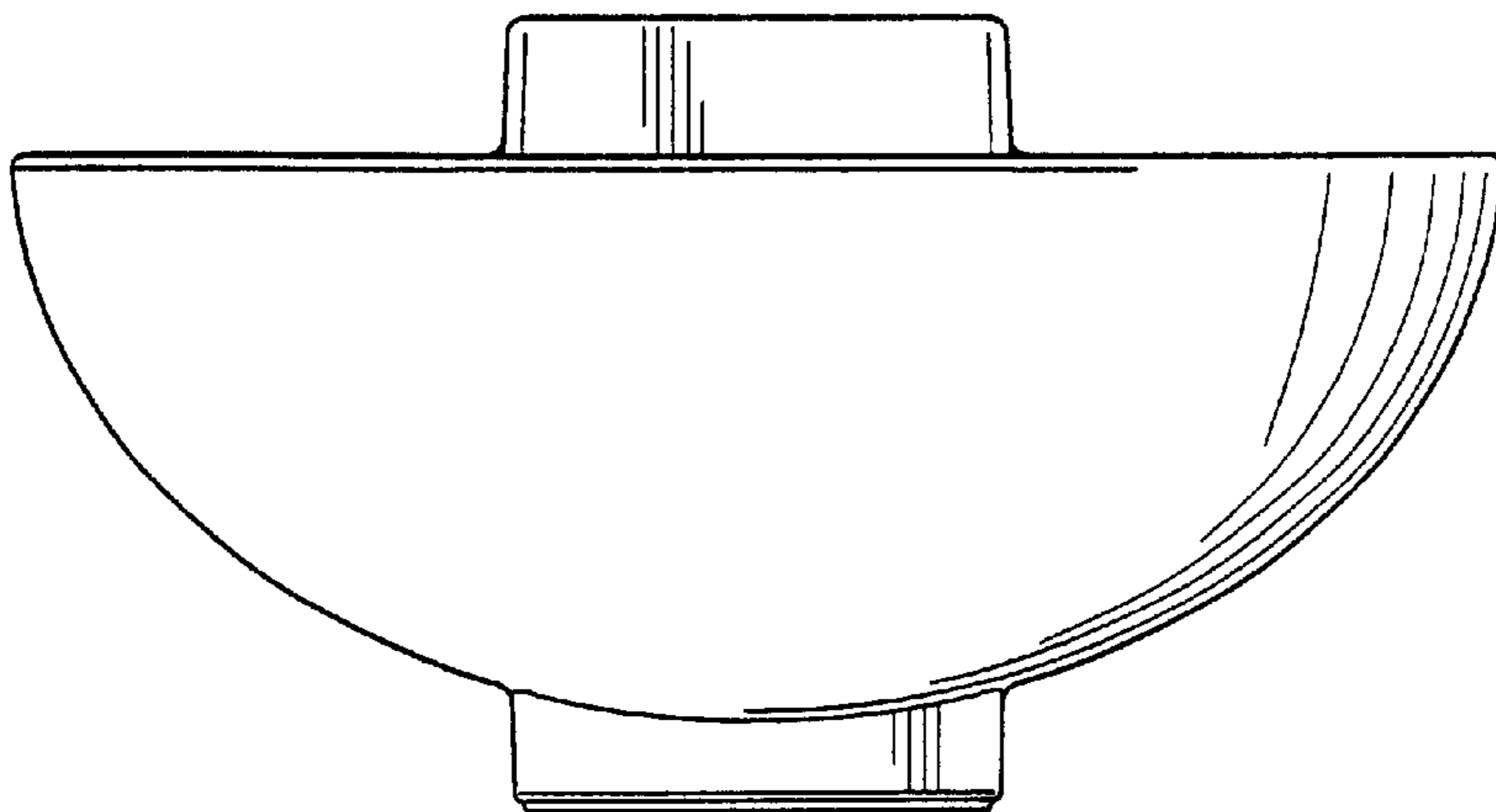


FIG. 2

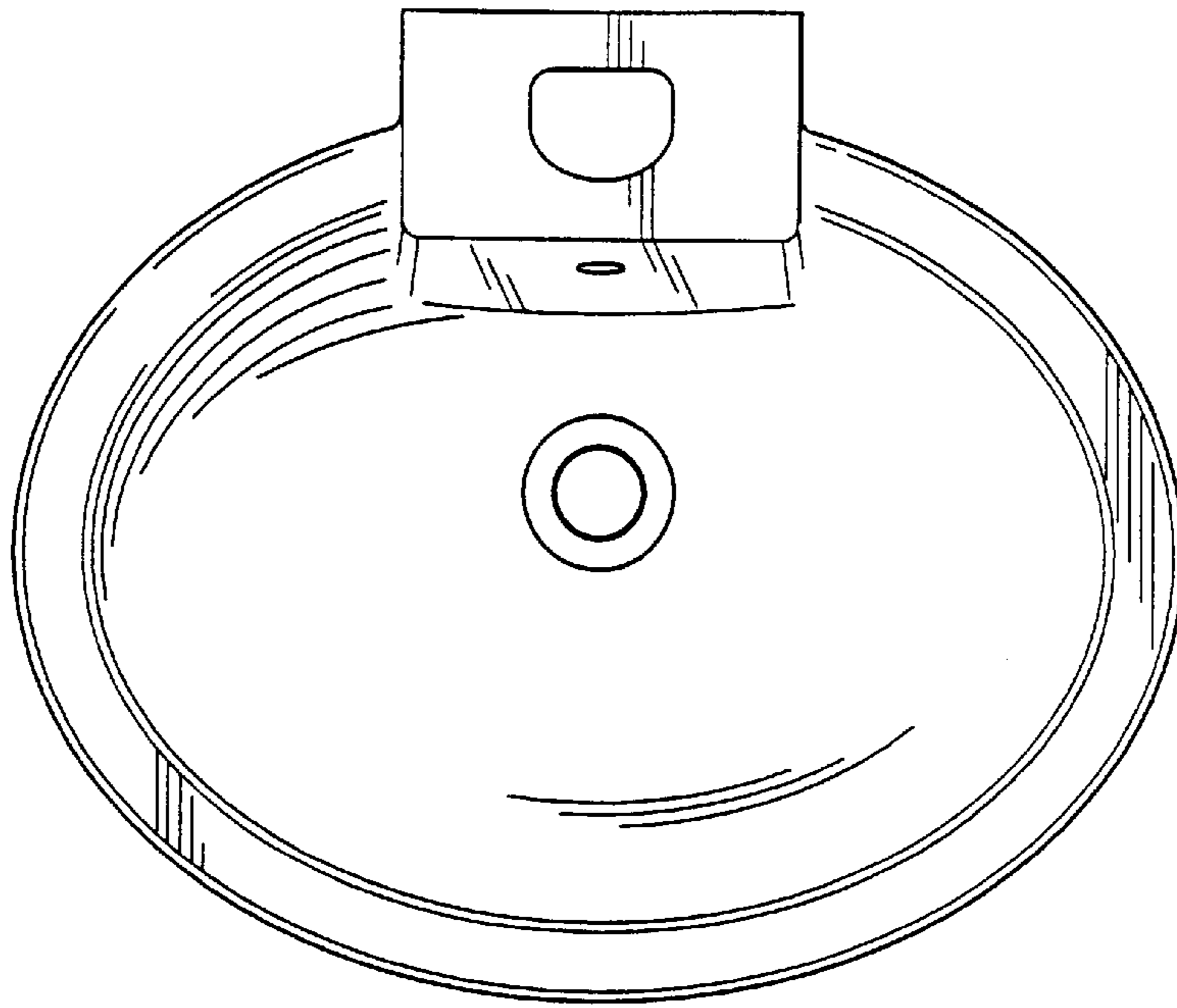


FIG. 3

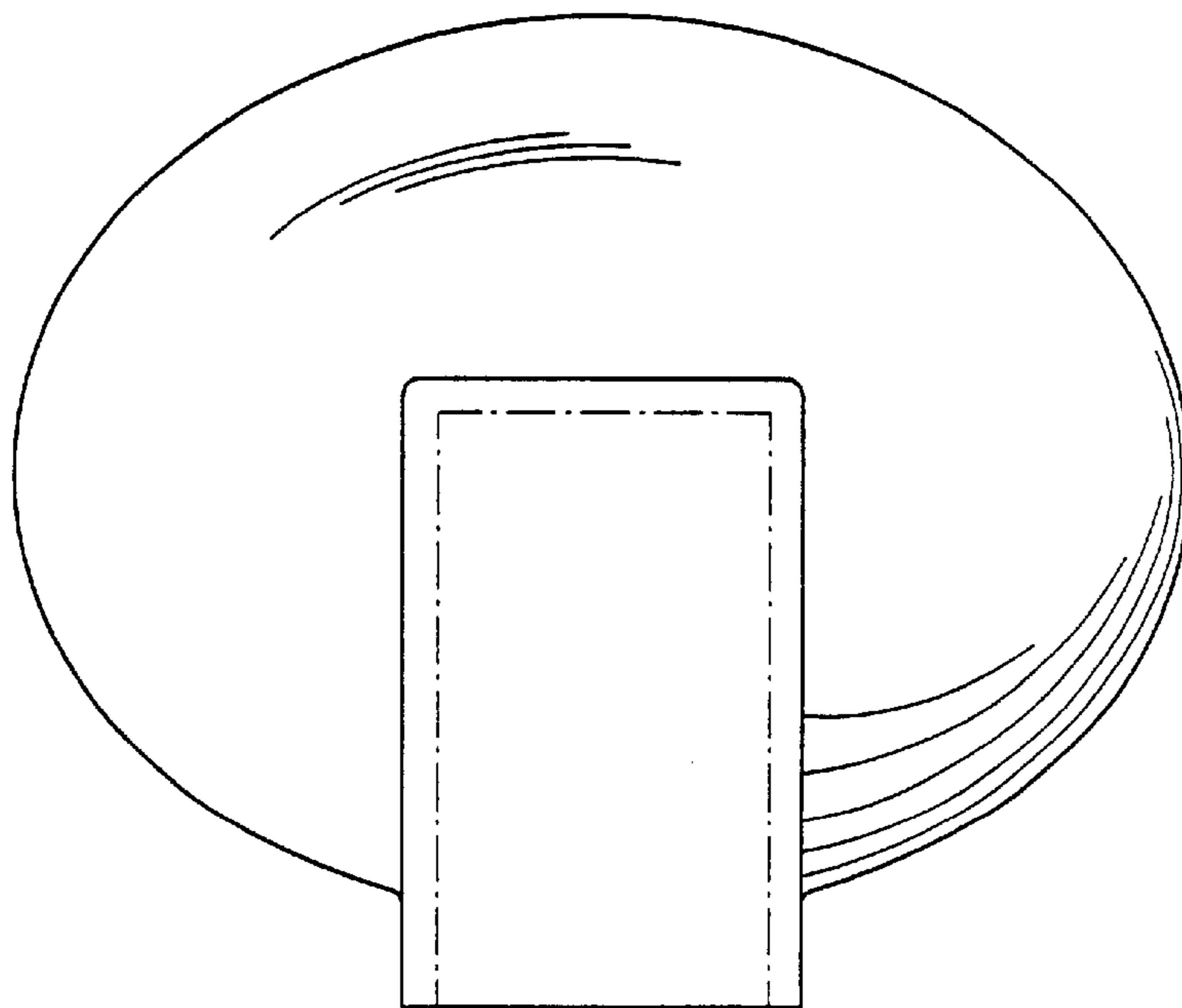


FIG. 4