

US00D463537S

(12) **United States Design Patent**
Kozu et al.

(10) **Patent No.:** **US D463,537 S**

(45) **Date of Patent:** **** Sep. 24, 2002**

(54) **PLUG OF PIPE COUPLING**

D435,635 S * 12/2000 Taneya D23/233
D442,267 S * 5/2001 Kouda D23/262

(75) Inventors: **Izumi Kozu**, Tokyo (JP); **Tomoko Someya**, Tokyo (JP)

* cited by examiner

(73) Assignee: **Nitto Kohki Co., Ltd.**, Tokyo (JP)

Primary Examiner—Robin V. Taylor
(74) *Attorney, Agent, or Firm*—Wenderoth, Lind & Ponack, L.L.P.

(**) Term: **14 Years**

(21) Appl. No.: **29/151,003**

(22) Filed: **Dec. 4, 2001**

(57) **CLAIM**

The ornamental design for a plug of pipe coupling, as shown and described.

(30) **Foreign Application Priority Data**

Jun. 8, 2001 (JP) 2001-016838

DESCRIPTION

(51) **LOC (7) Cl.** **23-01**

(52) **U.S. Cl.** **D23/262; D23/260; D23/233**

(58) **Field of Search** D23/233, 266,
D23/262; 285/34, 35, 275, 277; 251/149.1,
150

FIG. 1 is a perspective view of a plug of pipe coupling when seen from the top and left side of the front, showing my new design;

FIG. 2 is a front elevational view thereof;

FIG. 3 is a rear elevational view thereof;

FIG. 4 is a left side elevational view thereof;

FIG. 5 is a right side elevational view thereof;

FIG. 6 is a top plan view thereof;

FIG. 7 is a bottom plan view thereof; and,

FIG. 8 is a cross section taken across FIG. 6 along line VIII—VIII.

(56) **References Cited**

U.S. PATENT DOCUMENTS

D325,775 S * 4/1992 Hayes D23/262
D412,738 S * 8/1999 Kuwabara D23/233

1 Claim, 4 Drawing Sheets

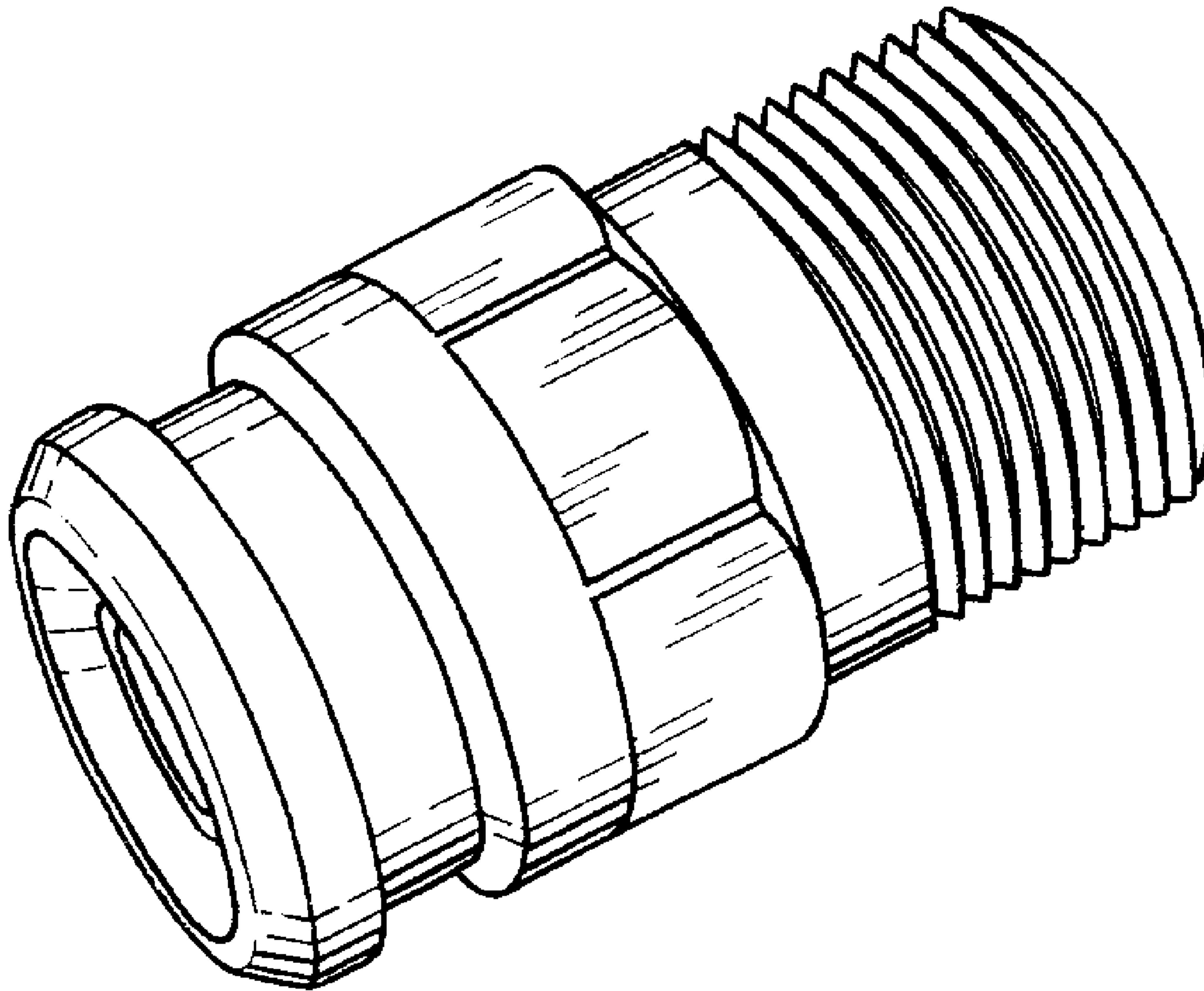


FIG. 1

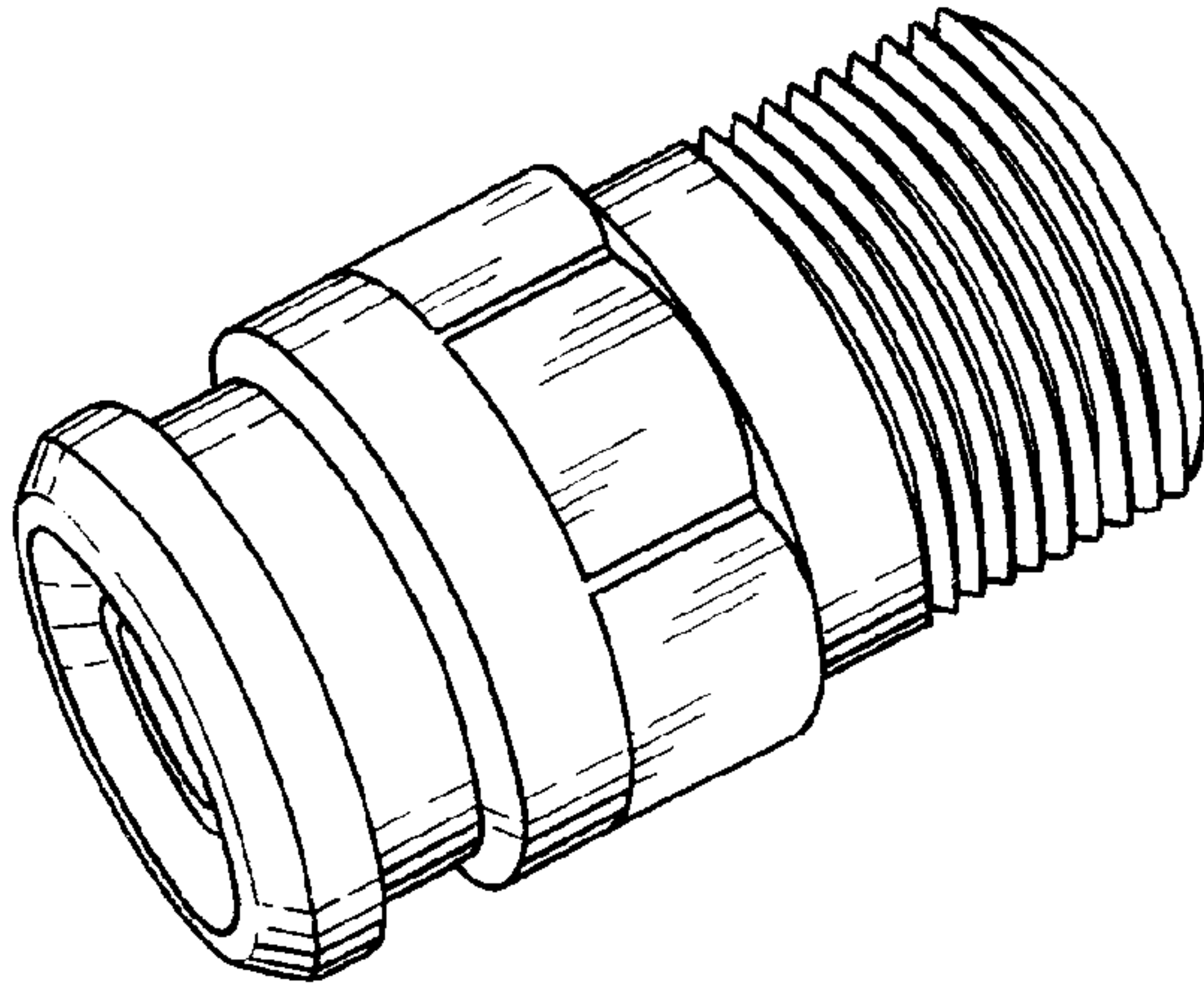


FIG. 2

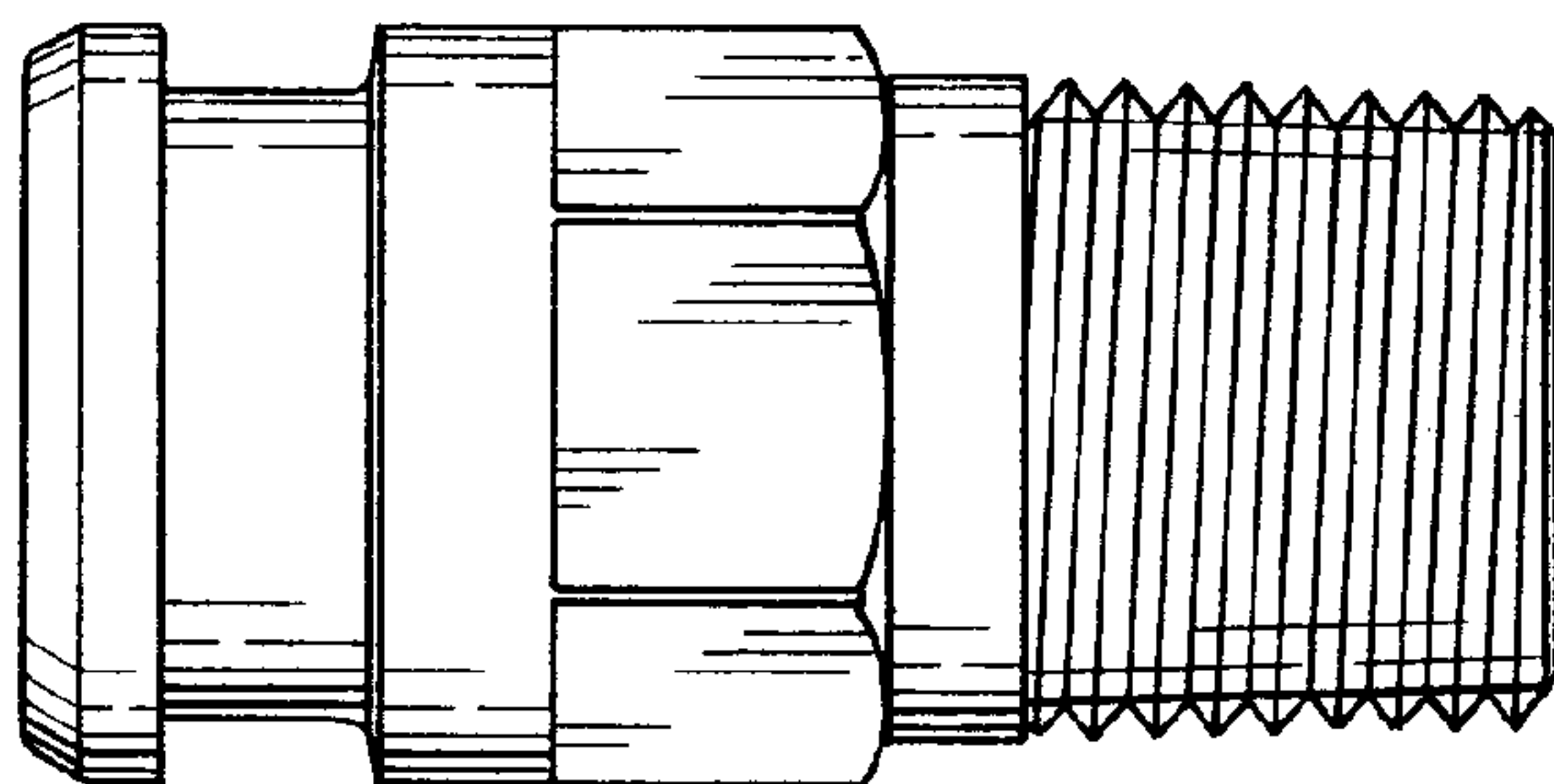


FIG. 3

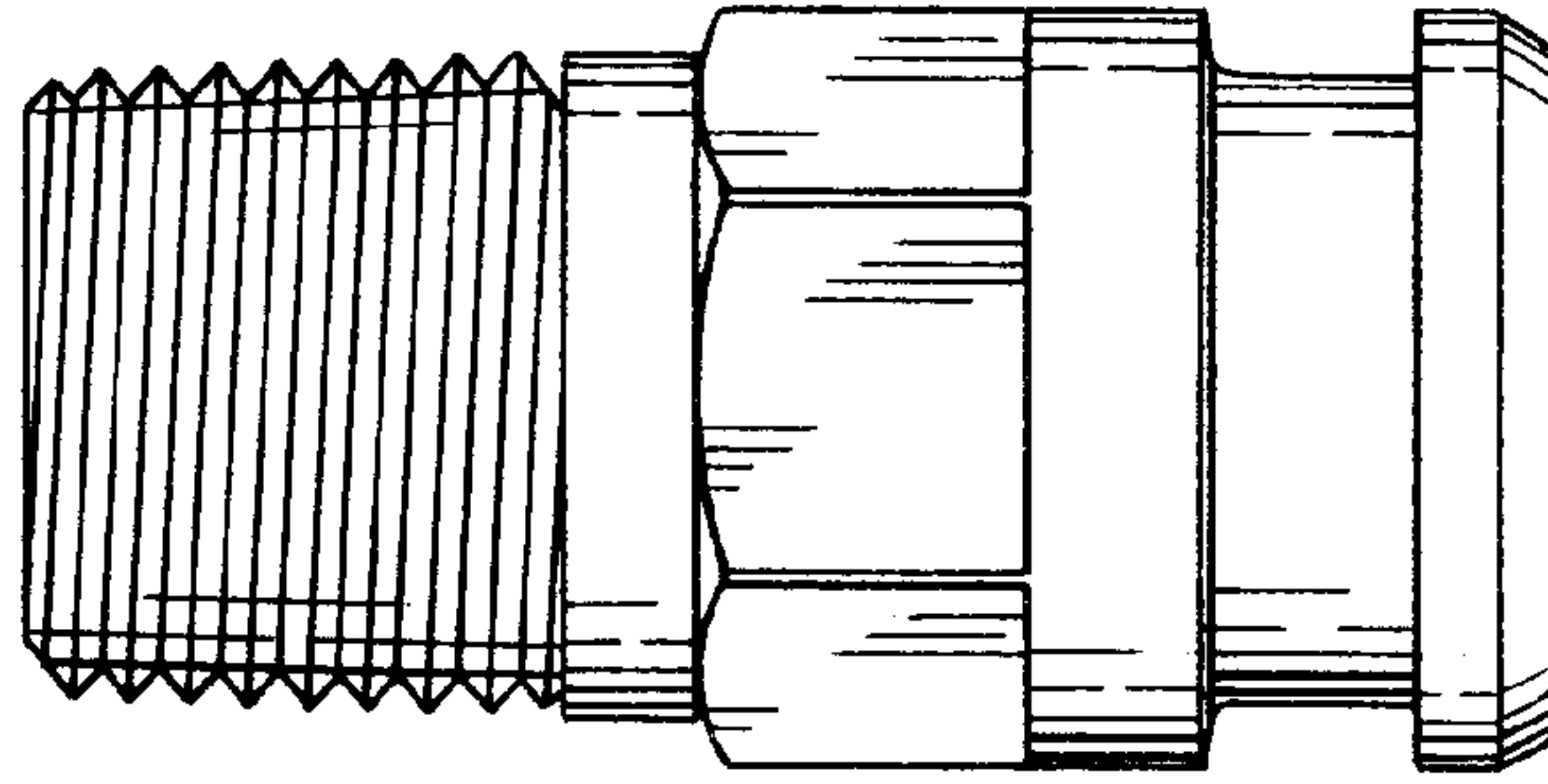


FIG. 4

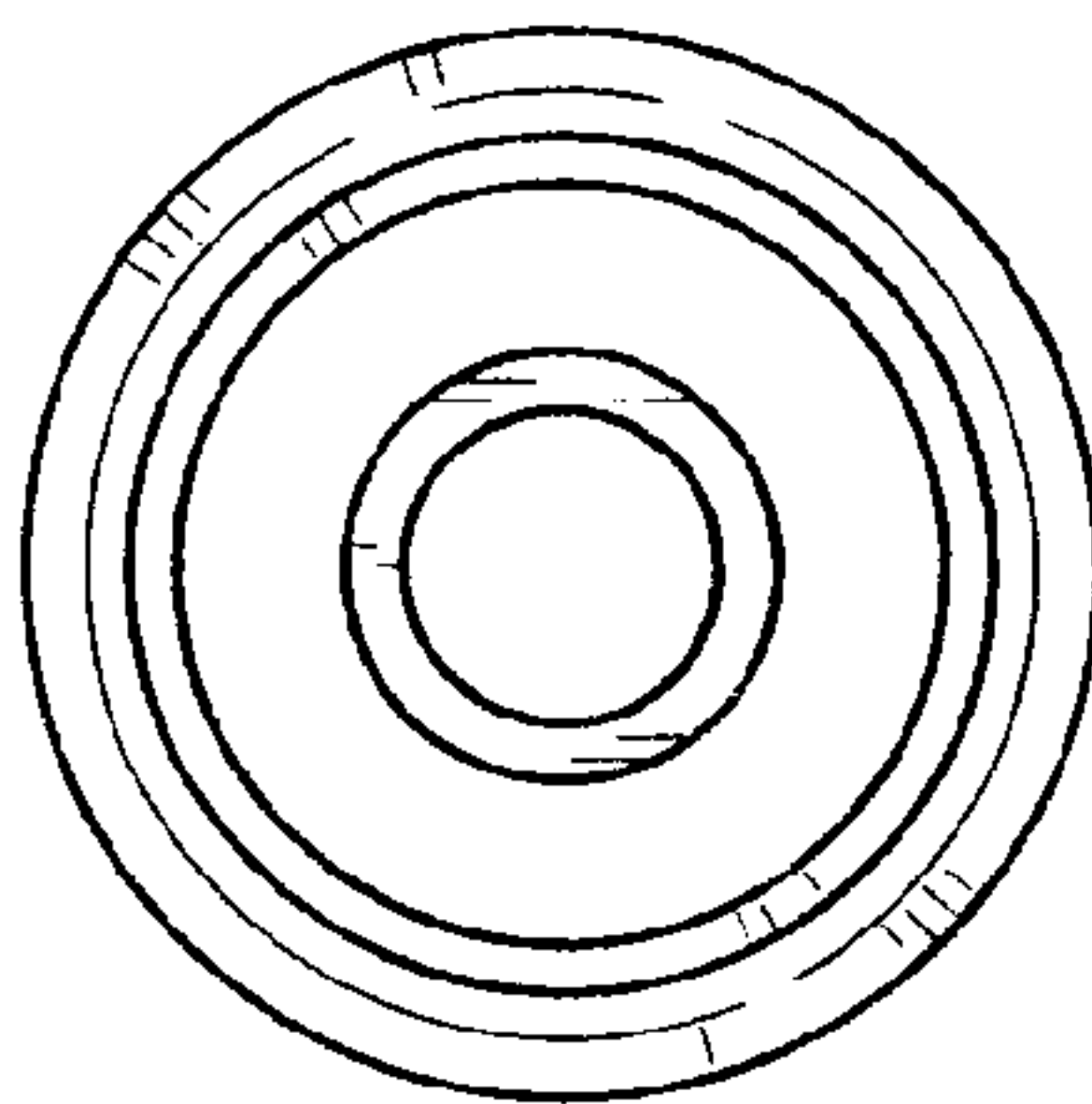


FIG. 5

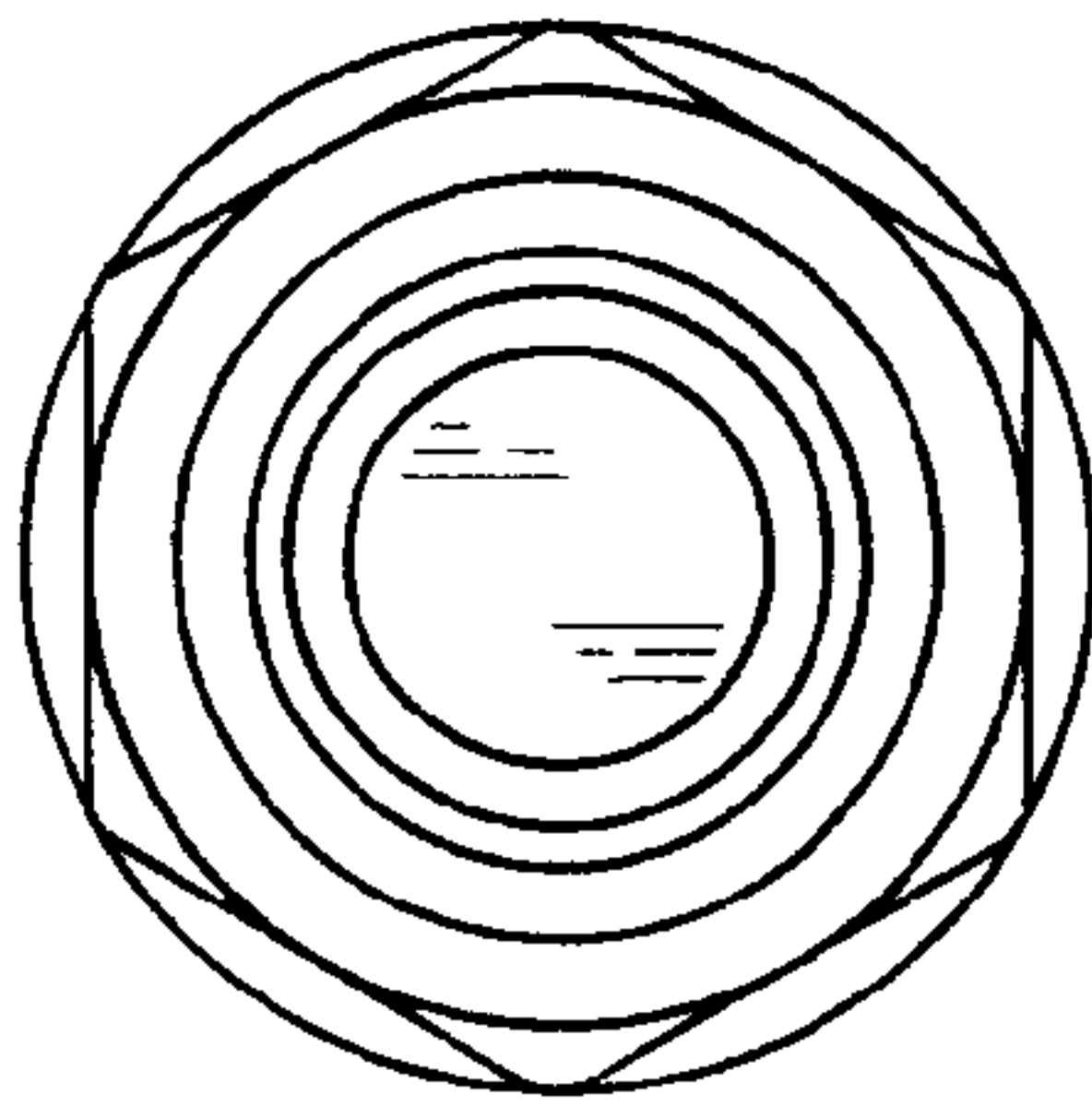


FIG. 6

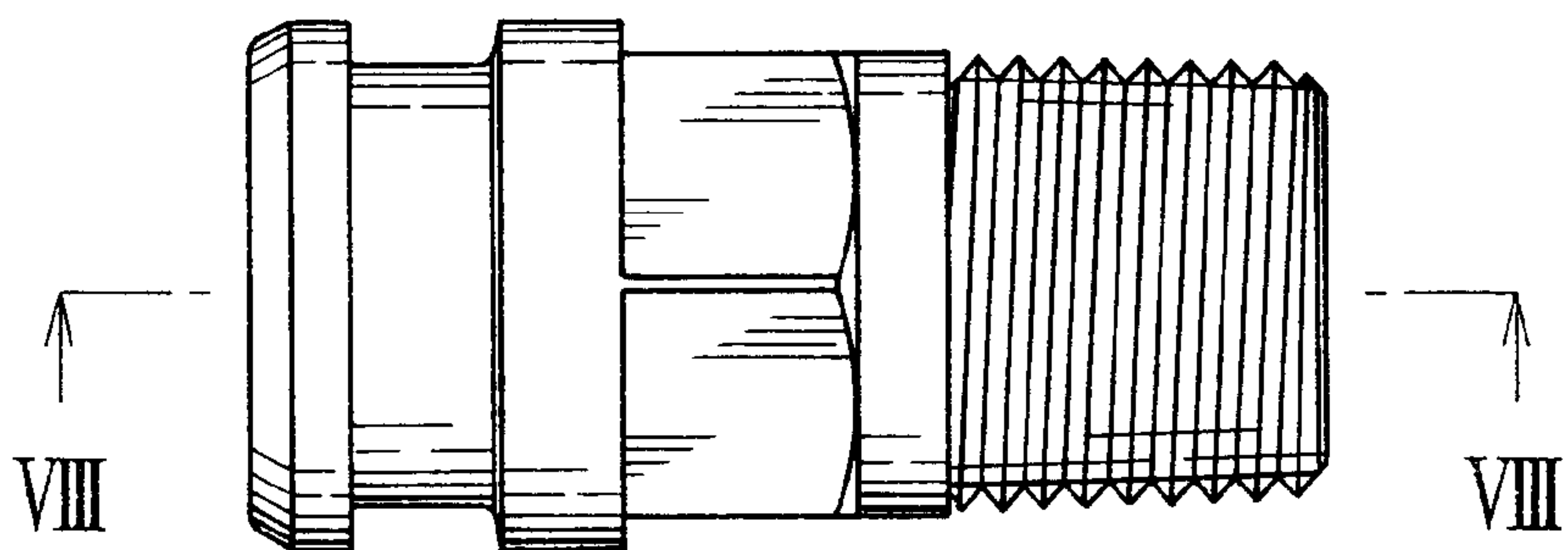


FIG. 7

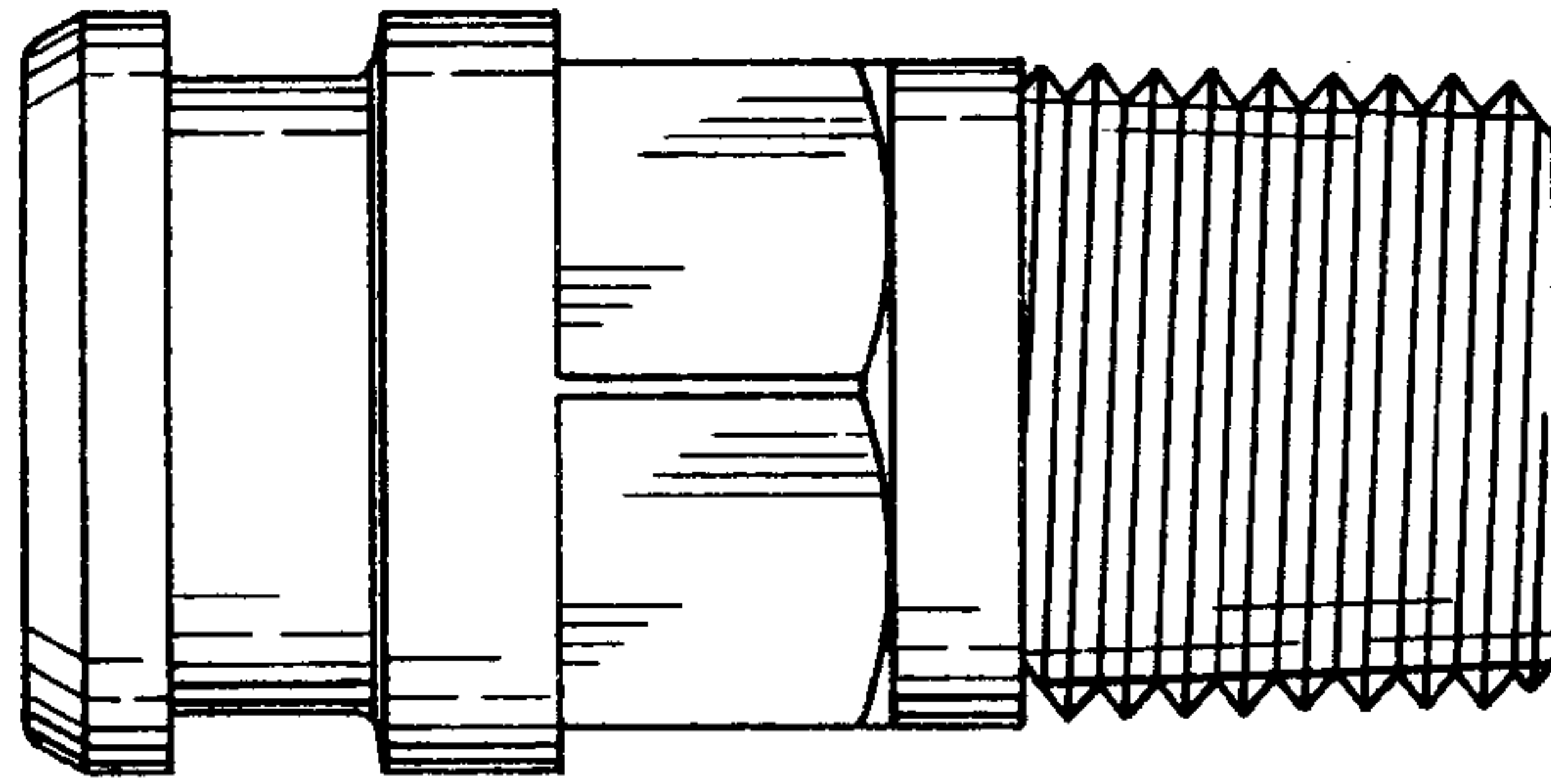


FIG. 8

