



US00D463536S

(12) **United States Design Patent** (10) **Patent No.:** **US D463,536 S**
Lord (45) **Date of Patent:** **** Sep. 24, 2002**

(54) **TUB SPOUT**

(75) Inventor: **Judd A. Lord**, Carmel, IN (US)

(73) Assignee: **Masco Corporation of Indiana**, Indianapolis, IN (US)

(**) Term: **14 Years**

(21) Appl. No.: **29/136,764**

(22) Filed: **Feb. 7, 2001**

(51) **LOC (7) Cl.** **23-01**

(52) **U.S. Cl.** **D23/257; D23/255**

(58) **Field of Search** **D23/238-257; 4/675-678; 16/110 R-121; 137/801**

(56) **References Cited**

U.S. PATENT DOCUMENTS

D261,027 S	*	9/1981	Klose	D23/255
D266,452 S	*	10/1982	Fleischmann et al.	D23/257
D296,235 S	*	6/1988	Schmitz	D23/257
D317,350 S	*	6/1991	Freed	D23/257
D339,412 S		9/1993	Hill et al.		
D344,575 S		2/1994	Hill et al.		
D346,645 S		5/1994	Hill et al.		
D353,877 S	*	12/1994	Rogers	D23/255
D365,143 S	*	12/1995	Fabian	D23/255
D366,100 S	*	1/1996	Doughty et al.	D23/255
D379,849 S		6/1997	Hill et al.		
D411,874 S	*	7/1999	Ko	D23/255
D442,265 S	*	5/2001	Marinov et al.	D23/255
D442,266 S	*	5/2001	Marinov et al.	D23/257

OTHER PUBLICATIONS

U.S. patent application Ser. No. 29/136,762 filed Feb. 7, 2001.

U.S. patent application Ser. No. 29/136,829 filed Feb. 7, 2001.

U.S. patent application Ser. No. 29/136,835 filed Feb. 7, 2001.

* cited by examiner

Primary Examiner—Louis S. Zarfes

Assistant Examiner—Gregory Andoll

(74) *Attorney, Agent, or Firm*—Myron B. Kapustij; Lloyd D. Doigan

(57) **CLAIM**

The ornamental design for a tub spout, as shown and described.

DESCRIPTION

FIG. 1 is a top front perspective view of the tub spout showing my new design;

FIG. 2 is a top rear perspective view thereof;

FIG. 3 is a left side elevational view thereof, the right side being a mirror image;

FIG. 4 is a top plan view thereof;

FIG. 5 is a rear elevational view thereof;

FIG. 6 is a front elevational view thereof; and,

FIG. 7 is a bottom plan view thereof.

1 Claim, 6 Drawing Sheets



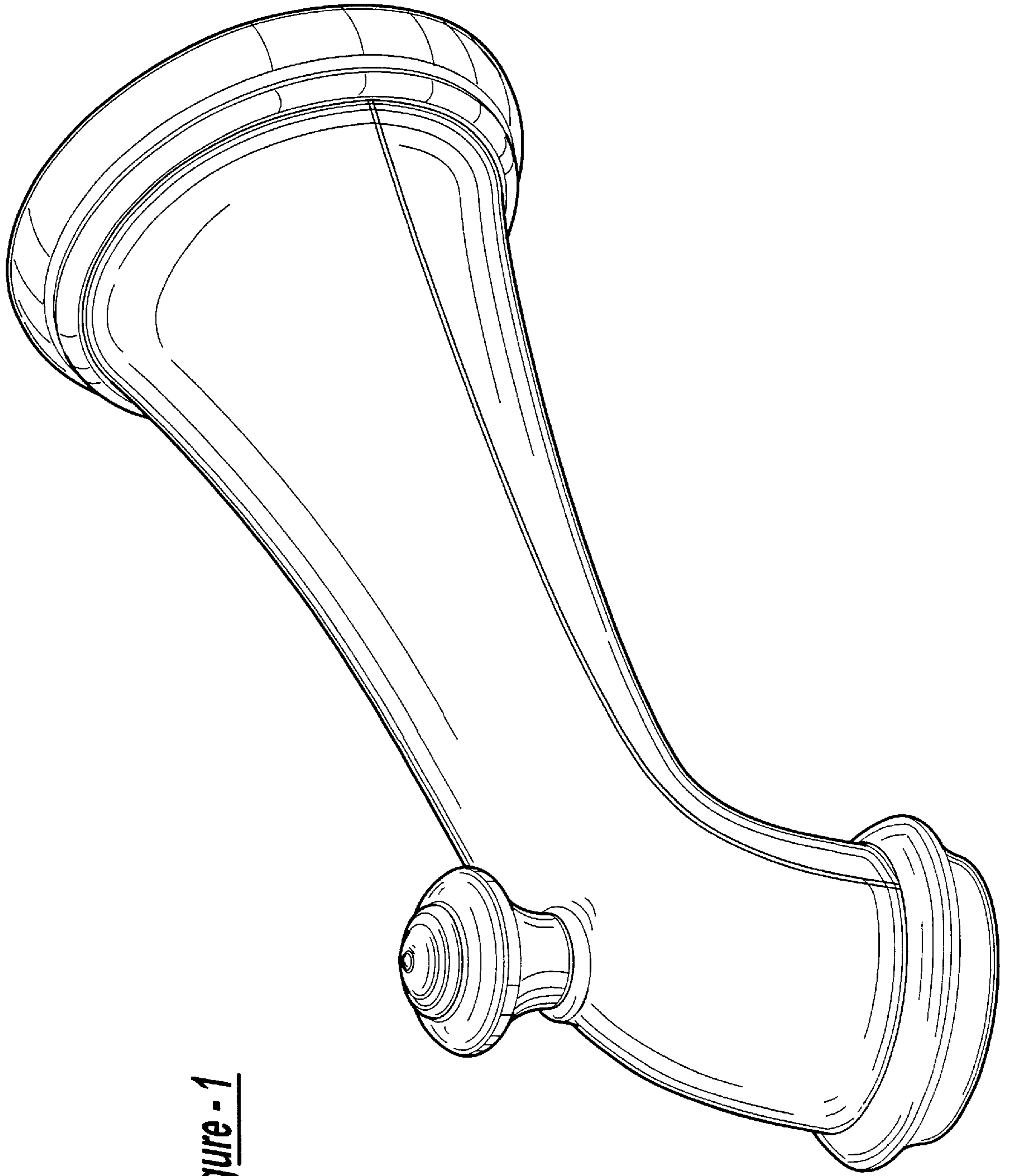


Figure - 1

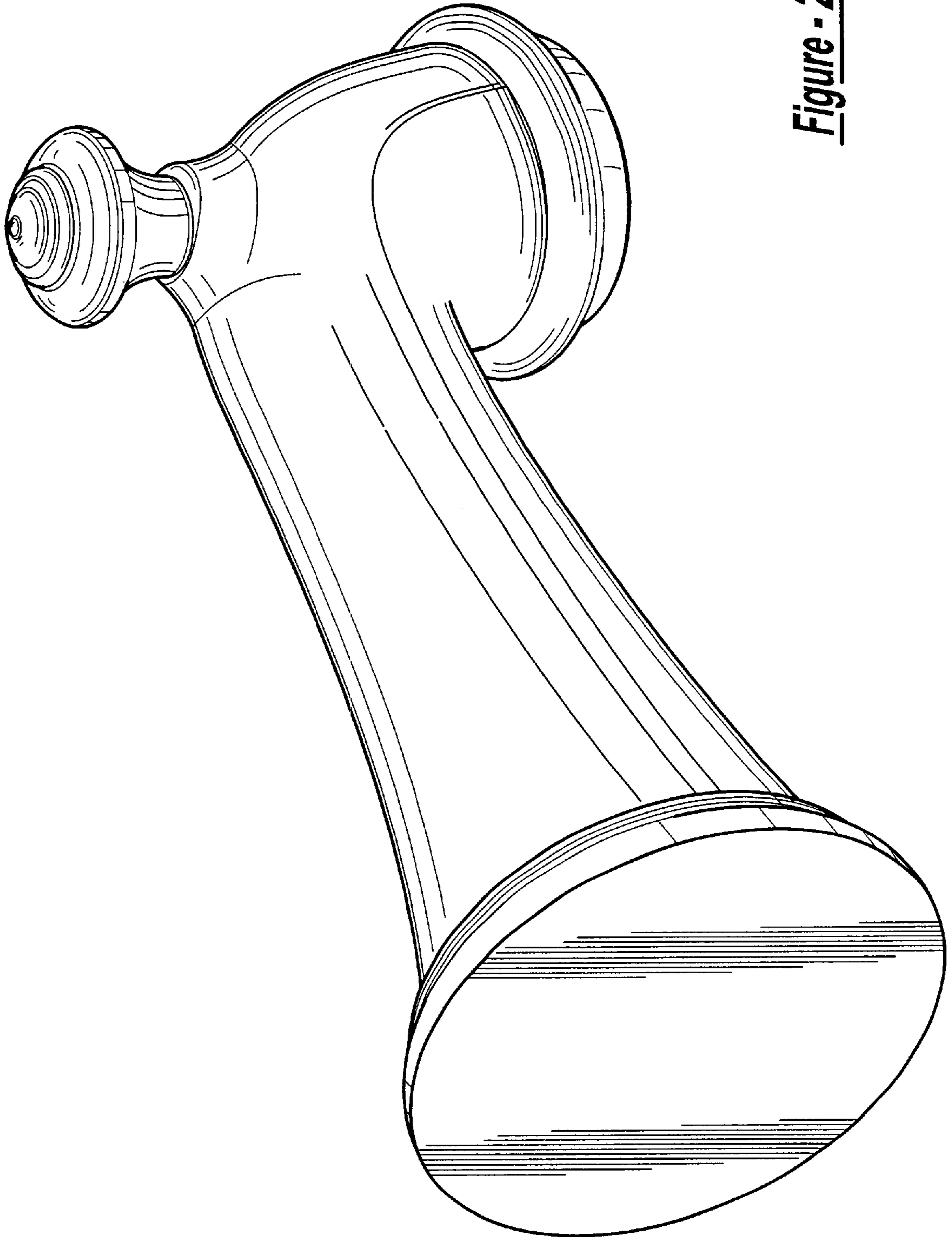


Figure - 2

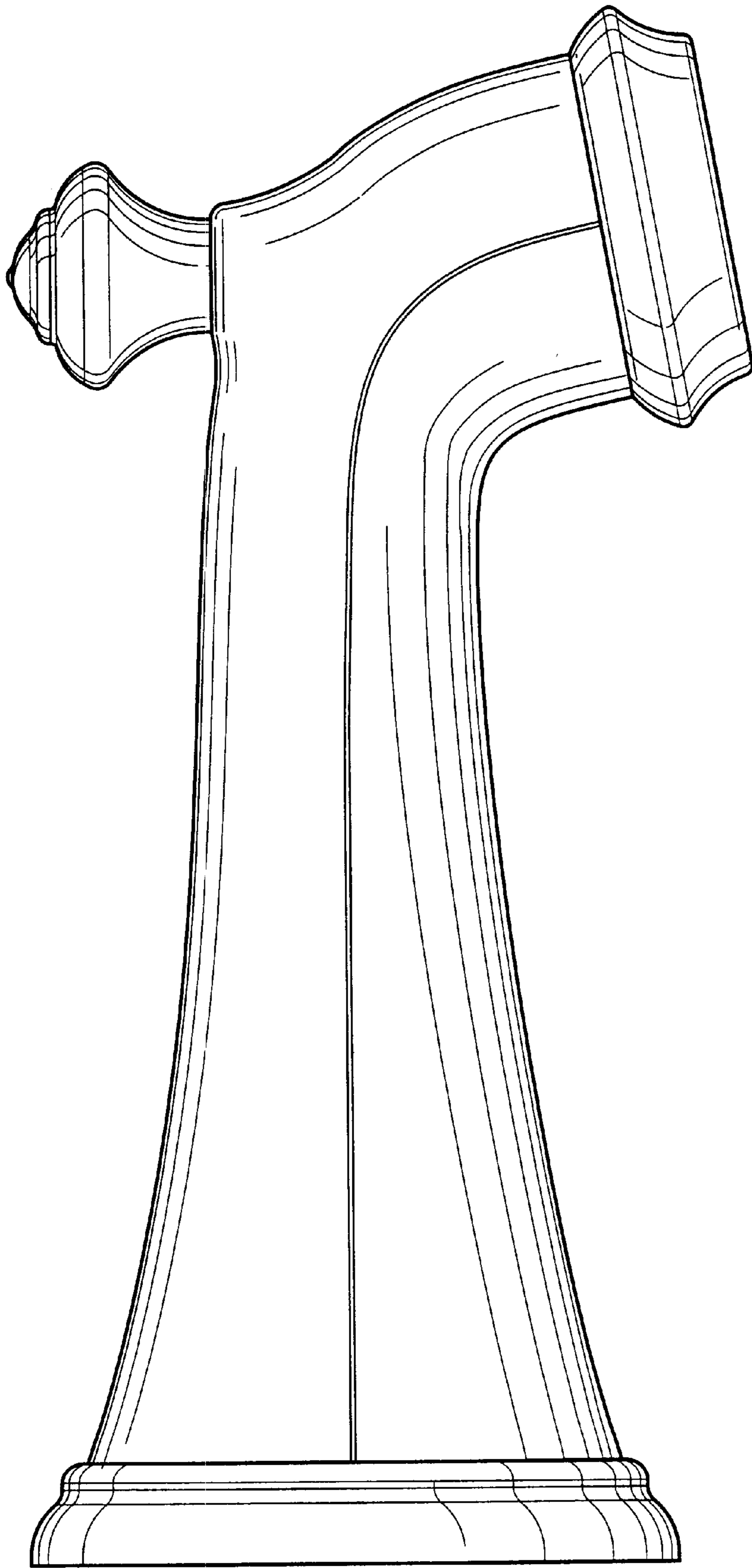


Figure - 3



Figure - 4

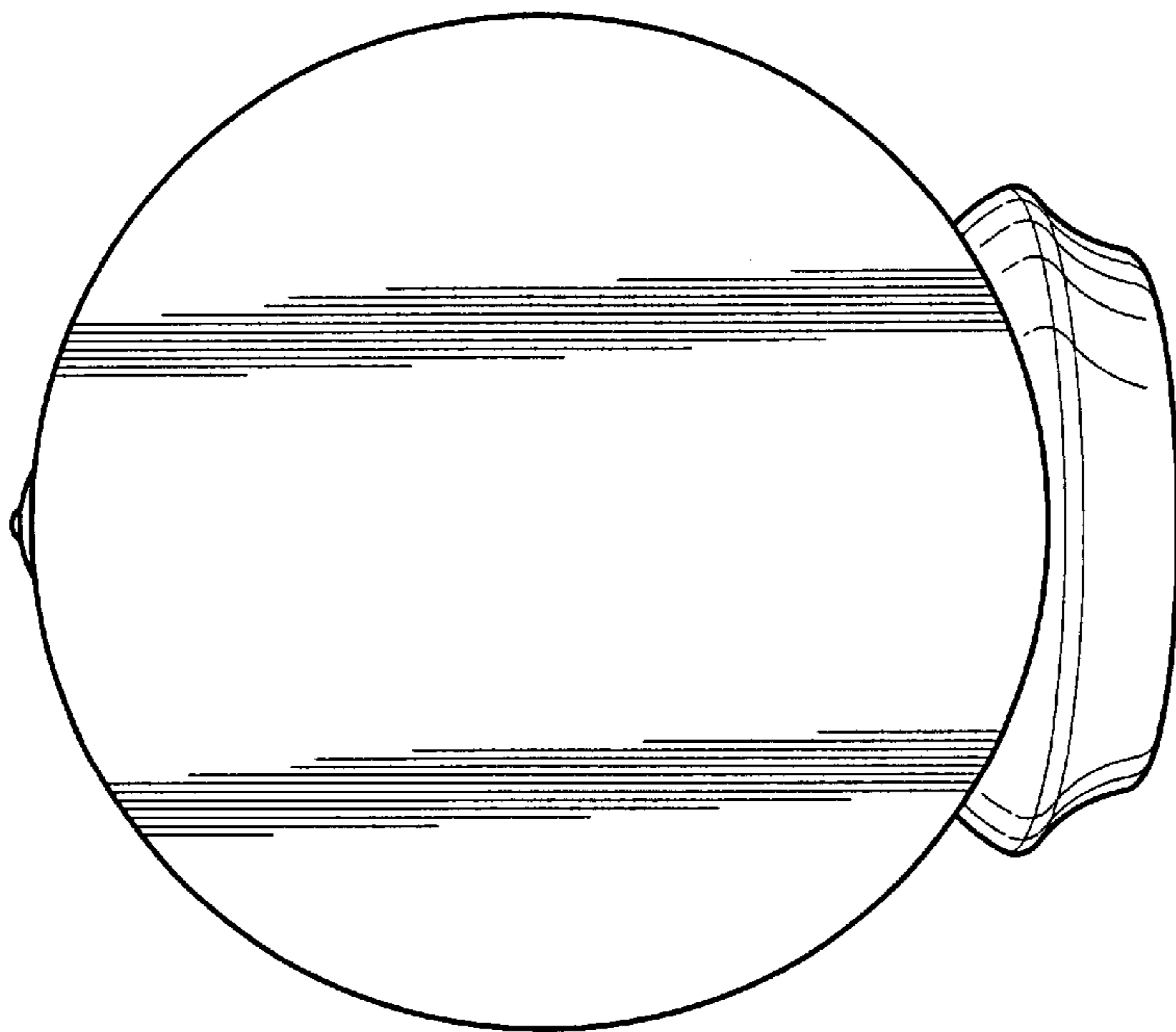


Figure - 5

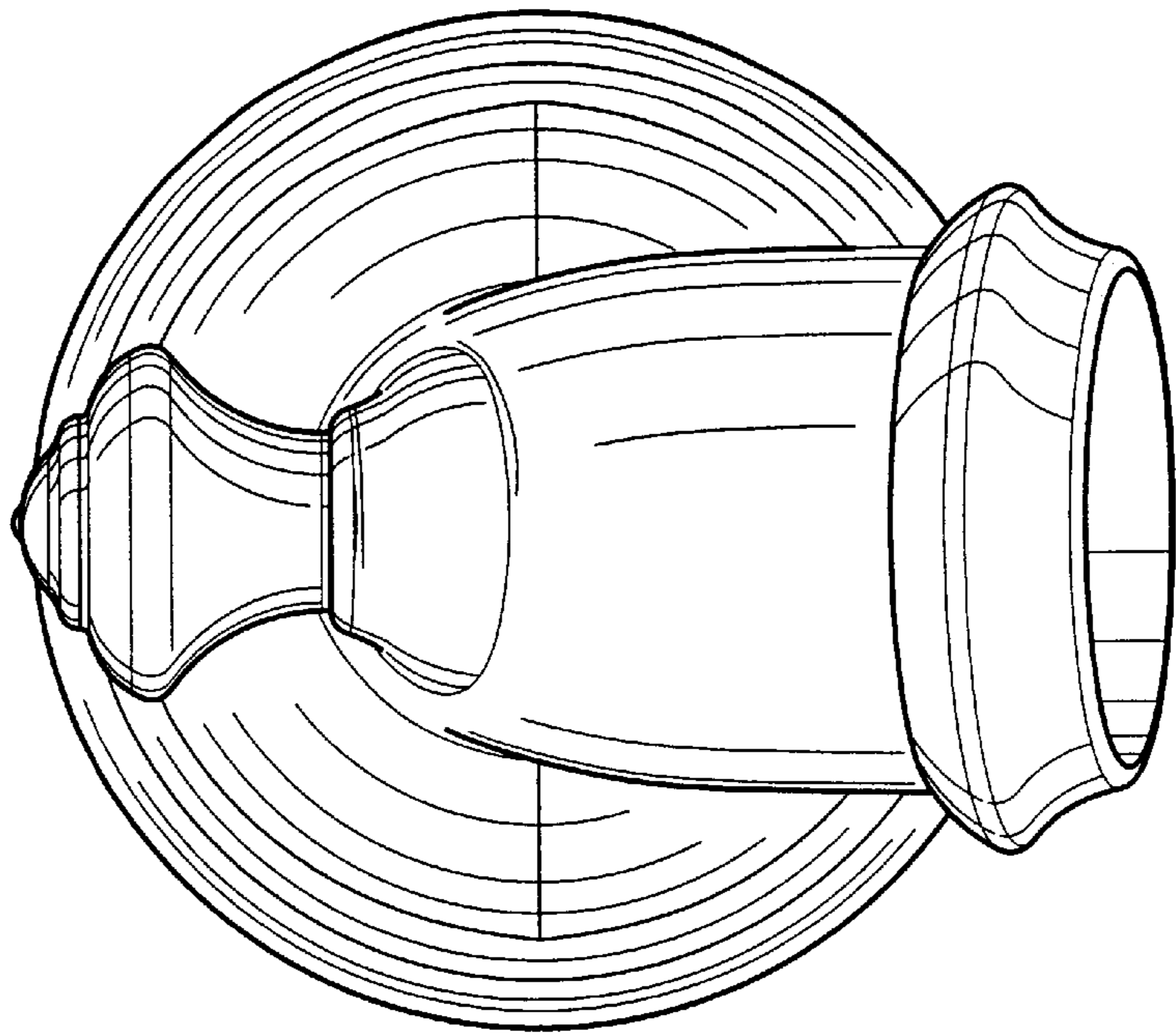


Figure - 6

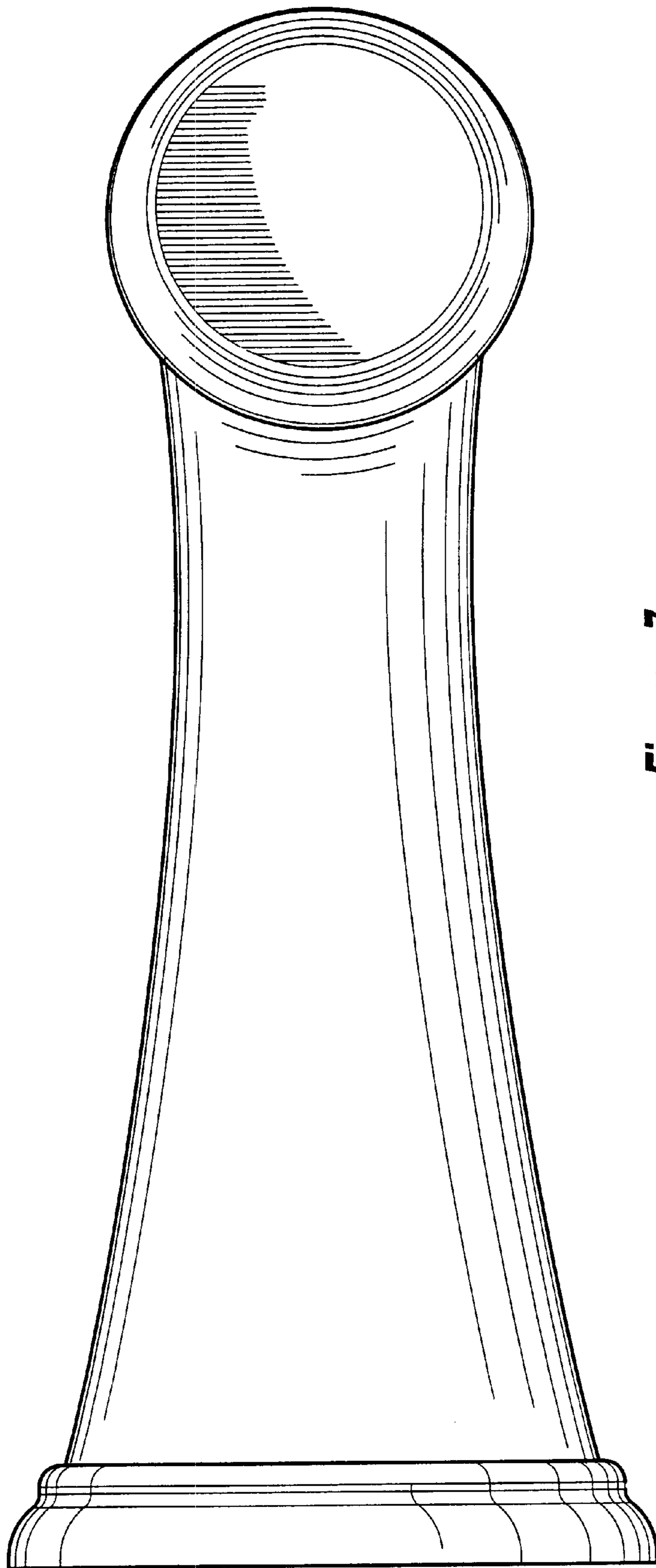


Figure - 7