



US00D463532S

(12) **United States Design Patent**  
**Piano**

(10) **Patent No.:** **US D463,532 S**

(45) **Date of Patent:** **\*\* Sep. 24, 2002**

(54) **FAUCET**

(75) **Inventor:** **Matteo Piano, Genoa (IT)**

(73) **Assignee:** **American Standard International Inc., New York, NY (US)**

(\*\*) **Term:** **14 Years**

(21) **Appl. No.:** **29/138,766**

(22) **Filed:** **Mar. 20, 2001**

(30) **Foreign Application Priority Data**

Sep. 29, 2000 (IT) ..... RE0000012

(51) **LOC (7) Cl.** ..... **23-01**

(52) **U.S. Cl.** ..... **D23/241; D23/255; D23/257**

(58) **Field of Search** ..... **D23/238-257;**  
**4/675-678; 16/110 R-121; D8/300-308,**  
**352; 137/625.17**

(56) **References Cited**

**U.S. PATENT DOCUMENTS**

3,035,612 A \* 5/1962 Lyon ..... 137/625.17  
D241,097 S \* 8/1976 Morris ..... D23/255

D285,597 S \* 9/1986 Miler et al. .... D23/242  
D301,605 S \* 6/1989 Jans ..... D23/255  
D406,880 S \* 3/1999 Doughty et al. .... D23/255  
D419,223 S \* 1/2000 Meda ..... D23/255  
D431,072 S \* 9/2000 Milrud et al. .... D23/255  
D453,899 S \* 2/2002 La Plume et al. .... D8/352

\* cited by examiner

*Primary Examiner*—Louis S. Zarfes  
*Assistant Examiner*—Gregory Andoll

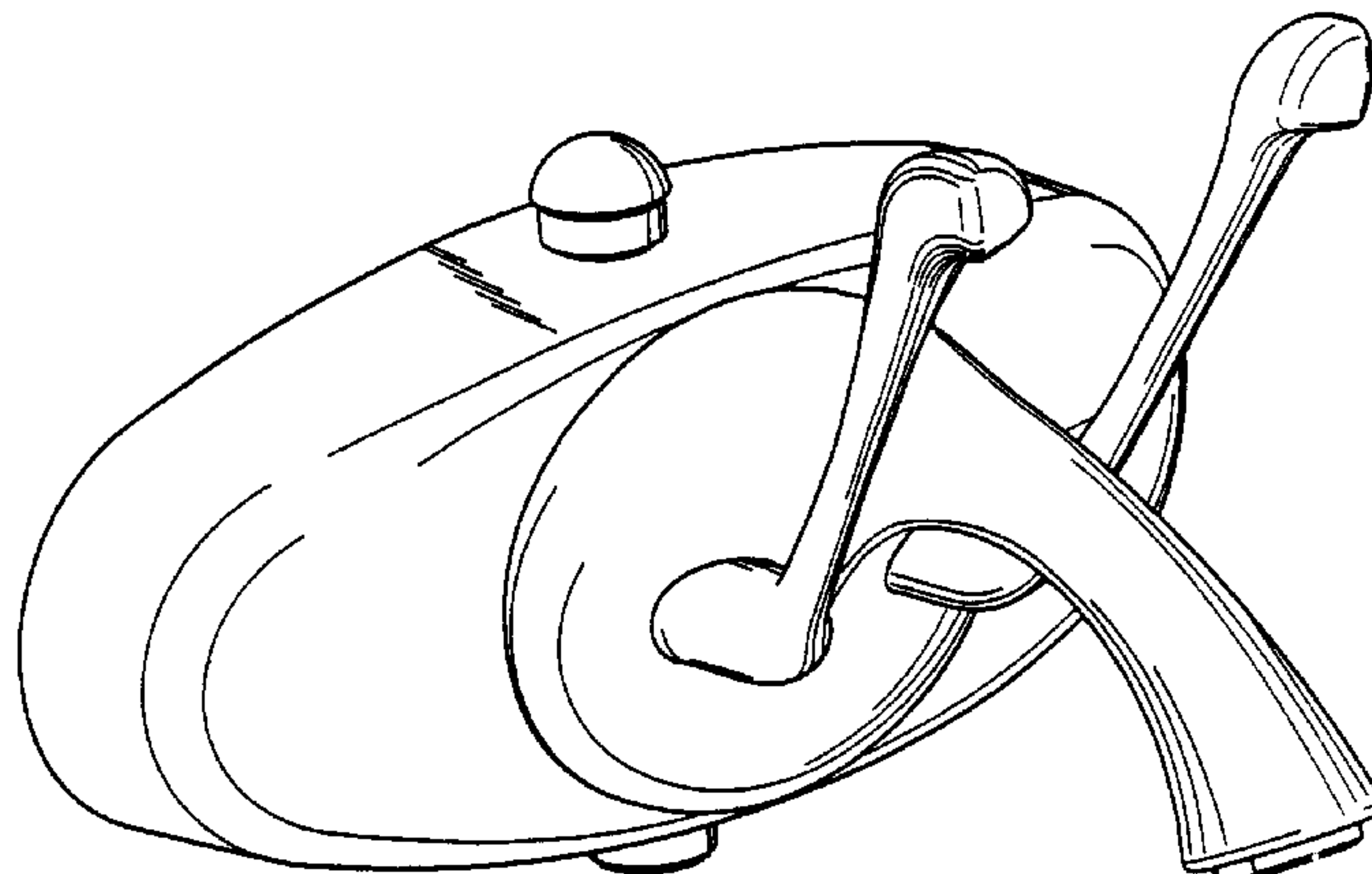
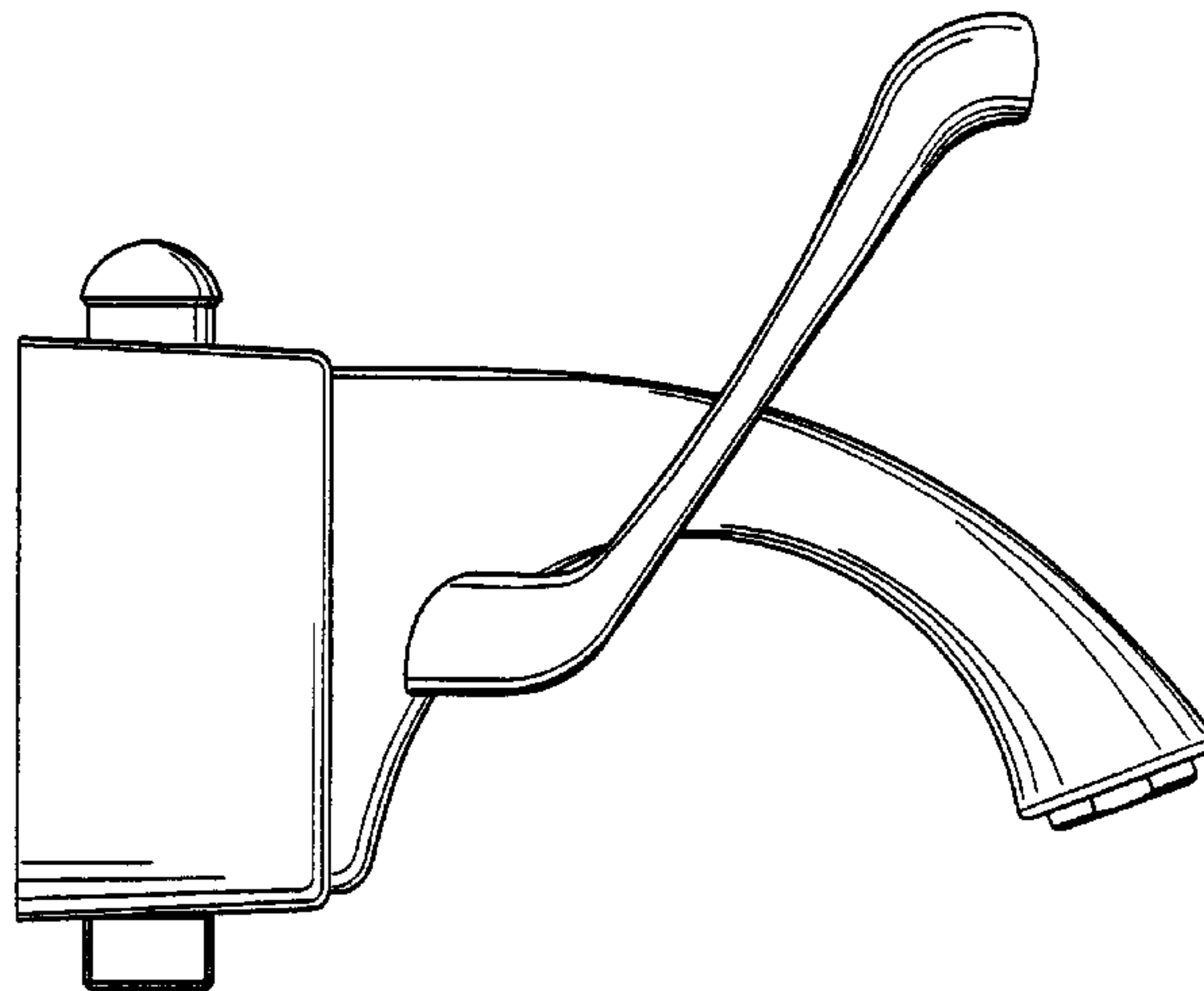
(57) **CLAIM**

The ornamental design for a faucet, as shown and described.

**DESCRIPTION**

FIG. 1 is a side elevational view of a faucet showing our new design;  
FIG. 2 is a front elevational view;  
FIG. 3 is a top plan view;  
FIG. 4 is a rear elevational view;  
FIG. 5 is a bottom plan view; and,  
FIG. 6 is a perspective view.  
The broken lines in the FIG. 4 are for illustrative purposes only and form no part of the claimed design.

**1 Claim, 3 Drawing Sheets**



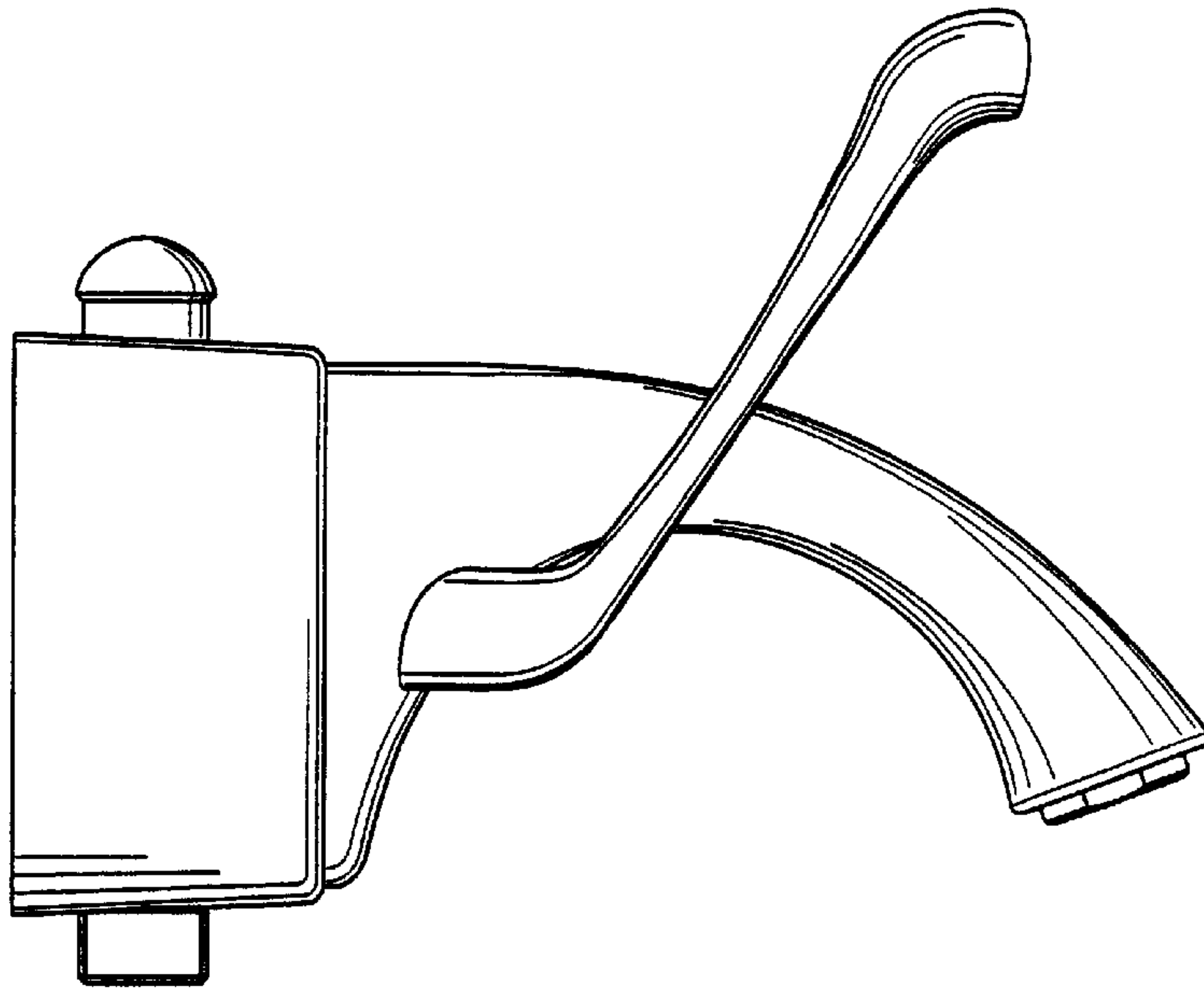


FIG. 1

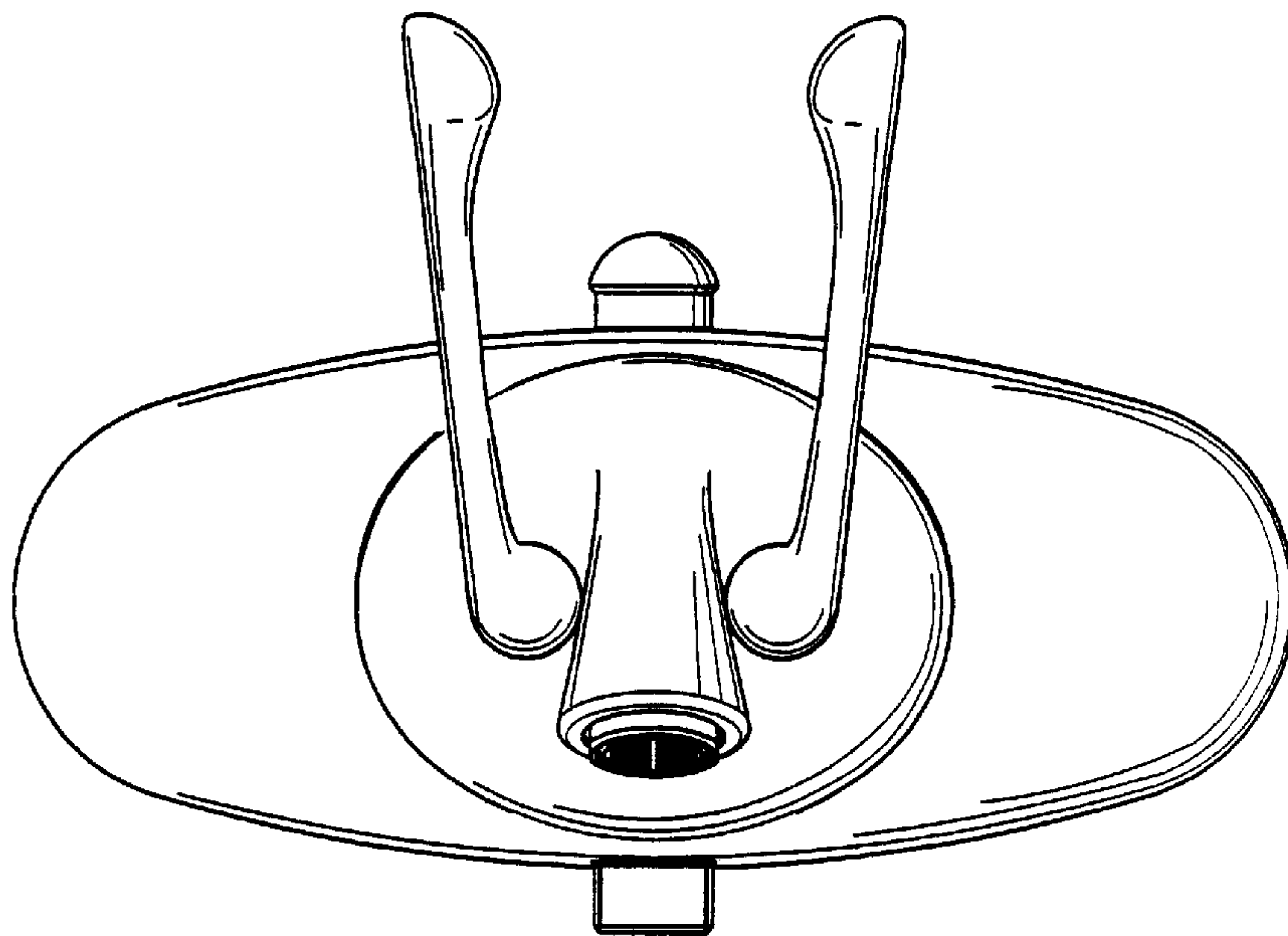


FIG. 2

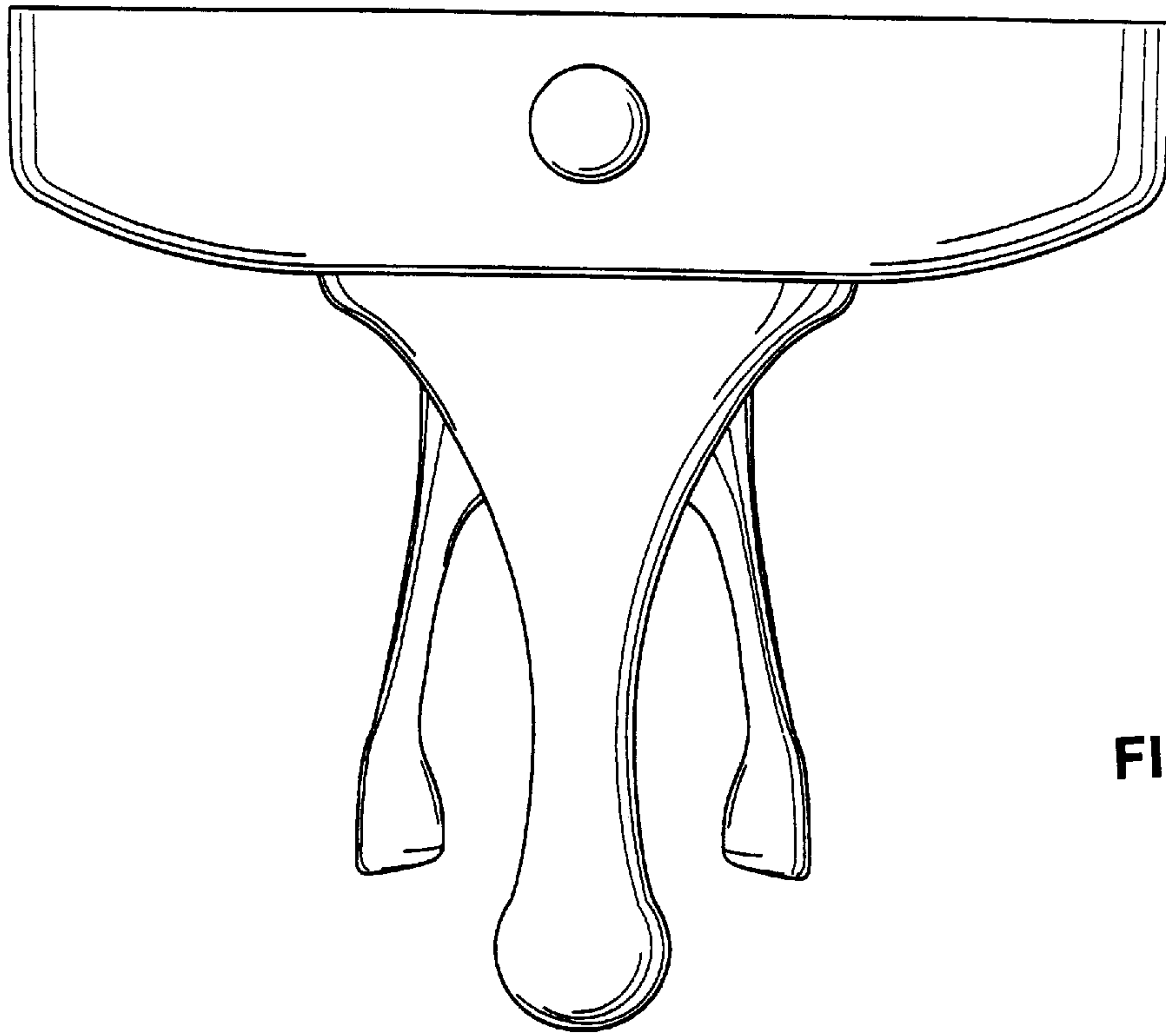


FIG. 3

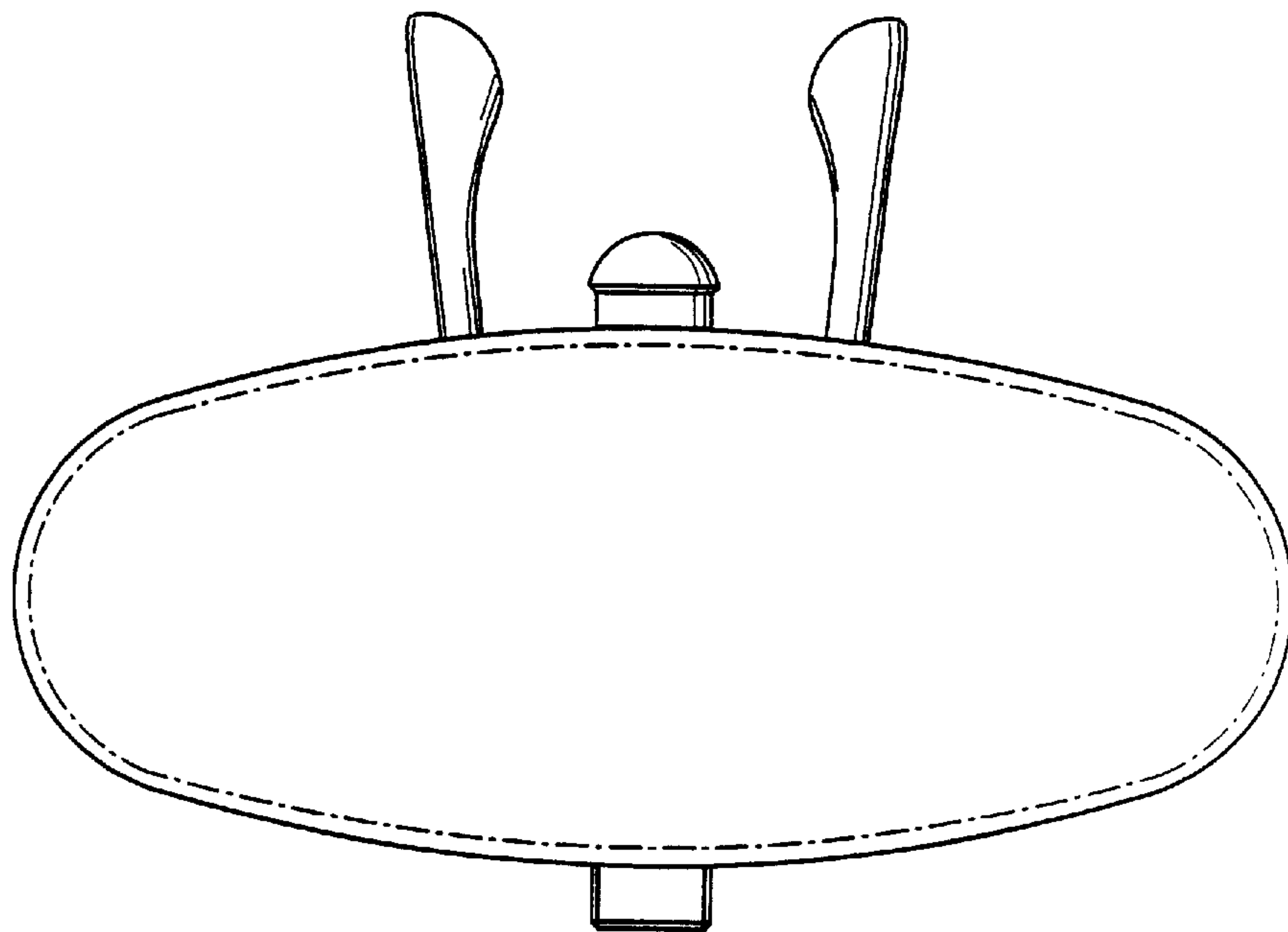


FIG. 4

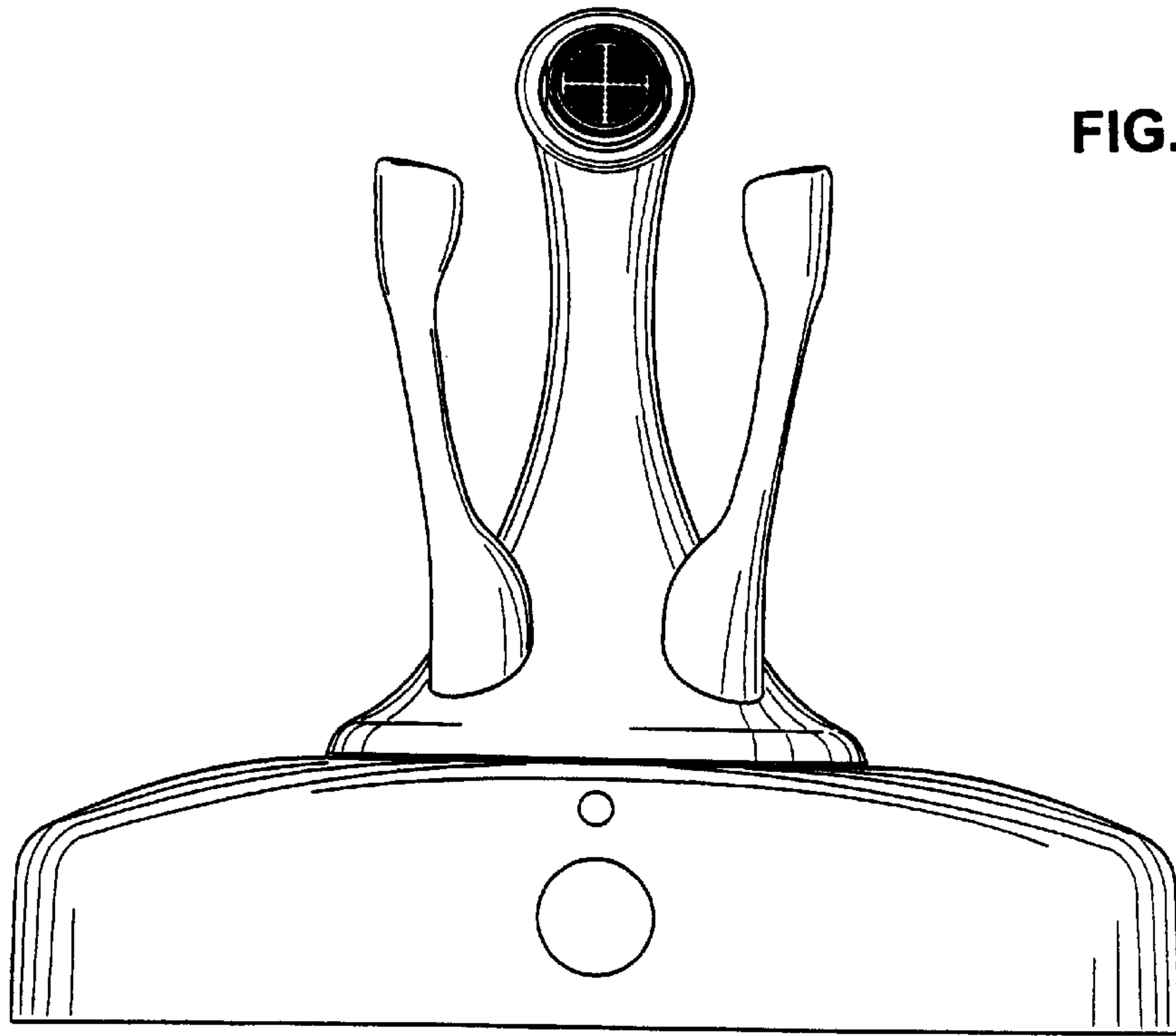


FIG. 5

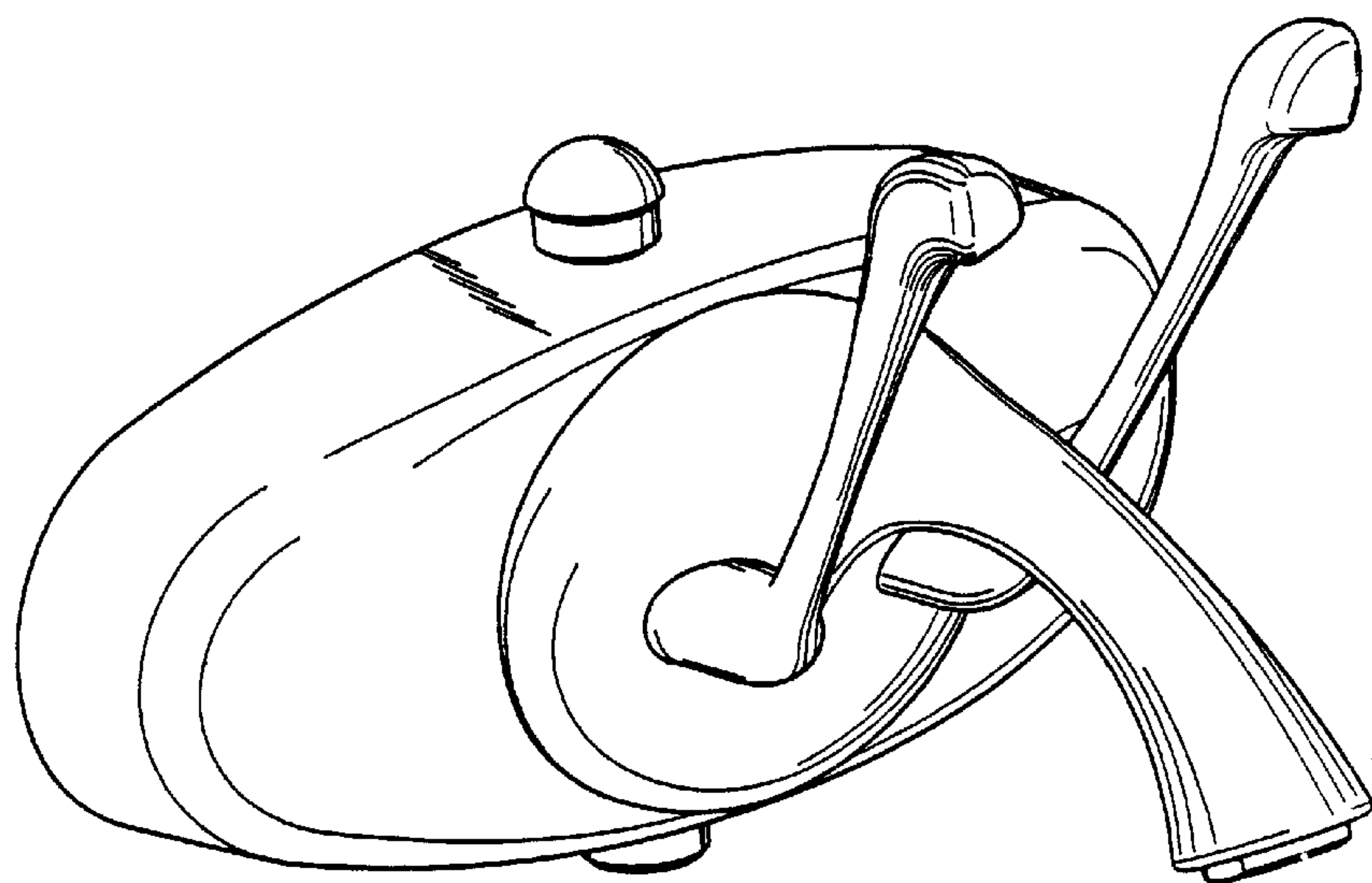


FIG. 6