



US00D463531S

(12) **United States Design Patent**  
**Gottwald**

(10) **Patent No.:** **US D463,531 S**

(45) **Date of Patent:** **\*\* Sep. 24, 2002**

(54) **SINK FAUCET**

(75) **Inventor:** **Adolf Gottwald, Iserlohn (DE)**

(73) **Assignee:** **Friedrich Grohe AG & Co., KG,  
Hemer (DE)**

(\*\*) **Term:** **14 Years**

(21) **Appl. No.:** **29/141,944**

(22) **Filed:** **May 16, 2001**

(30) **Foreign Application Priority Data**

Dec. 6, 2000 (DE) ..... 4 00 11 368

(51) **LOC (7) Cl.** ..... **23-01**

(52) **U.S. Cl.** ..... **D23/238**

(58) **Field of Search** ..... **D23/238-257;**  
**4/675-678; 137/801**

(56) **References Cited**

**U.S. PATENT DOCUMENTS**

- D344,127 S \* 2/1994 Carr et al. .... D23/238
- D344,324 S \* 2/1994 Mattis ..... D23/238
- D390,919 S \* 2/1998 Lobermeier ..... D23/238

- D392,025 S \* 3/1998 Doughty et al. .... D23/238
- D404,465 S \* 1/1999 Ko ..... D23/238
- D406,877 S \* 3/1999 Esche et al. .... D23/243
- D420,430 S \* 2/2000 Lobermeier ..... D23/238
- D421,291 S \* 2/2000 Fabian et al. .... D23/243

\* cited by examiner

*Primary Examiner*—Louis S. Zarfes

*Assistant Examiner*—Gregory Andoll

(74) *Attorney, Agent, or Firm*—Herbert Dubno

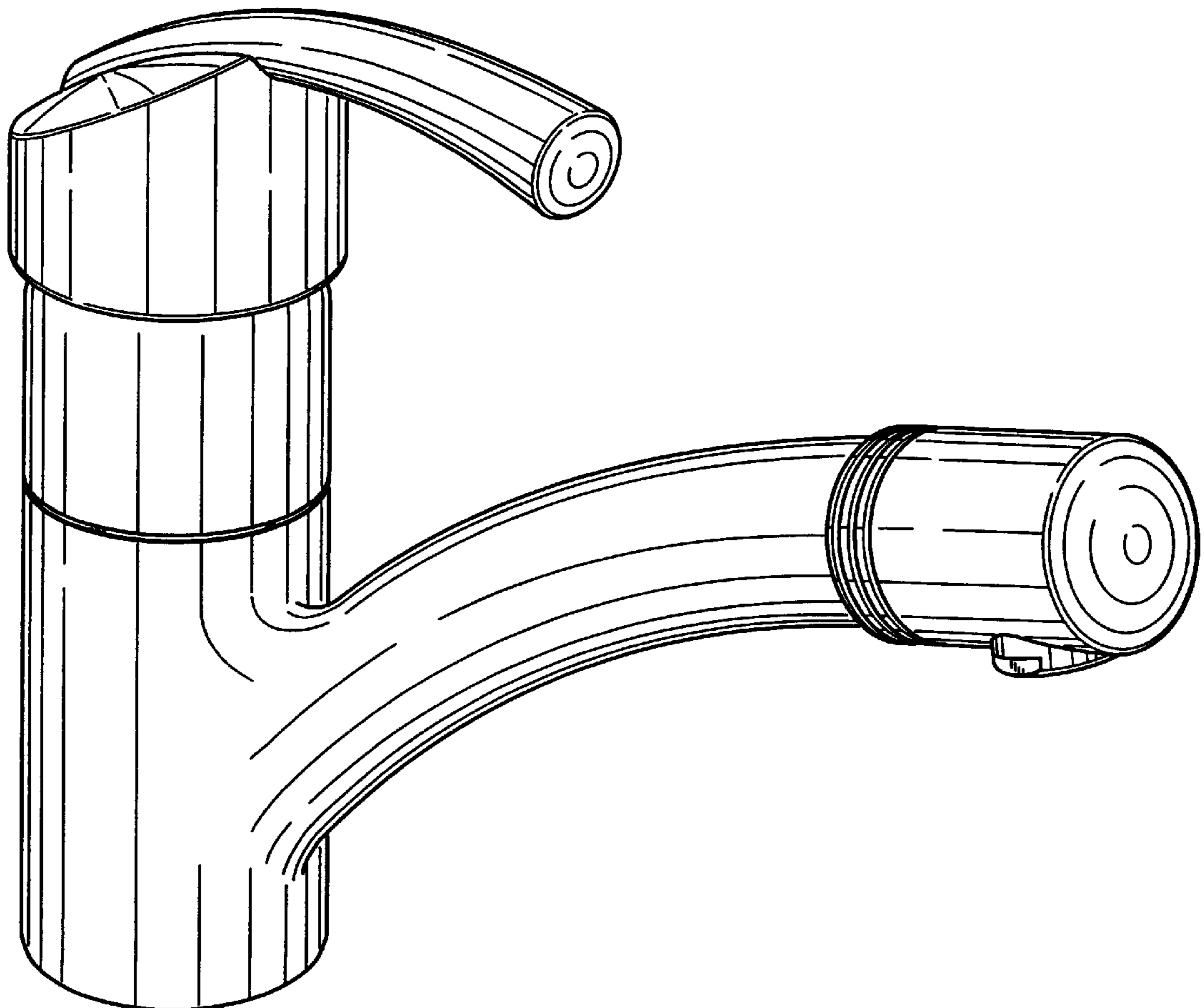
(57) **CLAIM**

The ornamental design for a sink faucet, as shown and described.

**DESCRIPTION**

FIG. 1 is a top, front, left-side perspective view of a sink faucet showing my new design;  
 FIG. 2 is a rear elevational view thereof;  
 FIG. 3 is a left side elevational view thereof, the right side view being mirror symmetrical thereto;  
 FIG. 4 is a front elevational view thereof;  
 FIG. 5 is a top plan view thereof; and,  
 FIG. 6 is a bottom plan view thereof.

**1 Claim, 3 Drawing Sheets**



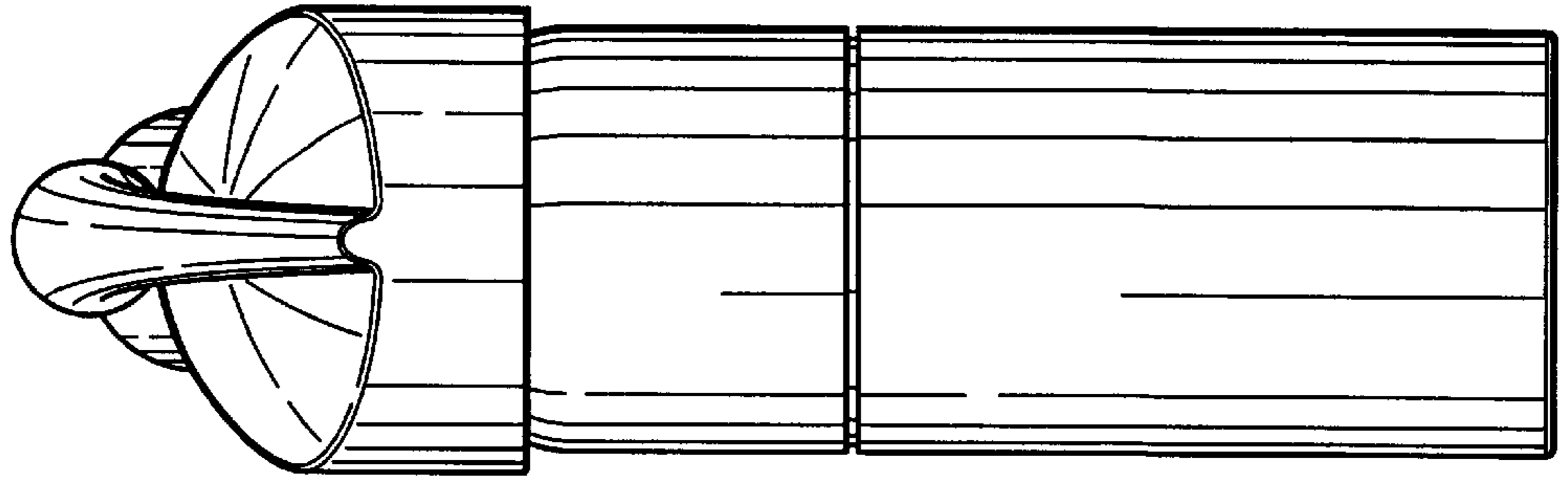


FIG. 2

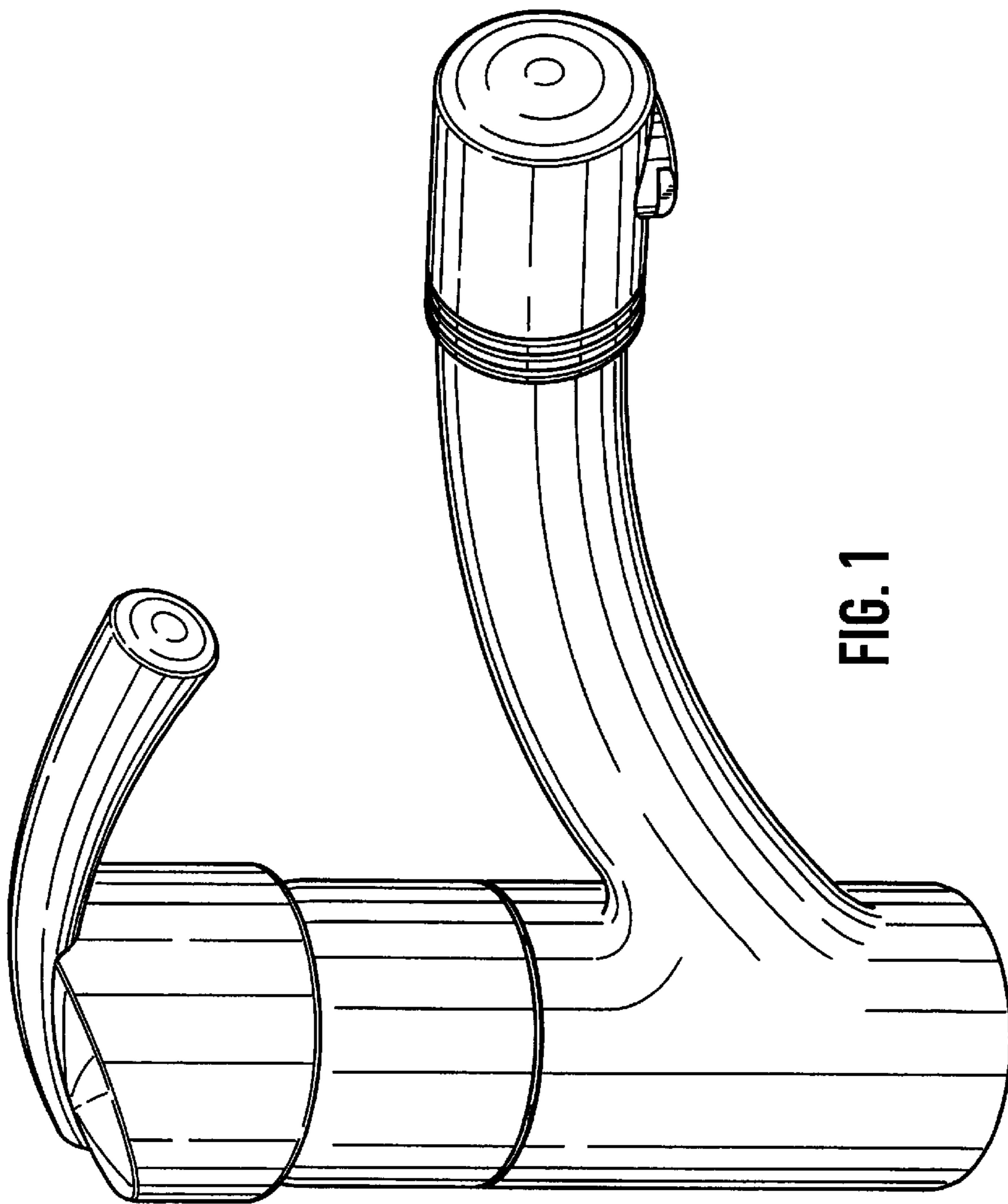


FIG. 1

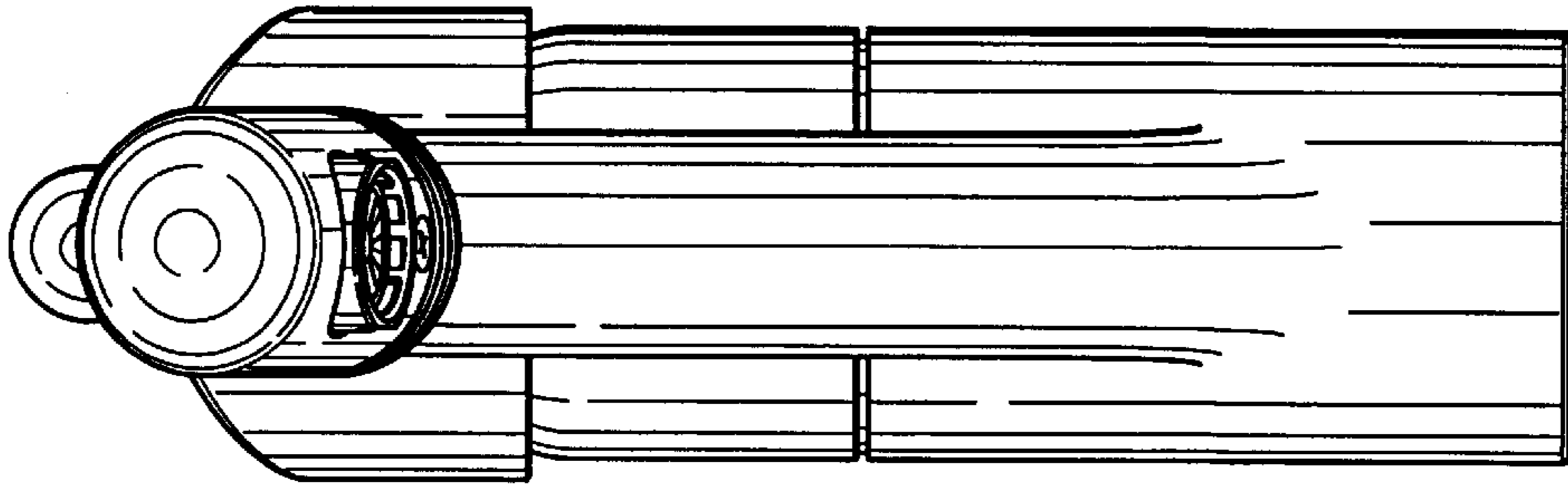


FIG. 4

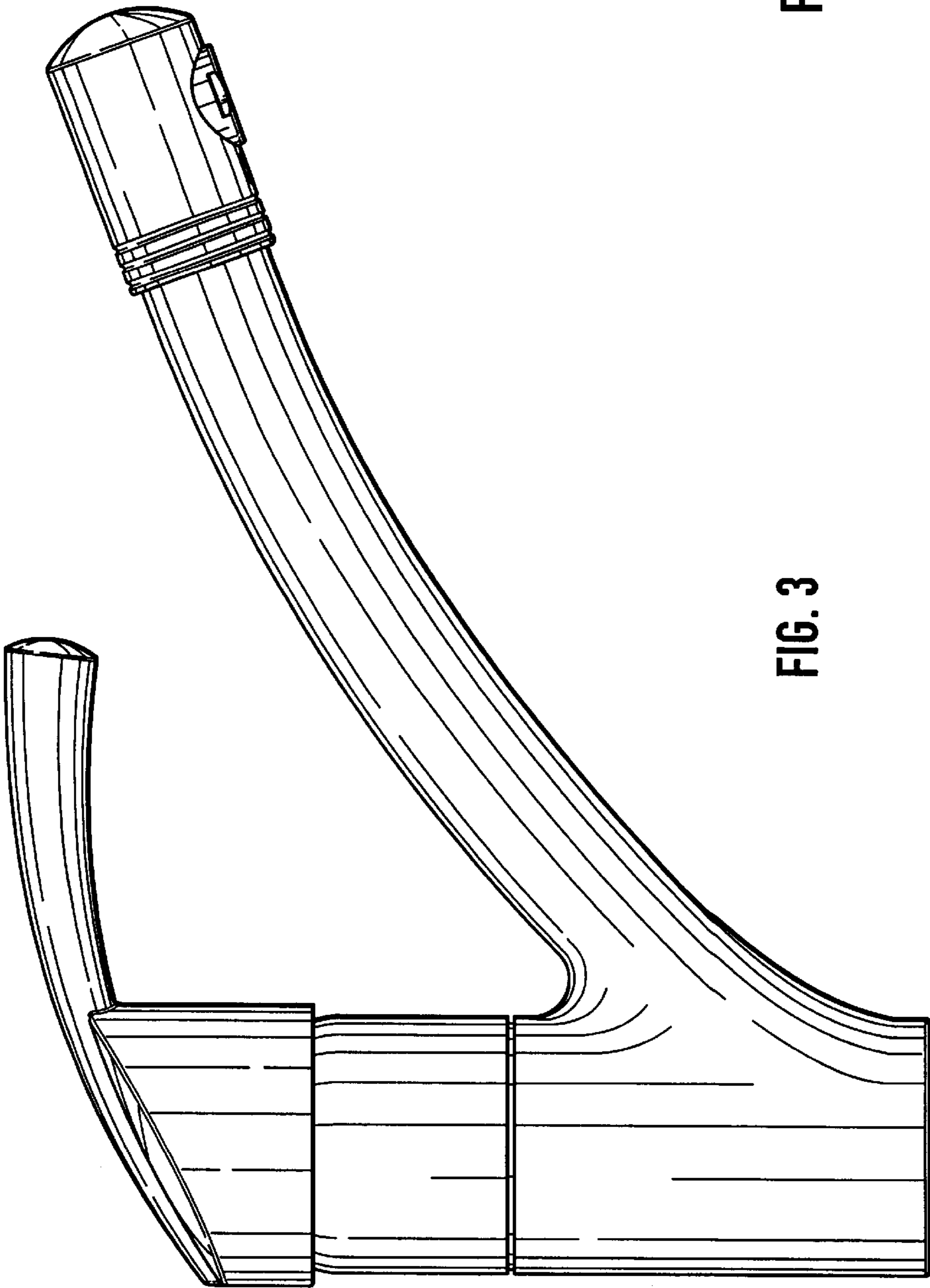


FIG. 3

FIG. 5

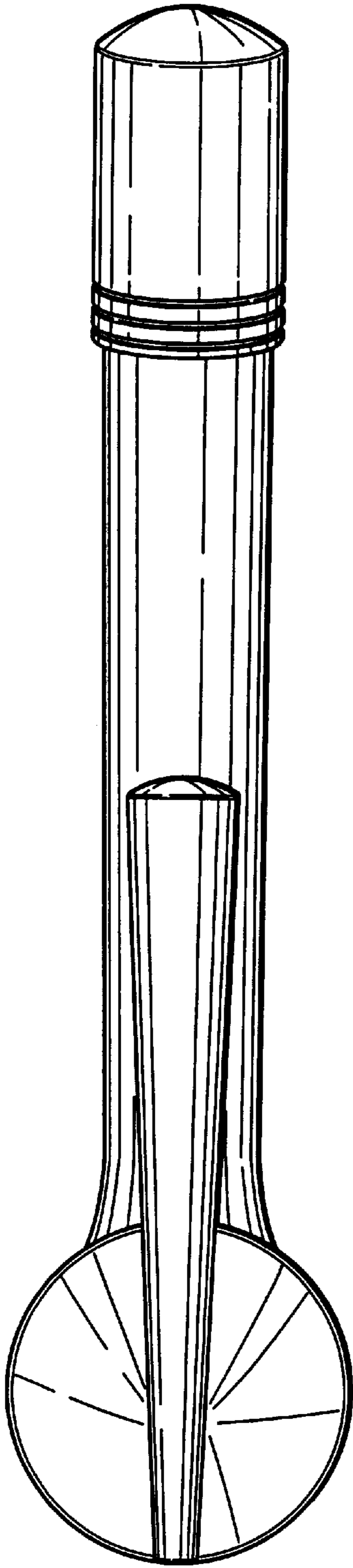


FIG. 6

