



US00D463525S

(12) **United States Design Patent**
Drechsel

(10) **Patent No.:** **US D463,525 S**

(45) **Date of Patent:** **** Sep. 24, 2002**

(54) **SPRINKLER**

(76) **Inventor:** **Arno Drechsel**, Via Castel Mareccio, 4,
39100 Bolzano (IT)

(**) **Term:** **14 Years**

(21) **Appl. No.:** **29/148,195**

(22) **Filed:** **Sep. 17, 2001**

(51) **LOC (7) Cl.** **23-01**

(52) **U.S. Cl.** **D23/214**

(58) **Field of Search** D23/214, 215,
D23/216, 217; 239/225.1, 230, 233, 204-206

(56) **References Cited**

U.S. PATENT DOCUMENTS

3,986,671	A	*	10/1976	Nugent	239/230
5,353,989	A	*	10/1994	Drechsel	239/230
5,622,316	A	*	4/1997	Drechsel	239/230
D414,243	S	*	9/1999	Steingass et al.	D23/213
D416,604	S	*	11/1999	Drechsel	D23/214

* cited by examiner

Primary Examiner—Robin V. Taylor

(74) *Attorney, Agent, or Firm*—R. Neil Sudol; William Sapone; Henry Coleman

(57) **CLAIM**

The ornamental design for sprinkler, as shown and described.

DESCRIPTION

FIG. 1 is a top, rear and right side perspective view of a sprinkler, showing my new design;

FIG. 2 is a right side elevational view thereof;

FIG. 3 is a left side elevational view thereof;

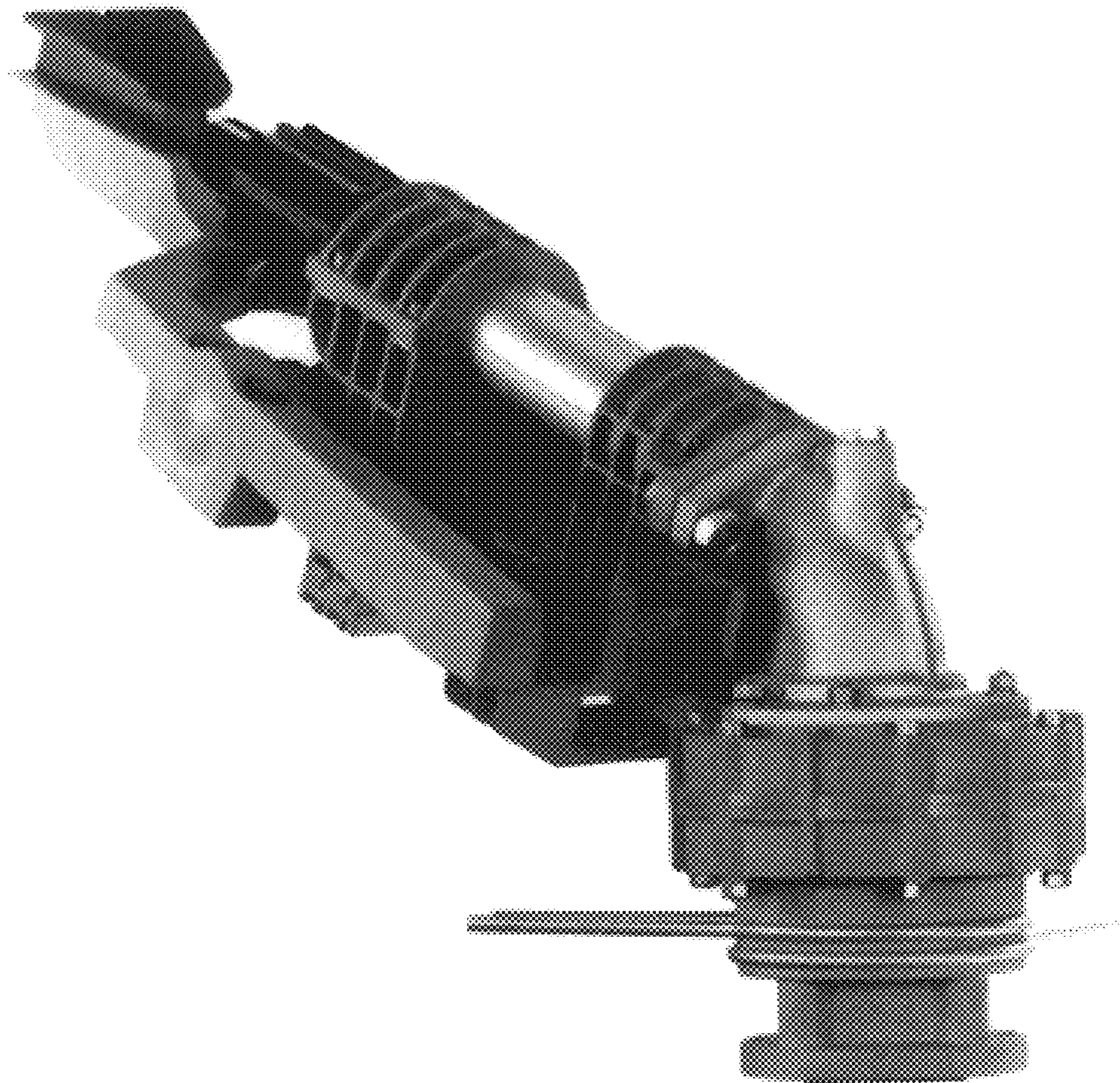
FIG. 4 is a front elevational view thereof;

FIG. 5 is a rear elevational view thereof;

FIG. 6 is a top plan view thereof; and,

FIG. 7 is a bottom plan view thereof.

1 Claim, 3 Drawing Sheets



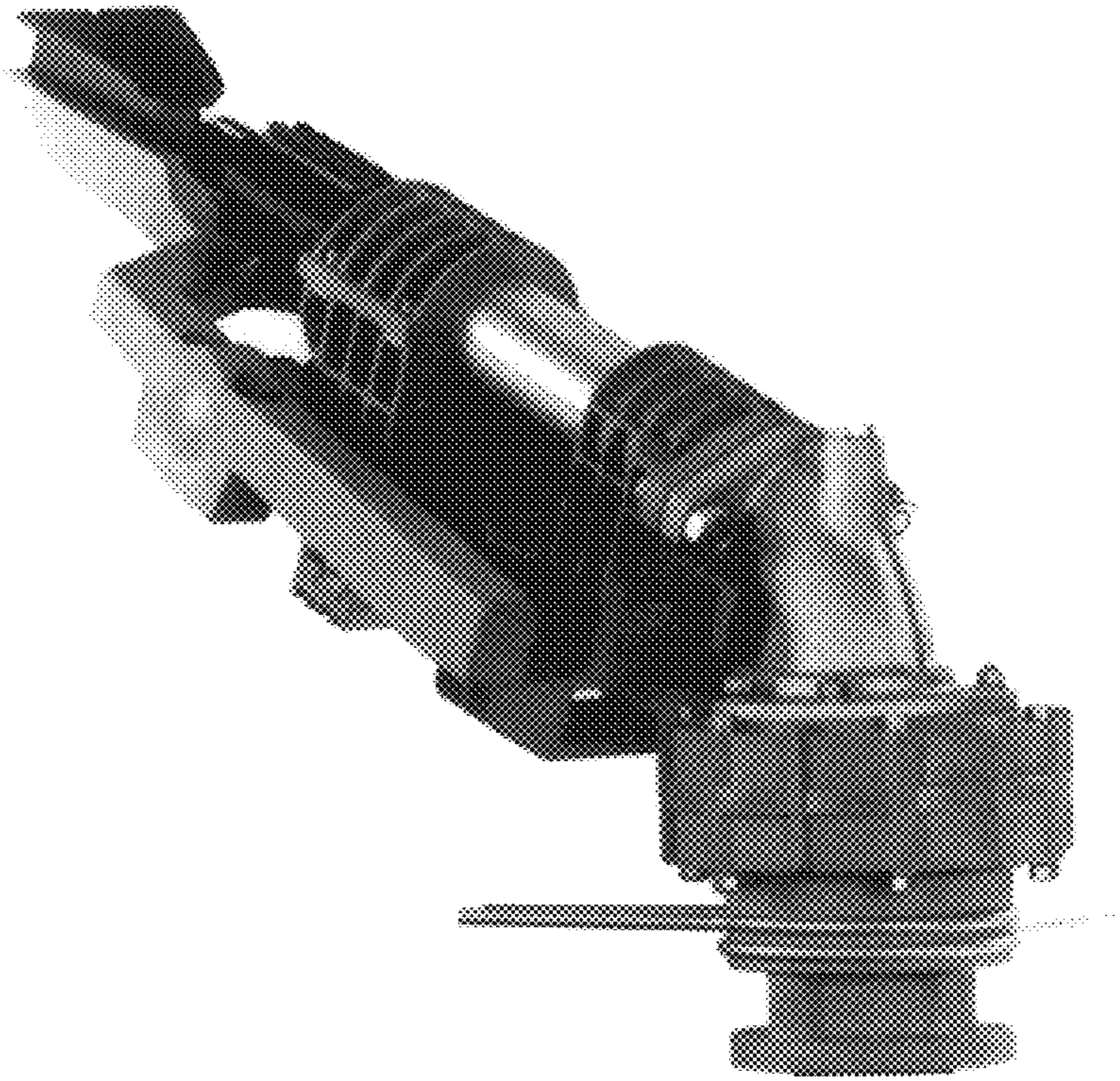


Fig. 1

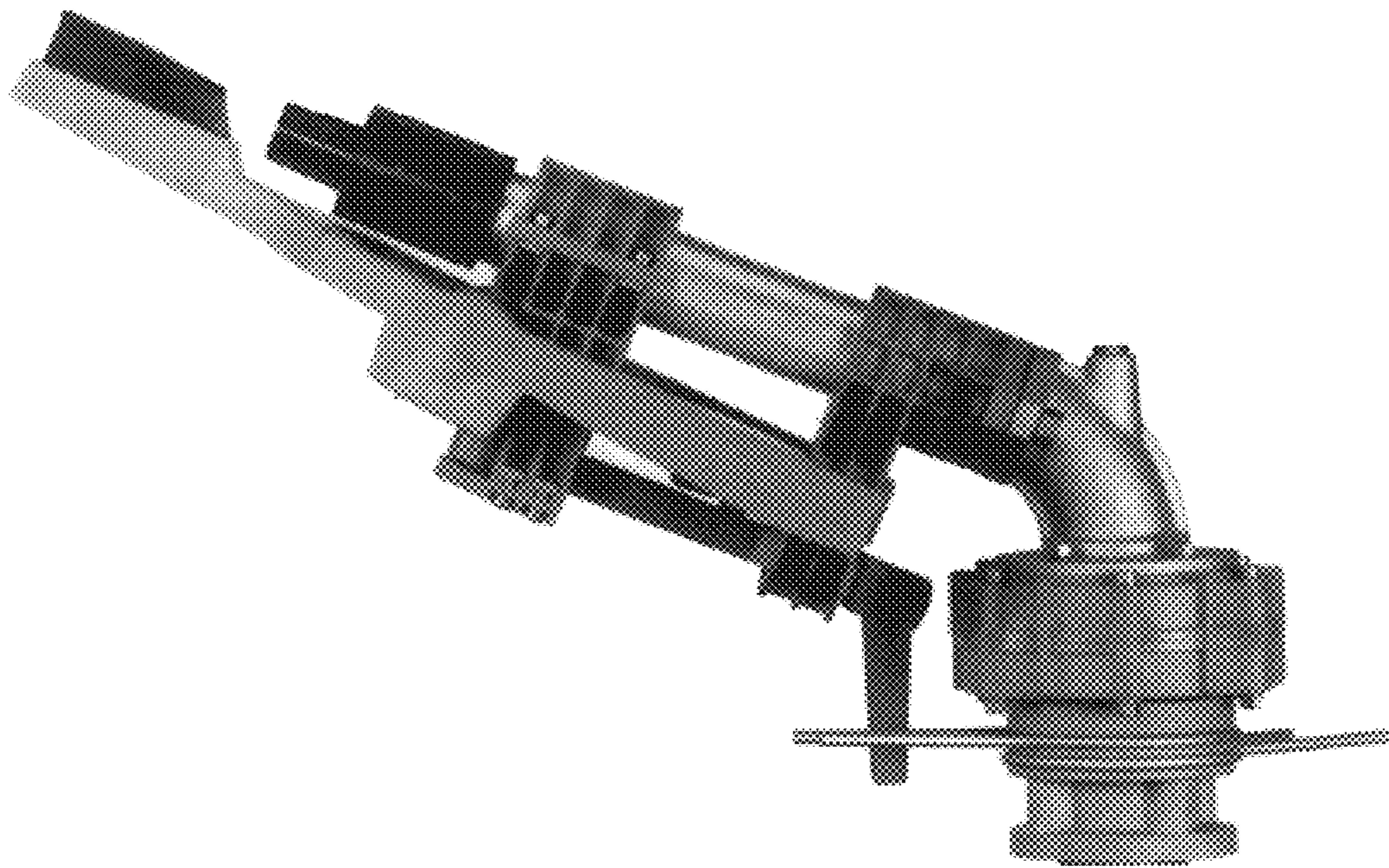


Fig. 2

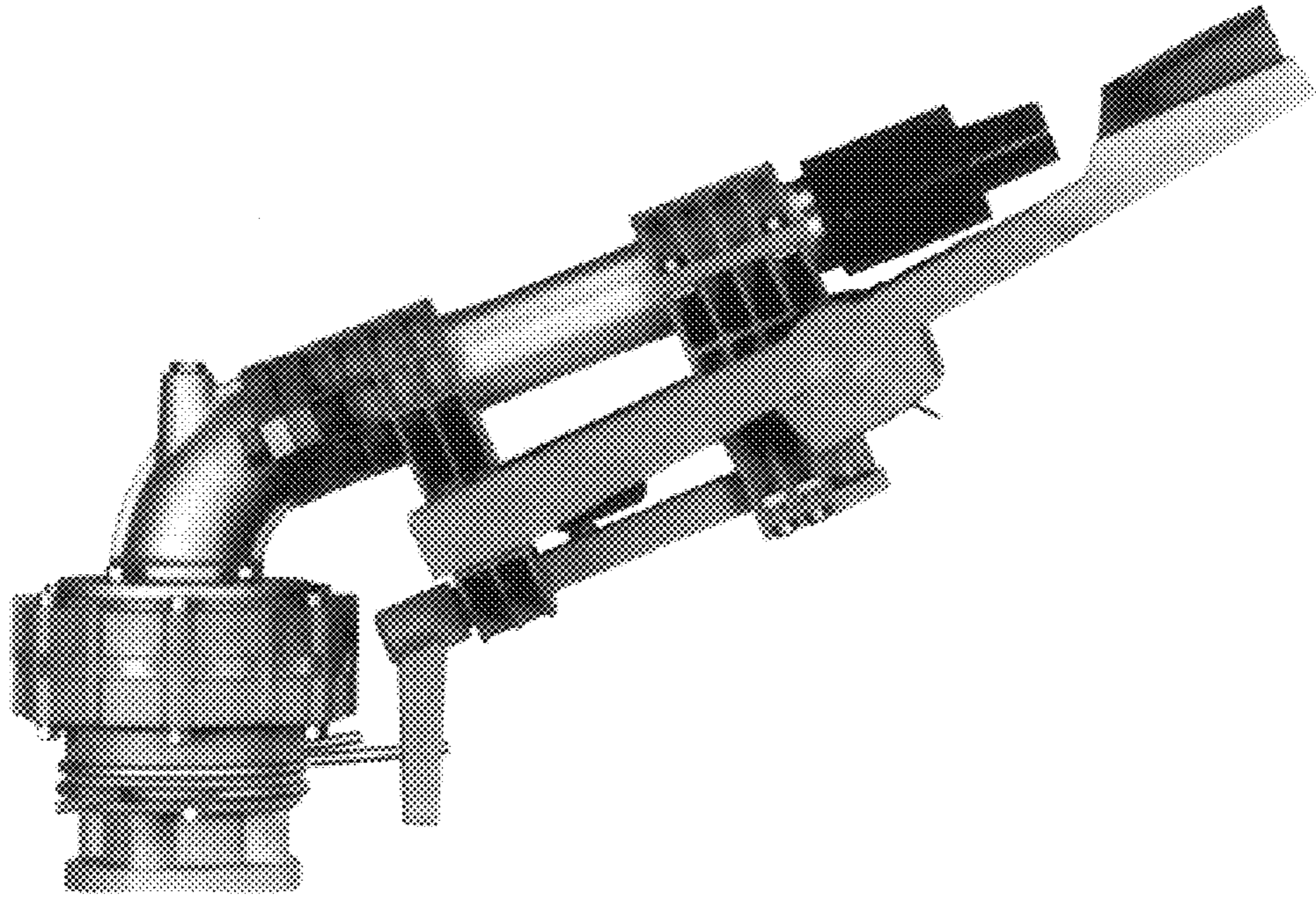


Fig. 3

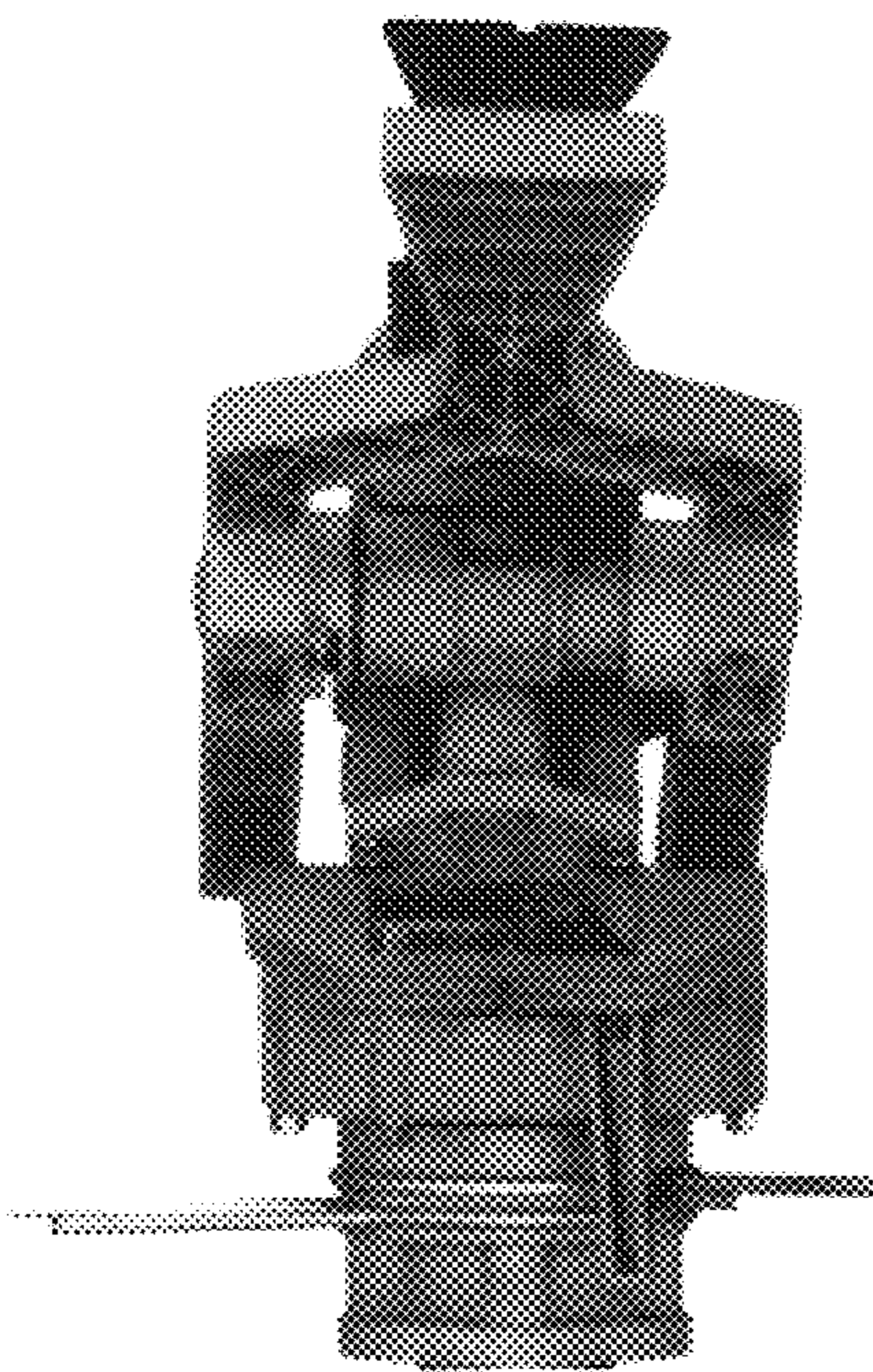


Fig. 4

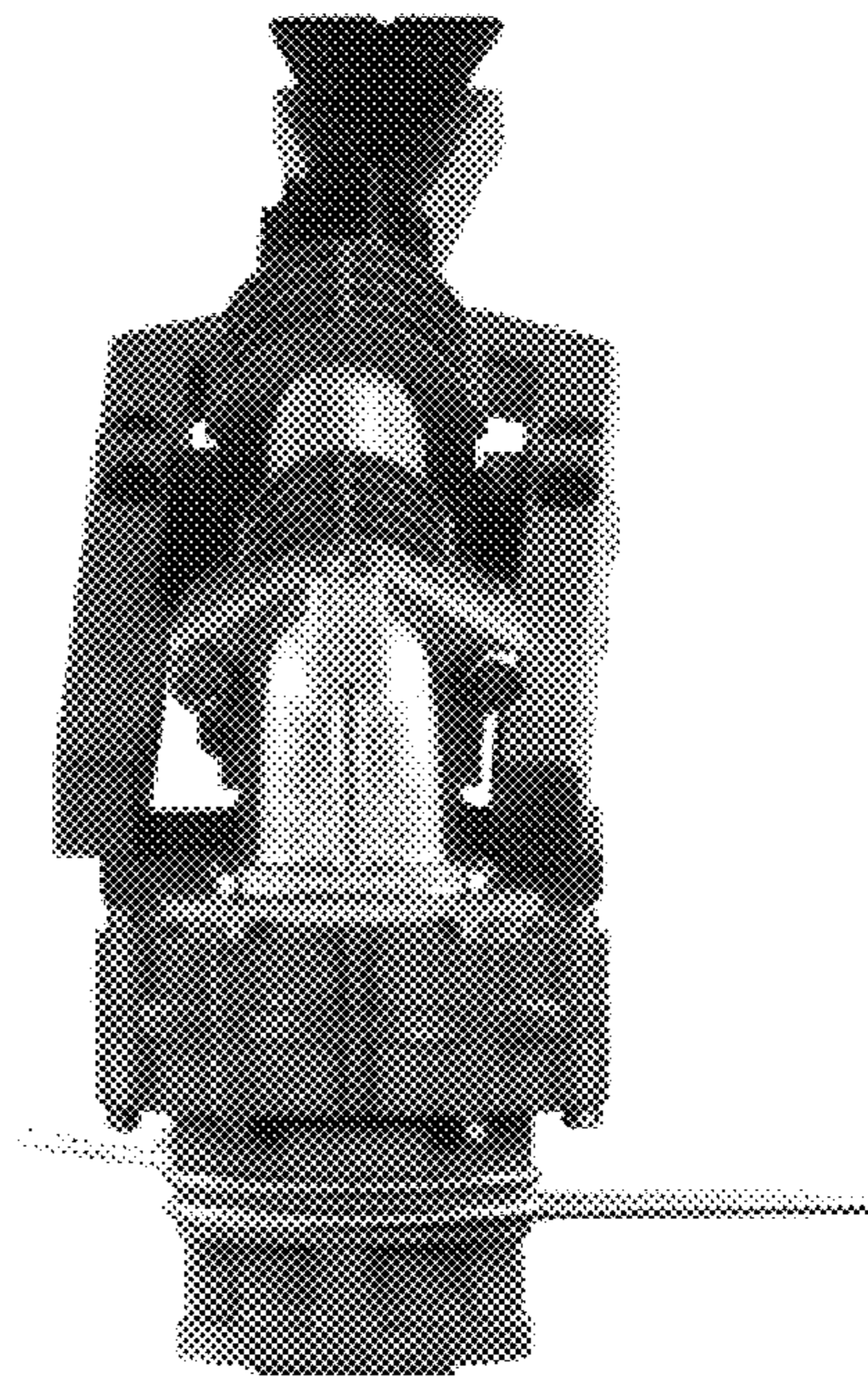


Fig. 5

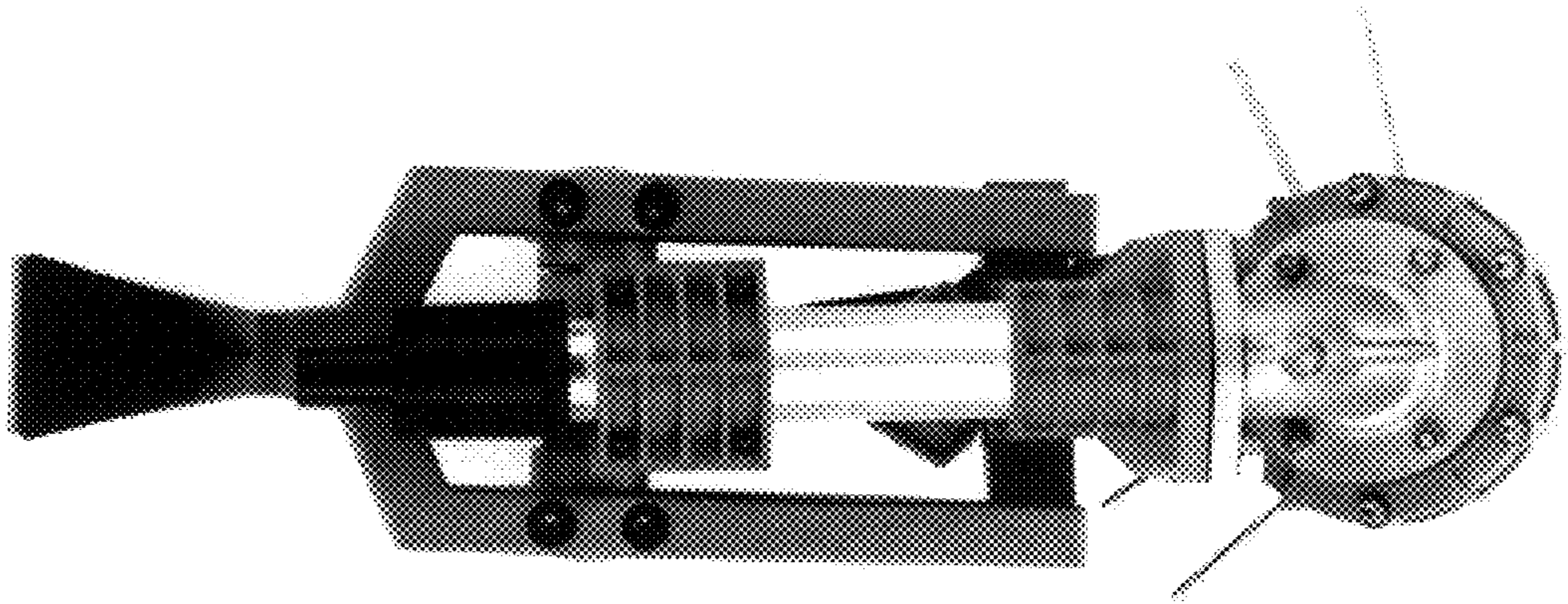


Fig. 6

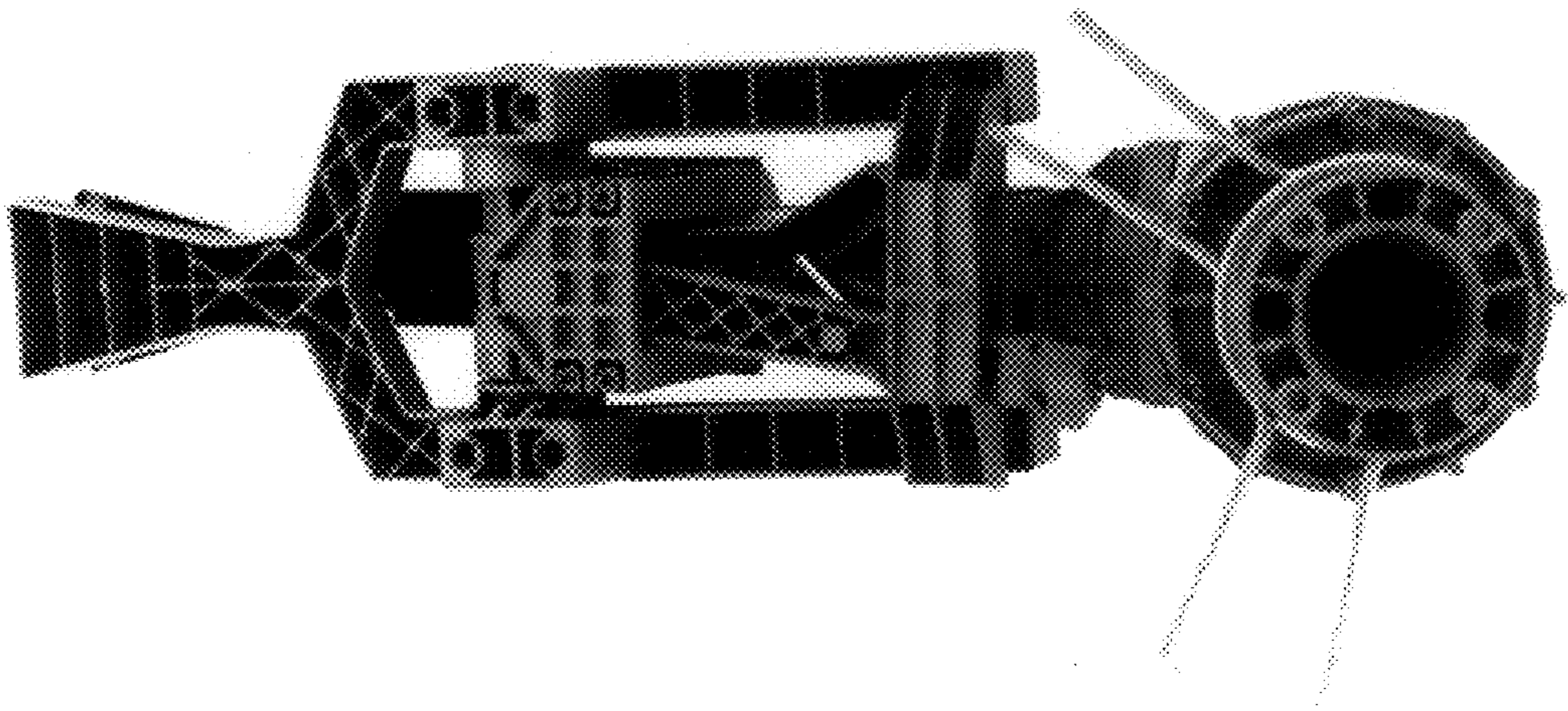


Fig. 7