



US00D463523S

(12) **United States Design Patent**
McCombs

(10) **Patent No.:** **US D463,523 S**

(45) **Date of Patent:** **** Sep. 24, 2002**

(54) **HUNTING DECOY**

(76) **Inventor:** **William McCombs**, 17211 Harmony Hill, Spring, TX (US) 77379

(**) **Term:** **14 Years**

(21) **Appl. No.:** **29/154,617**

(22) **Filed:** **Jan. 25, 2002**

(51) **LOC (7) Cl.** **22-05**

(52) **U.S. Cl.** **D22/125**

(58) **Field of Search** D22/125-133;
43/1, 2, 3; 446/226; 40/538; D20/31, 10,
32, 33

(56) **References Cited**

U.S. PATENT DOCUMENTS

4,890,571 A	1/1990	Gaskill	116/22 A
D339,402 S	* 9/1993	Santos, Jr.	D22/125
5,682,701 A	11/1997	Gammon	43/2
D398,697 S	* 9/1998	Scordo	D22/125

D426,281 S	*	6/2000	Davis	D22/125
6,079,139 A		6/2000	Berry	43/1
D434,081 S	*	11/2000	Gruber	D20/31

* cited by examiner

Primary Examiner—Catherine R. Oliver
(74) *Attorney, Agent, or Firm*—Goldstein & Lavas, P.C.

(57) **CLAIM**

The ornamental design for a hunting decoy, as shown and described.

DESCRIPTION

FIG. 1 is a perspective view of a hunting decoy.
FIG. 2 is a front elevational view thereof.
FIG. 3 is a rear elevational view thereof.
FIG. 4 is a right side elevational view thereof.
FIG. 5 is a left side elevational view thereof.
FIG. 6 is a top plan view of the hunting decoy; and,
FIG. 7 is a bottom plan view thereof.

1 Claim, 4 Drawing Sheets





FIG. 1

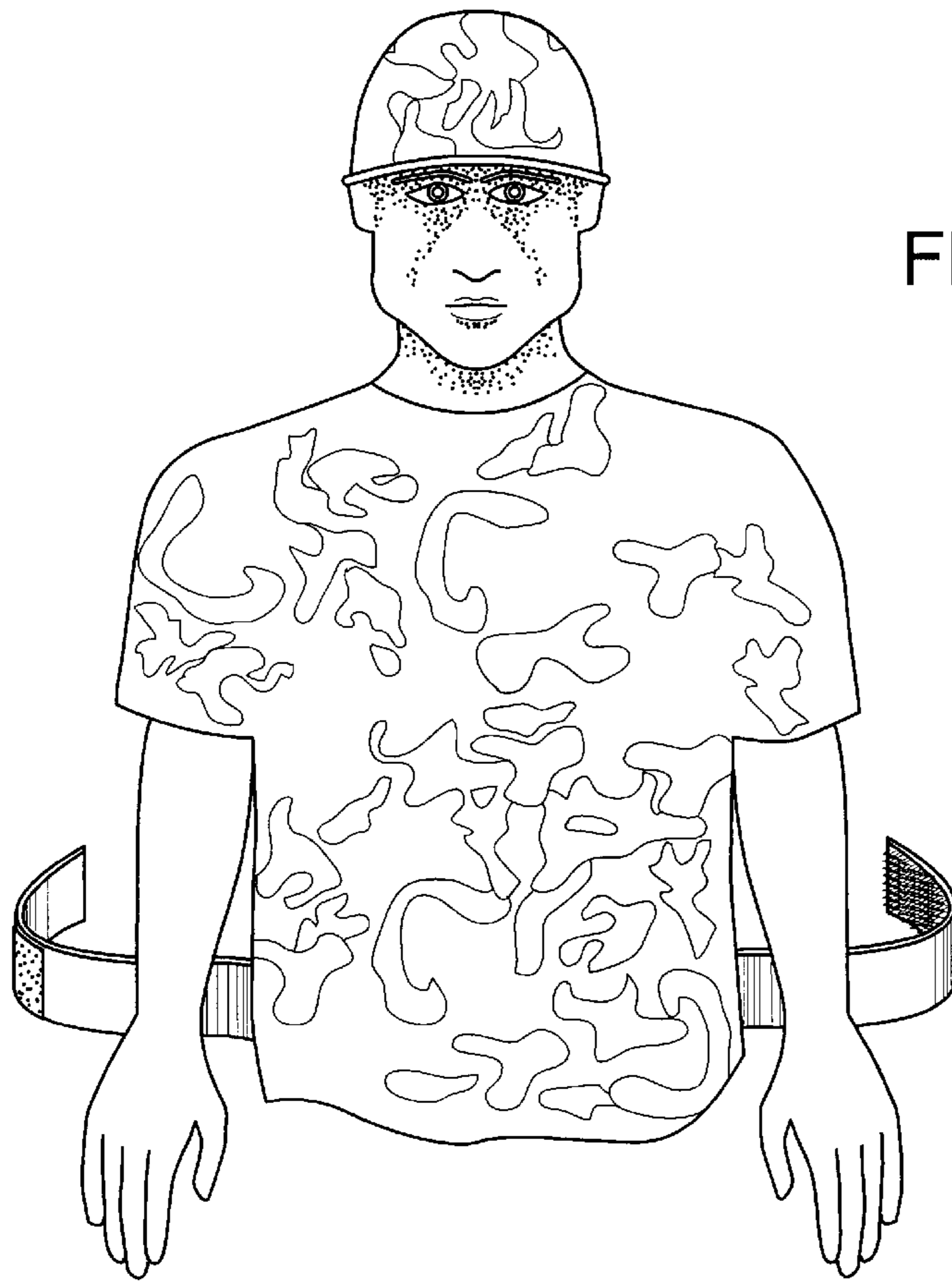
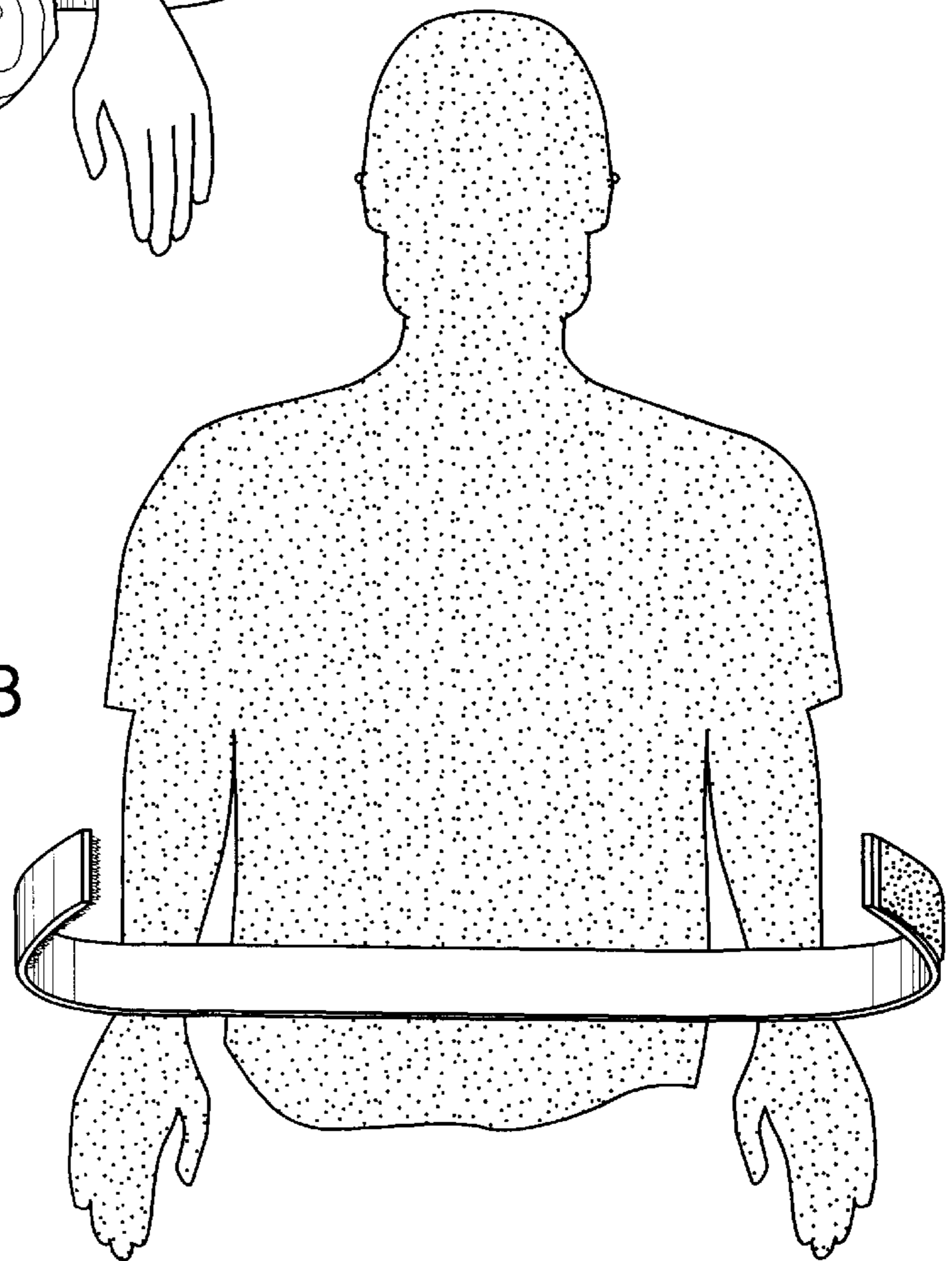


FIG. 2

FIG. 3



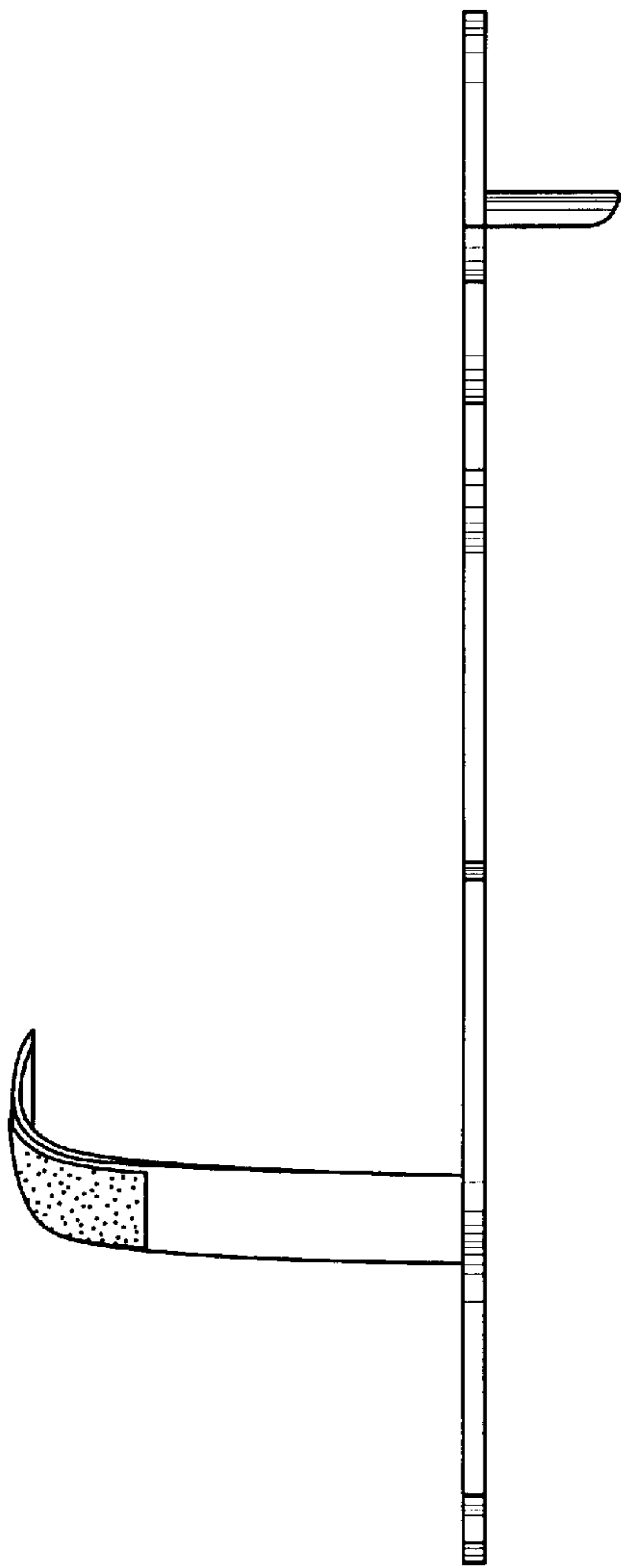


FIG. 4

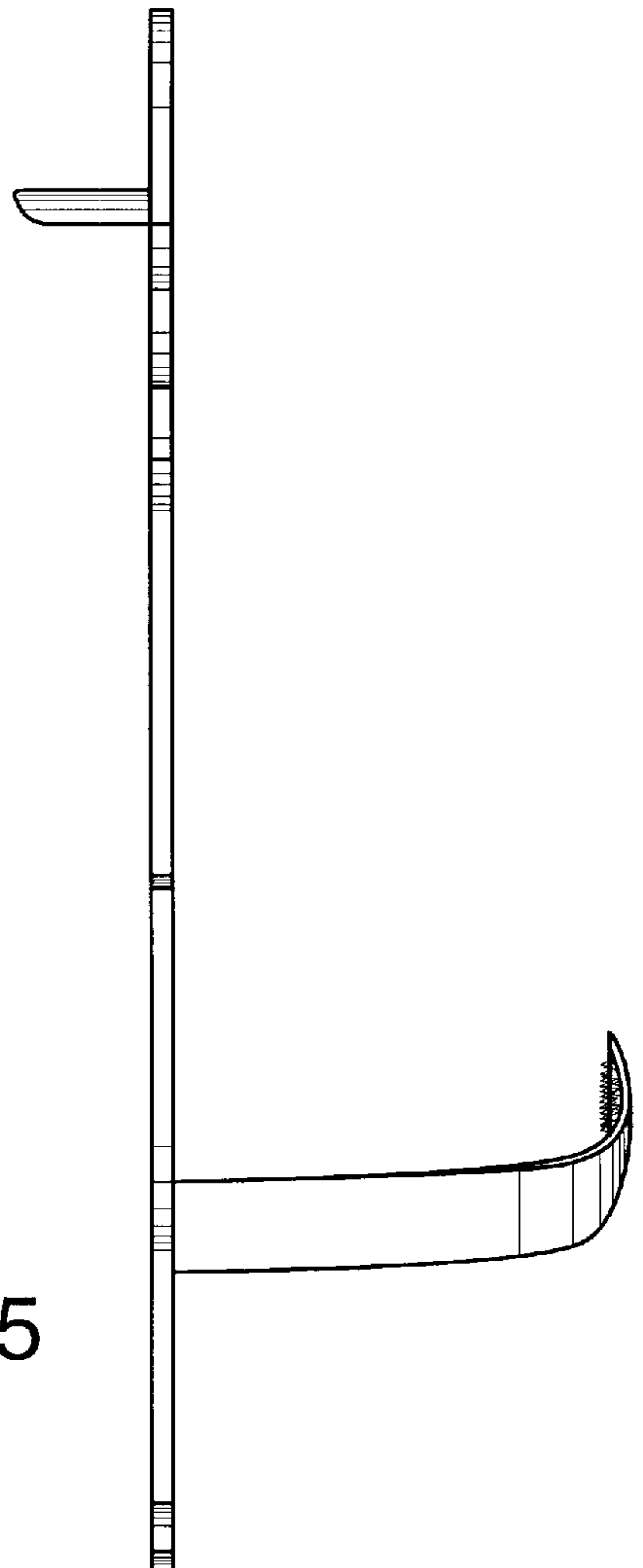


FIG. 5

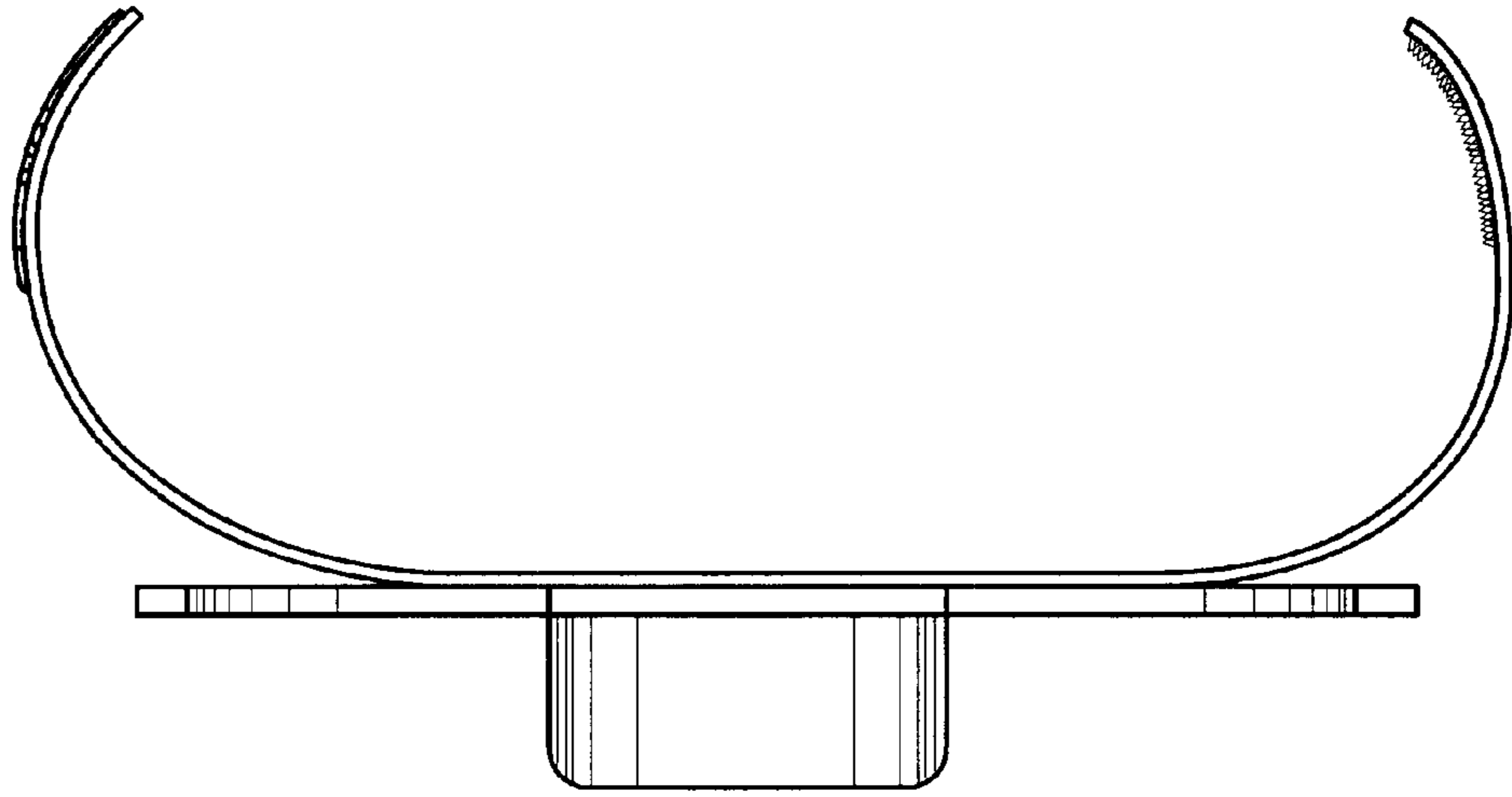


FIG. 6

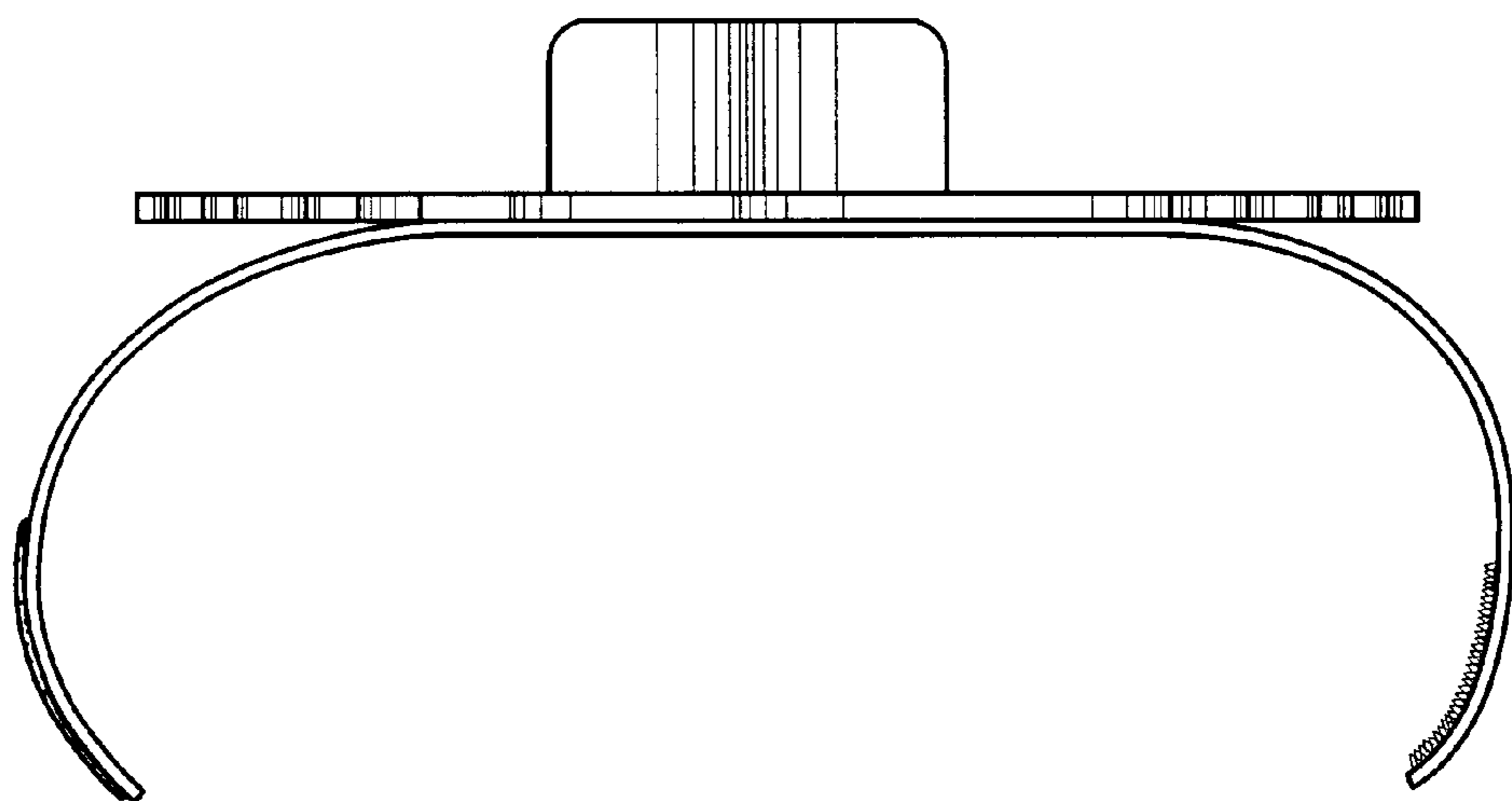


FIG. 7