



US00D463522S

(12) **United States Design Patent**  
**Goessling, Jr.**

(10) **Patent No.:** **US D463,522 S**

(45) **Date of Patent:** **\*\* Sep. 24, 2002**

(54) **BALL MARK REPAIR TOOL**

\* cited by examiner

(75) Inventor: **John G. Goessling, Jr.**, County of St. Louis, MO (US)

*Primary Examiner*—Mitchell Siegel  
(74) *Attorney, Agent, or Firm*—Polster, Lieder, Woodruff & Lucchesi, L.C.

(73) Assignee: **Quick Point, Inc.**, Fenton, MO (US)

(\*\*) Term: **14 Years**

(57) **CLAIM**

(21) Appl. No.: **29/142,215**

The ornamental design for a ball mark repair tool, as shown and described.

(22) Filed: **May 21, 2001**

**DESCRIPTION**

(51) **LOC (7) Cl.** ..... **21-02**

FIG. 1 is a top, rear and right side perspective view of a ball mark repair tool showing my new design;

(52) **U.S. Cl.** ..... **D21/793**

FIG. 2 is a top plan view thereof;

(58) **Field of Search** ..... D21/793; 473/286, 473/408

FIG. 3 is a bottom plan view thereof;

FIG. 4 is a right side elevational view thereof;

FIG. 5 is a front elevational view thereof;

FIG. 6 is a rear elevational view thereof; and,

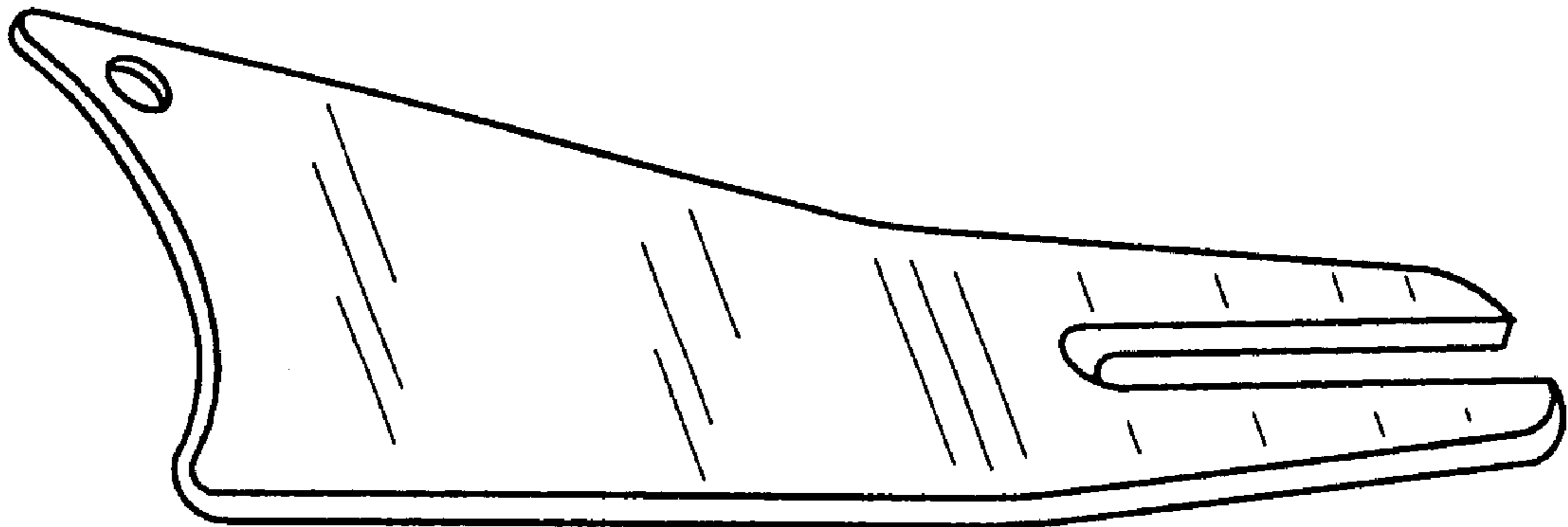
FIG. 7 is a top, rear, and right side perspective view of a second embodiment of the ball mark repair tool as disclosed in FIG. 1. The undisclosed sides of are identical to those disclosed in the first embodiment.

(56) **References Cited**

**U.S. PATENT DOCUMENTS**

5,121,519	A	*	6/1992	Haugom	.....	473/408
D360,450	S	*	7/1995	Louden et al.	.....	D21/793
D428,462	S	*	7/2000	Adam	.....	D21/793
D431,625	S	*	10/2000	Gribovsly	.....	D21/793
D432,198	S	*	10/2000	Adam	.....	D21/793
D436,152	S	*	1/2001	Sanford, III	.....	D21/793

**1 Claim, 1 Drawing Sheet**



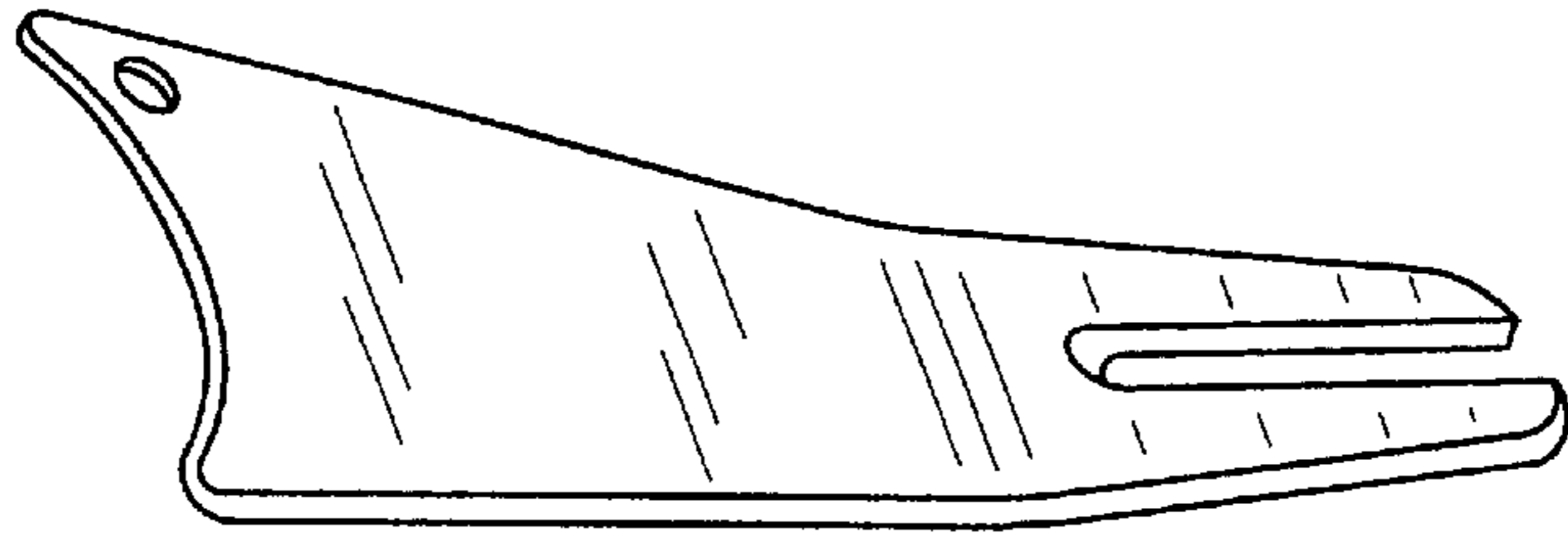


FIG. 1

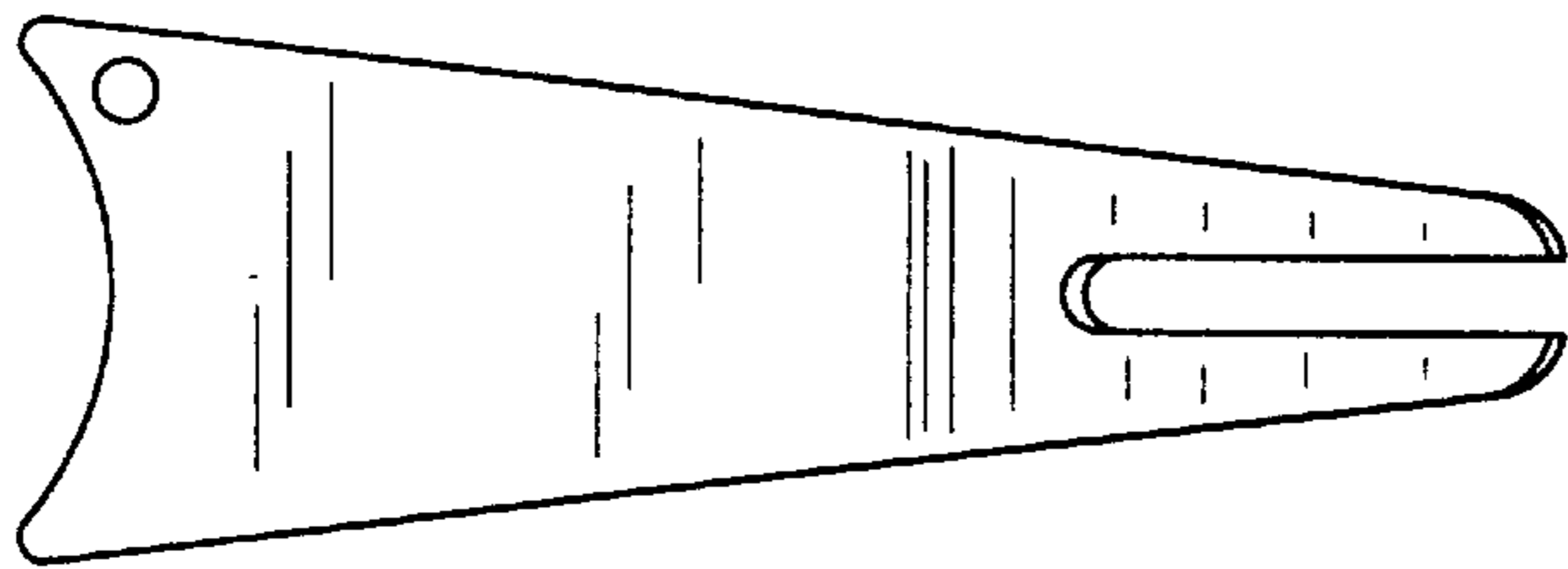


FIG. 2

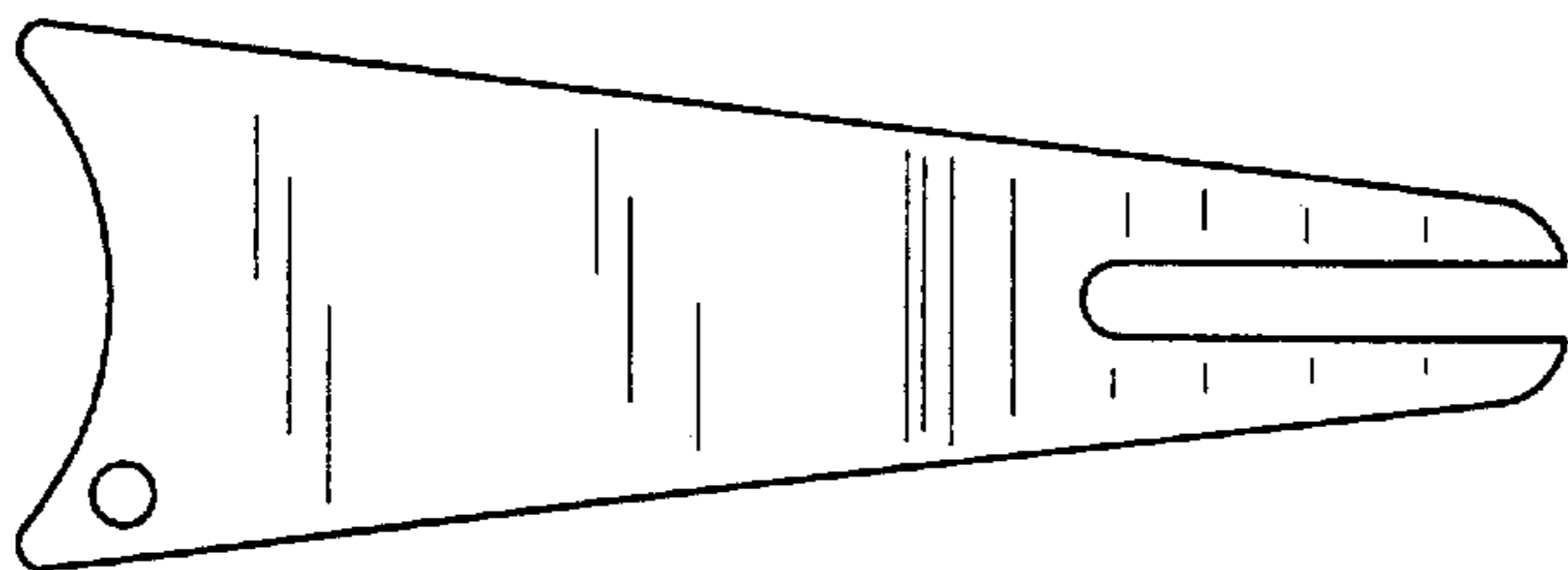


FIG. 3

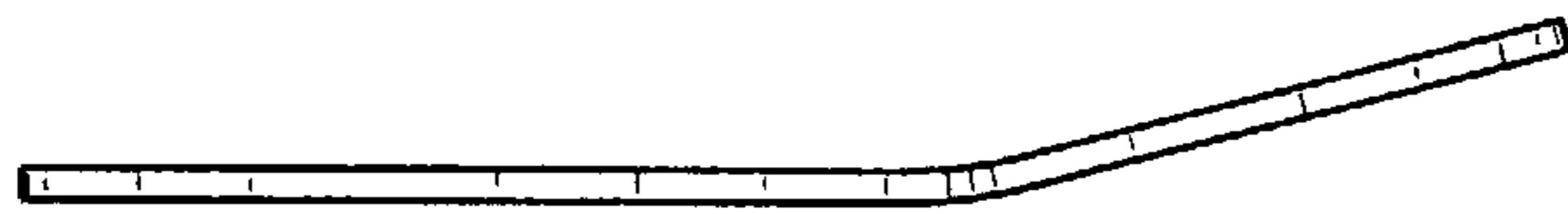


FIG. 4

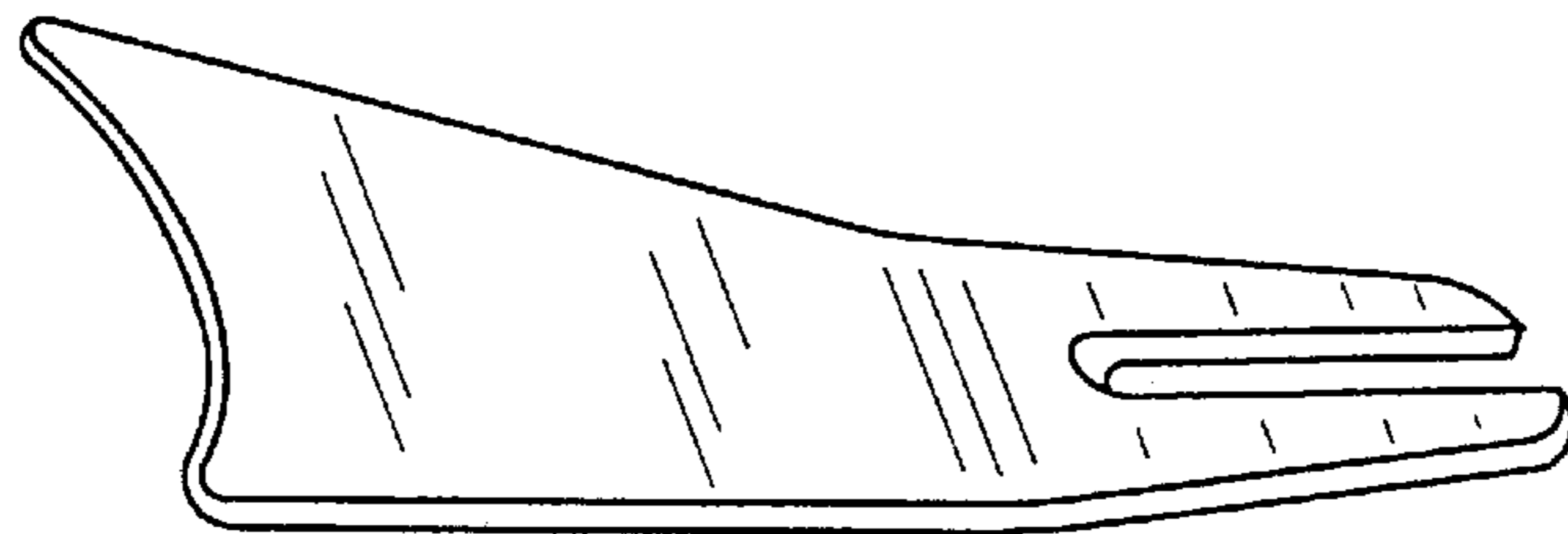


FIG. 7



FIG. 5



FIG. 6