



US00D463519S

(12) **United States Design Patent**  
**Batista et al.**

(10) **Patent No.:** **US D463,519 S**

(45) **Date of Patent:** **\*\* Sep. 24, 2002**

(54) **GOLF CLUB HEAD COVER**

(75) Inventors: **Catherine Batista**, Carlsbad, CA (US);  
**Mark Noyes**, Carlsbad, CA (US)

(73) Assignee: **Callaway Golf Company**, Carlsbad,  
CA (US)

(\*\*) Term: **14 Years**

(21) Appl. No.: **29/152,122**

(22) Filed: **Dec. 13, 2001**

(51) **LOC (7) Cl.** ..... **21-02**

(52) **U.S. Cl.** ..... **D21/754**

(58) **Field of Search** ..... D21/754; 150/160

(56) **References Cited**

**U.S. PATENT DOCUMENTS**

2,115,307 A	4/1938	Kneeter
D198,693 S	7/1964	Rosenow
3,145,749 A	8/1964	Rosenow
3,294,138 A	12/1966	Pawly
D221,563 S	8/1971	Bourgeola

3,821,976 A	7/1974	Smith et al.
D421,780 S	*	3/2000 Whiteside ..... D21/754
D423,068 S	*	4/2000 Choe ..... D21/754
6,230,886 B1	*	5/2001 Bradshaw ..... 150/160
D443,667 S	6/2001	Batista et al.

\* cited by examiner

*Primary Examiner*—Mitchell Siegel

(74) *Attorney, Agent, or Firm*—Michael A. Catania

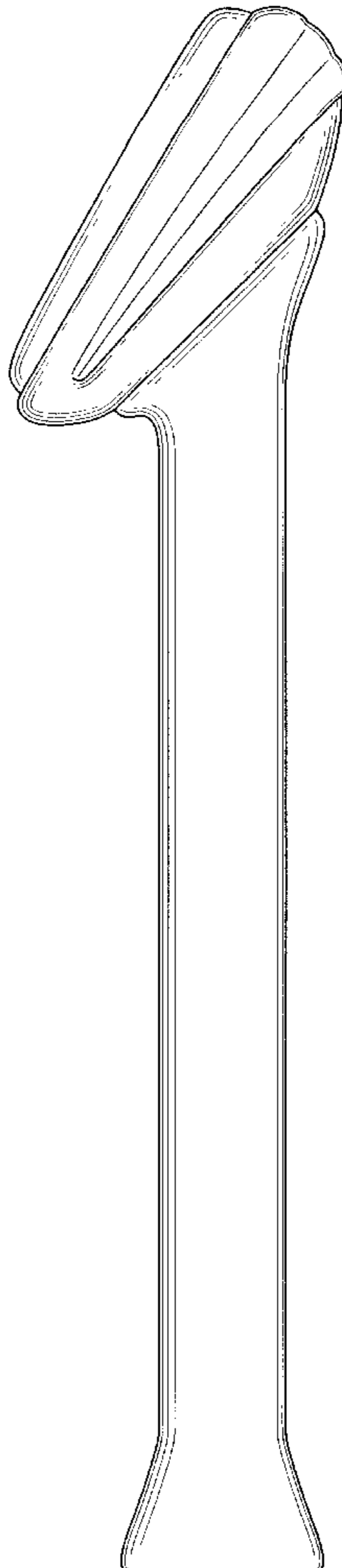
(57) **CLAIM**

The ornamental design for a golf club head cover, as shown and described.

**DESCRIPTION**

FIG. 1 is a front plan view of the golf club head cover of the present invention;  
FIG. 2 is a back plan view thereof;  
FIG. 3 is a left side view thereof; and,  
FIG. 4 is a right side view thereof;  
FIG. 5 is a top end view thereof; and,  
FIG. 6 is a bottom plan view thereof.

**1 Claim, 3 Drawing Sheets**



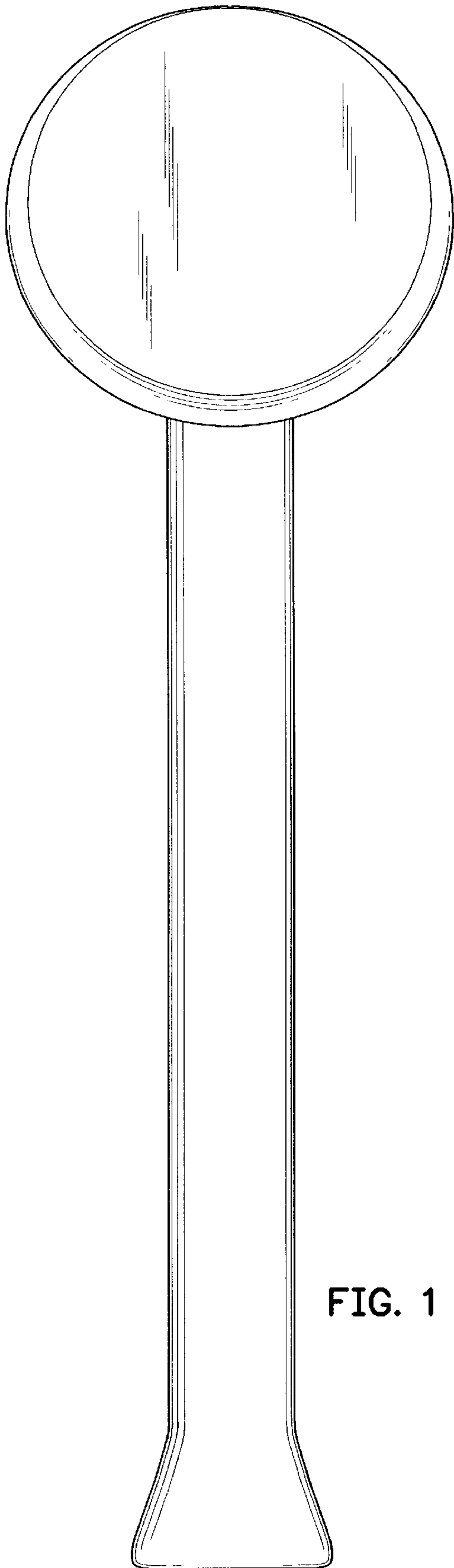


FIG. 1

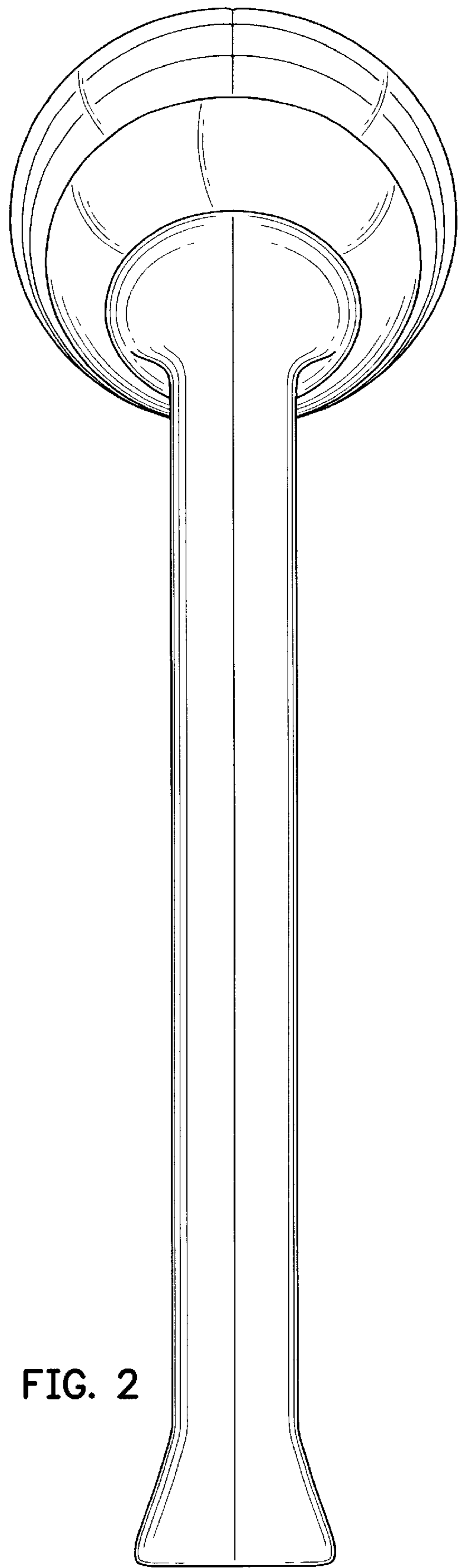


FIG. 2

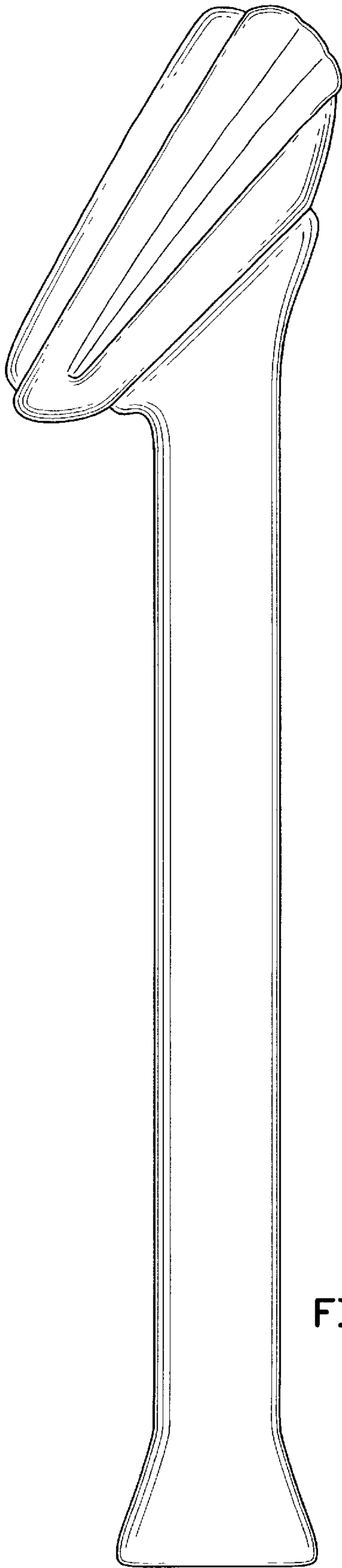


FIG. 3

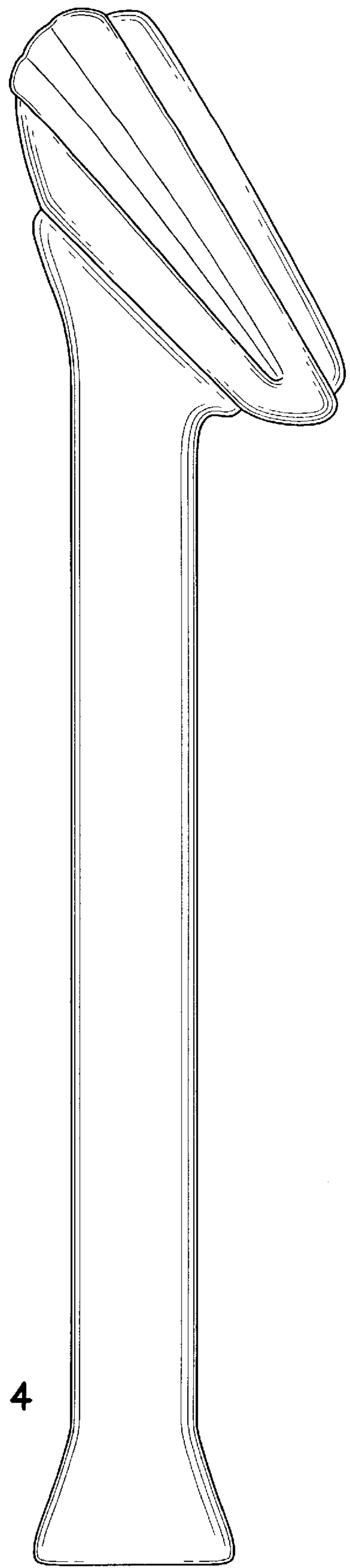


FIG. 4

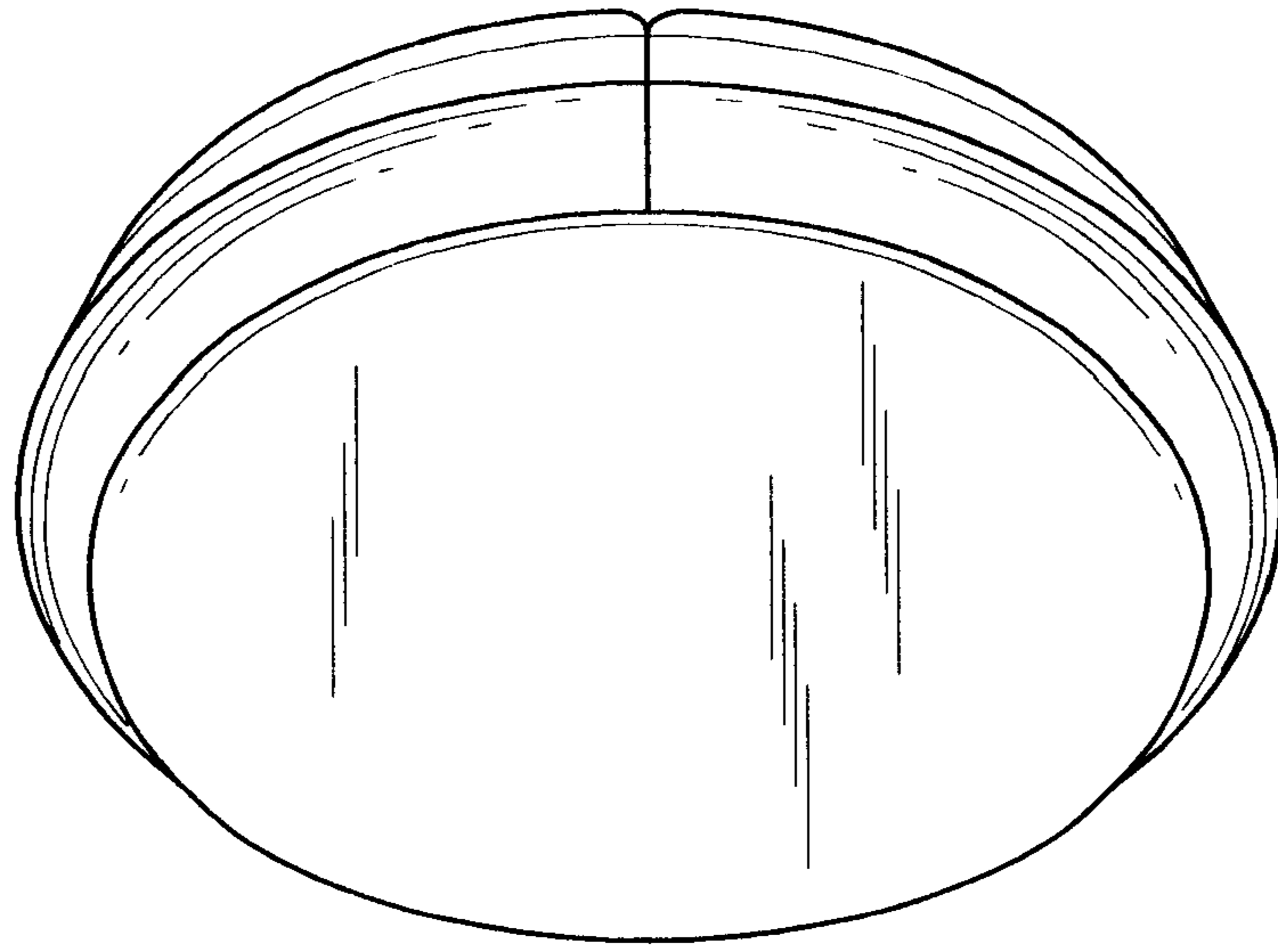


FIG. 5

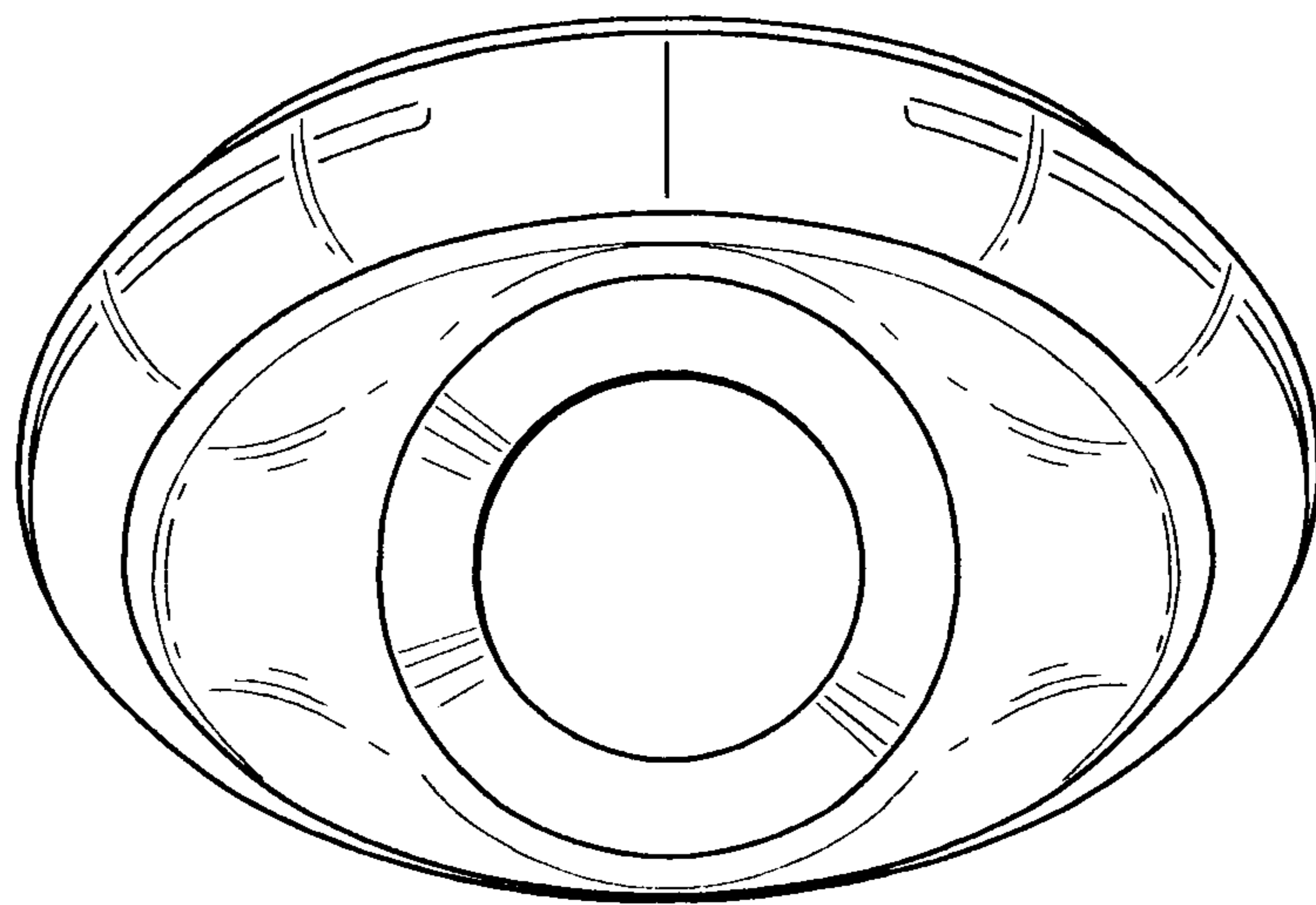


FIG. 6