



US00D463506S

(12) **United States Design Patent**
Seelig et al.

(10) **Patent No.:** **US D463,506 S**

(45) **Date of Patent:** **** Sep. 24, 2002**

(54) **GAME DEVICE DISPLAY**

D41,790 S 9/1911 Amsler
2,103,009 A 12/1937 Klein
D149,117 S 3/1948 Funrock

(75) Inventors: **Jerald C. Seelig**, Absecon; **Larry Henshaw**, Hammonton, both of NJ (US)

(List continued on next page.)

(73) Assignee: **Atlantic City Coin & Slot Service Company, Inc.**, Pleasantville, NJ (US)

FOREIGN PATENT DOCUMENTS

(**) Term: **14 Years**

DE 2327927 12/1974
FR 1.383.479 2/1964
GB 636716 5/1950

(21) Appl. No.: **29/156,214**

Primary Examiner—Sandra L. Morris
(74) *Attorney, Agent, or Firm*—Ian F. Burns

(22) Filed: **Oct. 22, 2001**

(57) **CLAIM**

Related U.S. Application Data

The ornamental design for a game device display, as shown and described.

(63) Continuation-in-part of application No. 29/128,935, filed on Aug. 30, 2000, and a continuation-in-part of application No. 09/644,279, filed on Aug. 22, 2000, and a continuation-in-part of application No. 09/535,075, filed on Mar. 23, 2000, now Pat. No. 6,338,678, and a continuation-in-part of application No. 29/119,509, filed on Mar. 1, 2000, now Pat. No. Des. 451,149.

DESCRIPTION

(51) **LOC (7) Cl.** **21-03**

FIG. 1 is a perspective view of the gaming device display. FIG. 2 is a front elevational view of the gaming device display.

(52) **U.S. Cl.** **D21/370**

FIG. 3 is a back elevational view of the gaming device display.

(58) **Field of Search** D9/549; D21/369-372, D21/385; D11/157, 162; D30/107; 273/143 R, 144 R, 144 A, 144 B; 463/17, 20, 46, 47

FIG. 4 is a left side elevational view of the gaming device display.

FIG. 5 is a top plan view of the gaming device display; and, FIG. 6 is a right side elevational view of the gaming device display.

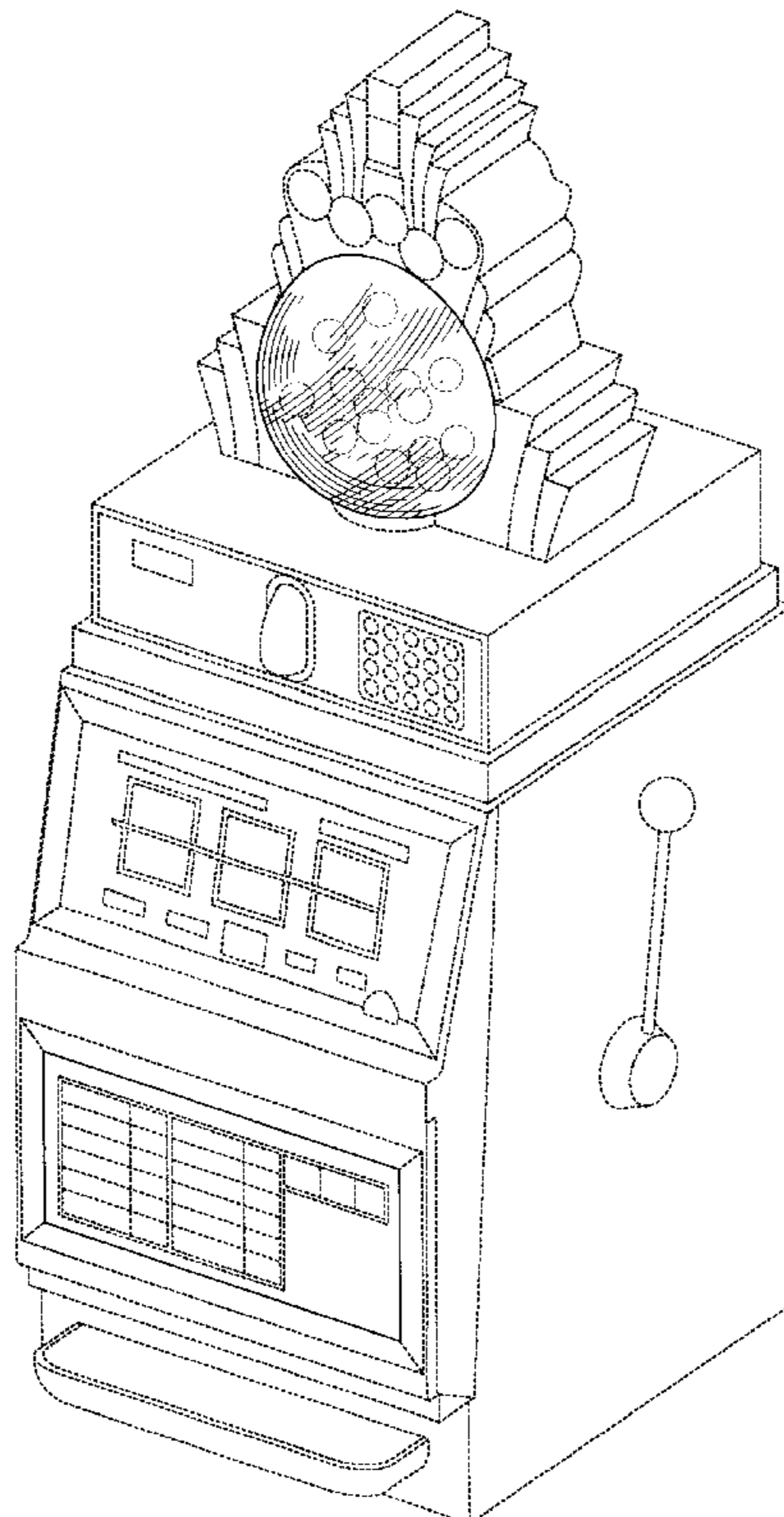
(56) **References Cited**

Broken lines illustrate features or environmental components that are not part of the design sought to be patented.

U.S. PATENT DOCUMENTS

490,902 A 1/1893 Galbreath

1 Claim, 3 Drawing Sheets



US D463,506 S

Page 2

U.S. PATENT DOCUMENTS

D163,323 S	5/1951	Rioux	5,702,101 A	12/1997	Russell
D166,503 S	4/1952	Skelly et al.	5,743,526 A	4/1998	Inoue
D171,623 S	3/1954	Skelly et al.	D394,002 S	5/1998	Morelli
D184,495 S	2/1959	Skelly	5,848,932 A	12/1998	Adams
3,077,254 A	2/1963	Goldfarb	D406,865 S	3/1999	Heidel
3,535,805 A	10/1970	Peiperl	D412,018 S	7/1999	Hoopes
3,557,945 A	1/1971	Gourio	D412,347 S	7/1999	DeSimone et al.
3,679,208 A	7/1972	Carno, Jr. et al.	6,009,048 A	12/1999	Raesz
4,508,346 A	4/1985	Salvucci	D418,634 S	1/2000	Harmony
D284,292 S	6/1986	Smirne	6,089,978 A	7/2000	Adams
D291,426 S	8/1987	Husbands	6,105,962 A	8/2000	Malavazos et al.
D295,090 S	4/1988	Sheridan	D431,607 S	10/2000	Seelig et al.
4,834,385 A	5/1989	Jackson	D431,843 S	10/2000	Seelig et al.
4,871,171 A	10/1989	Rivero	D432,277 S	10/2000	Seelig et al.
4,961,578 A	10/1990	Chateau	D441,029 S	4/2001	Seelig et al.
5,039,101 A	8/1991	Potter	D441,030 S	4/2001	Seelig et al.
5,156,550 A	10/1992	Alexander	D441,031 S	4/2001	Seelig et al.
5,187,889 A	2/1993	Kraselsky et al.	D441,032 S	4/2001	Seelig et al.
D336,061 S	6/1993	Kraselsky et al.	D441,805 S	5/2001	Seelig et al.
5,380,007 A	1/1995	Travis et al.	D442,230 S	5/2001	Seelig et al.
D372,814 S	8/1996	Hartmann	D442,231 S	5/2001	Seelig et al.
D373,690 S	9/1996	Hartmann	D442,641 S	5/2001	Seelig et al.
D375,764 S	11/1996	Hollinger	6,224,483 B1	5/2001	Mayeroff
D383,802 S	9/1997	Levy	6,234,897 B1	5/2001	Frohm et al.
5,673,813 A	10/1997	Russell	D443,314 S	6/2001	Seelig et al.

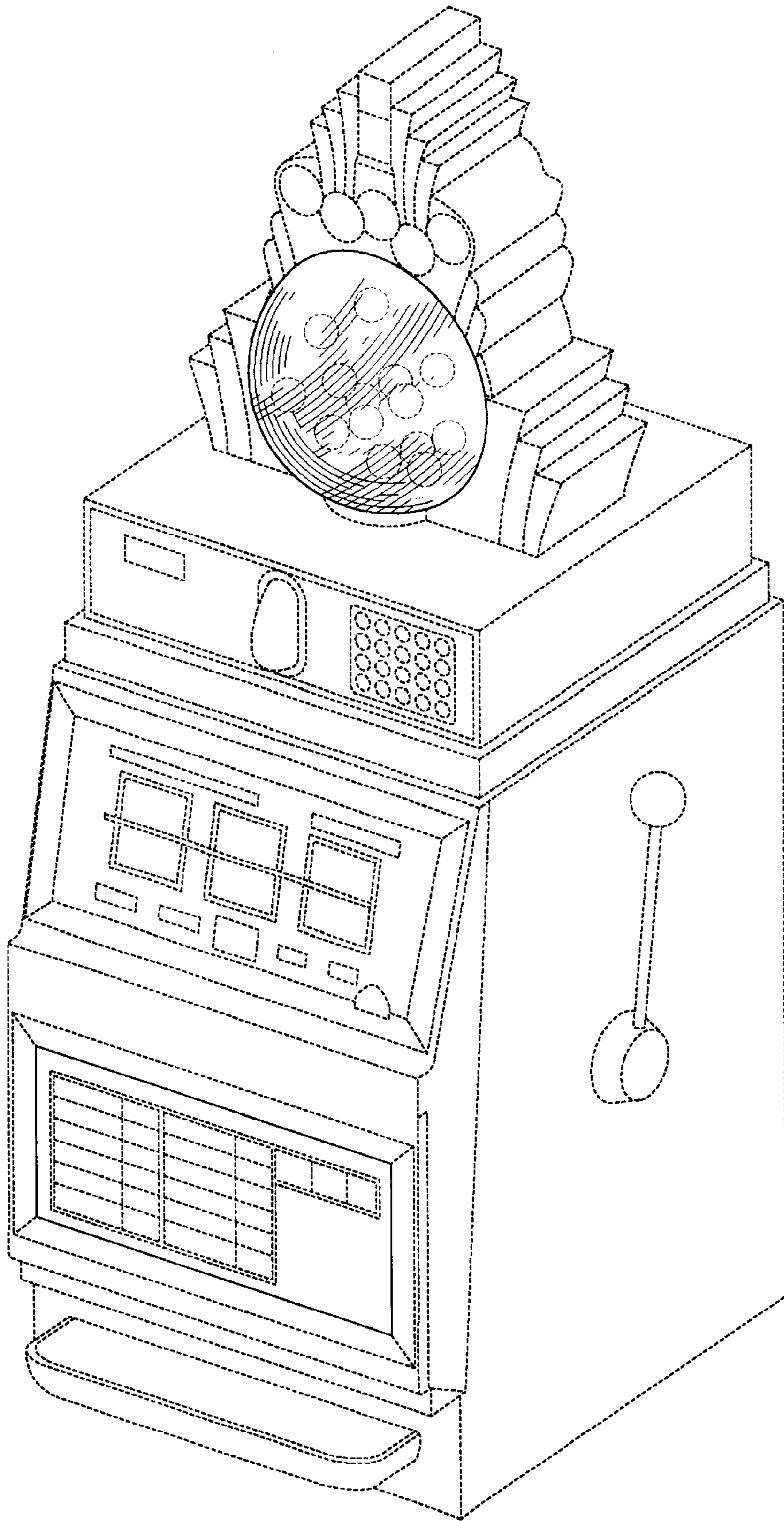


FIG. 1.

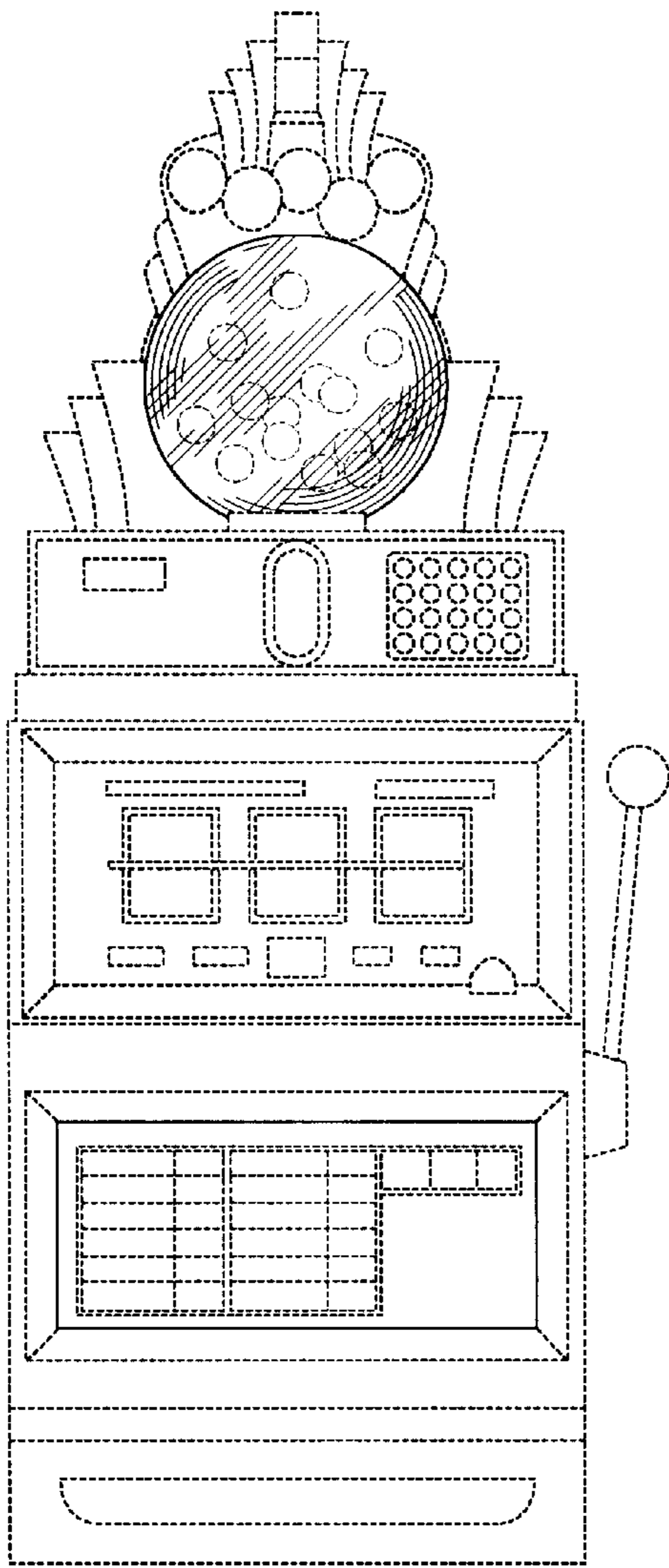


FIG. 2.

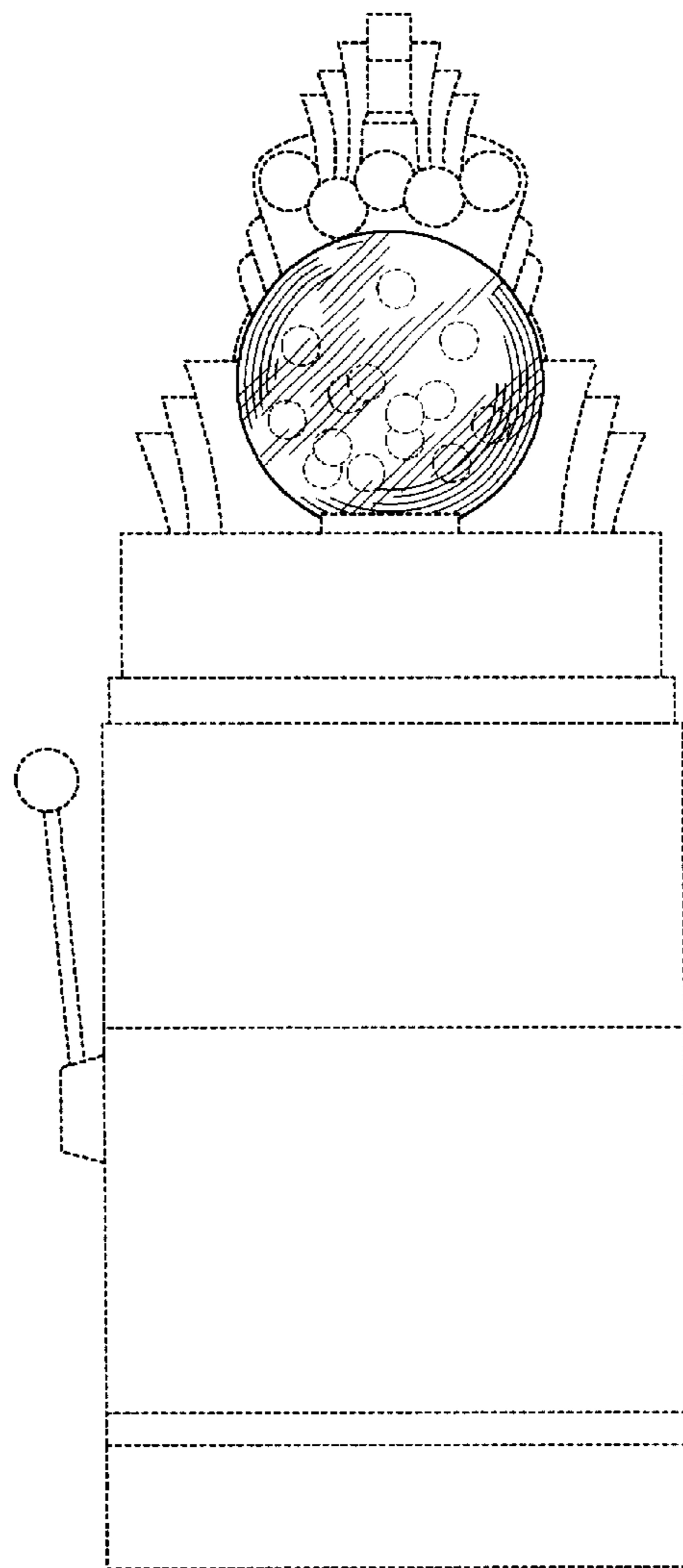


FIG. 3.

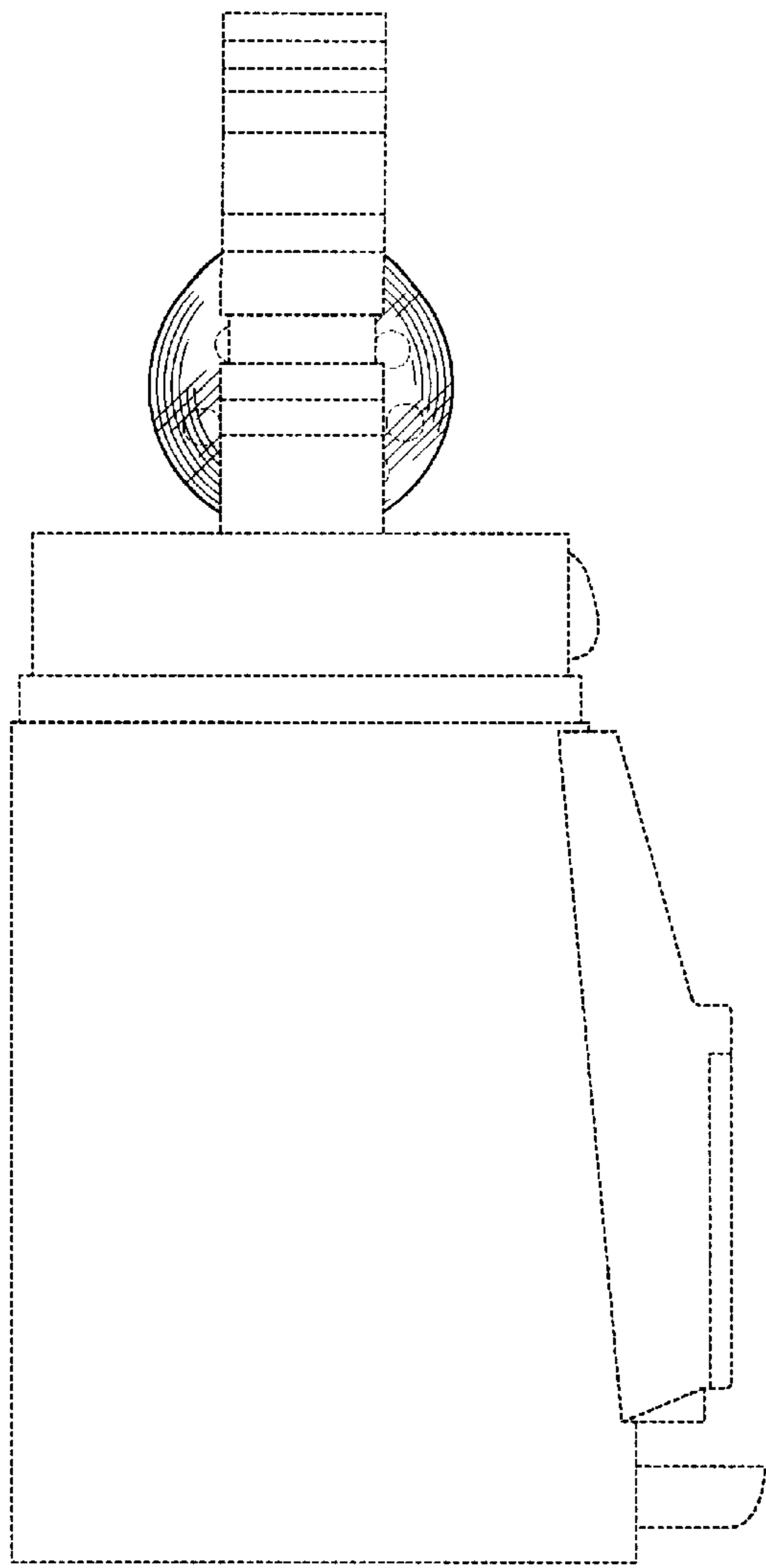


FIG. 4.

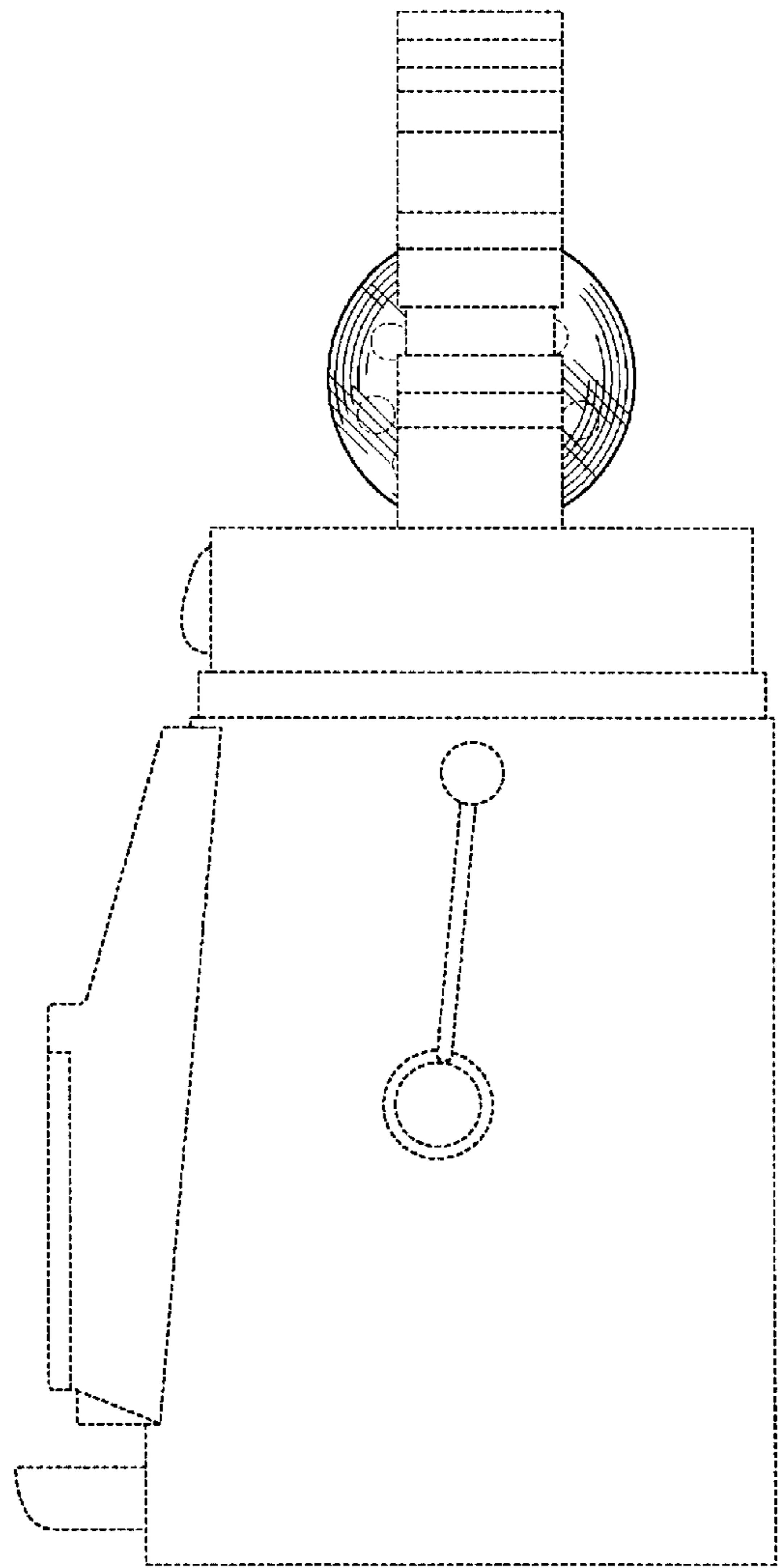


FIG. 6.

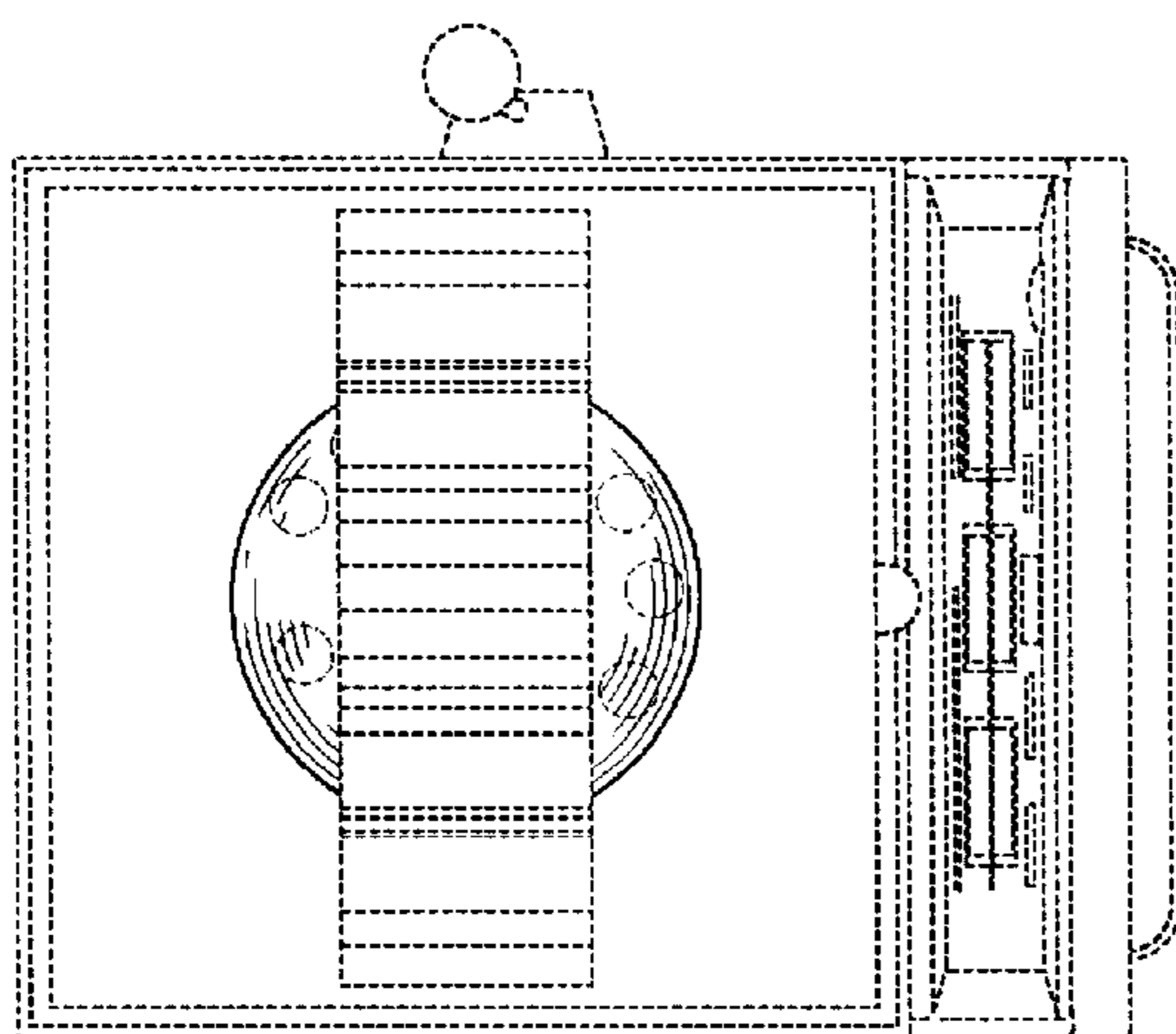


FIG. 5.