



US00D463504S

(12) **United States Design Patent**  
**Stephan**

(10) **Patent No.:** **US D463,504 S**

(45) **Date of Patent:** **\*\* Sep. 24, 2002**

(54) **WINGED GAME MACHINE CABINET**

D428,446 S \* 7/2000 Thomas ..... D21/325  
D428,935 S \* 8/2000 Thomas ..... D21/325

(75) Inventor: **Don Stephan**, Carson City, NV (US)

\* cited by examiner

(73) Assignee: **Konami Gaming, Inc.**, Las Vegas, NV (US)

*Primary Examiner*—Prabhakar Deshmukh  
(74) *Attorney, Agent, or Firm*—Sierra Patent Group, Ltd.

(\*\*) Term: **14 Years**

(57) **CLAIM**

(21) Appl. No.: **29/156,426**

The ornamental design for a winged game machine cabinet, as shown and described.

(22) Filed: **Feb. 27, 2002**

**DESCRIPTION**

**Related U.S. Application Data**

(62) Division of application No. 29/131,291, filed on Oct. 17, 2000.

(51) **LOC (7) Cl.** ..... **21-01**

(52) **U.S. Cl.** ..... **D21/325**

(58) **Field of Search** ..... D21/324, 325,  
D21/328, 369; 463/1-6, 36-38, 46, 47,  
49-53, 13-17; 345/156, 418, 419; 74/471 XY;  
273/148 B, 440, 459-461

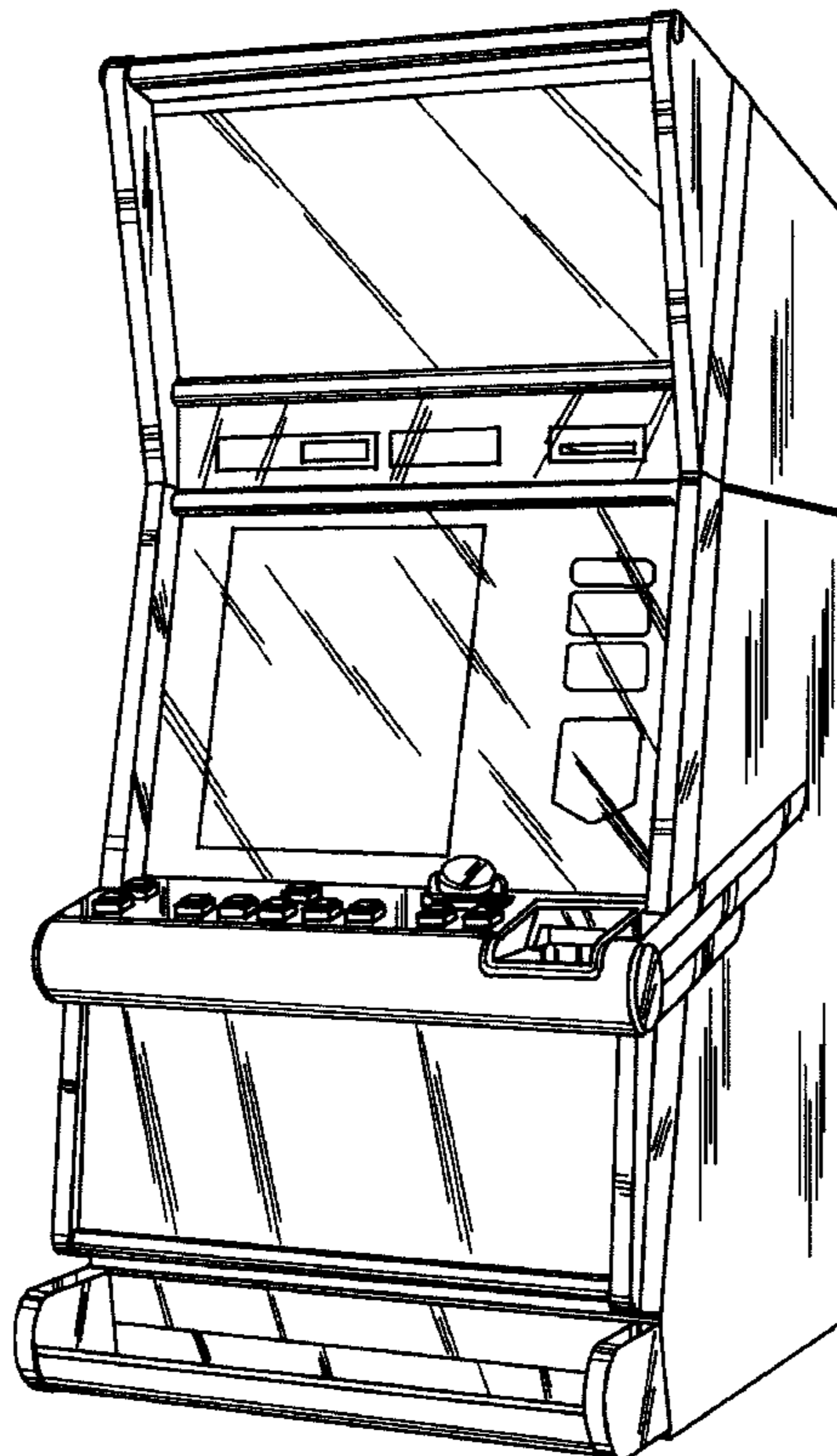
FIG. 1 is a perspective view of the winged gaming machine cabinet configured to display a horizontally oriented monitor;  
FIG. 2 is a perspective view of the winged gaming machine cabinet configured to display a vertically oriented monitor;  
FIG. 3 is a front view of the winged gaming machine cabinet;  
FIG. 4 is a left side view of the winged gaming machine cabinet;  
FIG. 5 is a top view of the winged gaming machine cabinet;  
FIG. 6 is a back view of the winged gaming machine cabinet;  
FIG. 7 is a right side view of the winged gaming machine cabinet; and,  
FIG. 8 is a bottom view of the winged gaming machine cabinet.

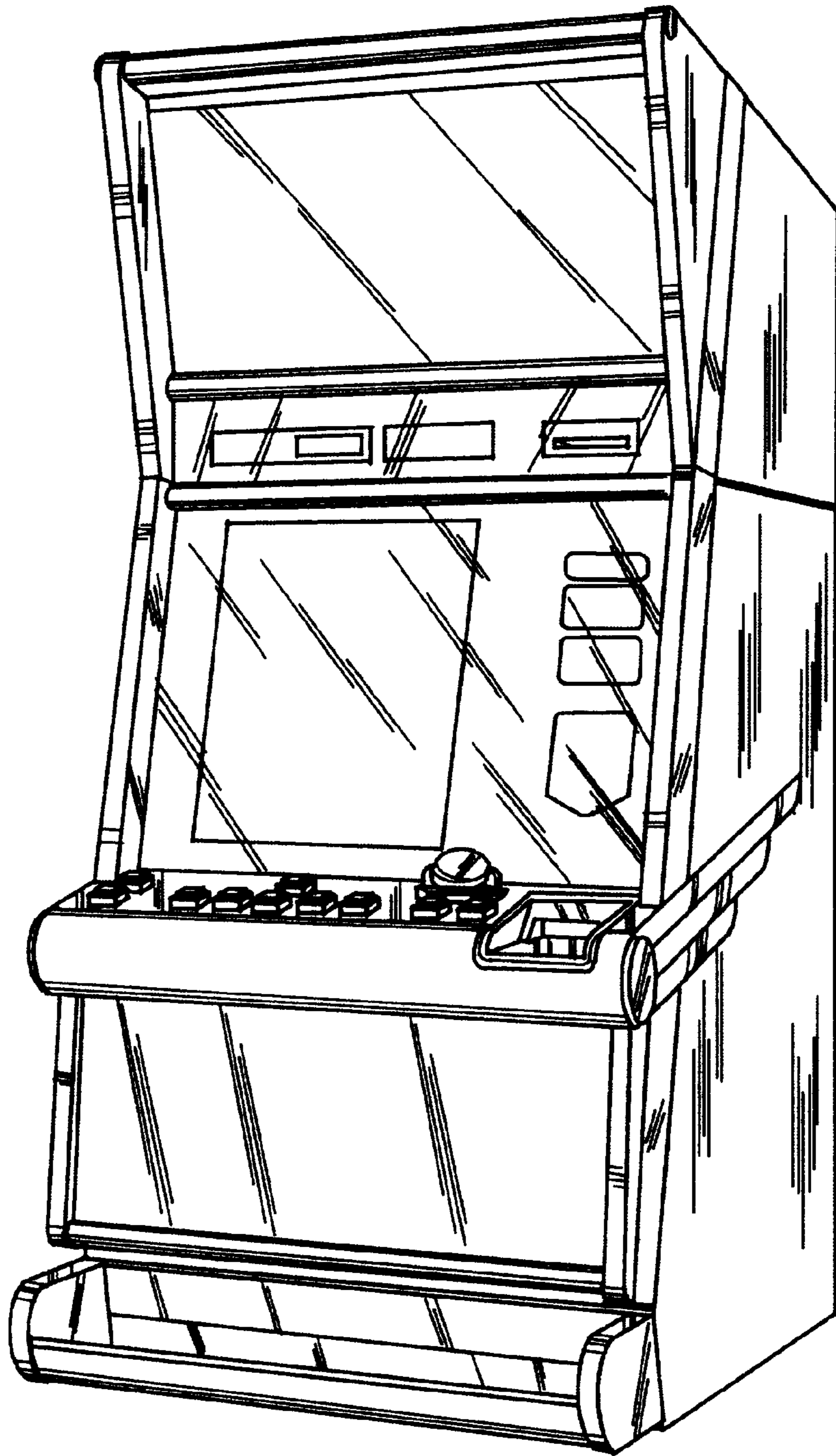
(56) **References Cited**

**U.S. PATENT DOCUMENTS**

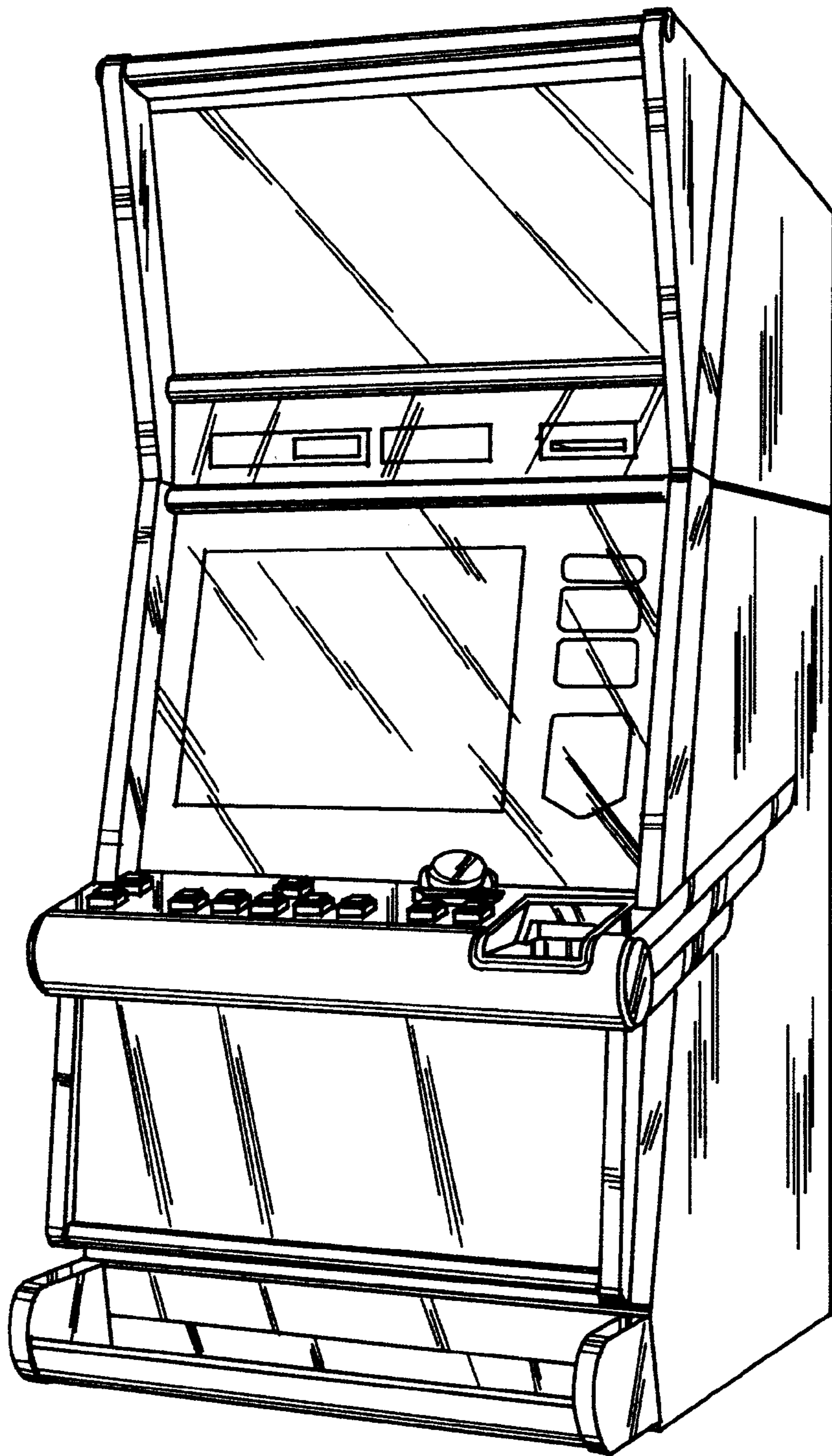
5,167,413 A \* 12/1992 Fulton ..... 273/274  
5,251,898 A \* 10/1993 Dickenson et al. .... 273/143 R  
D351,866 S \* 10/1994 Freels et al. .... D21/325  
5,820,460 A \* 10/1998 Fulton ..... 463/13  
D404,077 S \* 1/1999 Dickenson et al. .... D21/325

**1 Claim, 4 Drawing Sheets**



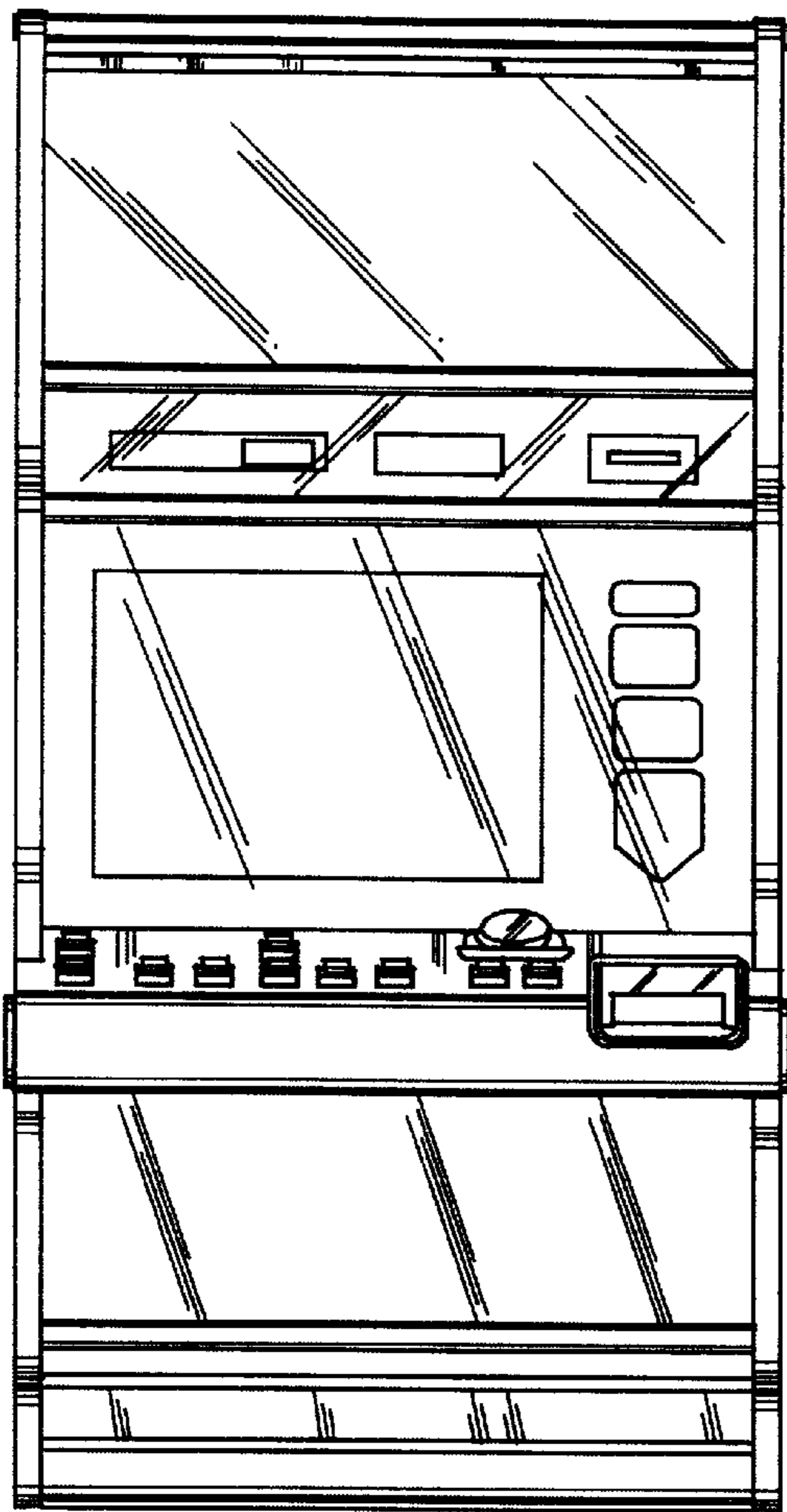


*Fig. 1*

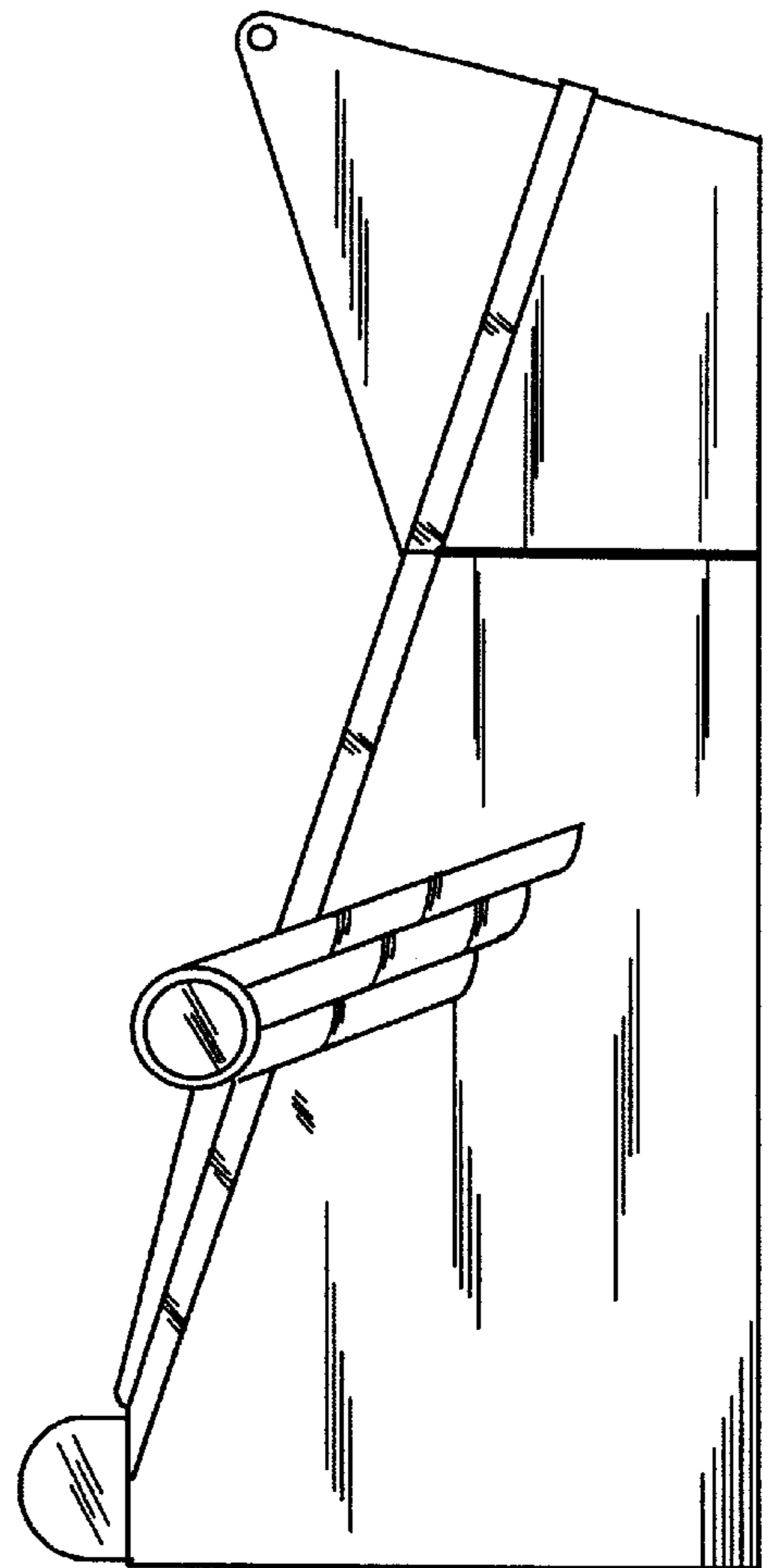


*Fig. 2*

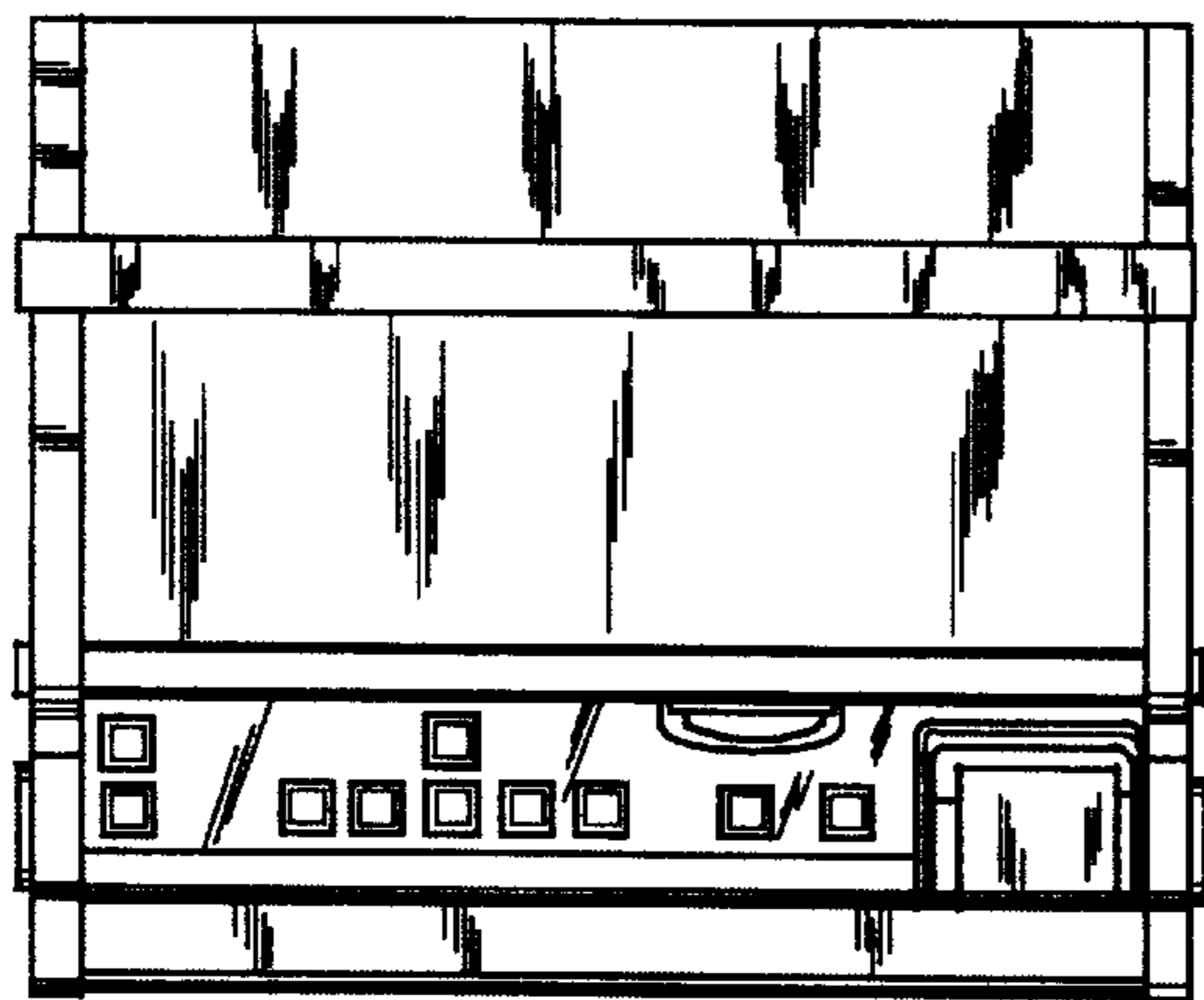




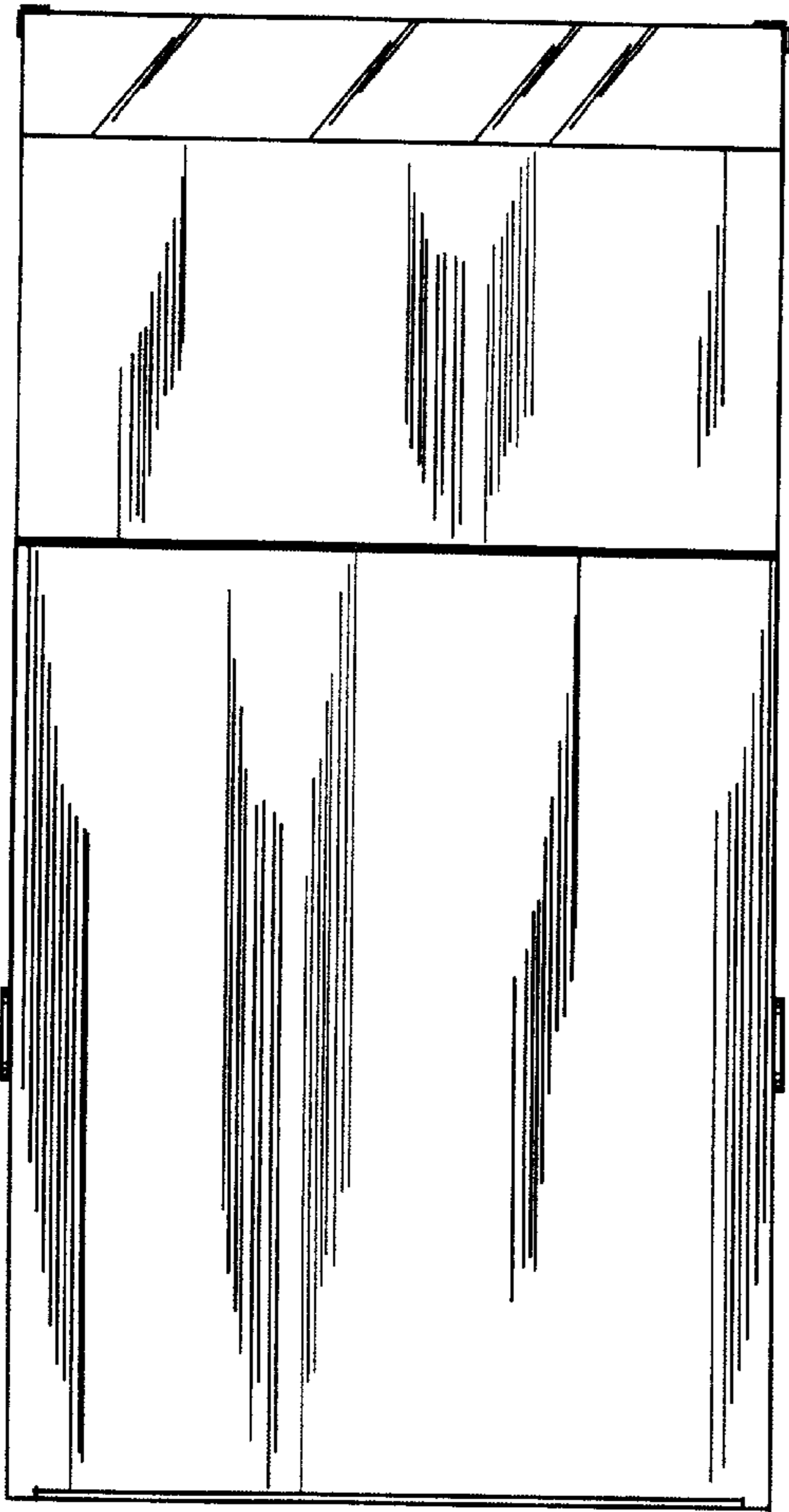
*Fig. 3*



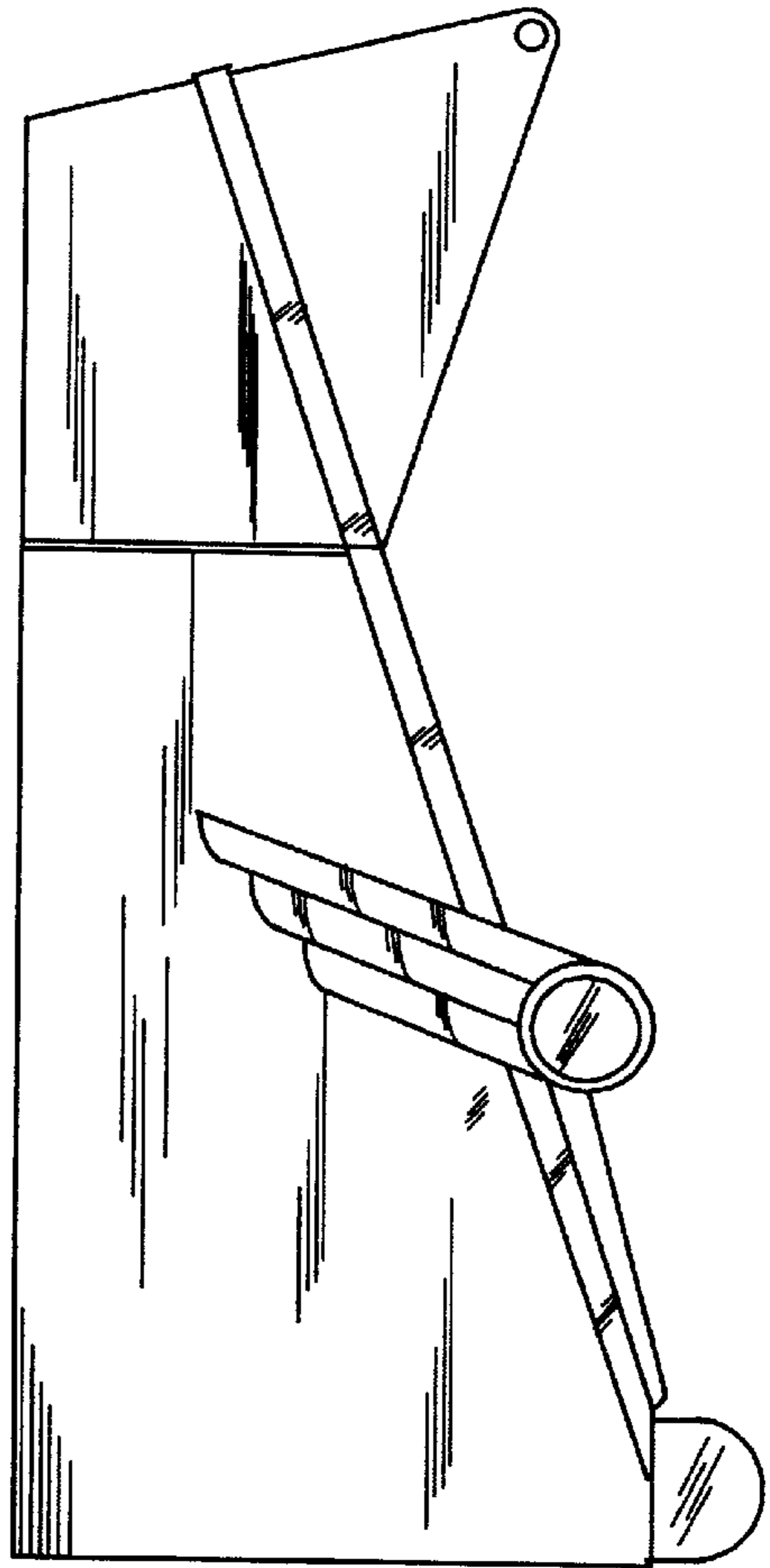
*Fig. 4*



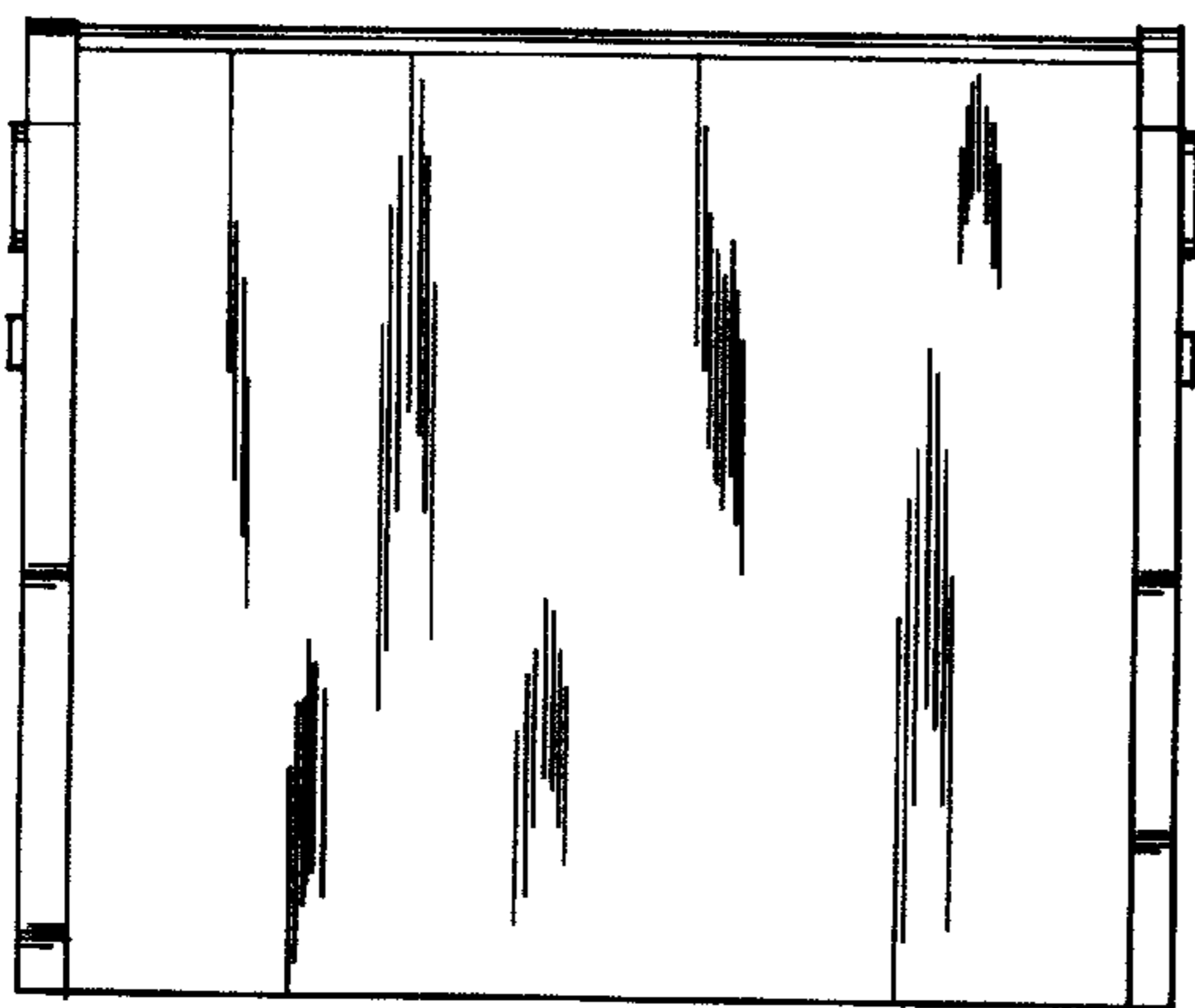
*Fig. 5*



*Fig. 6*



*Fig. 7*



*Fig. 8*