



US00D463501S

(12) **United States Design Patent** (10) **Patent No.:** **US D463,501 S**  
**Isetani et al.** (45) **Date of Patent:** **\*\* Sep. 24, 2002**

(54) **OPERATING APPARATUS FOR GAME MACHINE**

(75) Inventors: **Yoshitsugu Isetani**, Tokyo (JP); **Akihisa Yamashita**, Tokyo (JP); **Hideki Kotani**, Tokyo (JP)

(73) Assignee: **Konami Corporation**, Tokyo (JP)

(\*\*) Term: **14 Years**

(21) Appl. No.: **29/148,973**

(22) Filed: **Sep. 28, 2001**

(30) **Foreign Application Priority Data**

Mar. 29, 2001 (JP) ..... 2001-009027

(51) **LOC (7) Cl.** ..... **21-01**

(52) **U.S. Cl.** ..... **D21/324; D21/333**

(58) **Field of Search** ..... **D21/324-333; 273/148 B; 463/1, 29-35, 46, 47; 345/156-161**

(56) **References Cited**

**U.S. PATENT DOCUMENTS**

D259,267 S \* 5/1981 Heuel et al. .... D21/328  
5,232,223 A \* 8/1993 Dornbusch ..... 463/37

D371,165 S \* 6/1996 Stambolic et al. .... D21/329  
5,685,776 A \* 11/1997 Stambolic et al. .... 463/46  
D413,358 S \* 8/1999 McDonald et al. .... D21/324  
D423,599 S \* 4/2000 Yeung ..... D21/324  
6,086,478 A \* 7/2000 Klitsner et al. .... 463/46  
6,210,278 B1 \* 4/2001 Klitsner ..... 463/46

\* cited by examiner

*Primary Examiner*—Prabhakar Deshmukh

(74) *Attorney, Agent, or Firm*—Jordan and Hamburg LLP

(57) **CLAIM**

The ornamental design for an operating apparatus for game machine, as shown and described.

**DESCRIPTION**

FIG. 1 is a perspective view of an operating apparatus for game machine;  
FIG. 2 is a front view thereof;  
FIG. 3 is a rear view thereof;  
FIG. 4 is a right side view thereof;  
FIG. 5 is a left side view thereof;  
FIG. 6 is a top view thereof; and,  
FIG. 7 is a bottom view thereof.

**1 Claim, 2 Drawing Sheets**

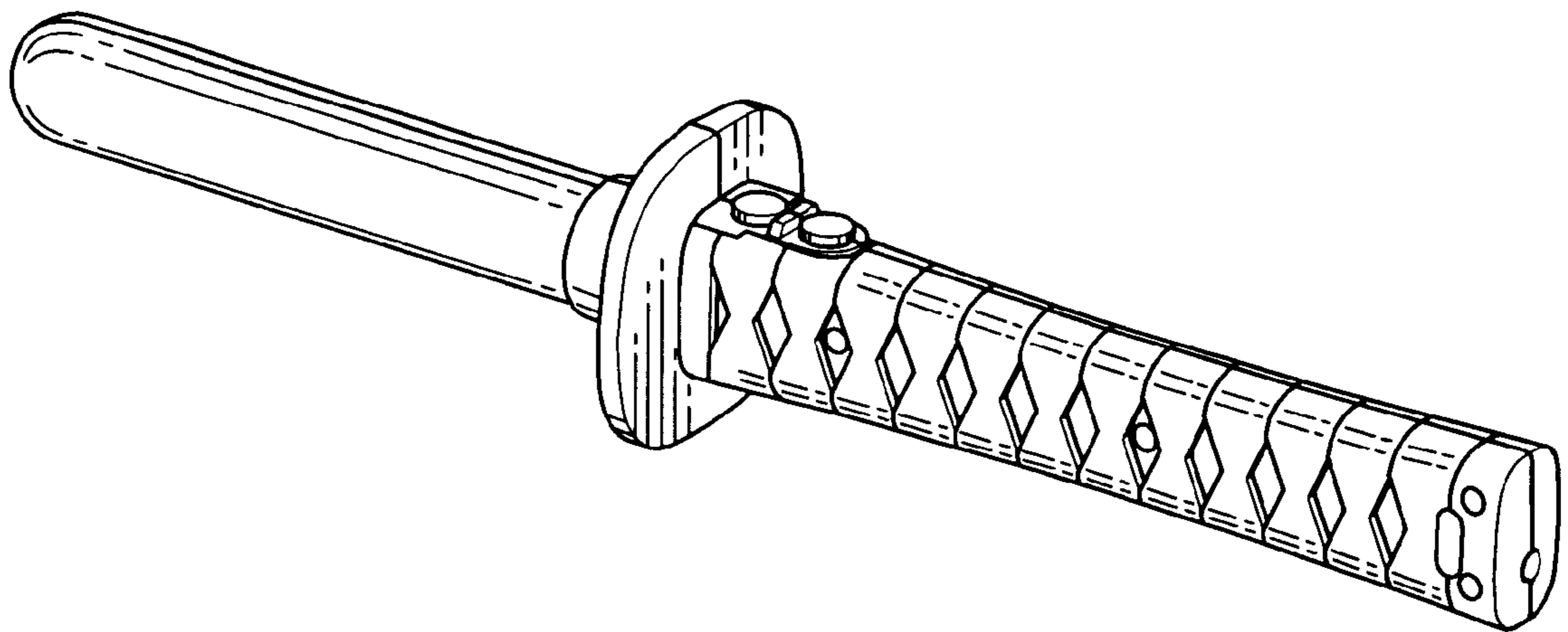


FIG. 1

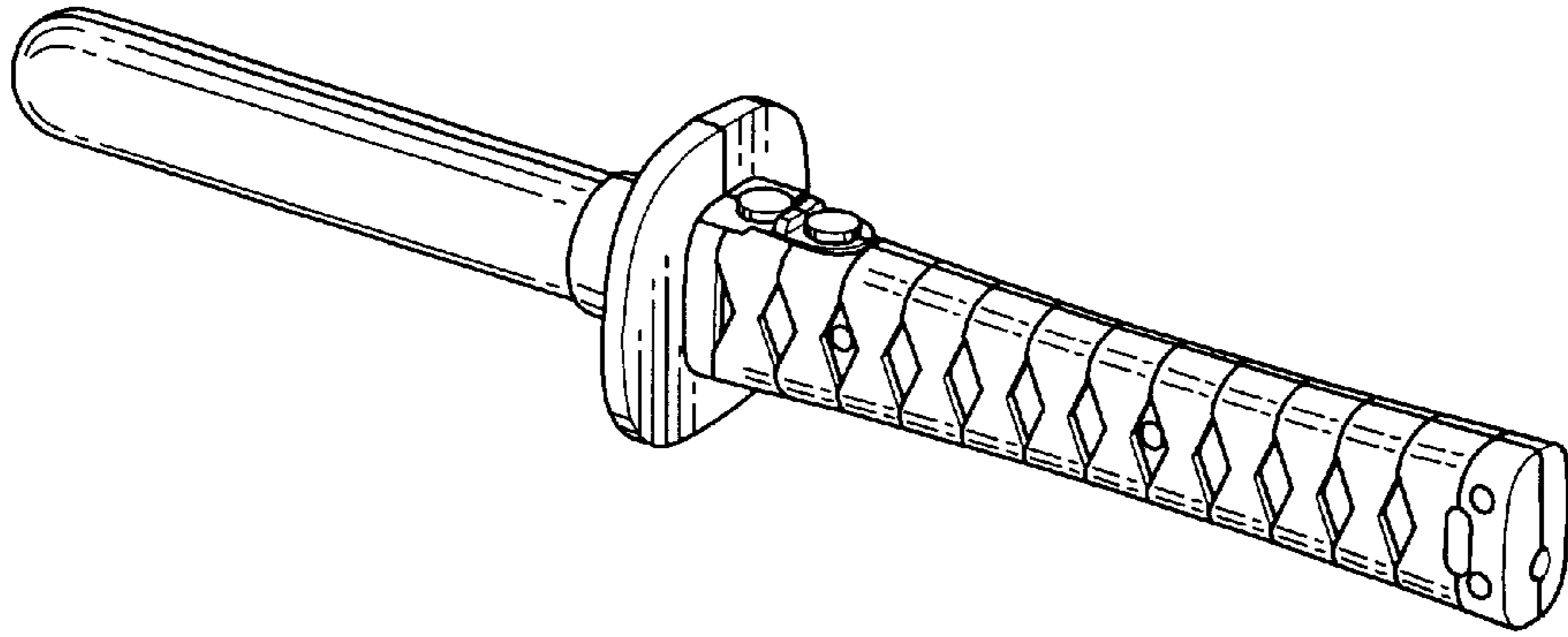


FIG. 2

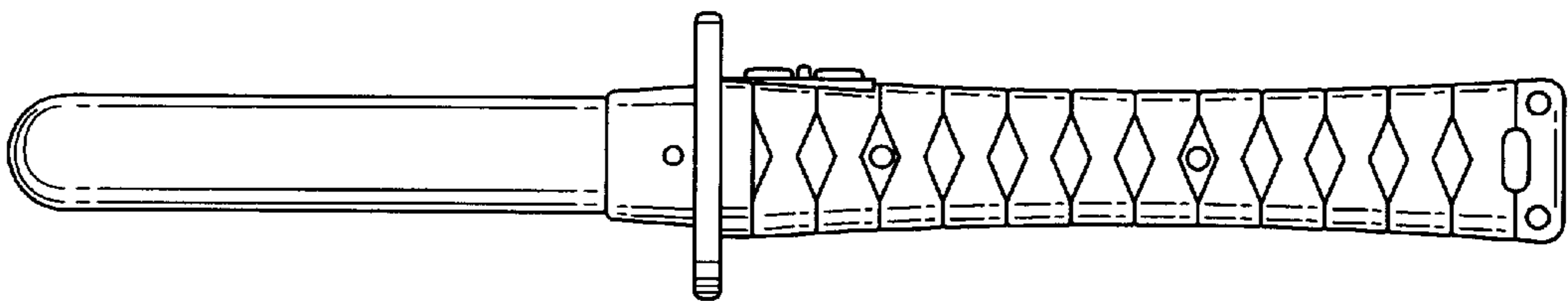


FIG. 3

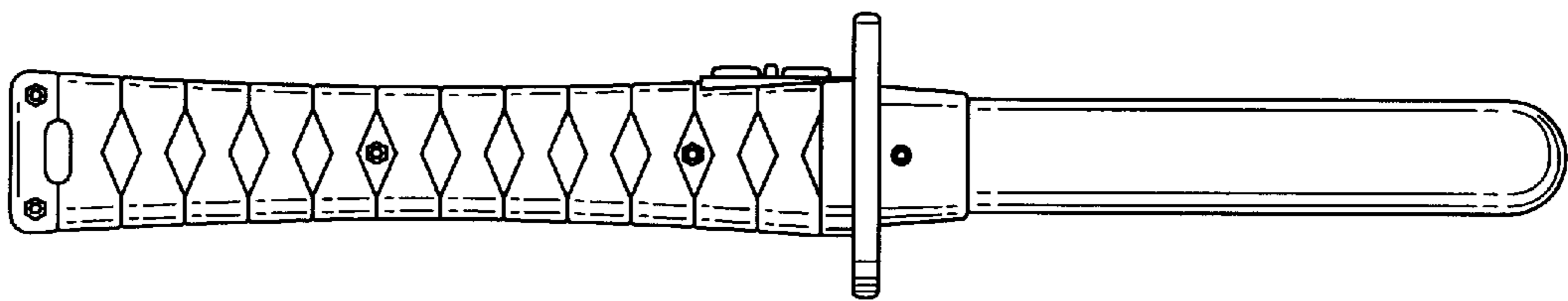


FIG. 4

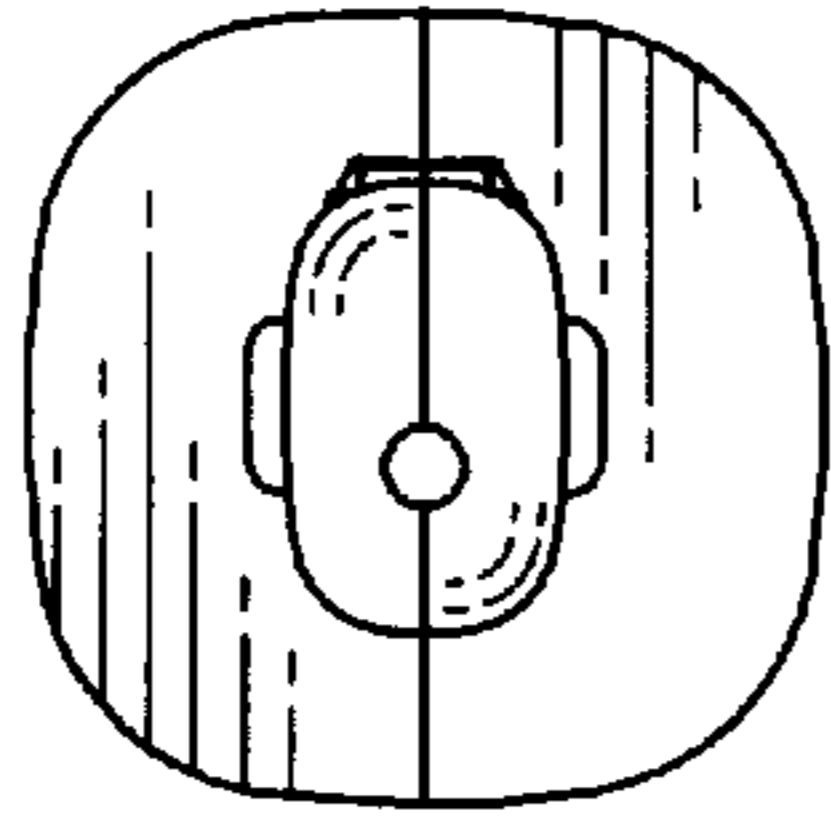


FIG. 5

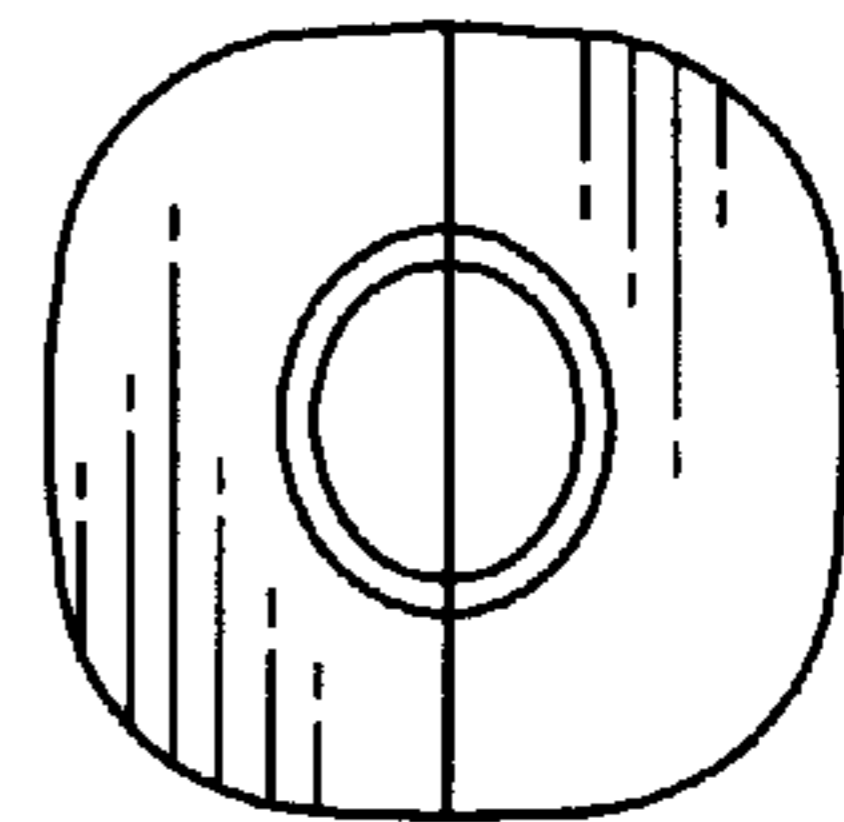


FIG. 6

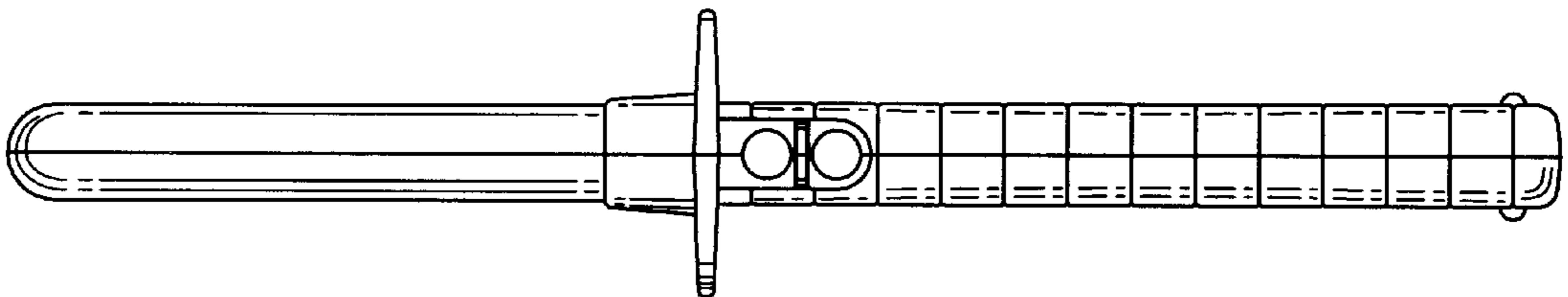


FIG. 7

