



US00D463498S

(12) **United States Design Patent**  
**Breche**

(10) **Patent No.: US D463,498 S**

(45) **Date of Patent: \*\* \*Sep. 24, 2002**

(54) **PAPER PUNCH**

(75) **Inventor: Catherine Breche, Meythet (FR)**

(73) **Assignee: Manufacture d'Articles de Precision et de Dessin - M.A.P.E.D. (FR)**

(\* ) **Notice:** This patent is subject to a terminal disclaimer.

(\*\* ) **Term:** 14 Years

(21) **Appl. No.:** 29/144,348

(22) **Filed:** Jun. 28, 2001

(30) **Foreign Application Priority Data**

Jan. 8, 2001 (XH) ..... DM/054 598

(51) **LOC (7) Cl. .... 19-02**

(52) **U.S. Cl. .... D19/72**

(58) **Field of Search** ..... D19/65, 72, 95,  
D19/99, 100; 30/358, 363; 83/167, 560,  
582, 588, 618, 627, 633

(56) **References Cited**

**U.S. PATENT DOCUMENTS**

766,388 A \* 8/1904 Robertson ..... 83/582

D373,385 S \* 9/1996 Birkholz ..... D19/65  
5,601,006 A \* 2/1997 Quinn et al. .... 83/588  
D393,657 S \* 4/1998 Bennett ..... D19/65  
D407,752 S \* 4/1999 Kim et al. .... D19/65  
D420,049 S \* 2/2000 Robillard ..... D19/65

\* cited by examiner

*Primary Examiner*—Doris V. Coles

*Assistant Examiner*—Elizabeth A. Albert

(74) *Attorney, Agent, or Firm*—Cantor Colburn LLP

(57) **CLAIM**

The ornamental design for a paper punch, as shown and described.

**DESCRIPTION**

FIG. 1 is a top, front and side perspective view of a paper punch, showing my new design;

FIG. 2 is a top, rear and side perspective view thereof;

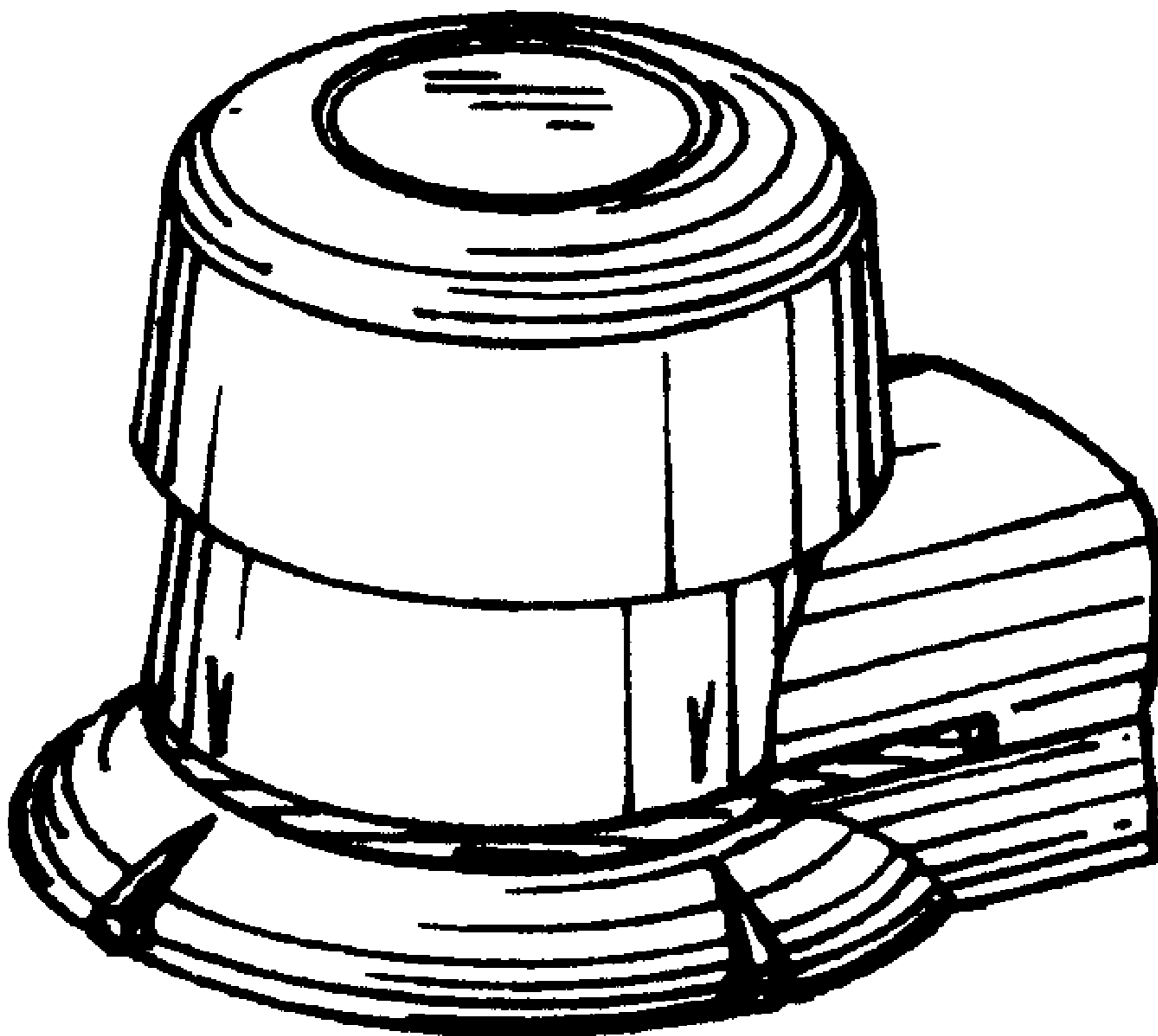
FIG. 3 is a side elevational view thereof, the opposite side being a mirror image thereof;

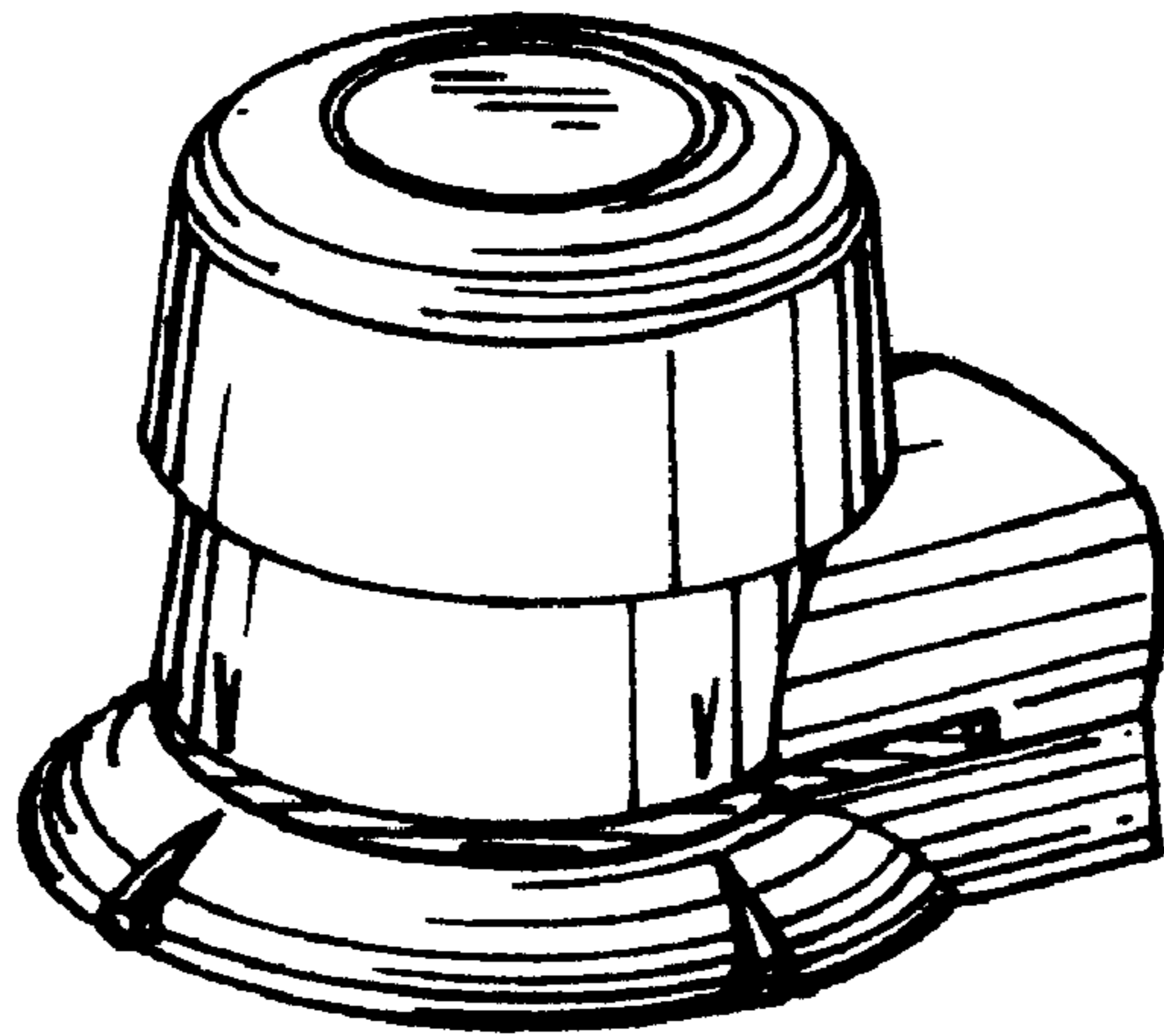
FIG. 4 is a top plan view thereof;

FIG. 5 is a front elevational view thereof; and,

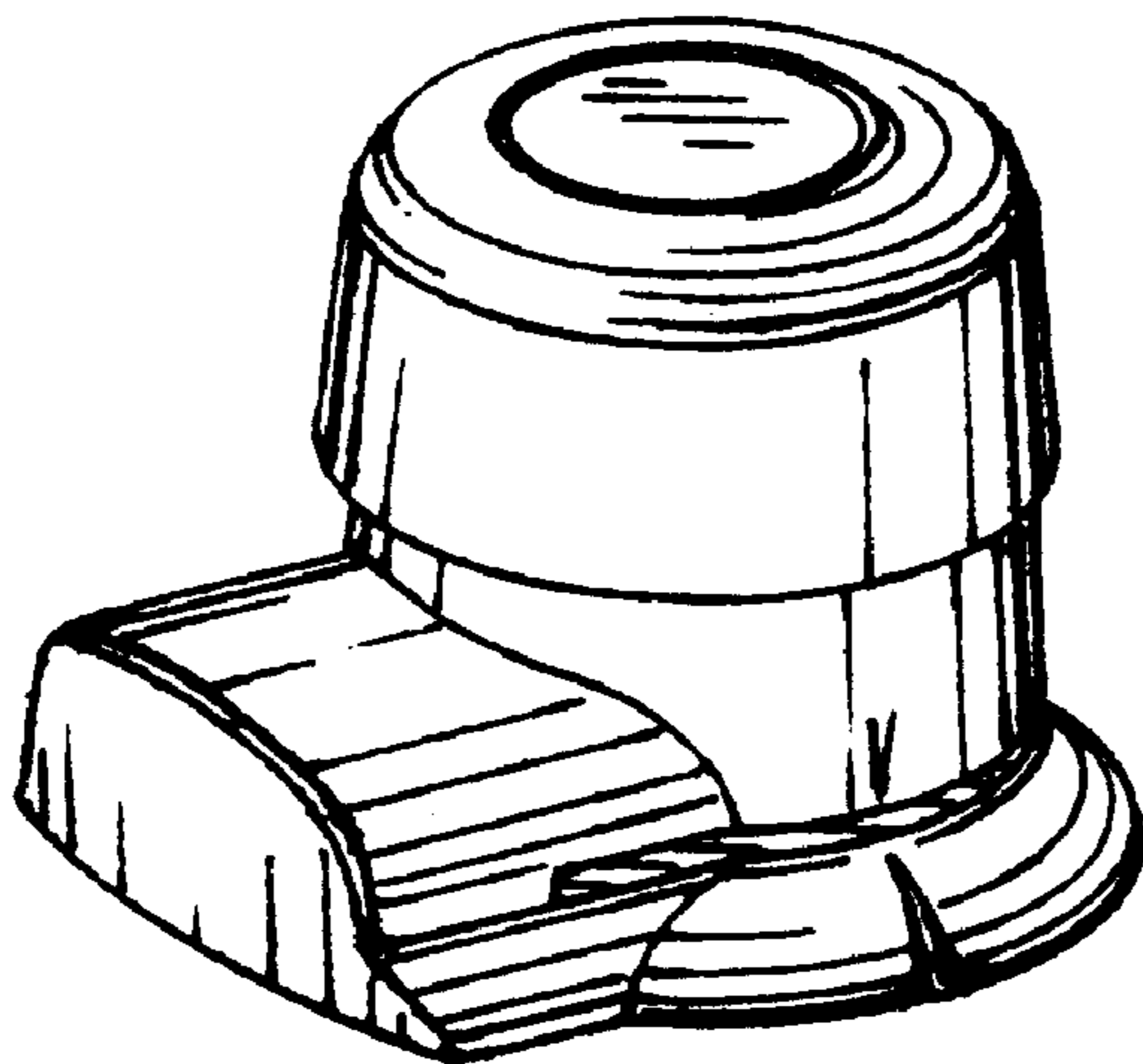
FIG. 6 is a rear elevational view thereof.

**1 Claim, 2 Drawing Sheets**

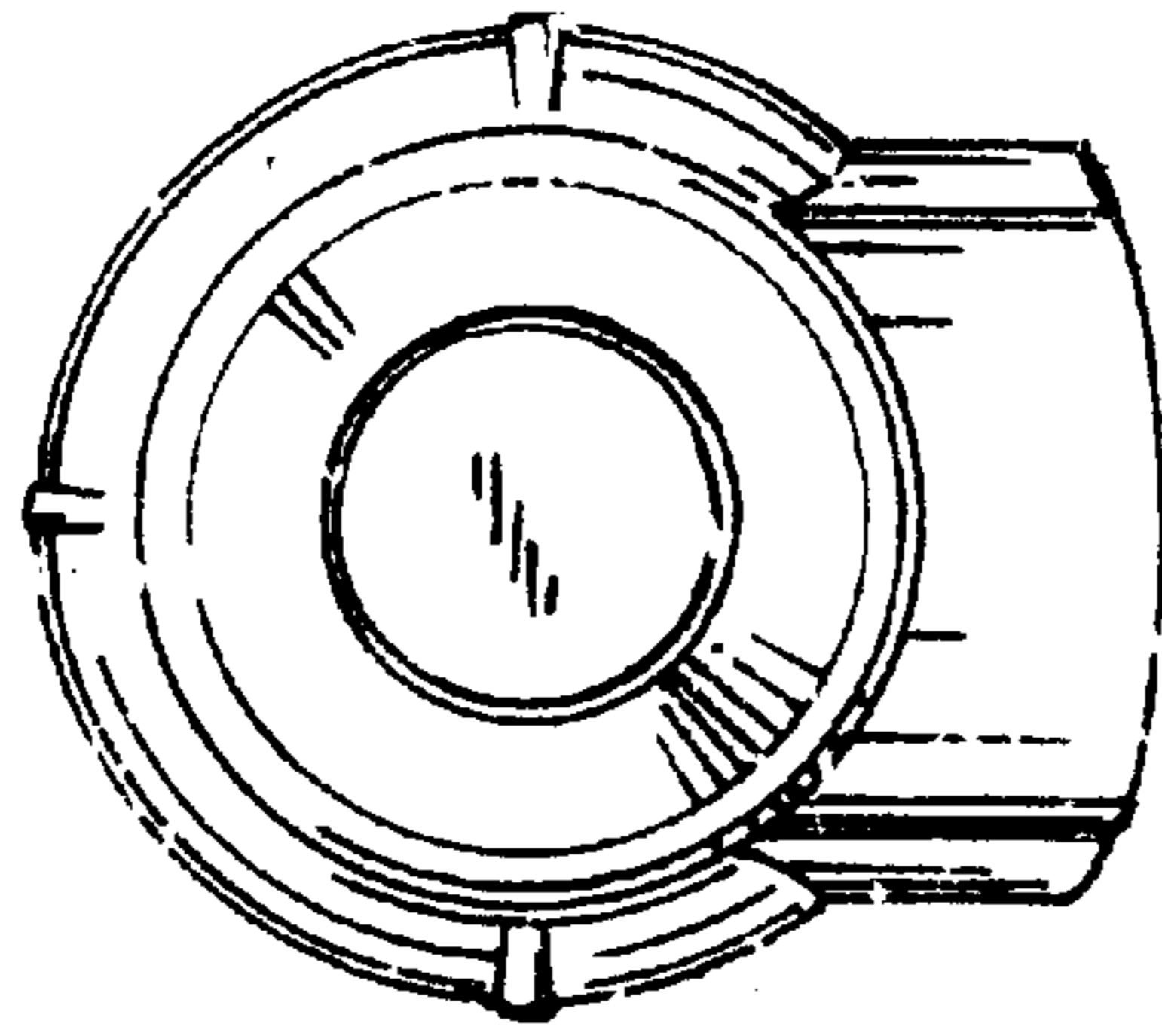




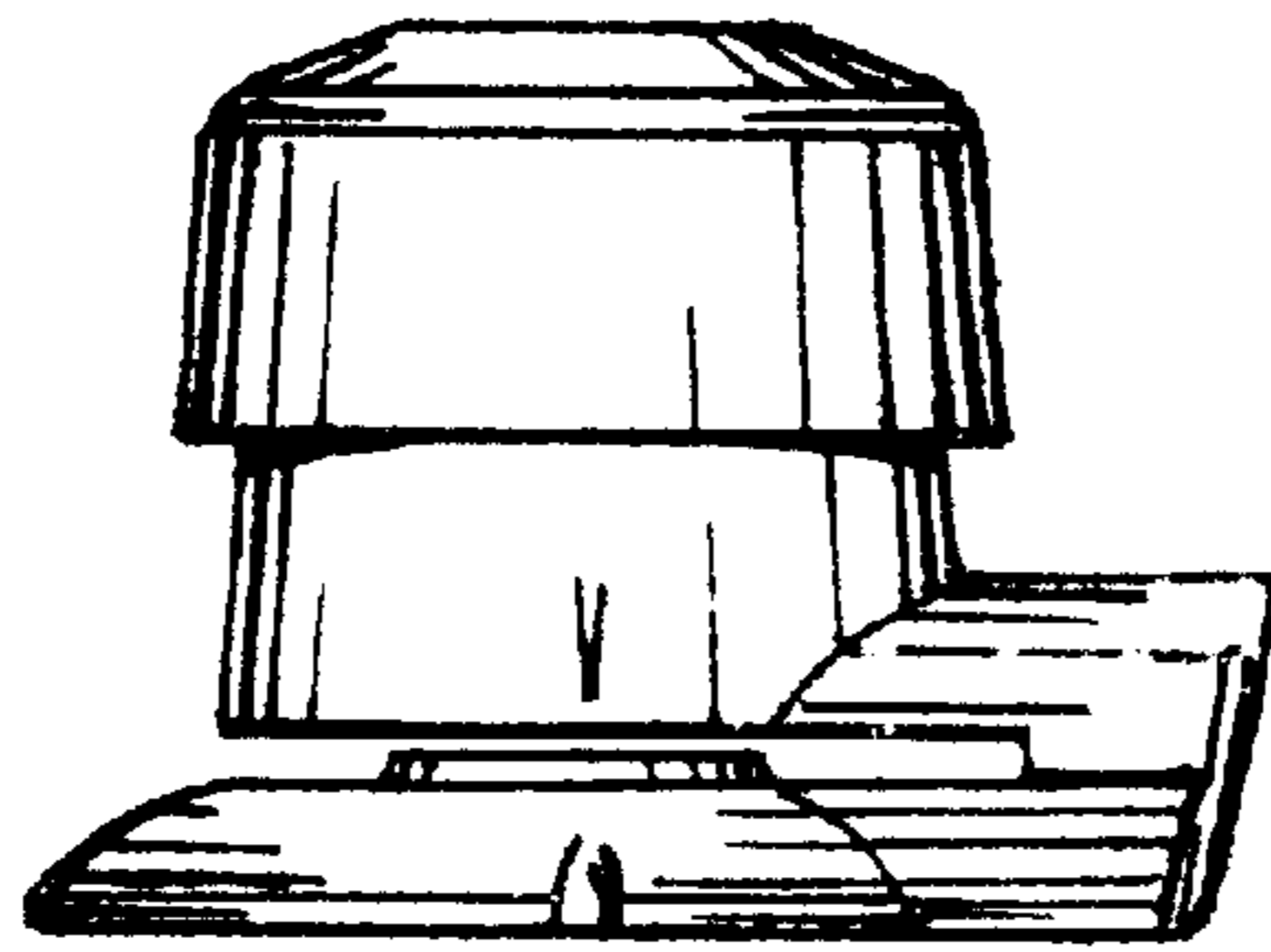
*FIG. 1*



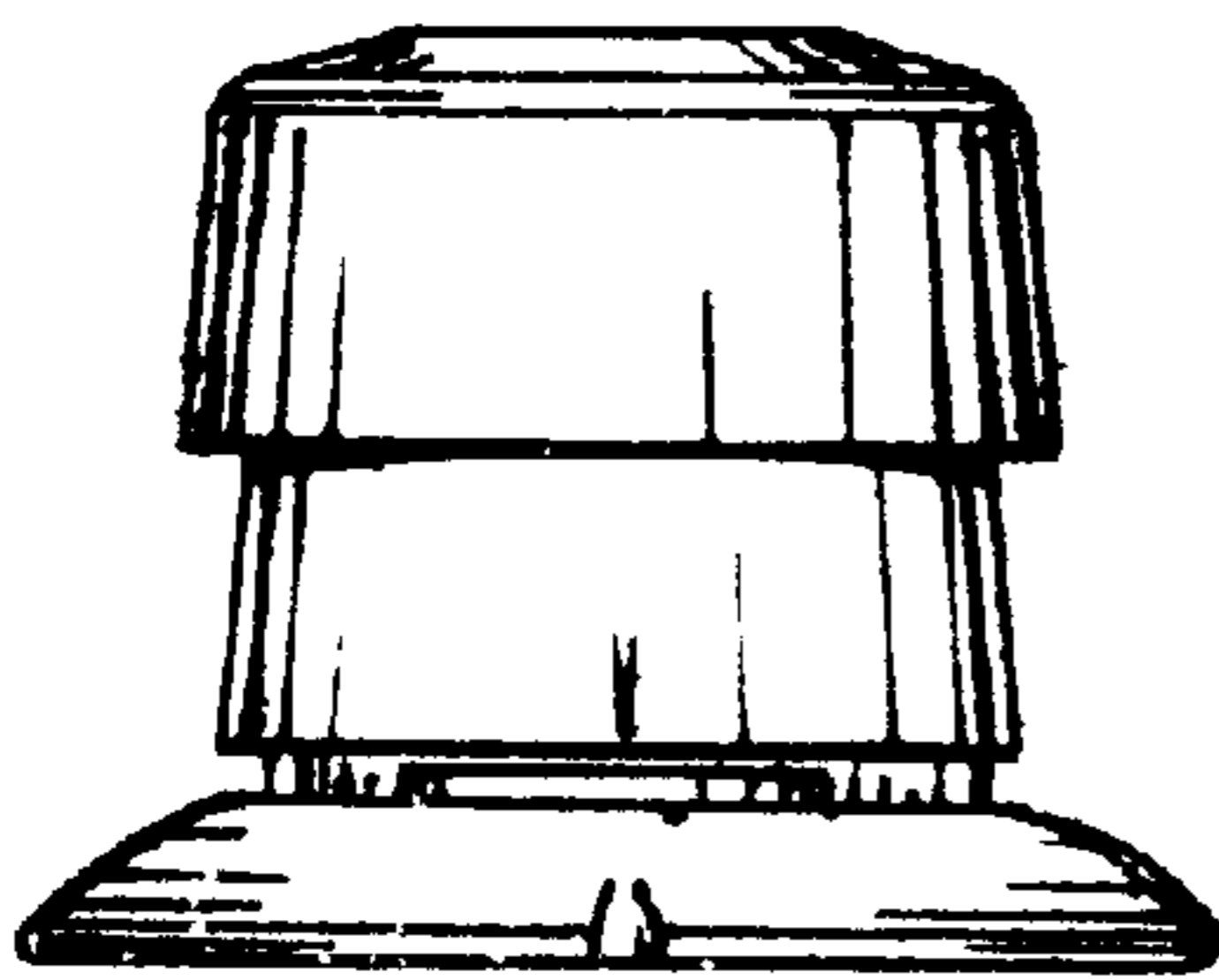
*FIG. 2*



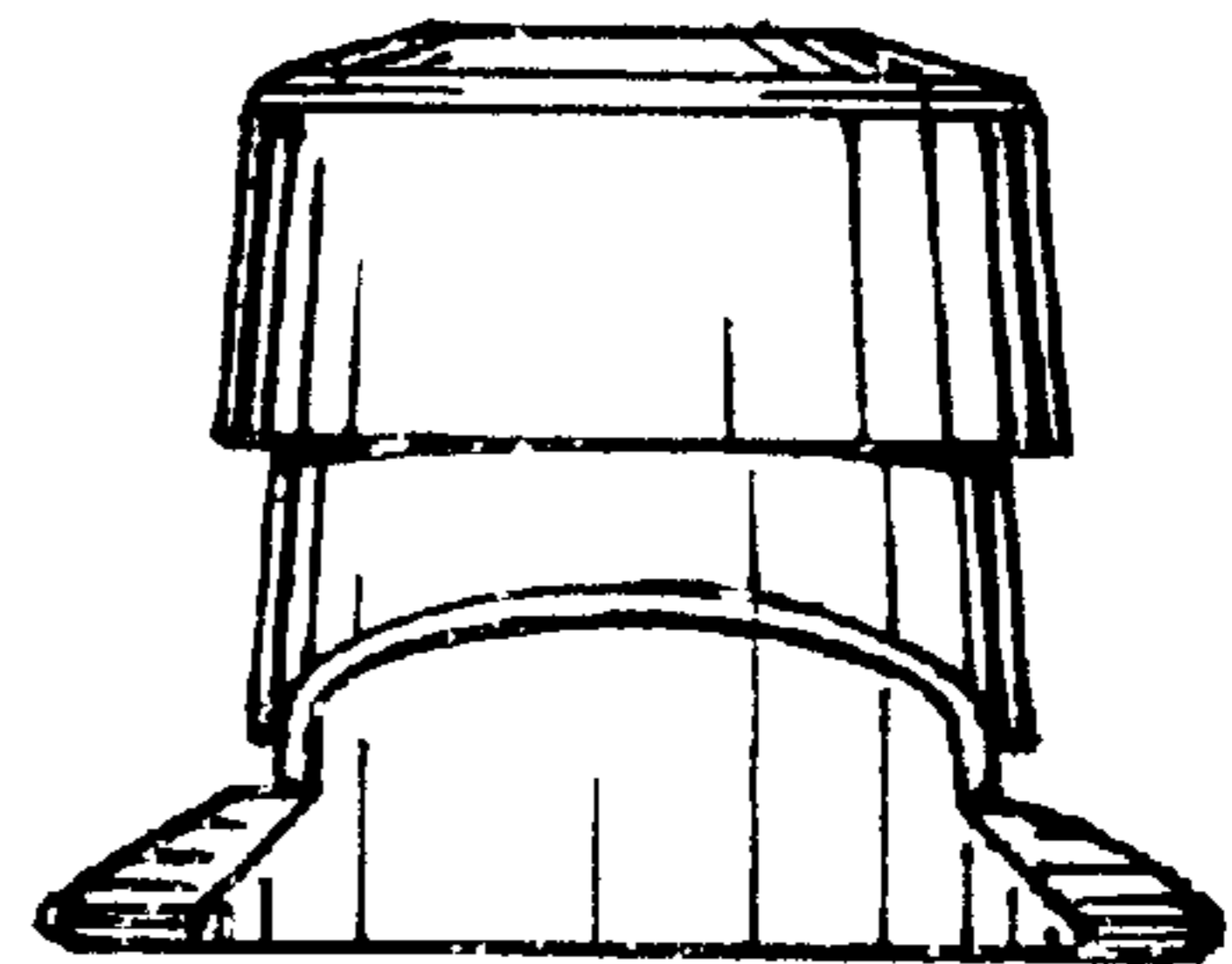
*FIG. 4*



*FIG. 3*



*FIG. 5*



*FIG. 6*