



US00D463497S

(12) **United States Design Patent**
Breche

(10) **Patent No.: US D463,497 S**

(45) **Date of Patent: ** Sep. 24, 2002**

(54) **PAPER PUNCH**

(75) Inventor: **Catherine Breche, Meythet (FR)**

(73) Assignee: **Manufacture d'Articles de Precision et de Dessin-M.A.P.E.D. (FR)**

(*) Notice: This patent is subject to a terminal disclaimer.

(**) Term: **14 Years**

(21) Appl. No.: **29/144,250**

(22) Filed: **Jun. 28, 2001**

(30) **Foreign Application Priority Data**

Jan. 8, 2001 (XH) DM/054 598

(51) **LOC (7) Cl. 19-02**

(52) **U.S. Cl. D19/72**

(58) **Field of Search** D19/65, 72, 95,
D19/99, 100; 30/358, 363; 83/167, 560,
582, 588, 618, 627, 633

(56) **References Cited**

U.S. PATENT DOCUMENTS

766,388 A * 8/1904 Robertson 83/582

D373,385 S * 9/1996 Birkholz D19/65
5,601,006 A * 2/1997 Quinn et al. 83/588
D393,657 S * 4/1998 Bennett D19/65
D407,752 S * 4/1999 Kim et al. D19/65
D420,049 S * 2/2000 Robillard D19/65

* cited by examiner

Primary Examiner—Doris V. Coles

Assistant Examiner—Elizabeth A. Albert

(74) *Attorney, Agent, or Firm*—Cantor Colburn LLP

(57) **CLAIM**

The ornamental design for a paper punch, as shown and described.

DESCRIPTION

FIG. 1 is a top, front and side perspective view of a paper punch, showing my new design;

FIG. 2 is a top, rear and side perspective view thereof;

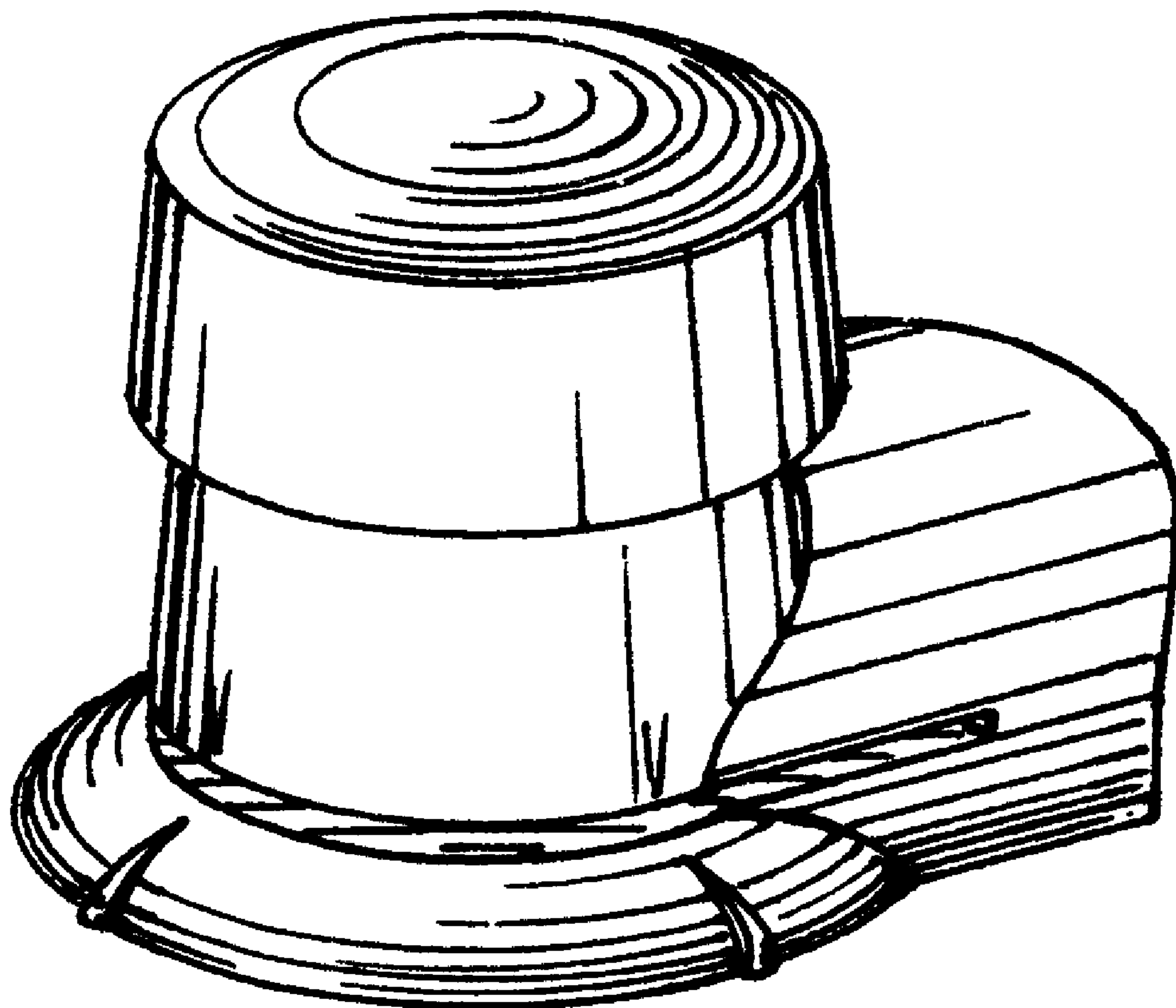
FIG. 3 is a side elevational view thereof, the opposite side being a mirror image thereof;

FIG. 4 is a top plan view thereof;

FIG. 5 is a front elevational view thereof; and,

FIG. 6 is a rear elevational view thereof.

1 Claim, 2 Drawing Sheets



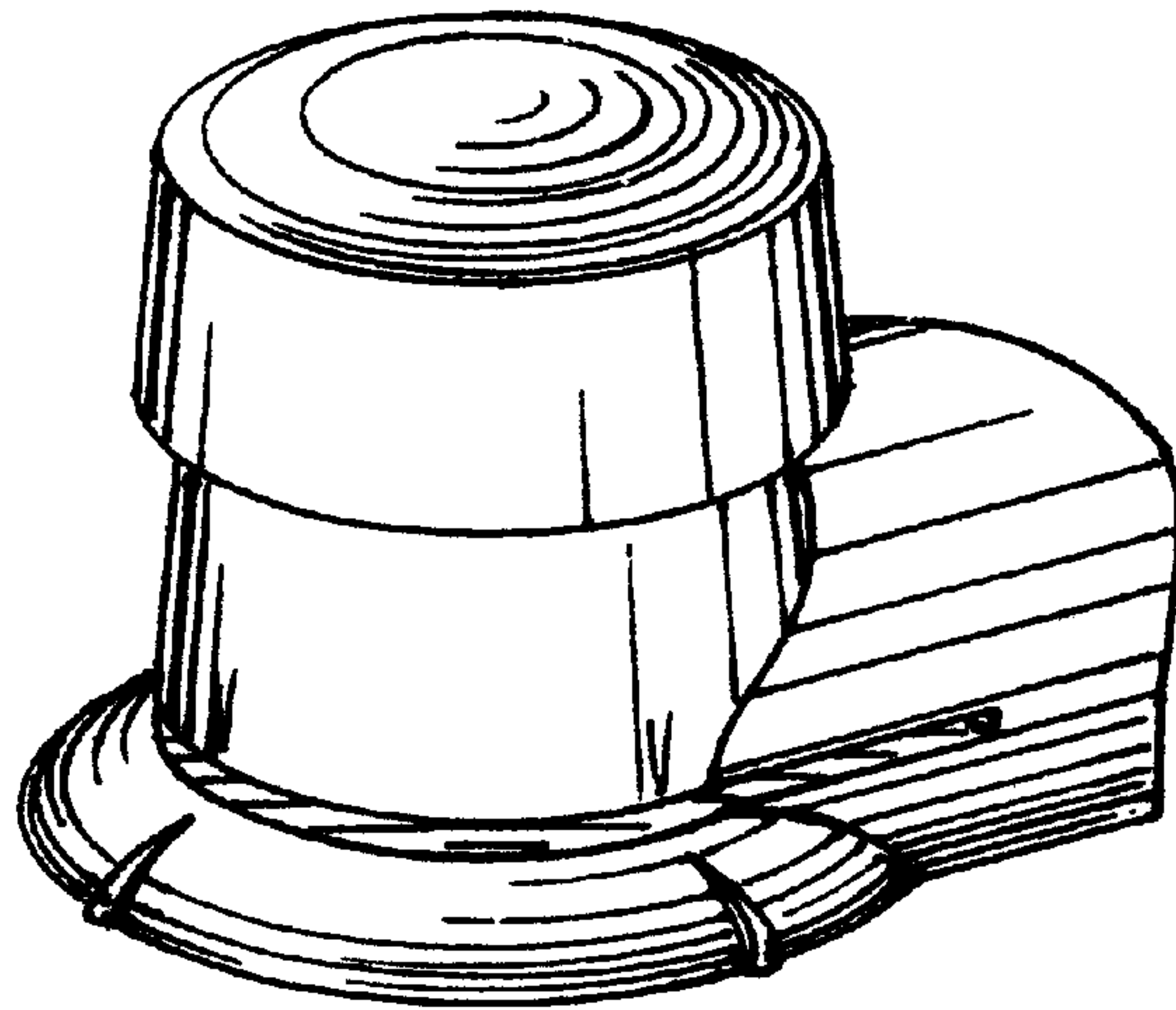


FIG. 1

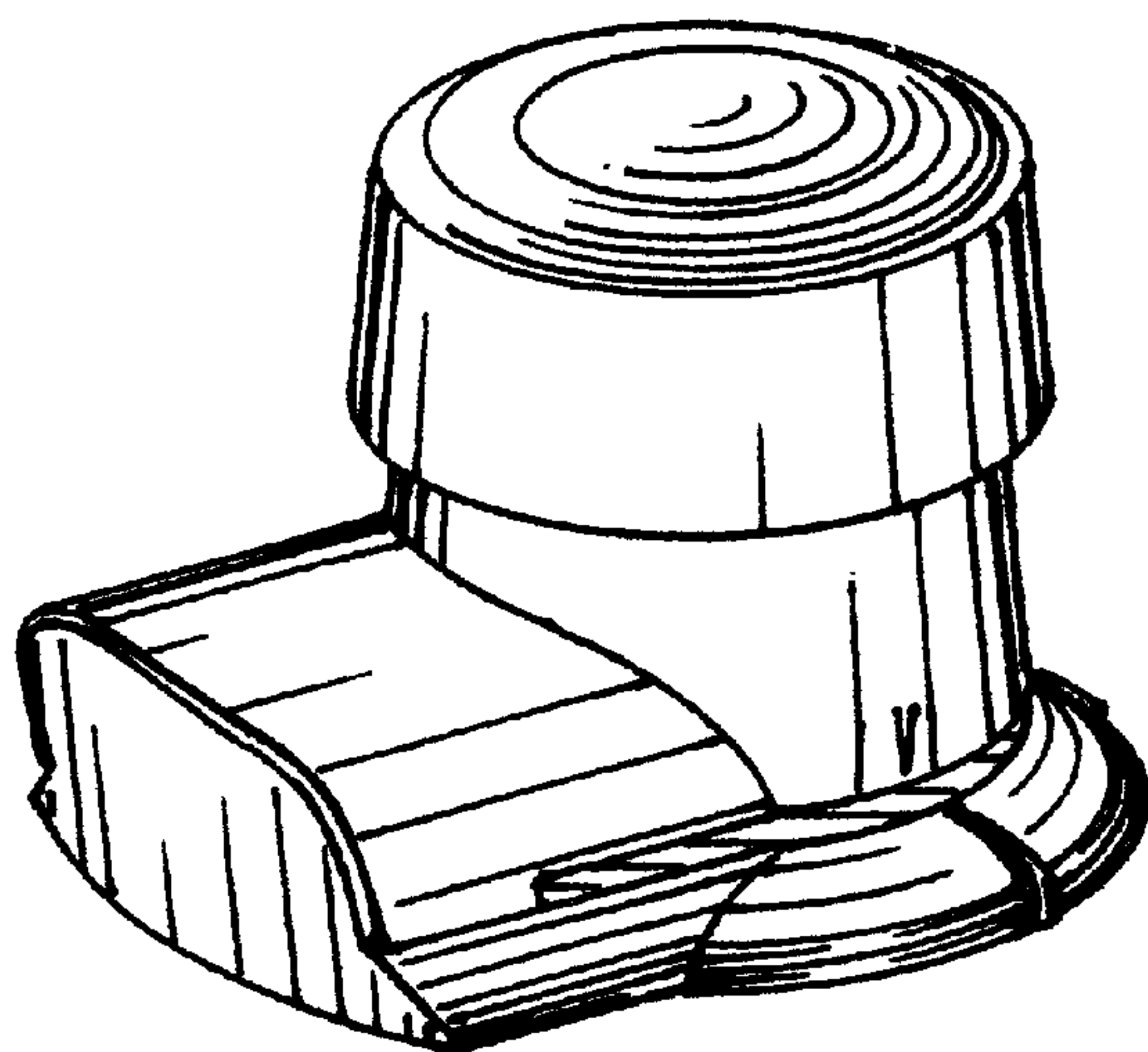


FIG. 2

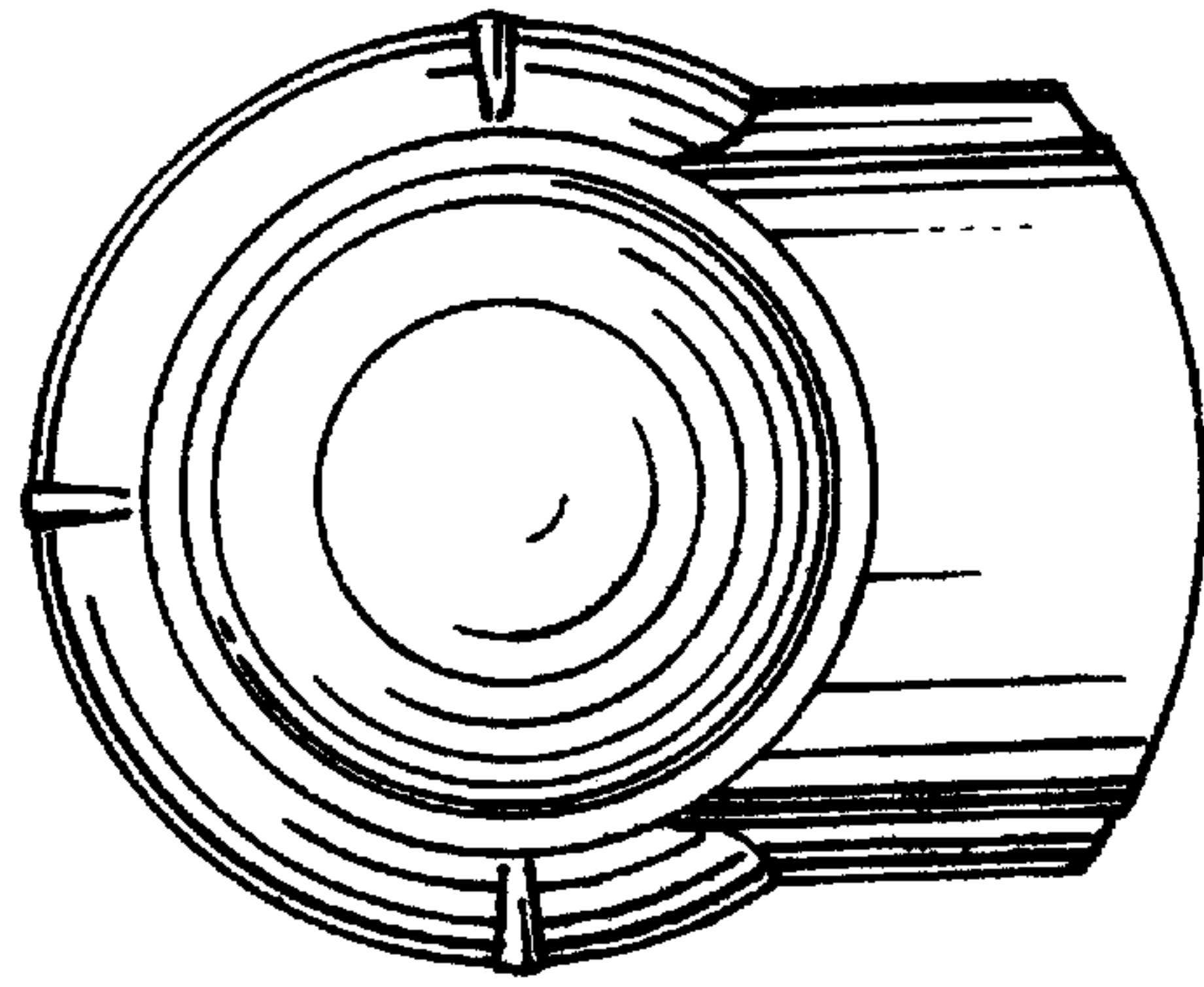


FIG. 4

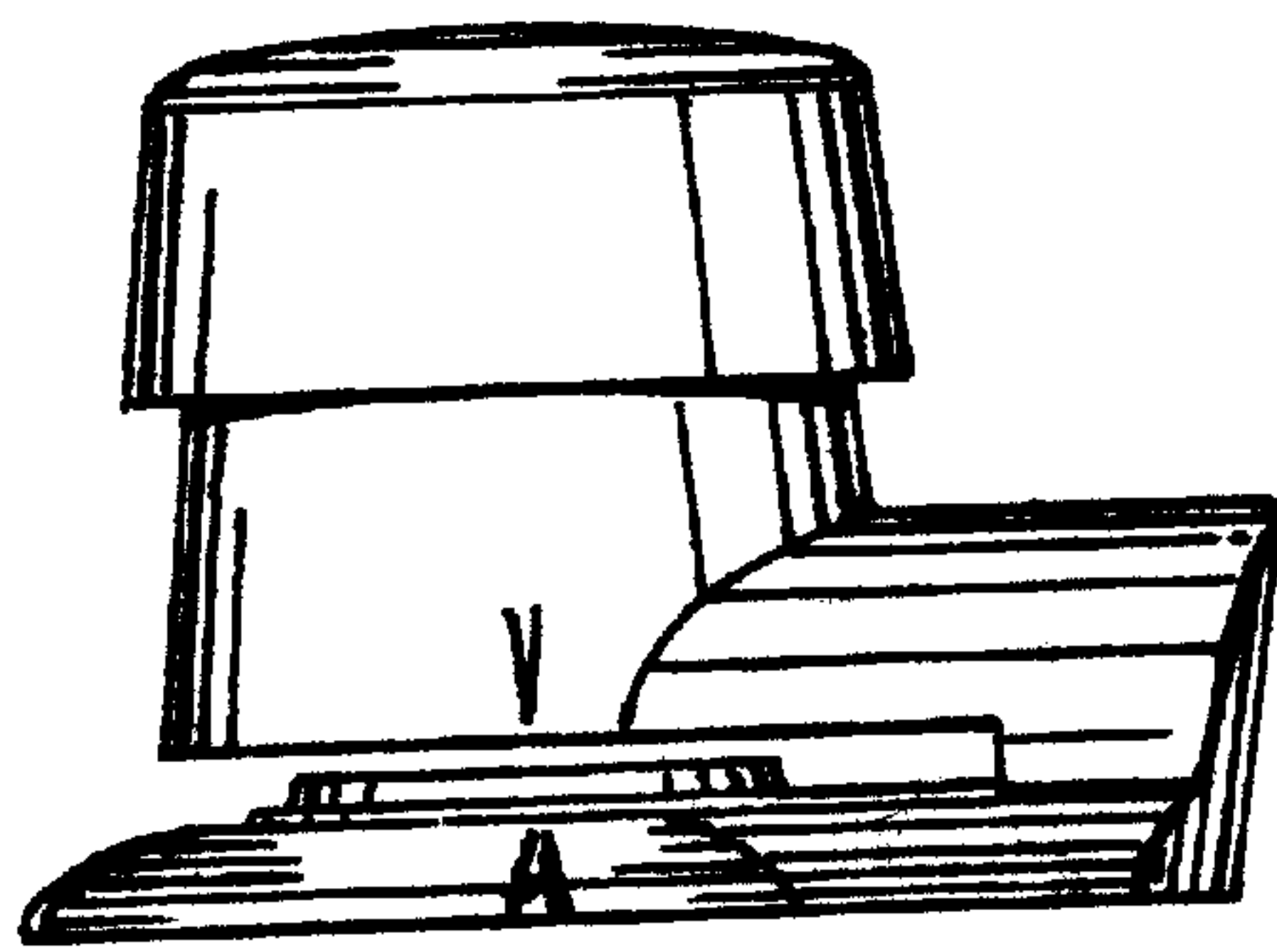


FIG. 3

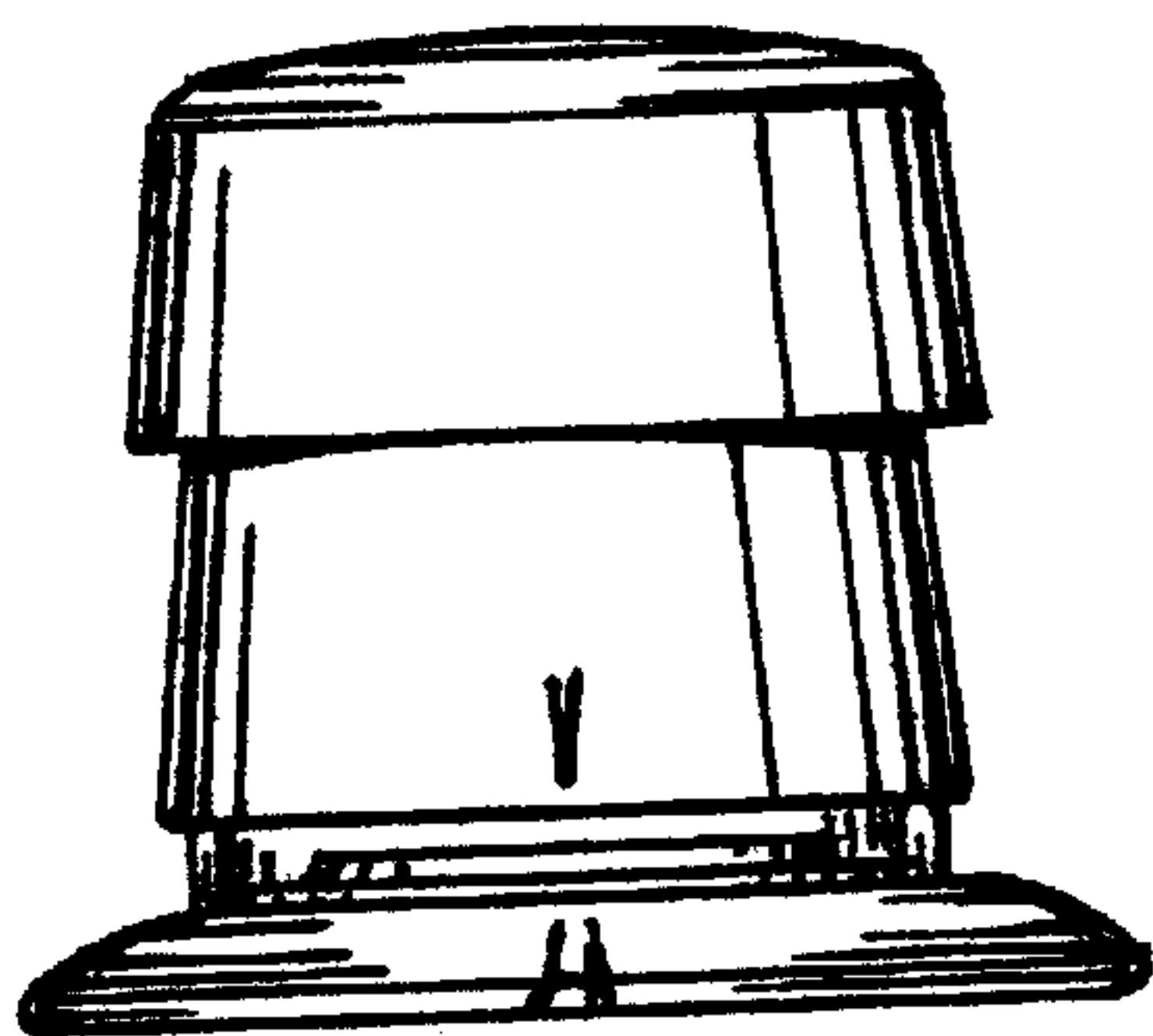


FIG. 5

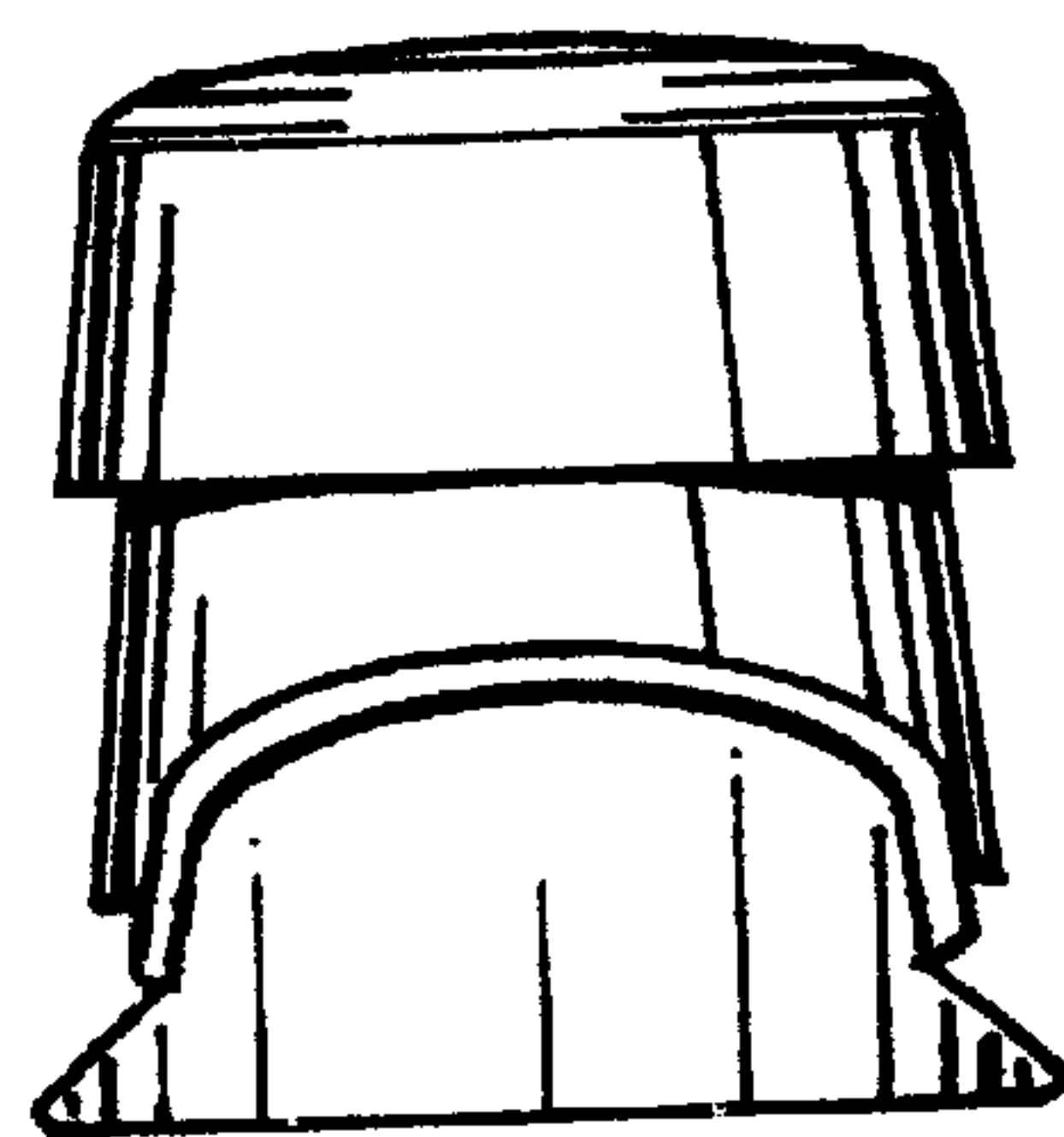


FIG. 6