



US00D463496S

(12) **United States Design Patent** (10) **Patent No.:** **US D463,496 S**
Holbrook et al. (45) **Date of Patent:** **** Sep. 24, 2002**

(54) **TAPE DISPENSER**

(75) Inventors: **Richard M. Holbrook**, Altadena, CA (US); **Jeff Bentzler**, Los Angeles, CA (US)

(73) Assignee: **Office Impact, LLC**, Pasadena, CA (US)

(**) Term: **14 Years**

(21) Appl. No.: **29/150,624**

(22) Filed: **Nov. 26, 2001**

(51) **LOC (7) Cl.** **19-02**

(52) **U.S. Cl.** **D19/69; D19/67**

(58) **Field of Search** D19/65, 67, 68, D19/69, 89, 72, 99, 100, 66; 225/6, 7, 12, 19, 22, 25, 34, 35, 46, 57, 74, 77, 89, 11, 45, 56; 242/588, 588.1-588.6, 590; 156/327, 523, 527, 577

(56) **References Cited**

U.S. PATENT DOCUMENTS

- D192,835 S * 5/1962 Wax D19/69
- D198,347 S * 6/1964 Powers D19/69

- 4,834,312 A * 5/1989 Riemenschneider, III 242/588.2
- 5,203,517 A * 4/1993 Parry et al. 242/588.2
- 5,280,869 A * 1/1994 Ricci 242/588.2
- 6,102,323 A * 8/2000 Riemenschneider, III 242/588.2 X

* cited by examiner

Primary Examiner—Martie K. Holtje

(74) *Attorney, Agent, or Firm*—Christie, Parker & Hale, LLP

(57) **CLAIM**

The ornamental design for a tape dispenser, as shown and described.

DESCRIPTION

FIG. 1 is a perspective view showing our new design;
FIG. 2 is a front view;
FIG. 3 is a left side view, the right side view is a mirror image thereof;
FIG. 4 is a rear view;
FIG. 5 is a top view; and,
FIG. 6 is a bottom view.

1 Claim, 6 Drawing Sheets

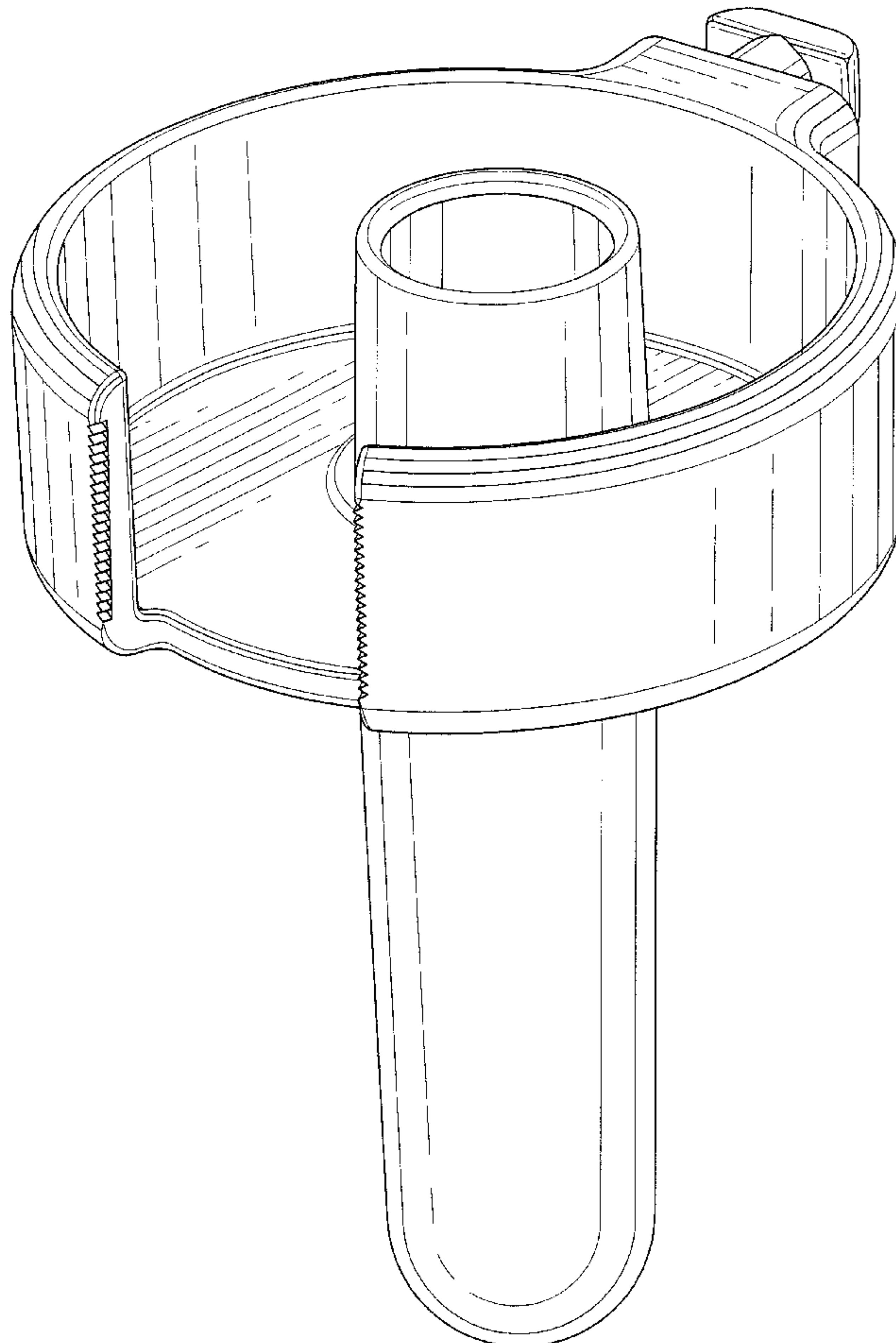


FIG. 1

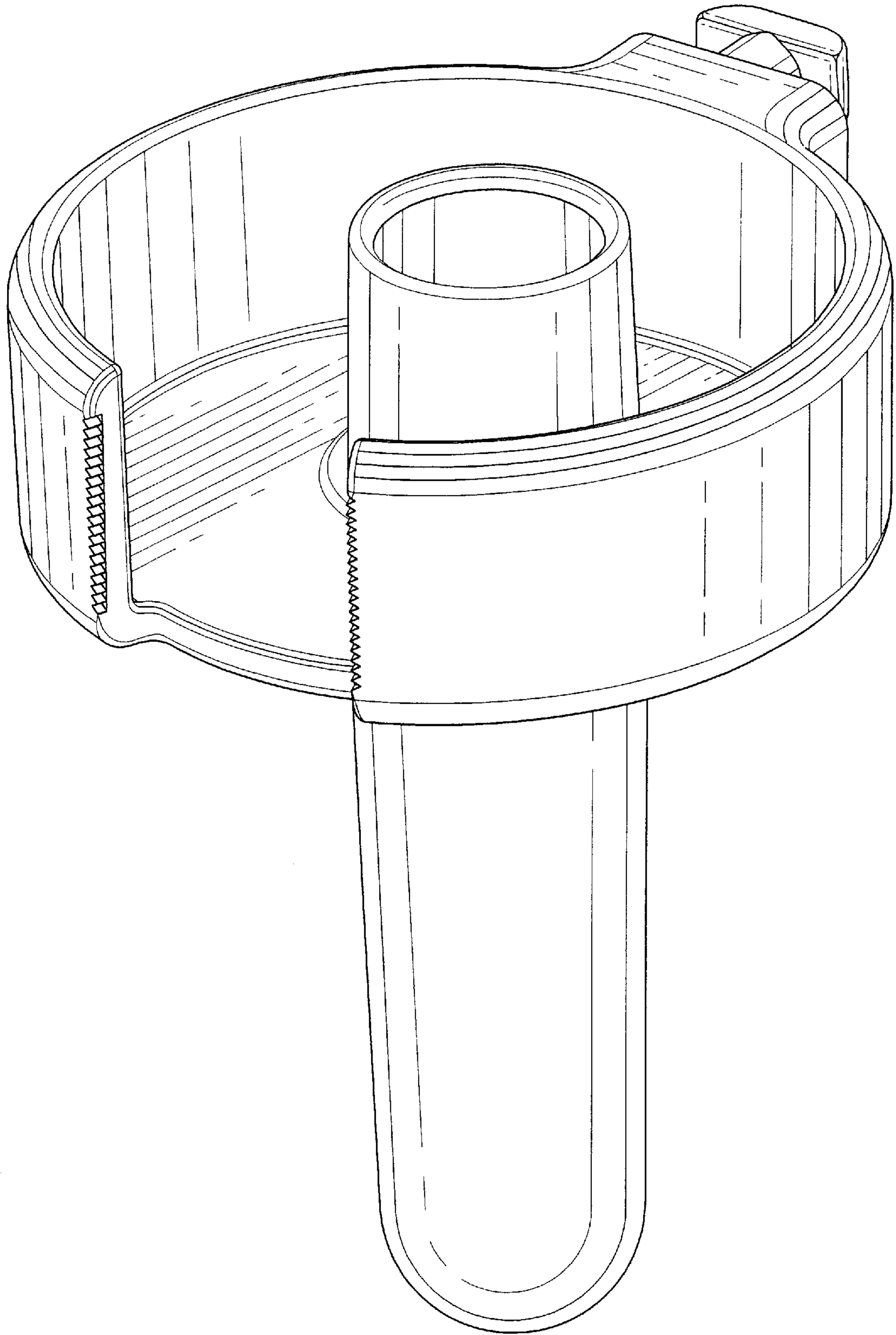


FIG. 2

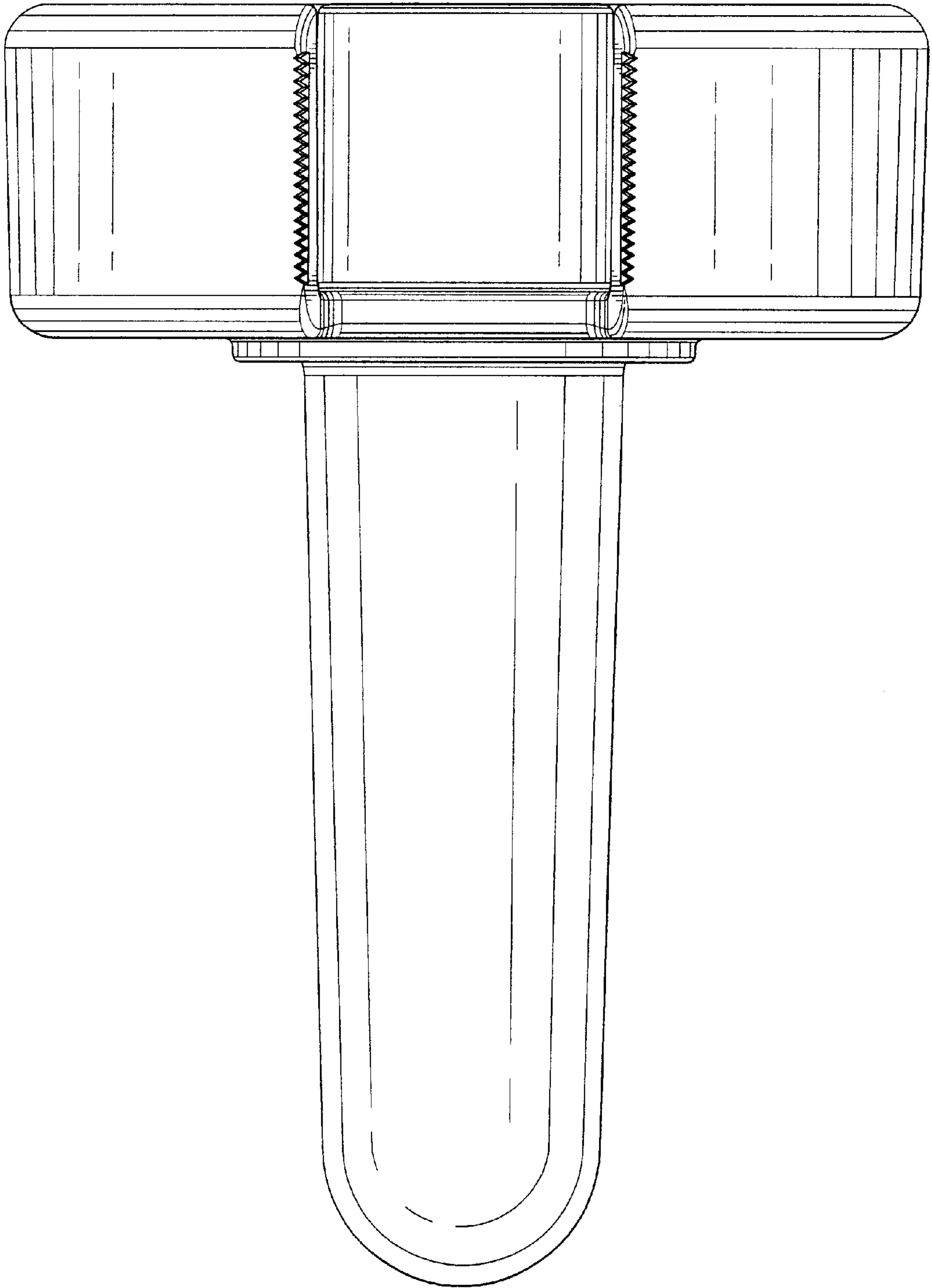


FIG. 3

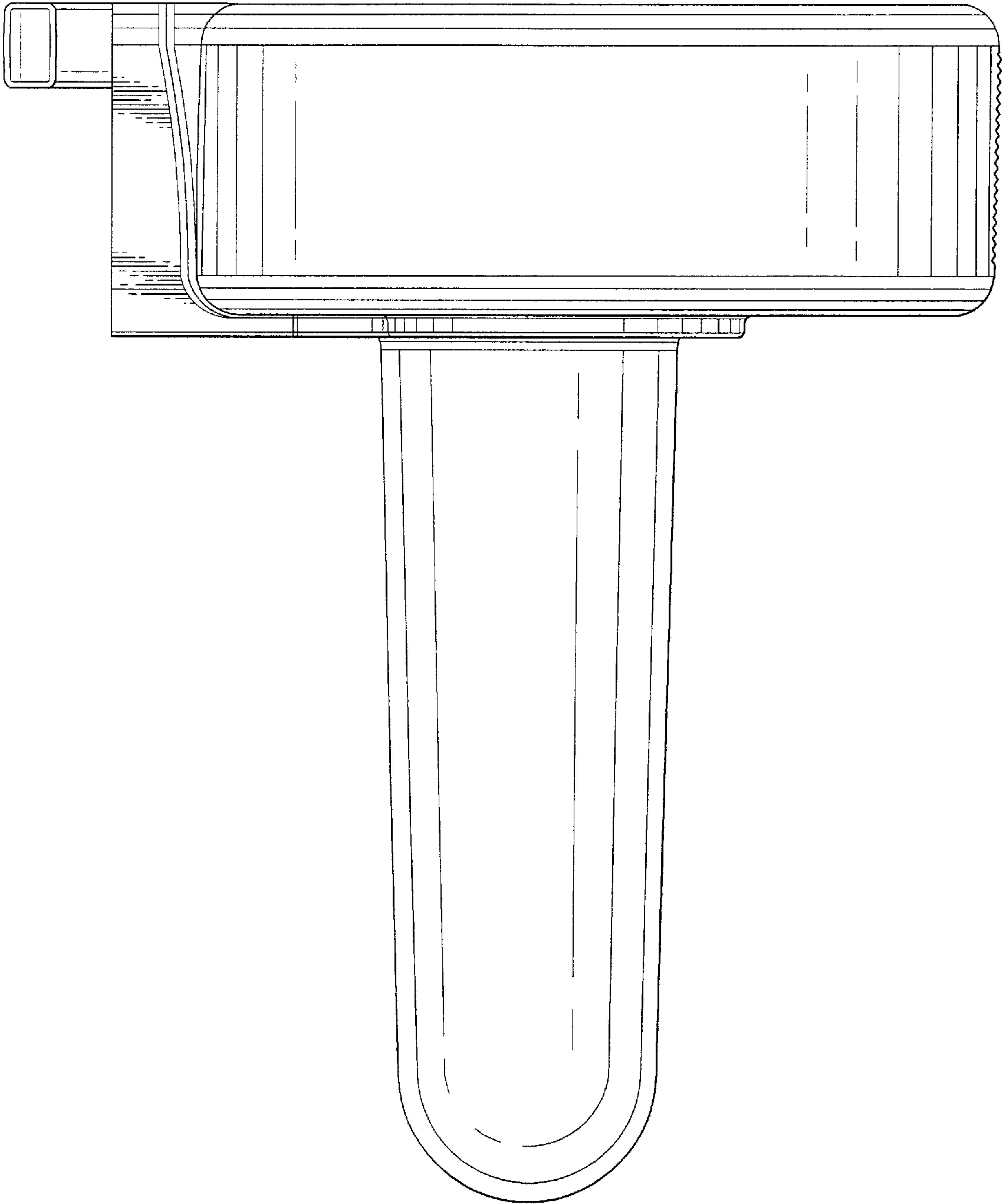


FIG. 4

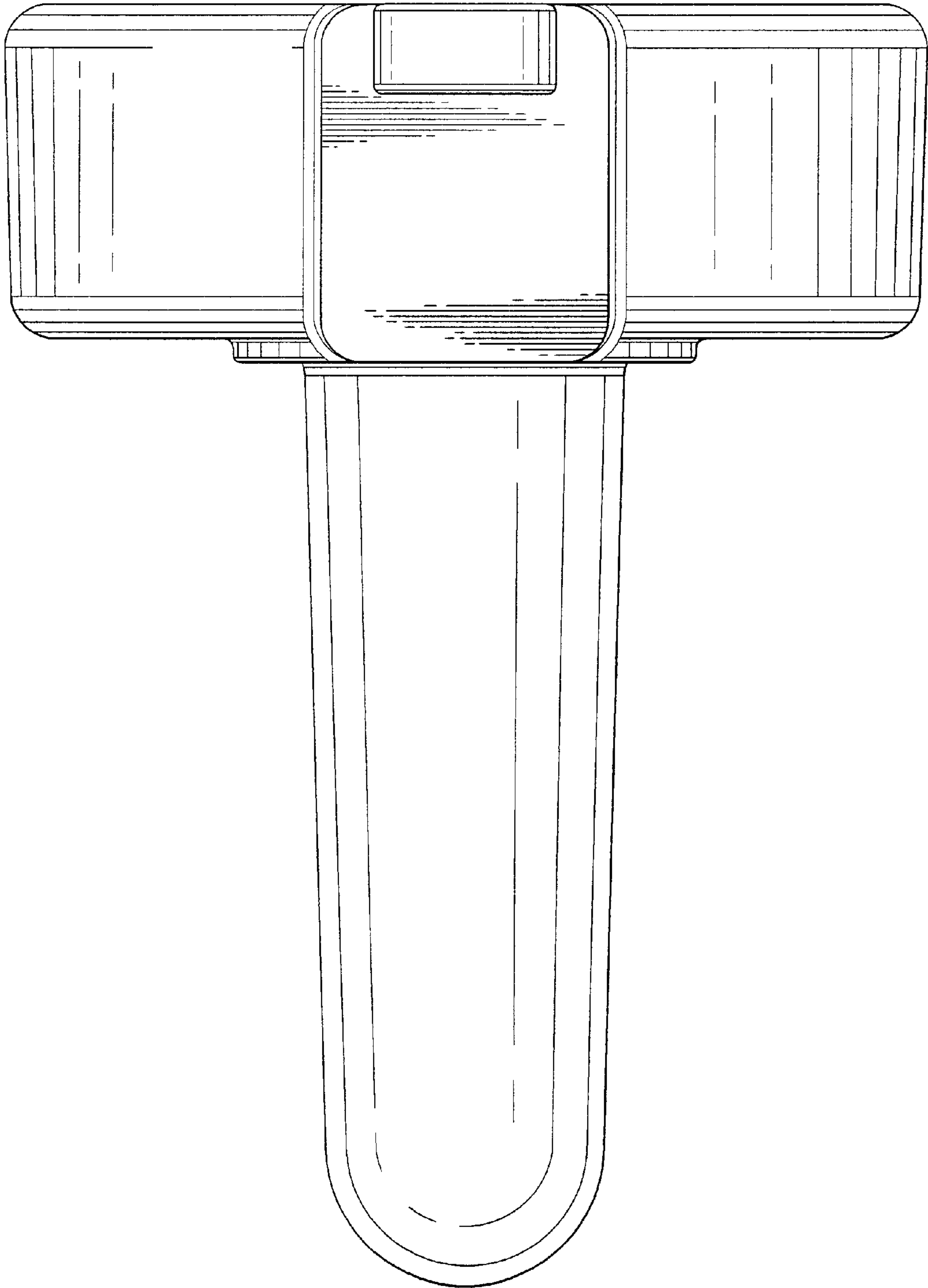


FIG. 5

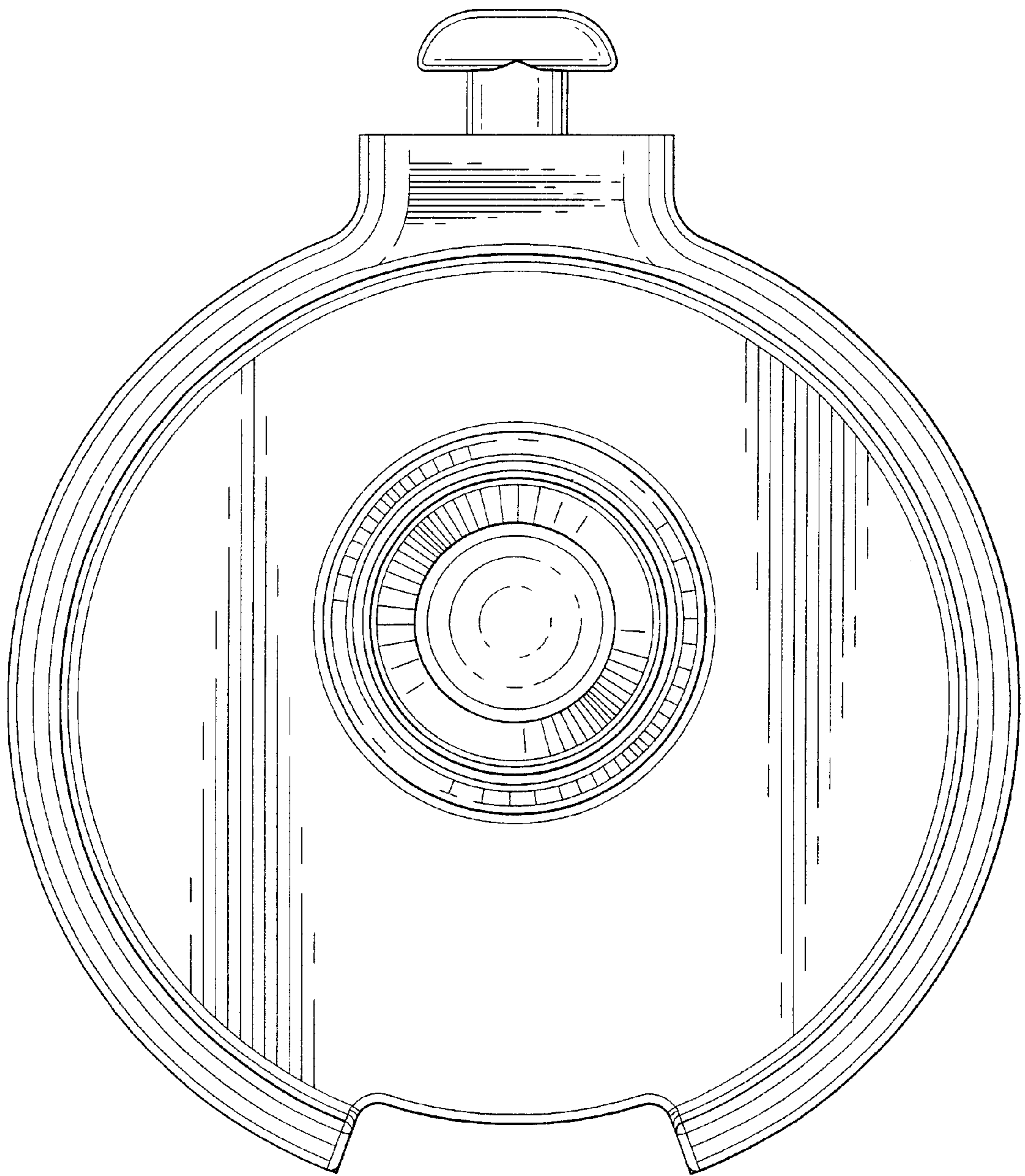


FIG. 6

