



US00D463481S

(12) **United States Design Patent** (10) **Patent No.:** **US D463,481 S**
Nordling et al. (45) **Date of Patent:** **** Sep. 24, 2002**

(54) **BODY PORTION OF AN ELECTRICAL STRING MUSICAL INSTRUMENT**

4,745,837 A * 5/1988 Rimsa 84/291
4,993,300 A * 2/1991 Ejen 84/314 R

(76) Inventors: **Olof Vilhelm Gustav Nordling**,
Vlierbeekberg 114, Overijse (BE),
B-3090; **Marie Karin Helene Nordling**,
Vlierbeekberg 114, Overijse (BE), B-3090; **Henrik Olof Johan Nordling**,
Vlierbeekberg 114, Overijse (BE), B-3090

OTHER PUBLICATIONS

Guitar Player, Mar. 1988 p. 132.*
Guitar World, vol. 18, No. 7, Jul. 1998, pp. 25, 58, 66, 79,
96, 104, 113, and 115.
Collection from various prior art references (no specific
copyright dates available), Exhibit A, pp. 1-3.

(**) Term: **14 Years**

* cited by examiner

(21) Appl. No.: **29/123,208**

Primary Examiner—Adir Aronovich

(22) Filed: **May 13, 2000**

(74) *Attorney, Agent, or Firm*—Jose Gutman; Fleit, Kain,
Gibbons, Gutman & Bongini P.L.

(30) **Foreign Application Priority Data**

Jan. 14, 2000 (SE) 00-0042

(57) **CLAIM**

(51) **LOC (7) Cl.** **17-03**

The ornamental design for a body portion of an electrical
string musical instrument, as shown and described.

(52) **U.S. Cl.** **D17/20**

DESCRIPTION

(58) **Field of Search** D17/14, 15, 18-20;
84/267, 291, 292, 293, 314 R, 743

FIG. 1 is a front elevation view of a body portion of an
electrical string musical instrument showing our new design;
and,

(56) **References Cited**

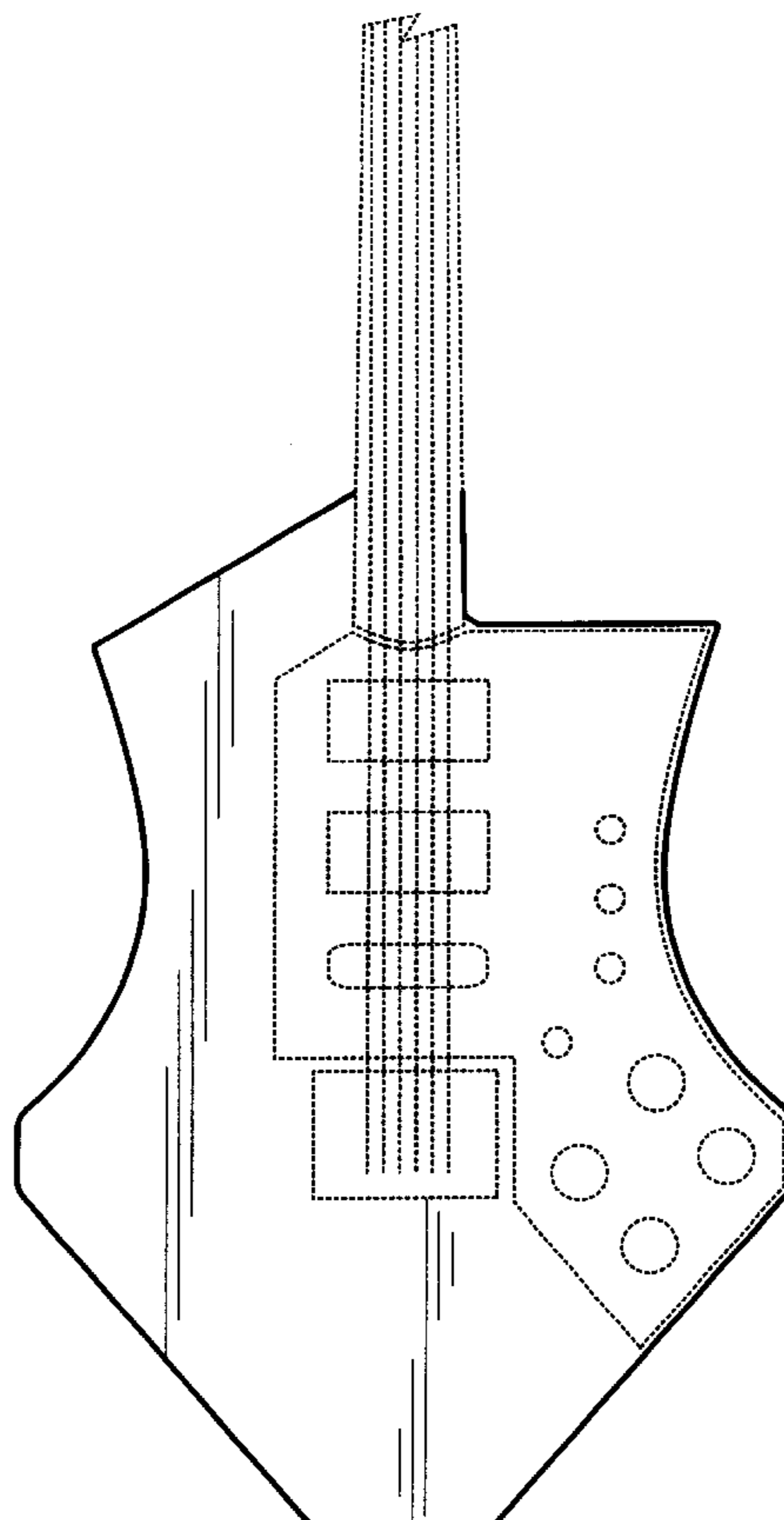
FIG. 2 is a rear elevation view thereof.

U.S. PATENT DOCUMENTS

The broken lines in FIGS. 1 and 2 are for illustrative
purposes only to show environment and form no part of the
claimed design.

D209,333 S * 11/1967 Ketjen D17/14
3,769,871 A * 11/1973 Cawthorn 84/291
D281,700 S * 12/1985 Egnatski D17/19

1 Claim, 2 Drawing Sheets



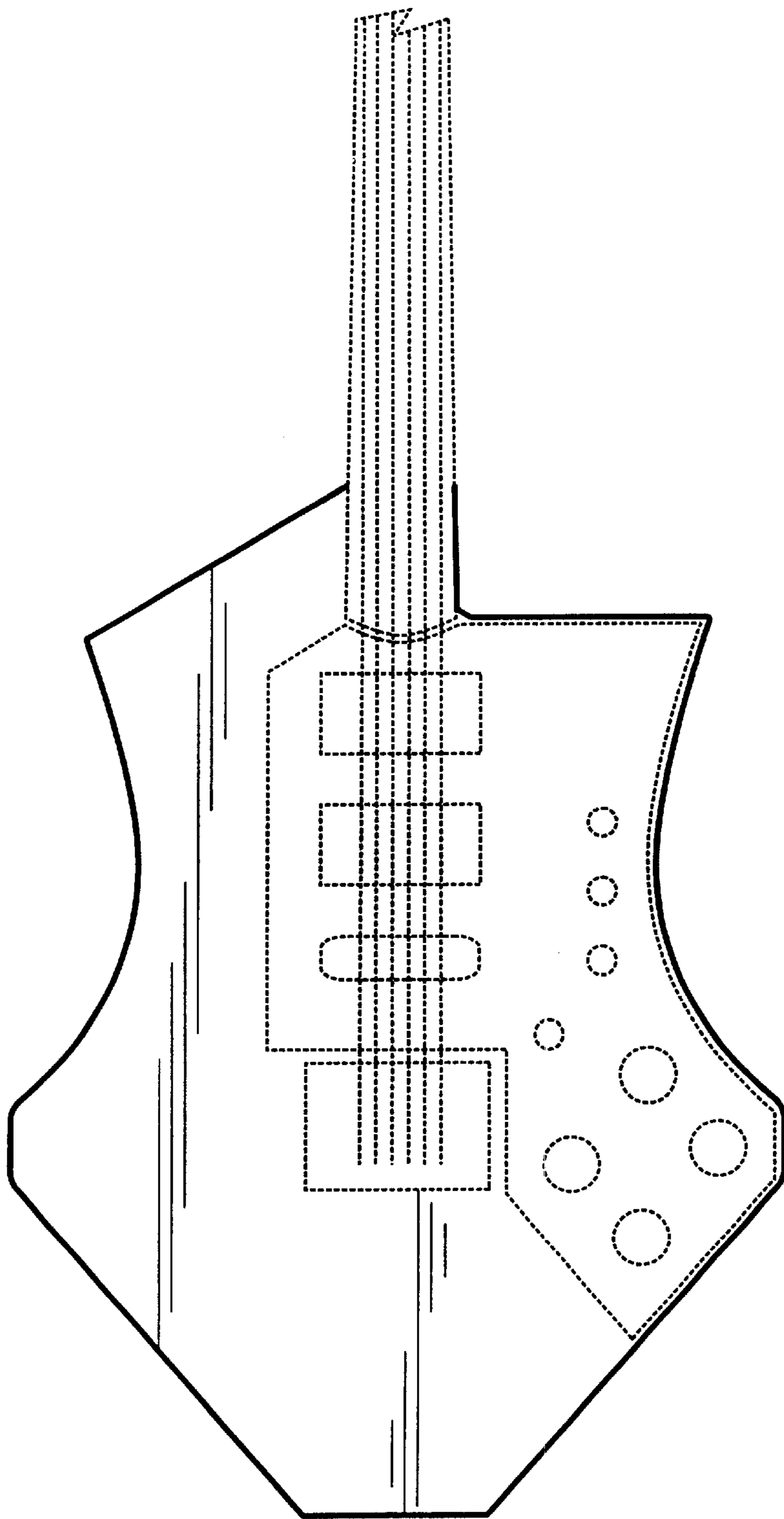


FIG. 1

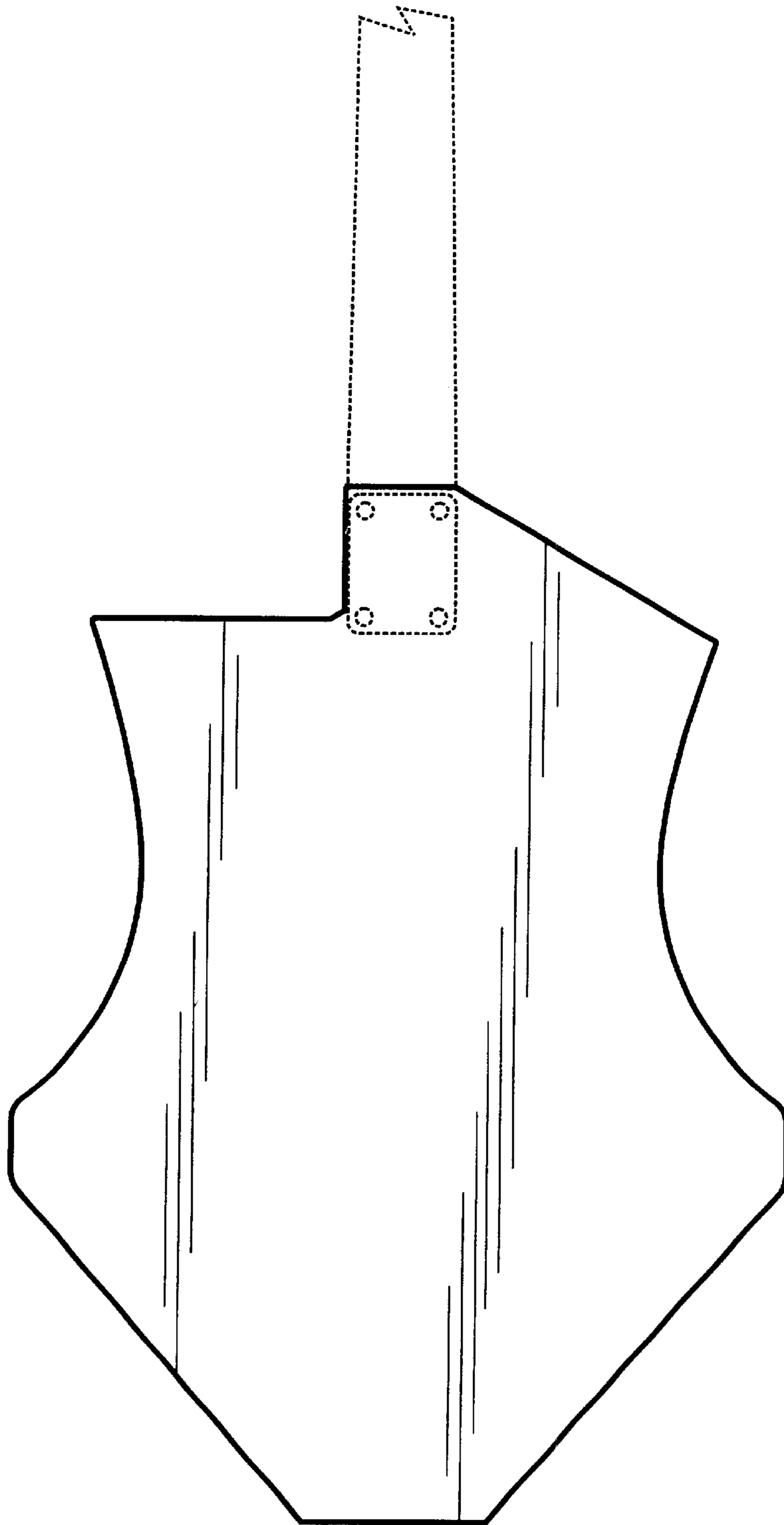


FIG. 2