



US00D463477S

(12) **United States Design Patent**
Wiedner

(10) **Patent No.:** **US D463,477 S**

(45) **Date of Patent:** **** Sep. 24, 2002**

(54) **INDUSTRIAL SAFETY GOGGLES**

(75) **Inventor:** **Klaus Wiedner, Fürth (DE)**

(73) **Assignee:** **Uvex Arbeitsschutz GmbH, Fürth (GB)**

(**) **Term:** **14 Years**

(21) **Appl. No.:** **29/146,199**

(22) **Filed:** **Aug. 7, 2001**

(30) **Foreign Application Priority Data**

Feb. 7, 2001 (DE) 4 01 01 421

(51) **LOC (7) Cl.** **16-06**

(52) **U.S. Cl.** **D16/314; D16/300; D16/335; D16/338**

(58) **Field of Search** D16/101, 300-330, D16/332-338; D29/109, 110; 351/41, 44, 51, 52, 103-111, 114, 118-123, 140, 158; 2/426, 432, 447-452

(56) **References Cited**

U.S. PATENT DOCUMENTS

- 3,944,344 A * 3/1976 Wichers 351/114
- 5,457,503 A * 10/1995 Chen 351/120
- 5,495,303 A * 2/1996 Kolentsi 2/428
- 5,528,320 A * 6/1996 Specht 351/106
- 5,631,718 A * 5/1997 Brune 351/123

- 5,638,147 A * 6/1997 Wang-Lee 351/140
- 5,760,867 A * 6/1998 Pernicka et al. 351/120
- D404,416 S * 1/1999 Wiedner D16/314
- D410,244 S * 5/1999 Lin D16/314

* cited by examiner

Primary Examiner—Raphael Barkai

(74) *Attorney, Agent, or Firm*—Browdy and Neimark

(57) **CLAIM**

The ornamental design for “industrial safety goggles”, as shown and described.

DESCRIPTION

FIG. 1 shows right side perspective view of the present design.

FIG. 2 shows a top perspective view thereof.

FIG. 3 shows a top front perspective view thereof.

FIG. 4 shows a front perspective view thereof.

FIG. 5 shows a top front perspective view thereof with the earpieces being folded; and,

FIG. 6 shows another top front perspective view similar to FIG. 5, from a different angle.

Industrial safety goggles according to the invention are characterized in that the ends of the temples and/or the upper rim of a frame and/or the nose pads are provided with a resilient Z-fold-configuration, which provides a characteristic design appearance.

1 Claim, 3 Drawing Sheets

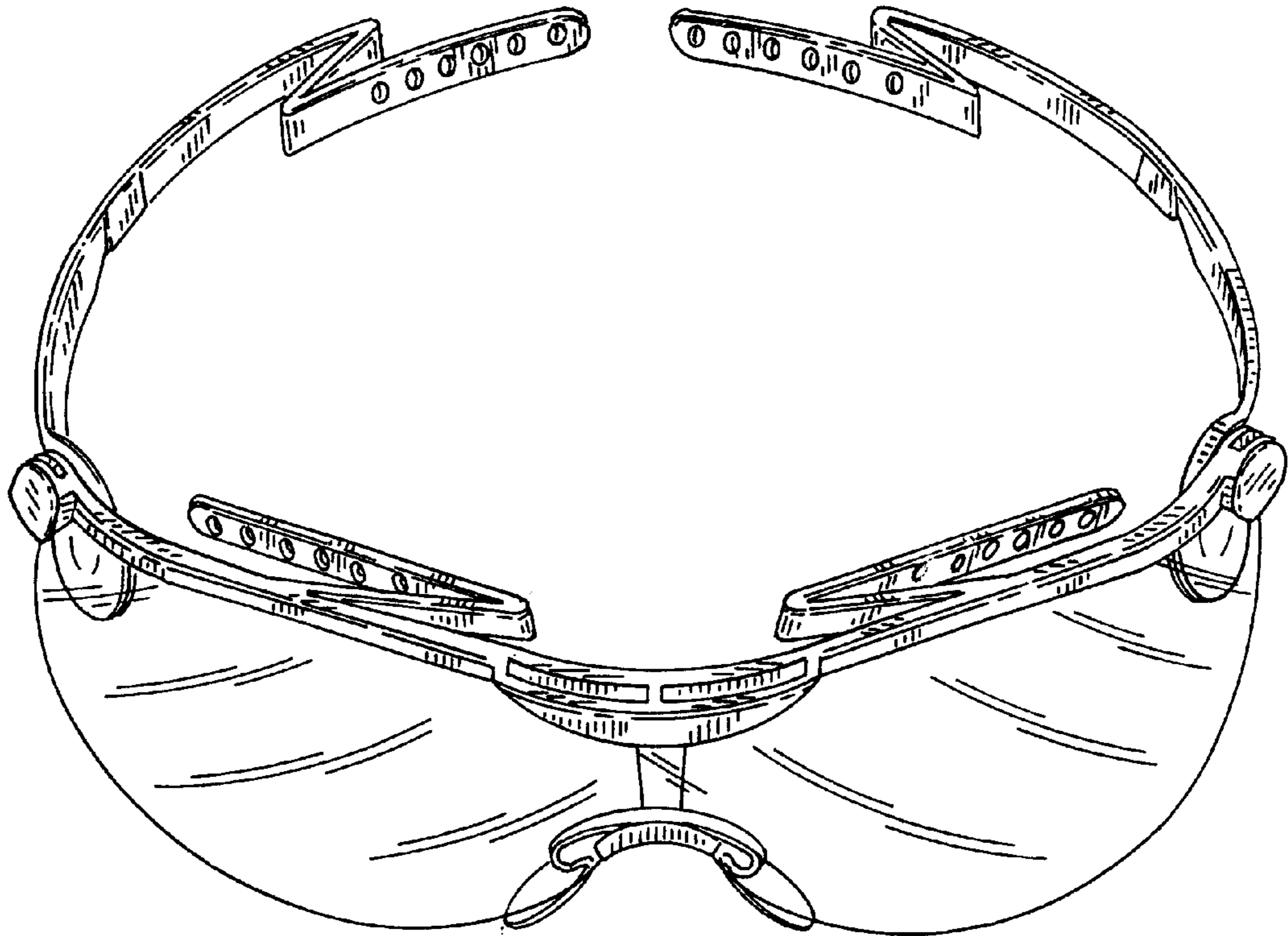


FIG. 1

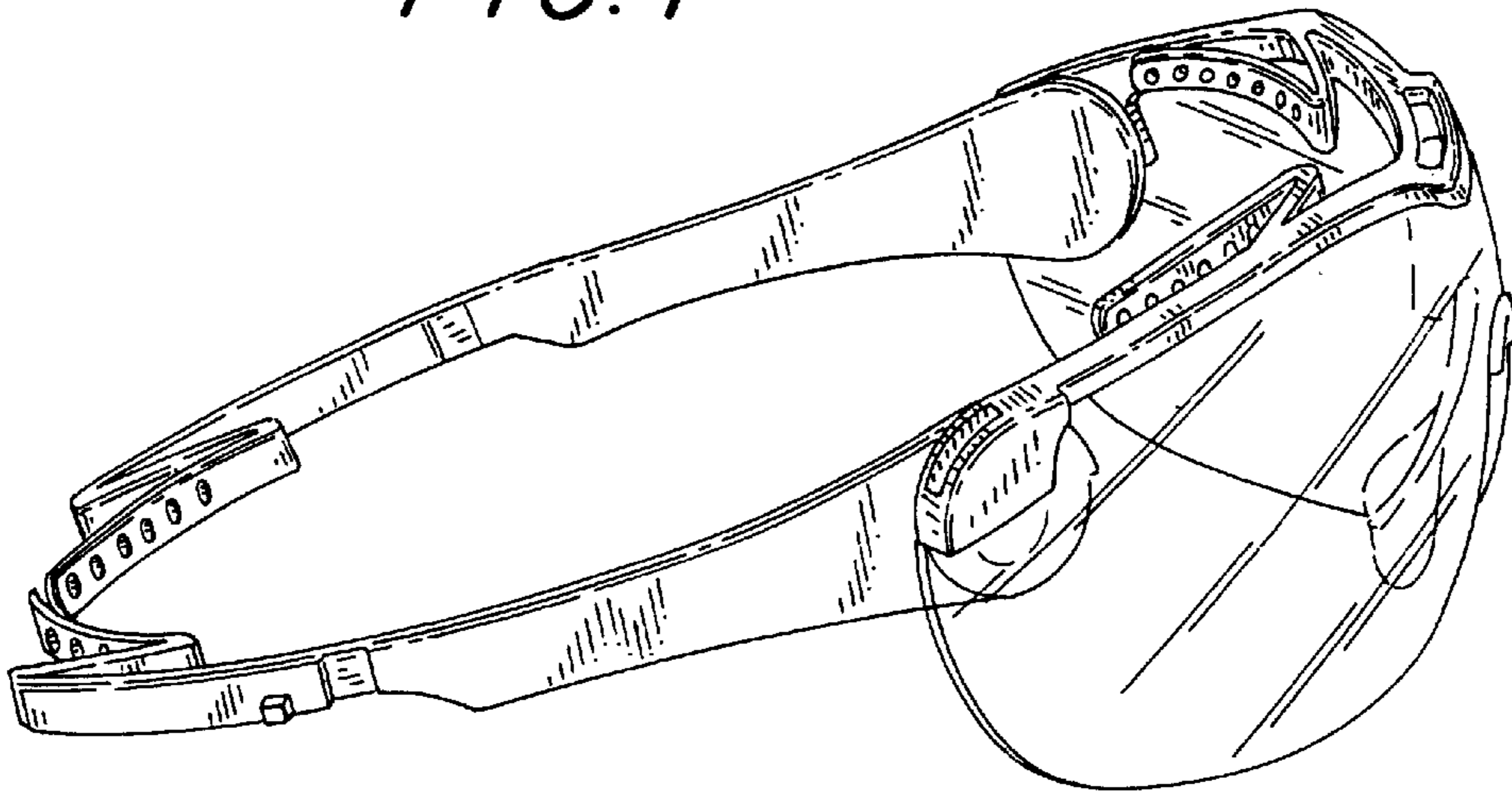


FIG. 2

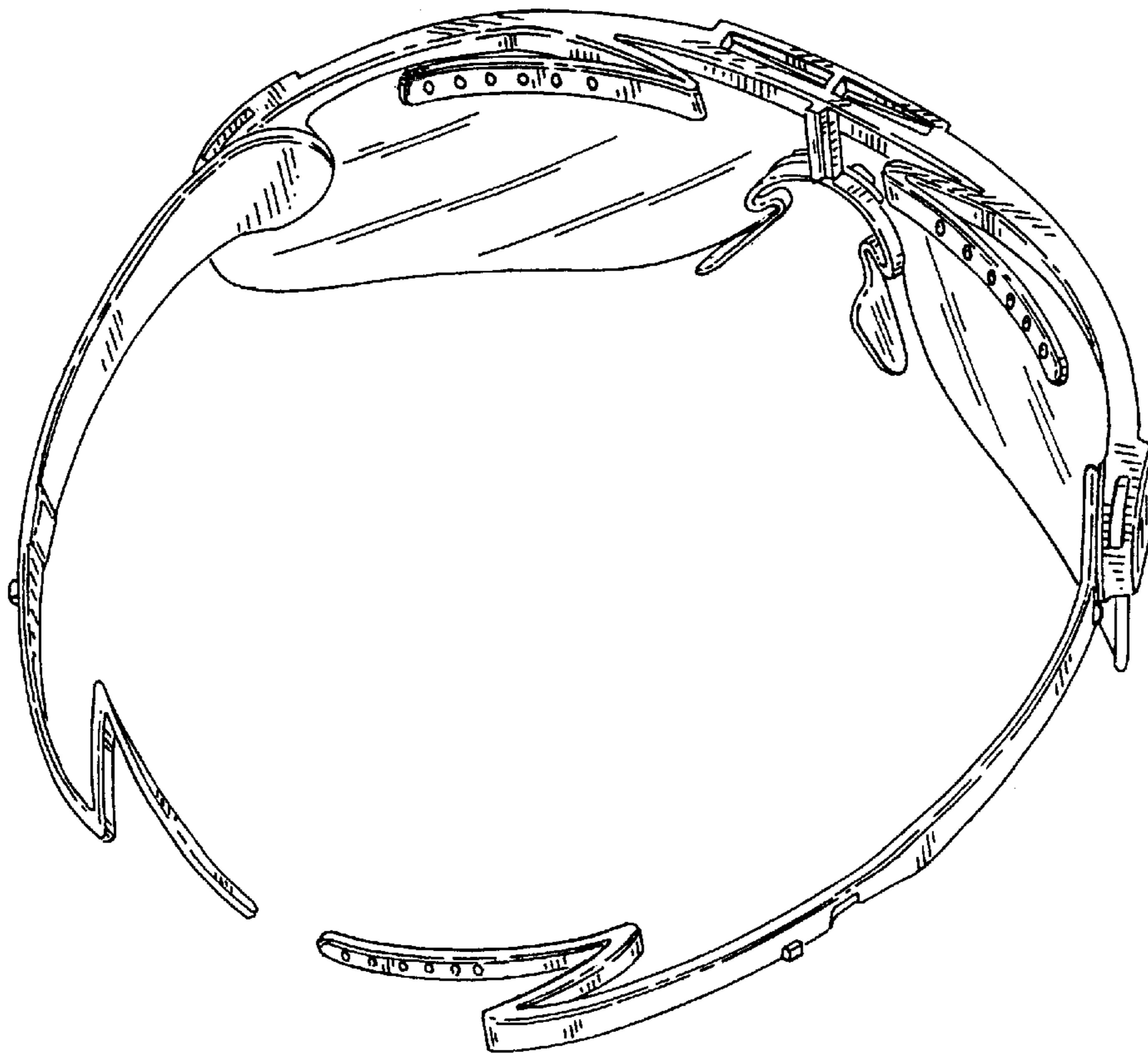


FIG. 3

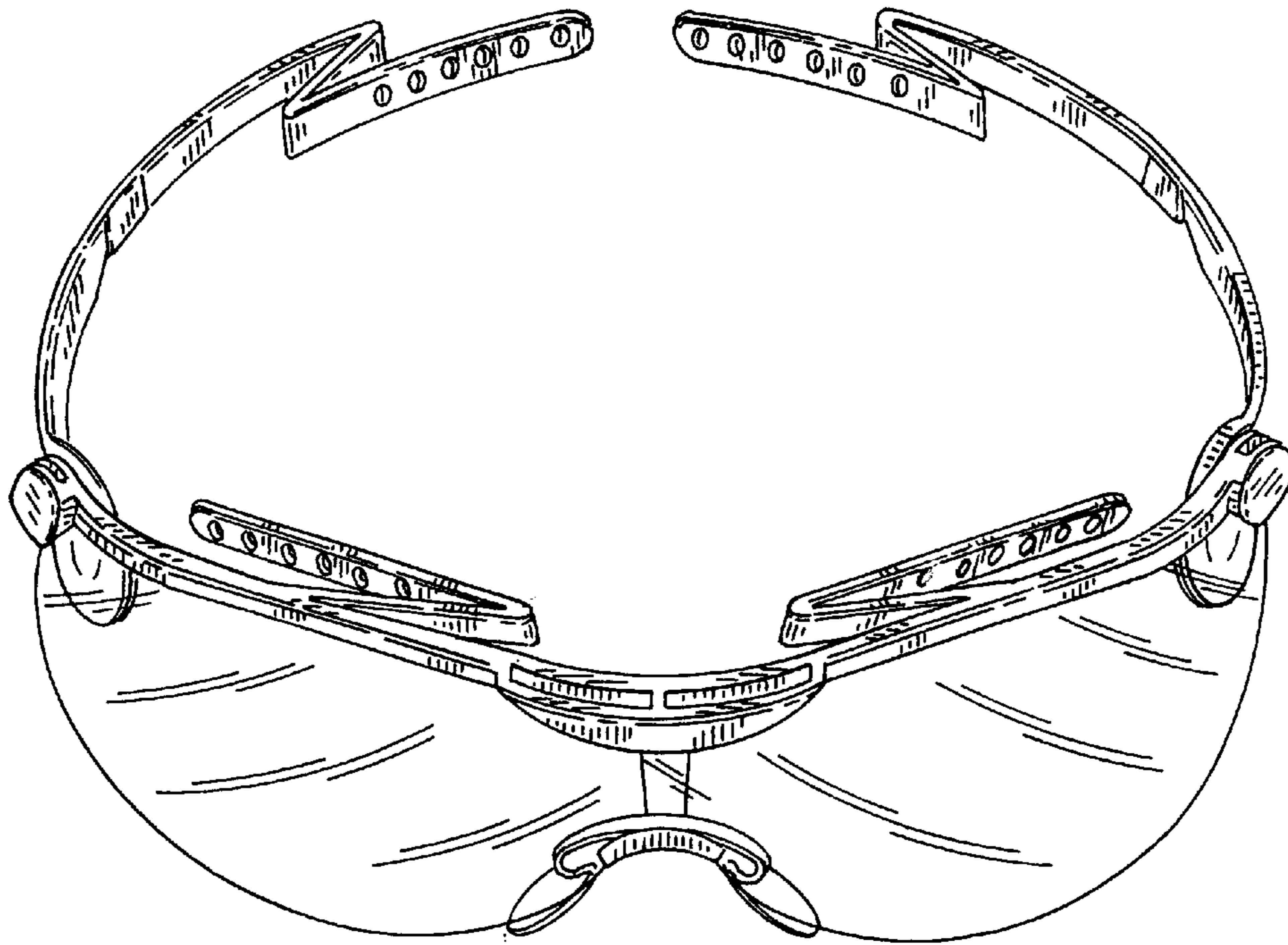


FIG. 4

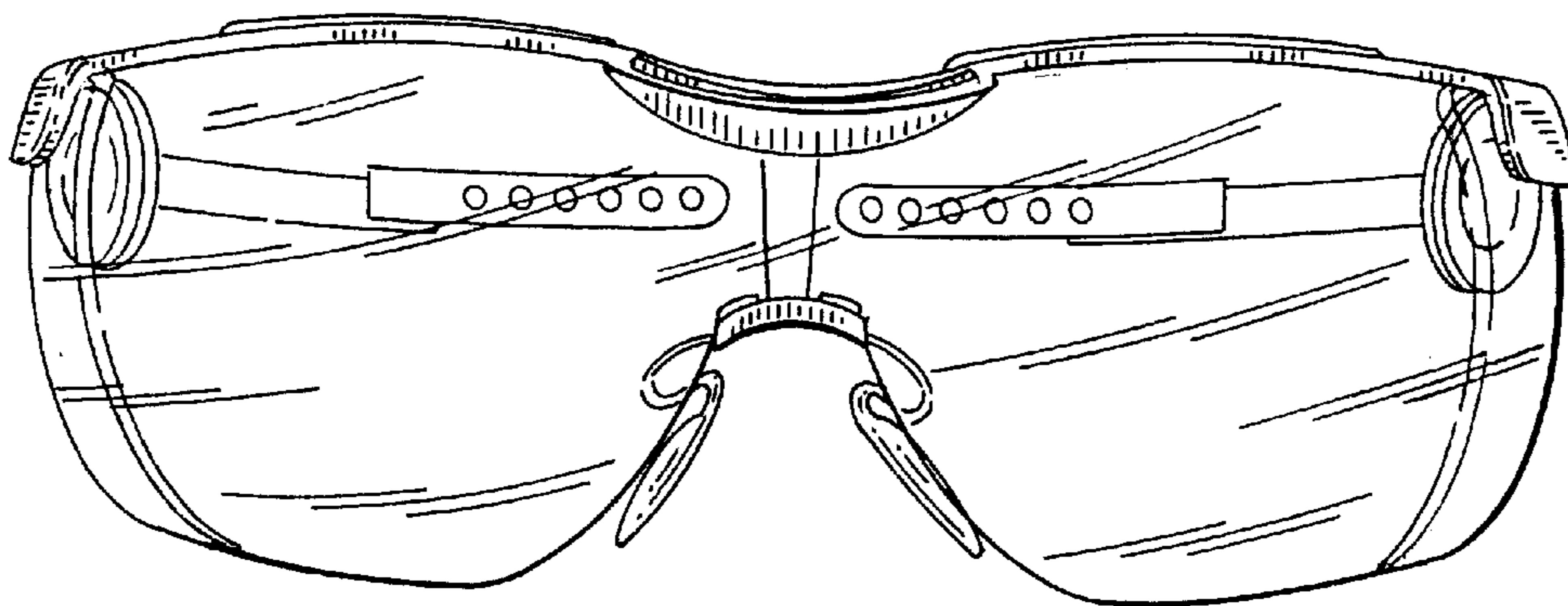


FIG. 5

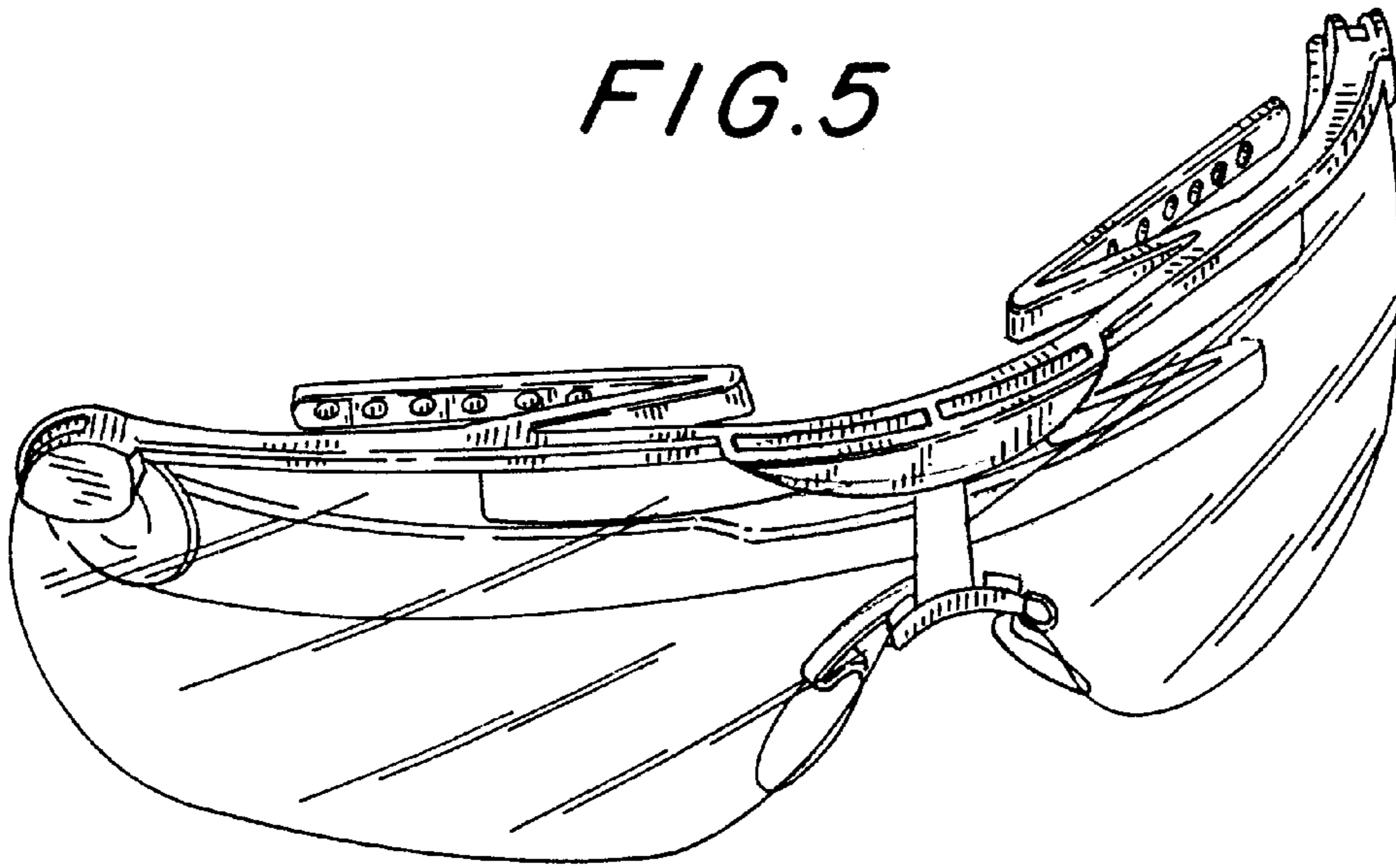


FIG. 6

