



US00D463473S

(12) **United States Design Patent**  
**Miyashita**

(10) **Patent No.:** **US D463,473 S**

(45) **Date of Patent:** **\*\* Sep. 24, 2002**

(54) **VIDEO CAMERA**

**OTHER PUBLICATIONS**

(75) **Inventor:** **Shin Miyashita, Tokyo (JP)**

Digital HDVS—High Definition Video System—  
HDC-900/HDC-950/HDCU-900; pp. 2 and 9; Sony Cor-  
poration Japan, Apr. 2000.

(73) **Assignee:** **Sony Corporation, Tokyo (JP)**

\* cited by examiner

(\*\*) **Term:** **14 Years**

*Primary Examiner*—Adir Aronovich  
(74) *Attorney, Agent, or Firm*—Rader, Fishman & Grauer,  
PLLC

(21) **Appl. No.:** **29/131,656**

(57) **CLAIM**

(22) **Filed:** **Oct. 26, 2000**

The ornamental design for a video camera, as shown and  
described.

(51) **LOC (7) Cl.** ..... **16-05**

**DESCRIPTION**

(52) **U.S. Cl.** ..... **D16/219**

FIG. 1 is a top, front perspective view of a video camera  
showing my new design;

(58) **Field of Search** ..... D16/200, 202,  
D16/203, 208, 219, 220; D14/125-129,  
371; 348/207, 341, 373-376; 358/906

FIG. 2 is a top plan view thereof;  
FIG. 3 is a bottom plan view thereof;  
FIG. 4 is a left side elevational view thereof  
FIG. 5 is a right side elevational view thereof;  
FIG. 6 is a front elevational view thereof;  
FIG. 7 is a top plan view thereof, wherein the viewing screen  
shown in the first alternate position;  
FIG. 8 is a top plan view thereof, wherein the viewing screen  
shown in the second alternate position;  
FIG. 9 is a top plan view thereof, wherein the viewing screen  
shown in the third alternative position; and,  
FIG. 10 is a front elevational view thereof, wherein the  
viewing screen shown in the closed position.  
Portions in broken lines are shown to illustrate environmnet  
only and form no part of the claimed design.

(56) **References Cited**

**U.S. PATENT DOCUMENTS**

D124,324 S	*	12/1940	Mihalyi	.....	D16/220
D373,778 S	*	9/1996	Fasciano et al.	.....	D16/220
5,592,224 A	*	1/1997	Shim	.....	348/333
D404,051 S		1/1999	Ishii	.....	D16/219
D404,748 S		1/1999	Miyashita	.....	D16/202
6,122,003 A	*	9/2000	Anderson	.....	348/207
6,219,489 B1	*	4/2001	Ohta et al.	.....	358/906
D446,537 S	*	8/2001	Petravic et al.	.....	D16/220

**1 Claim, 6 Drawing Sheets**

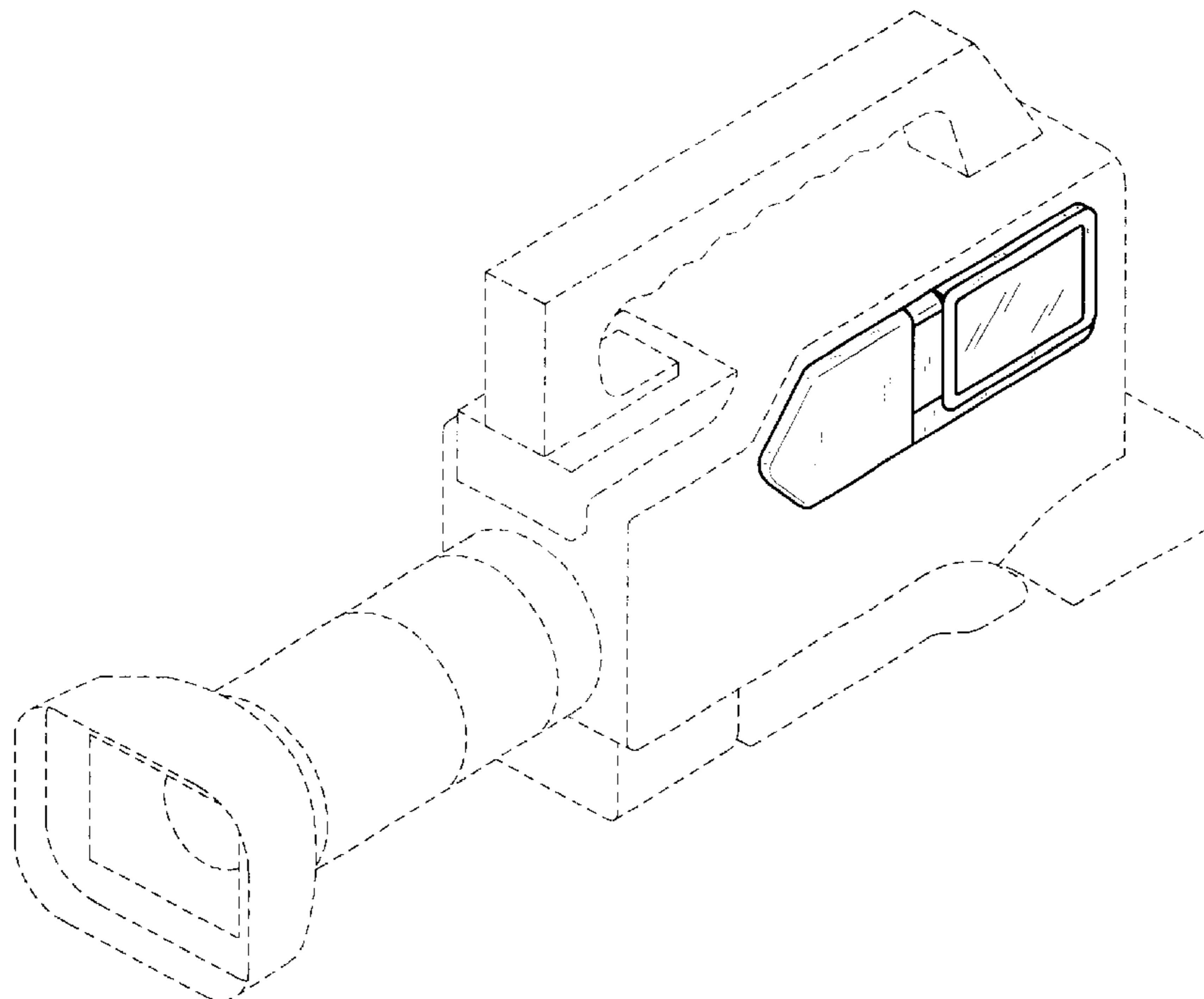


FIG. 1

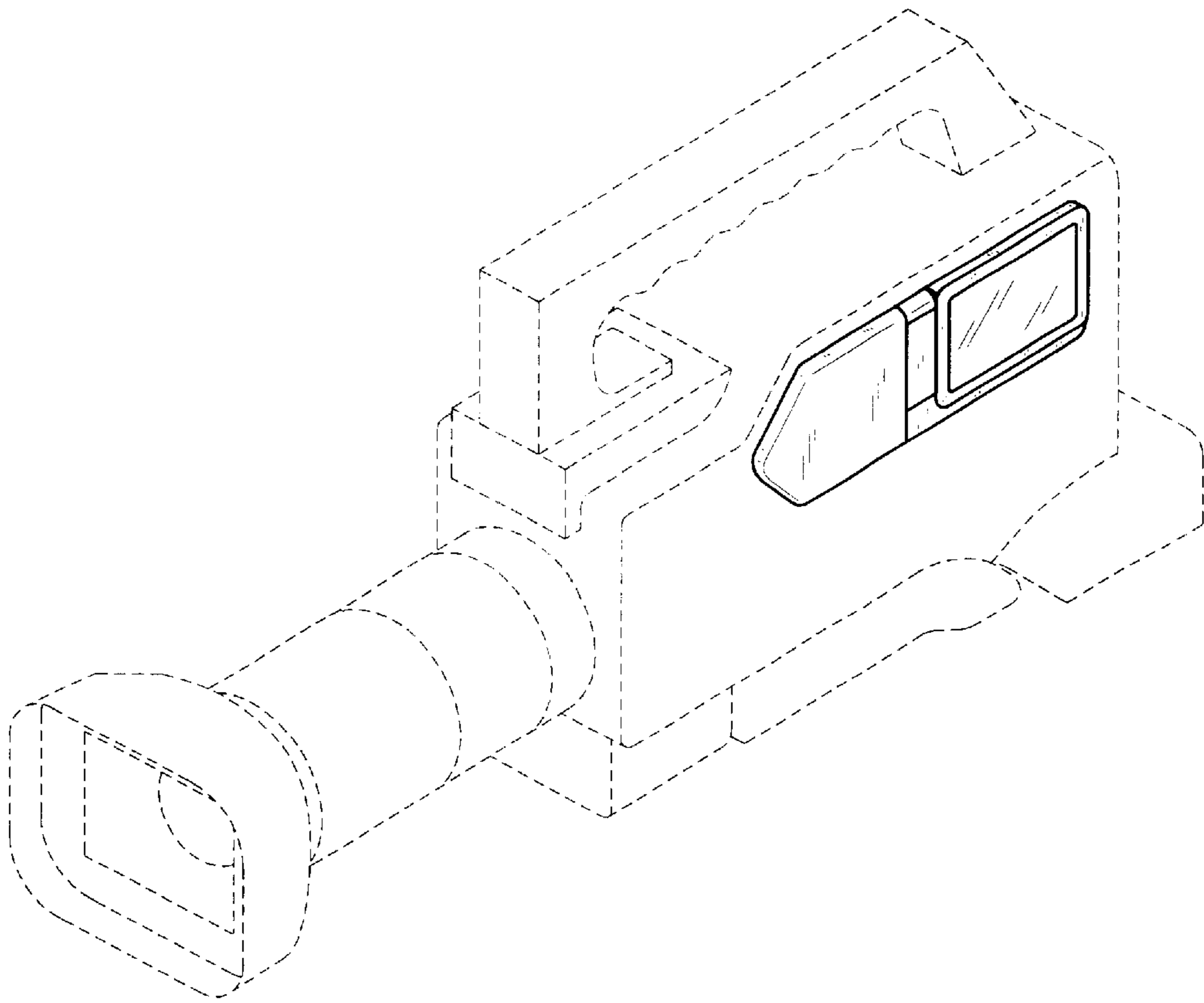


FIG. 2

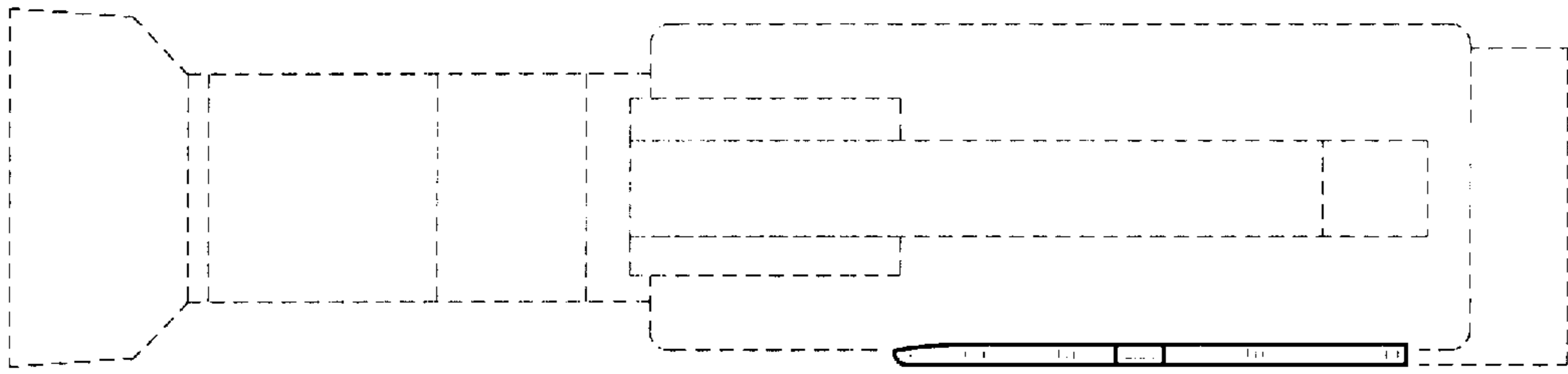


FIG. 3

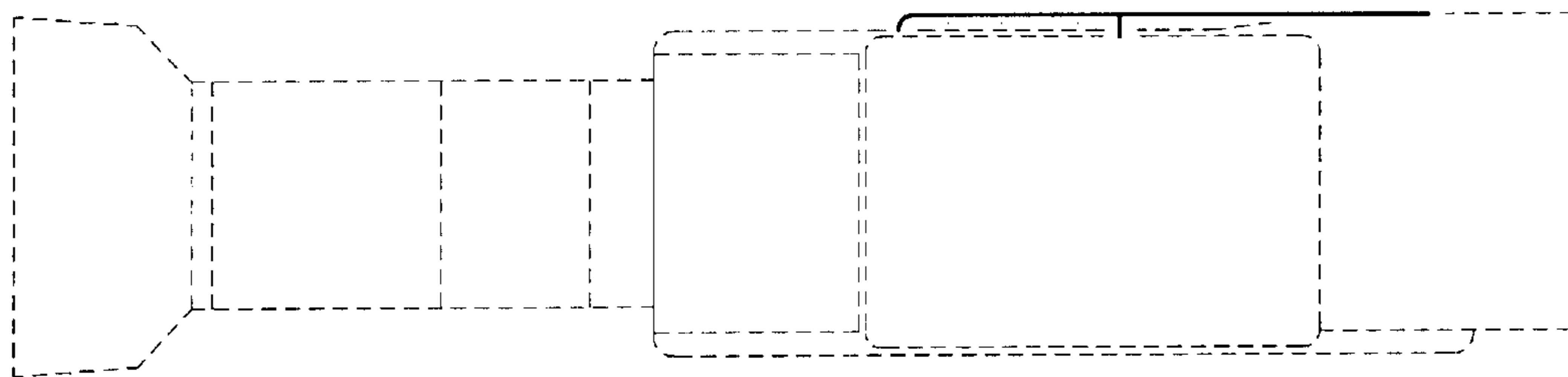


FIG. 4

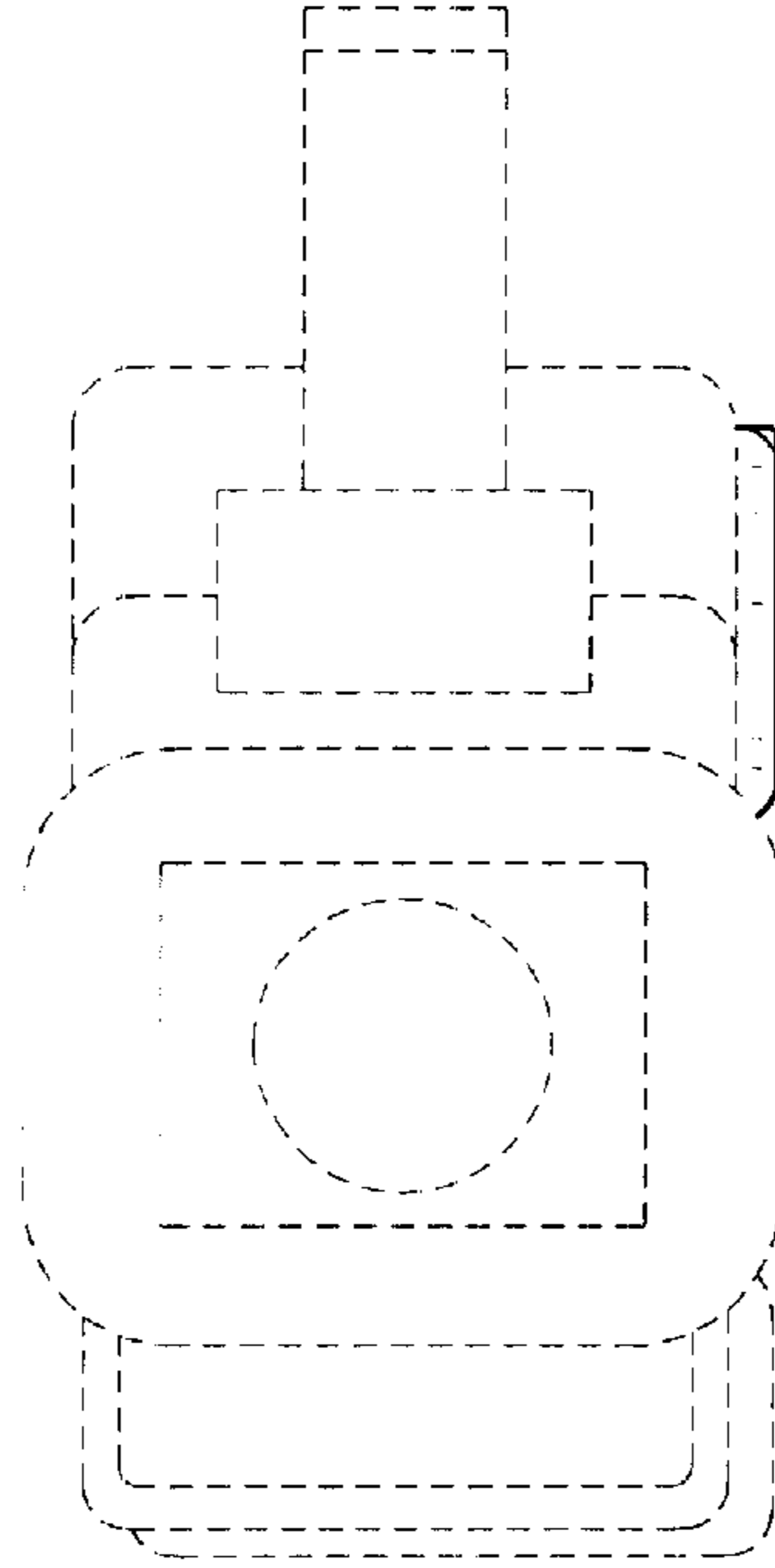


FIG. 5

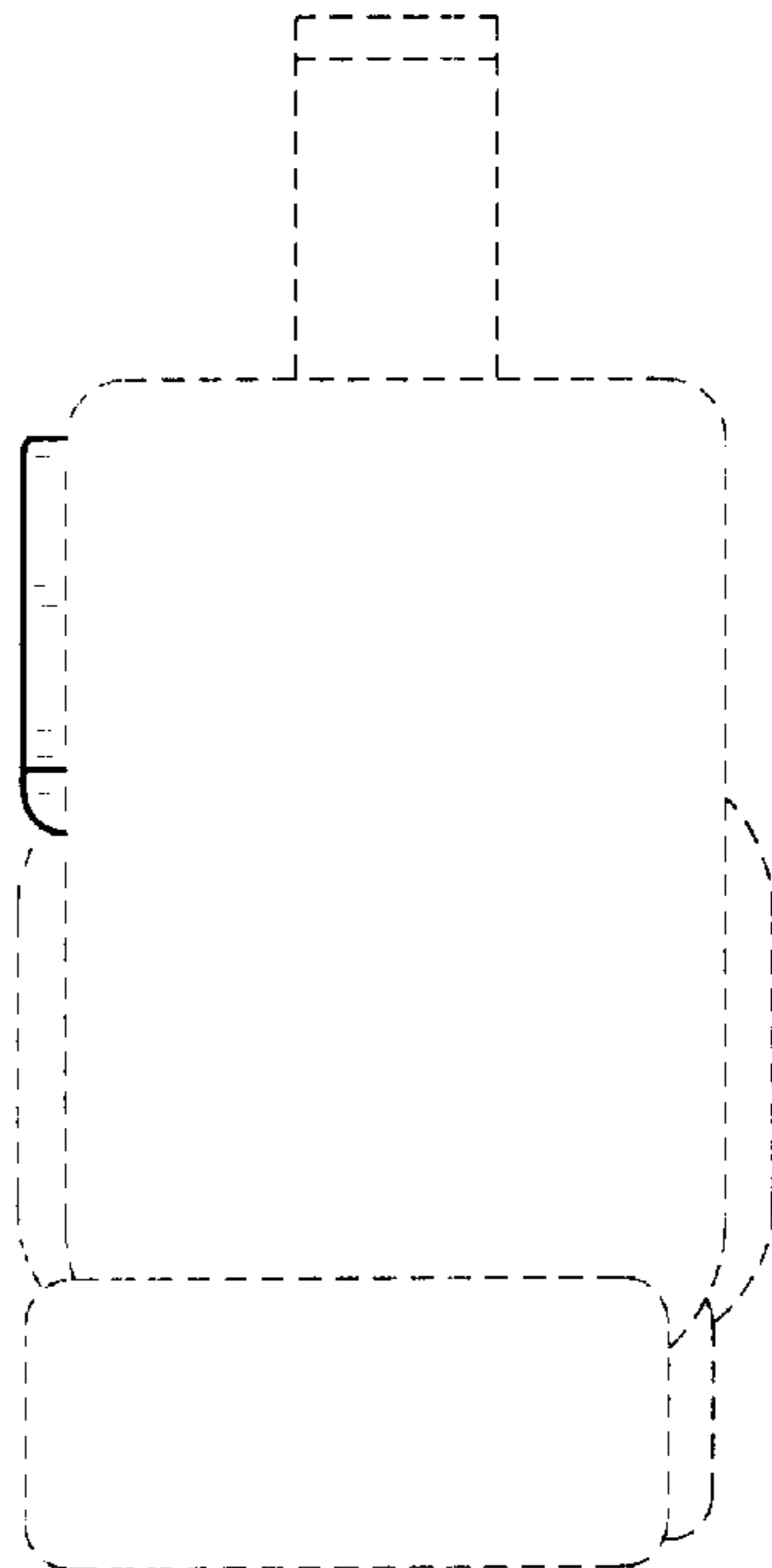


FIG. 6

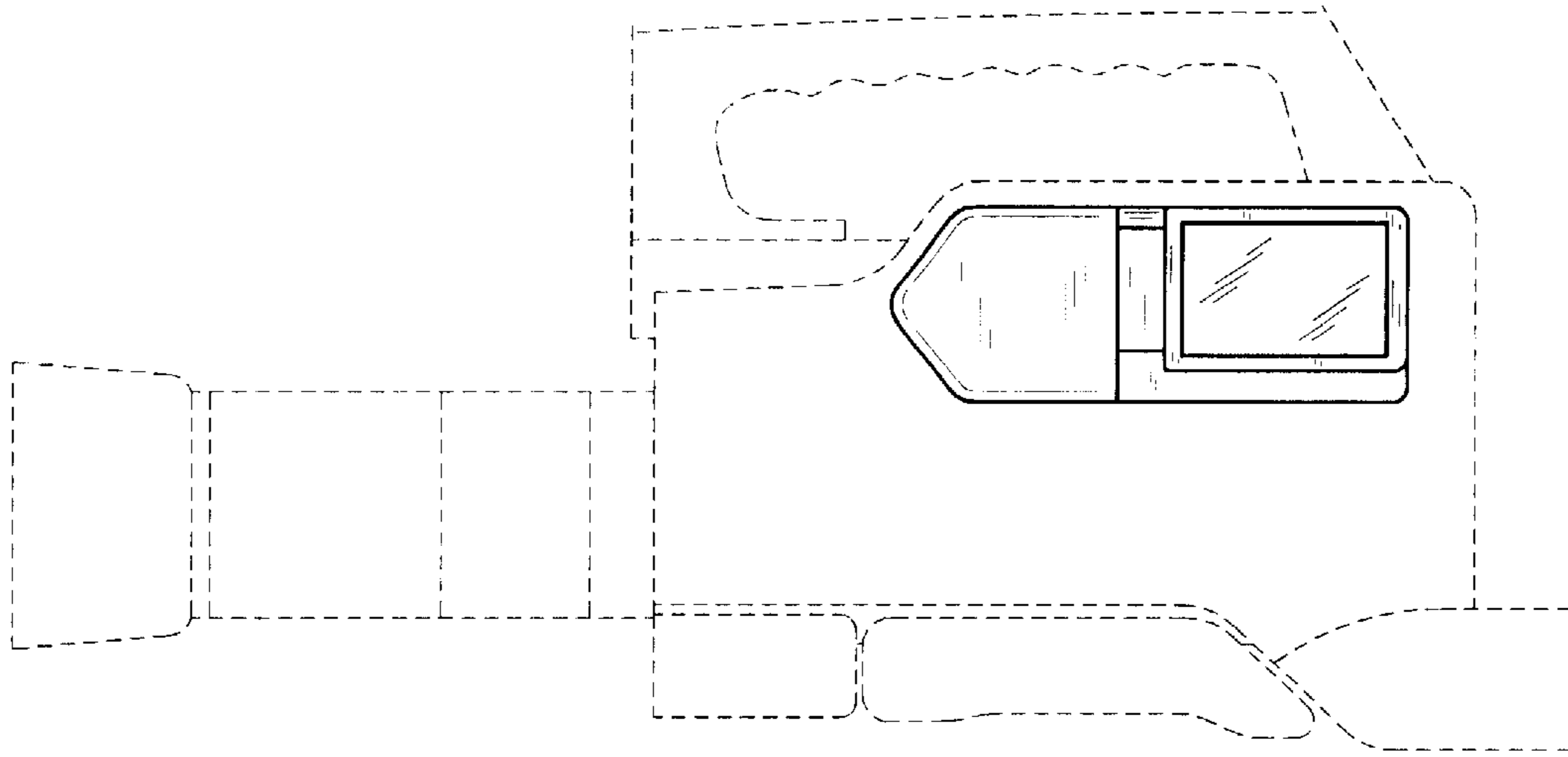


FIG. 7

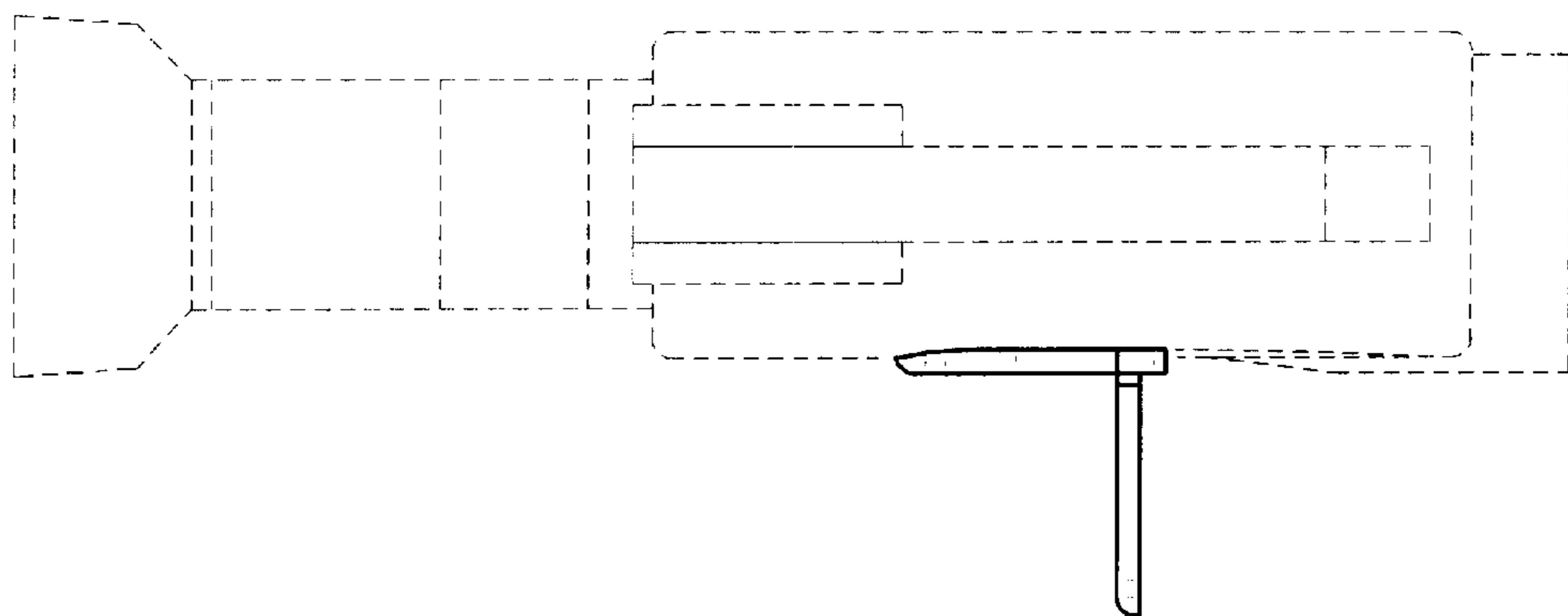


FIG. 8

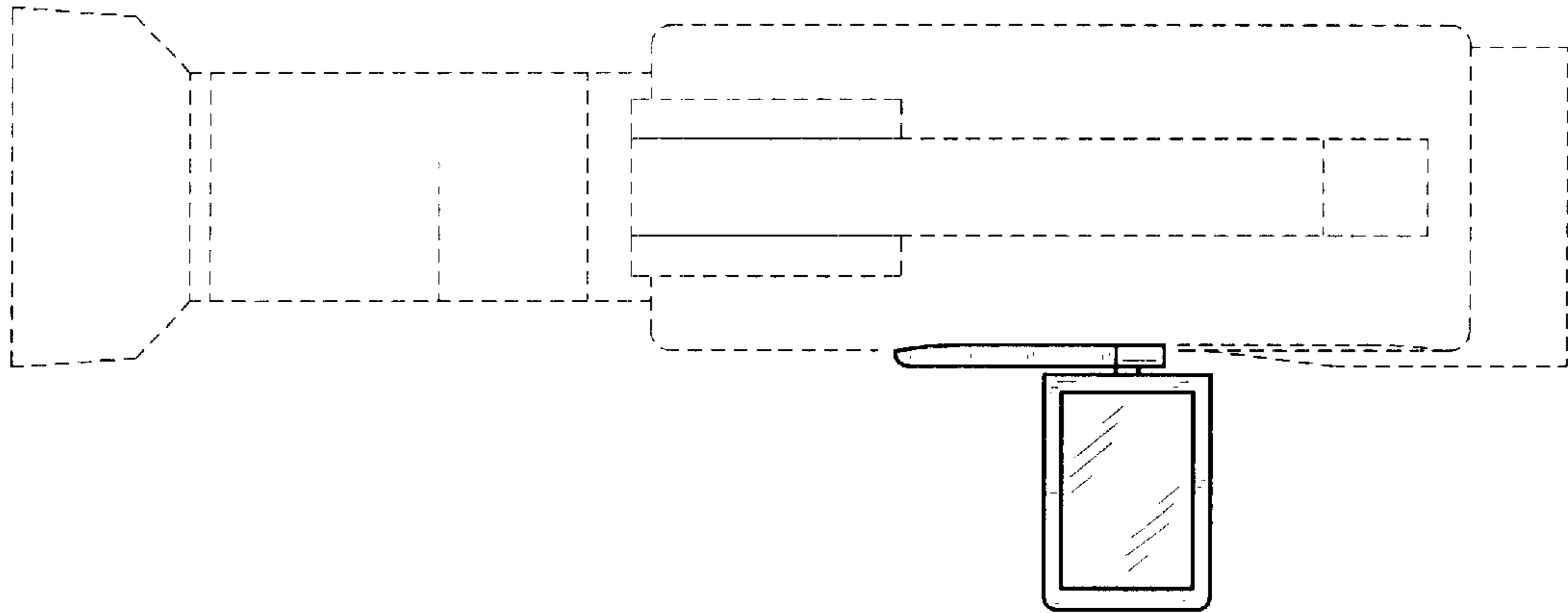


FIG. 9

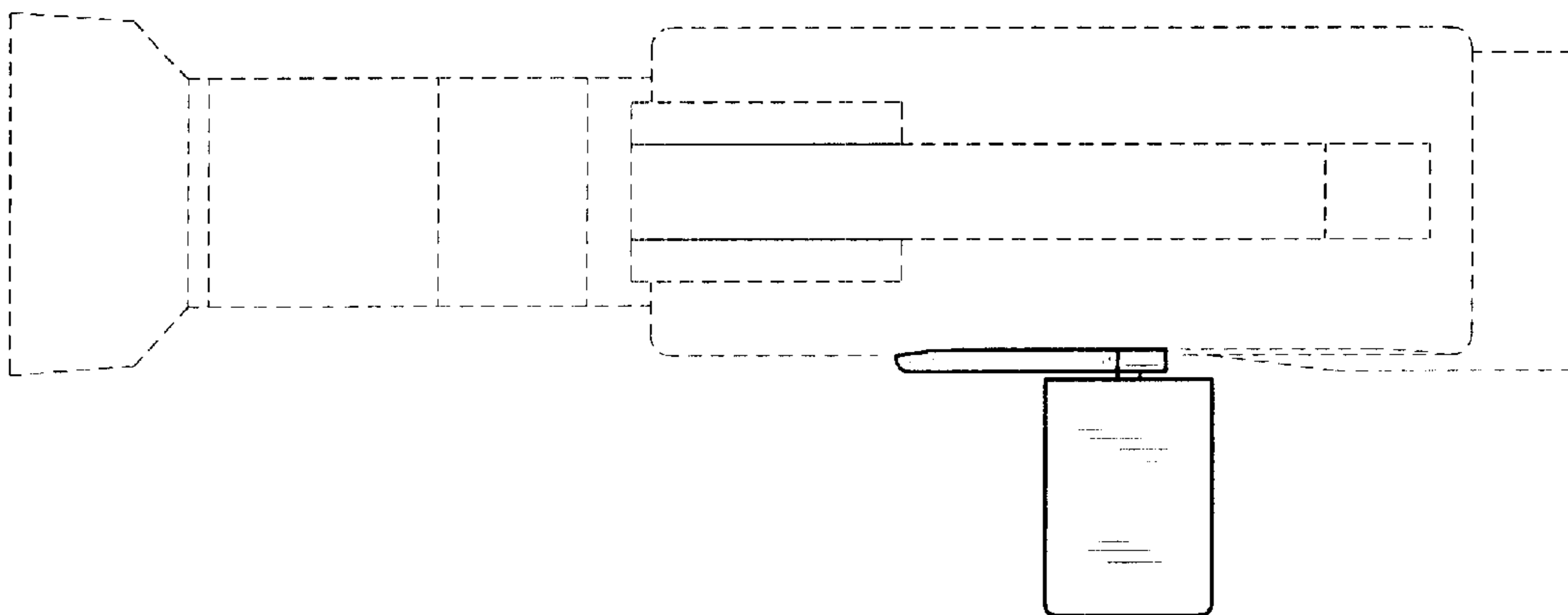


FIG. 10

