



US00D463470S

(12) **United States Design Patent**
Tse

(10) **Patent No.:** **US D463,470 S**

(45) **Date of Patent:** **** Sep. 24, 2002**

(54) **DIGITAL CAMERA**

D372,723 S * 8/1996 Schaefer et al. D16/209
D447,161 S * 8/2001 Alvarez et al. D16/202

(75) Inventor: **Chi Ming Tse, Tsuen Wan (CN)**

* cited by examiner

(73) Assignee: **Welback Enterprises Limited, Tsuen Wan (CN)**

Primary Examiner—Adir Aronovich

(74) *Attorney, Agent, or Firm*—Alix, Yale & Ristas, LLP

(**) Term: **14 Years**

(57) **CLAIM**

(21) Appl. No.: **29/150,733**

The ornamental design for a digital camera, as shown and described.

(22) Filed: **Nov. 28, 2001**

DESCRIPTION

(51) **LOC (7) Cl.** **16-01**

FIG. 1 is a front perspective view of the digital camera showing my new design;

(52) **U.S. Cl.** **D16/202; D16/209**

FIG. 2 is a front view of the digital camera of FIG. 1;

(58) **Field of Search** **D16/200–205, D16/208, 209, 218; 348/373–376; 396/535–541**

FIG. 3 is a rear view of the digital camera of FIG. 1;

FIG. 4 is a left side view of the digital camera of FIG. 1;

FIG. 5 is a right side view of the digital camera of FIG. 1;

FIG. 6 is a top plan view of the digital camera of FIG. 1; and,

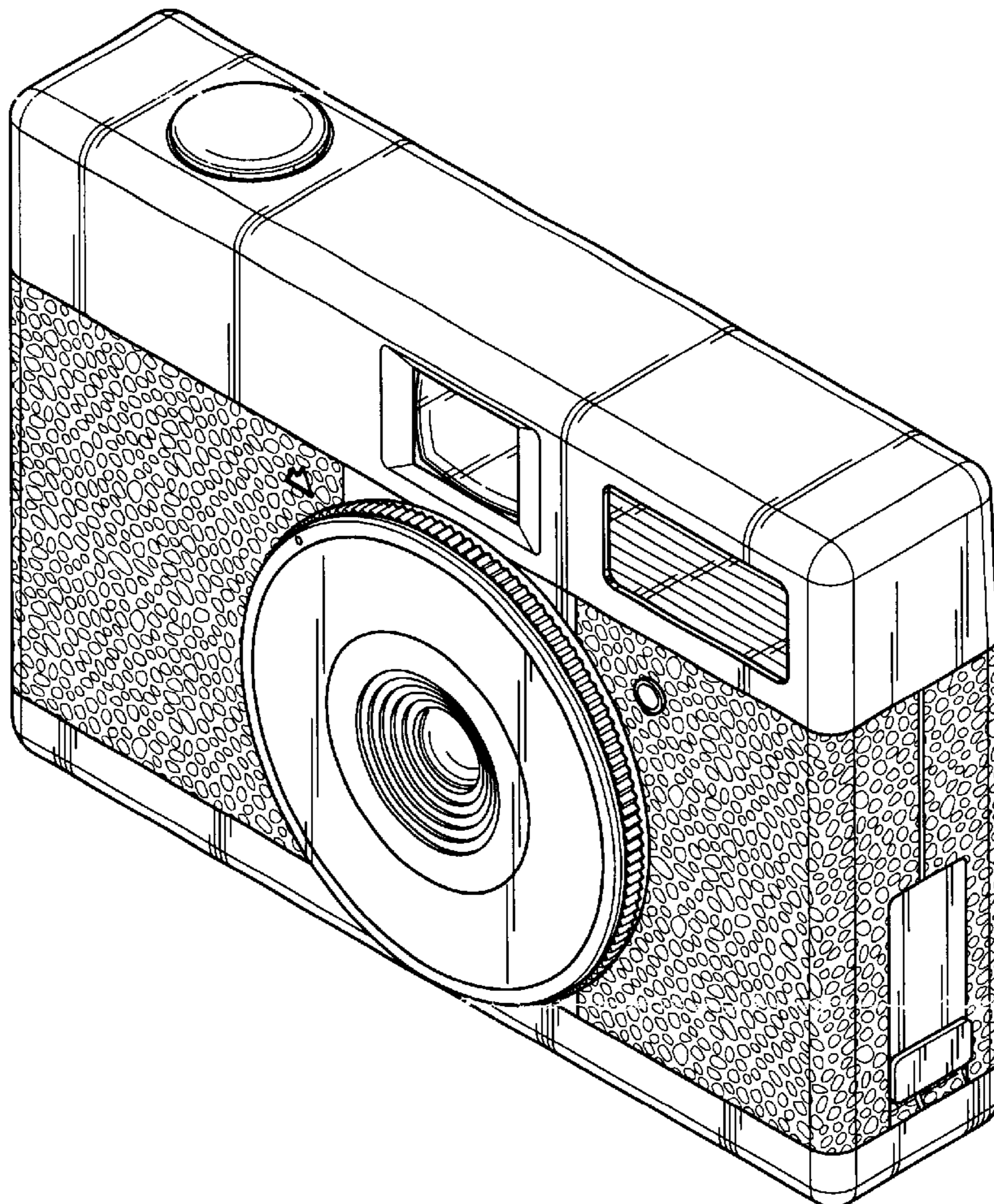
FIG. 7 is a bottom plan view of the digital camera of FIG. 1.

(56) **References Cited**

U.S. PATENT DOCUMENTS

D296,110 S * 6/1988 Suyama et al. D16/209
5,258,793 A * 11/1993 Tsuji et al. 396/536
D356,809 S * 3/1995 Suyama et al. D16/209
D359,975 S * 7/1995 Meinzer et al. D16/209

1 Claim, 3 Drawing Sheets



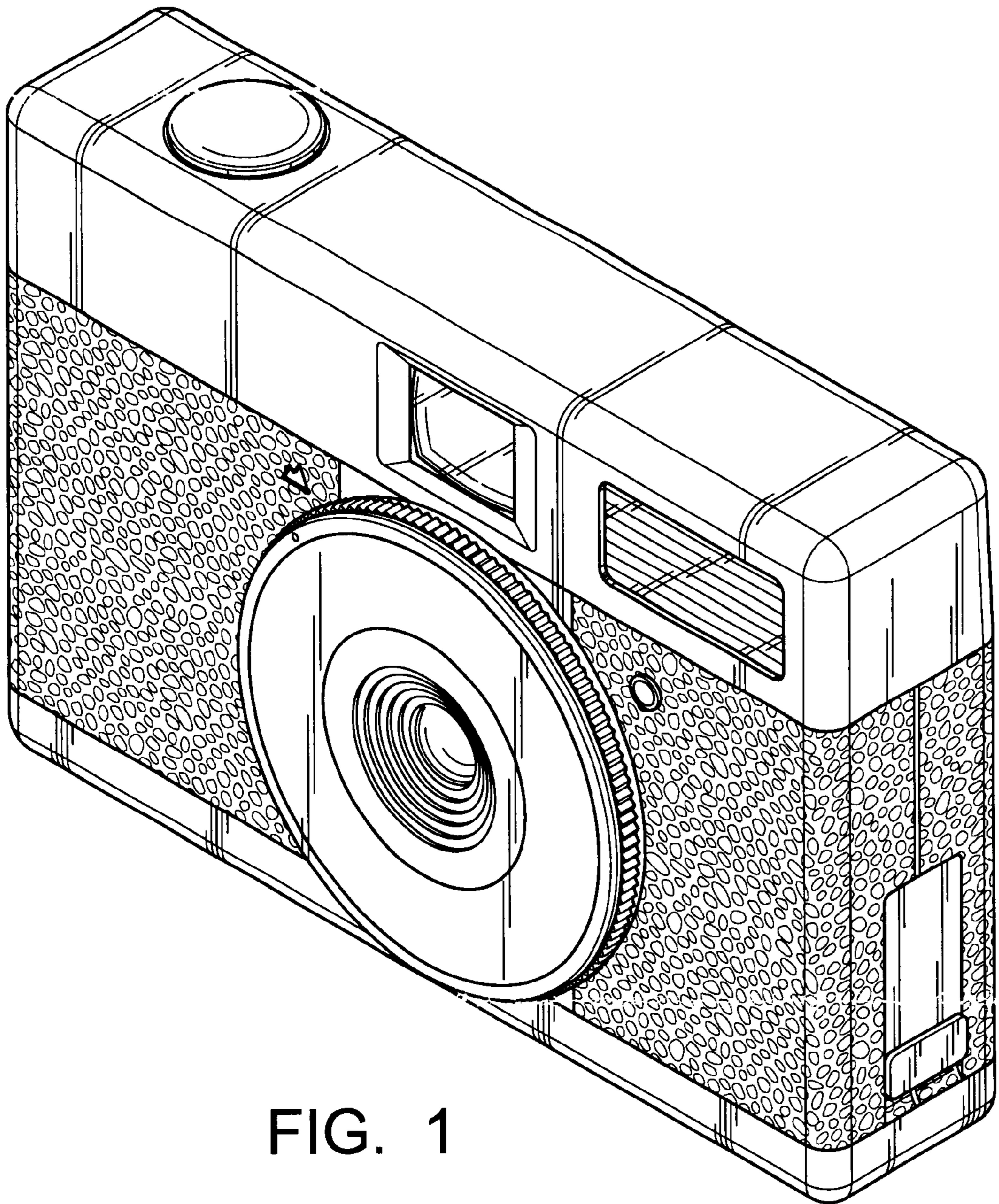


FIG. 1

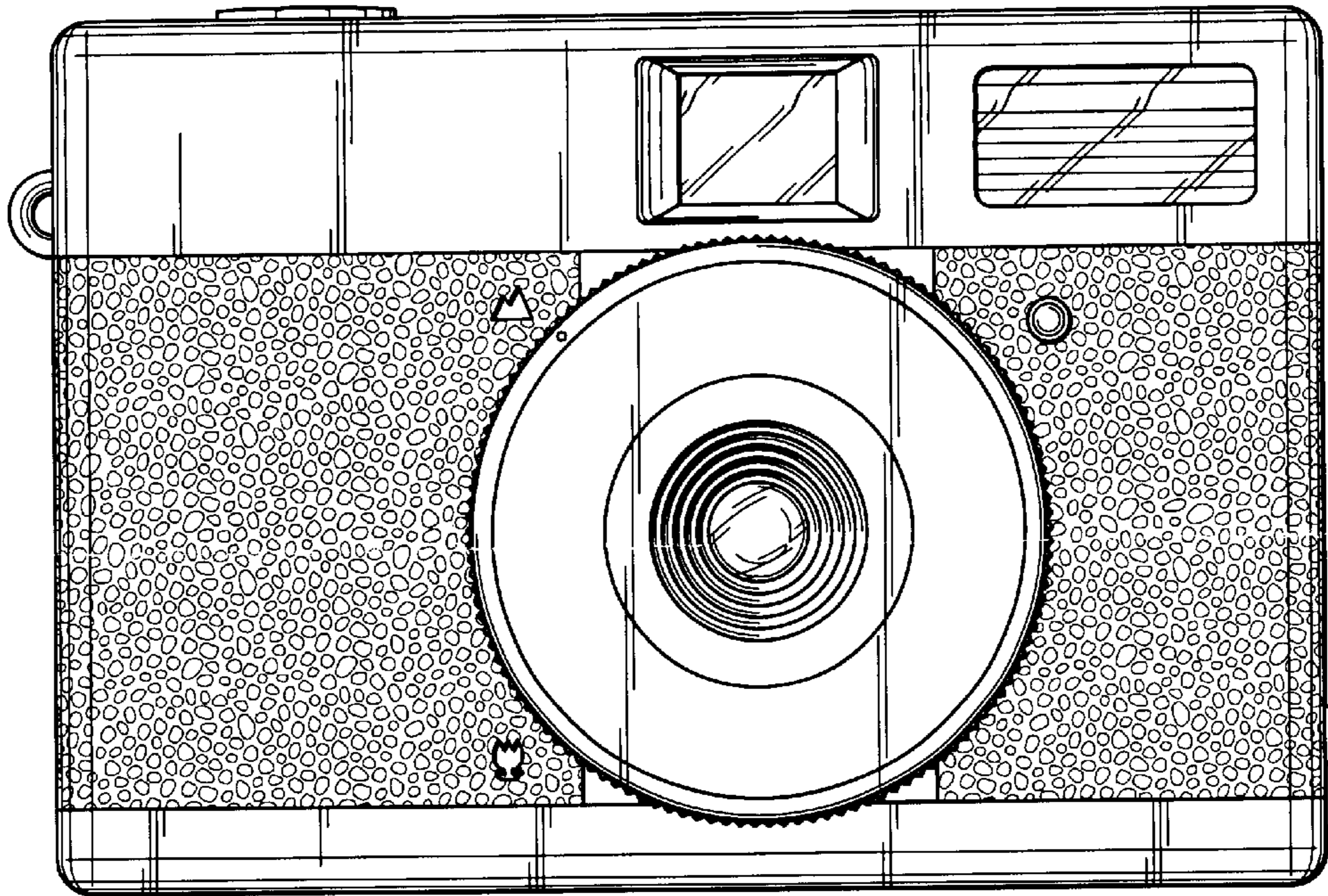


FIG. 2

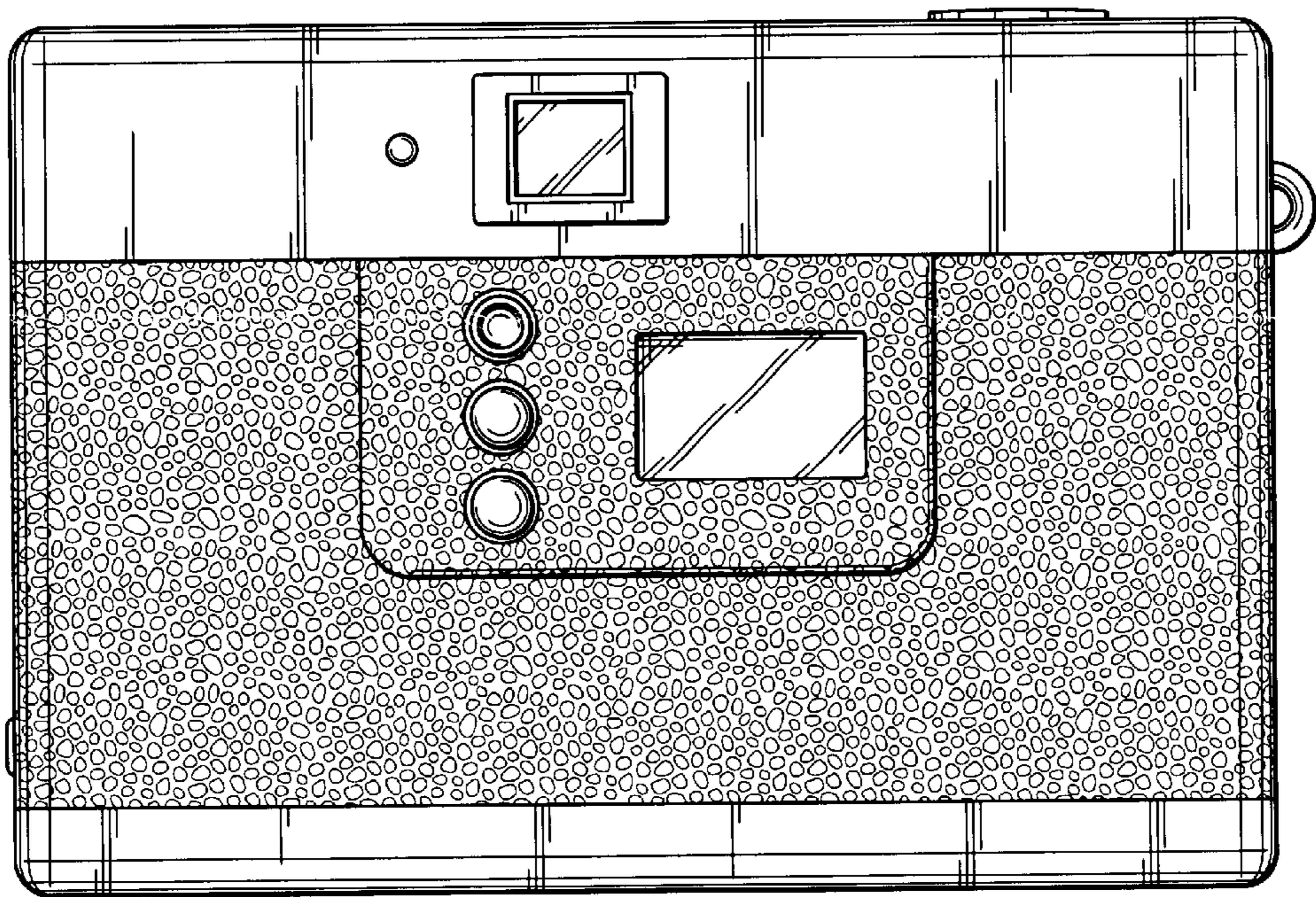


FIG. 3

FIG. 4

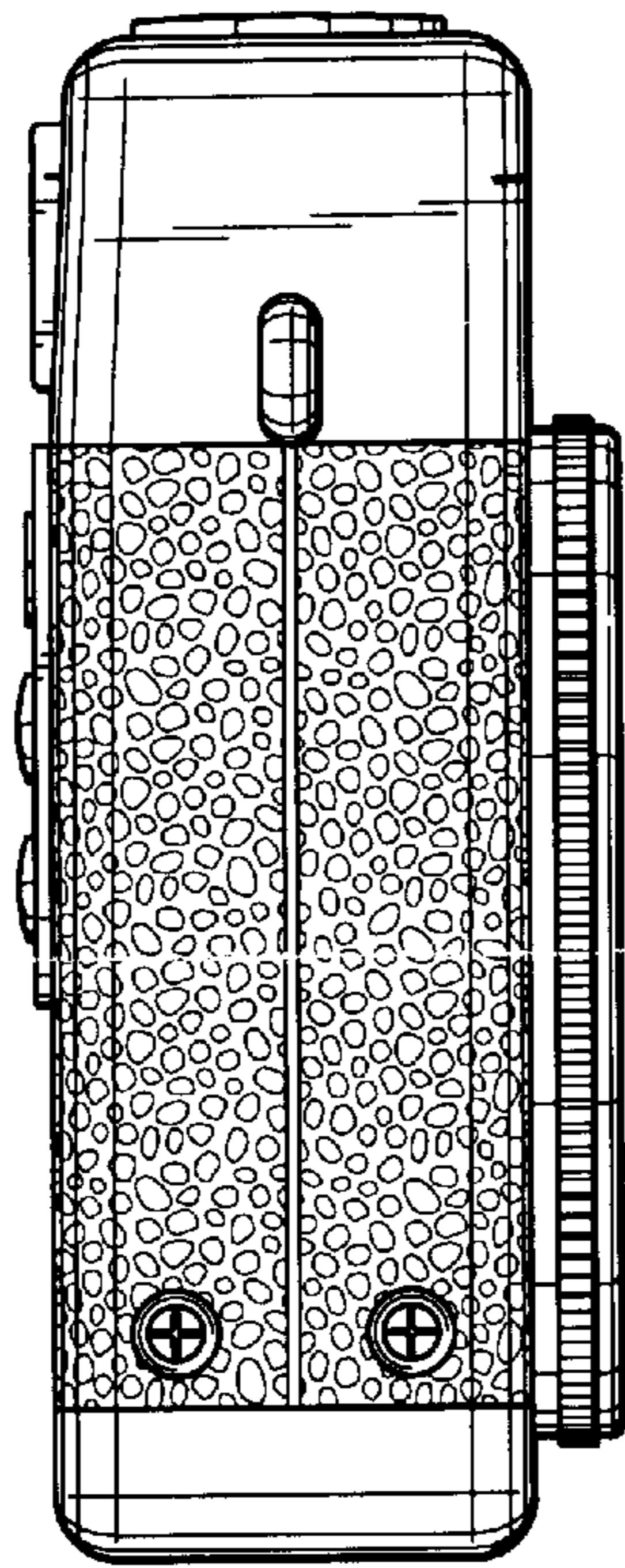


FIG. 5

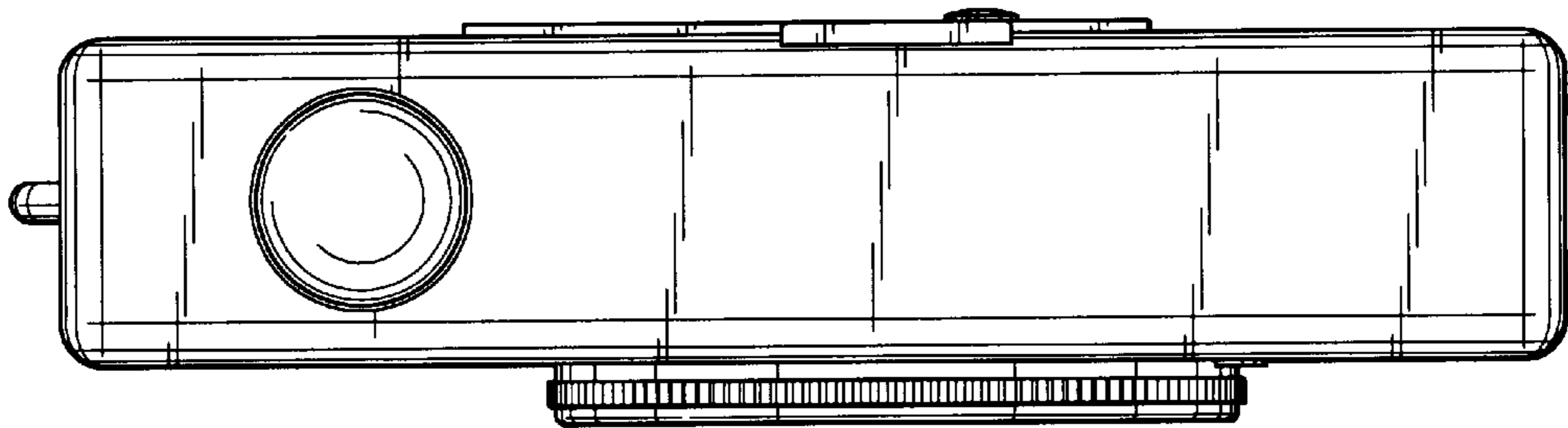
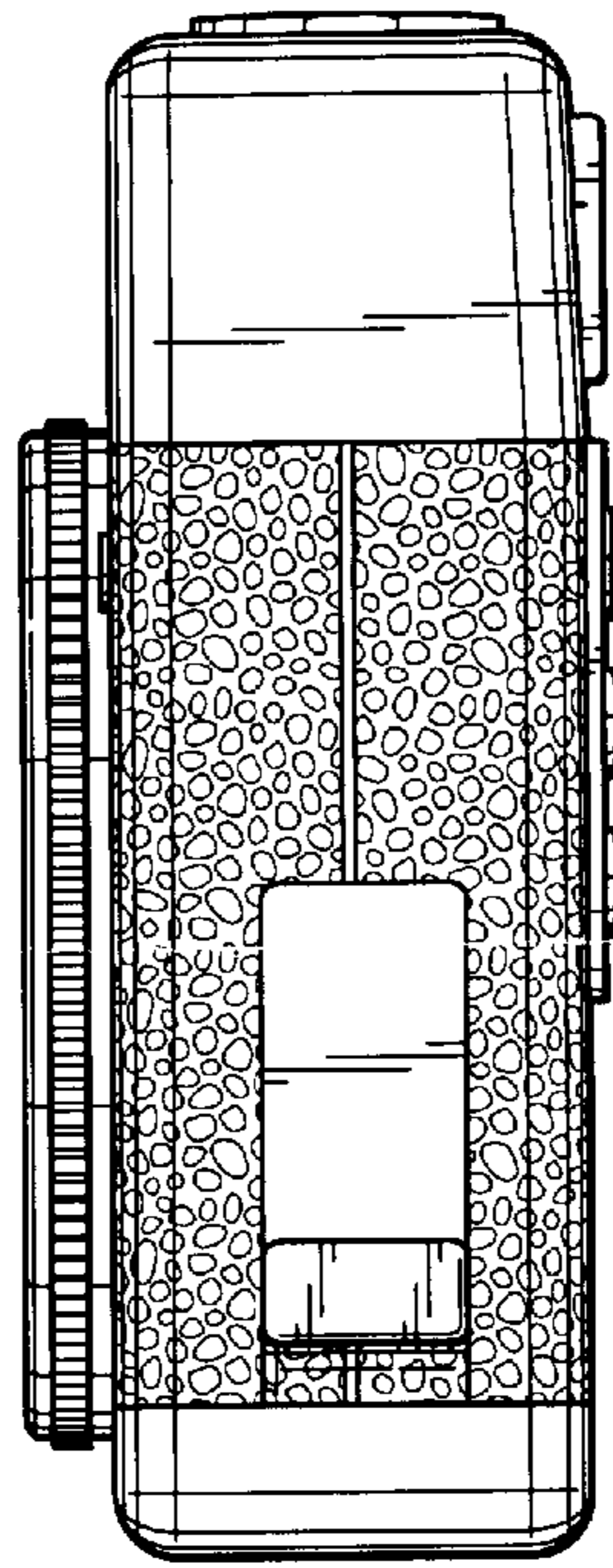


FIG. 6

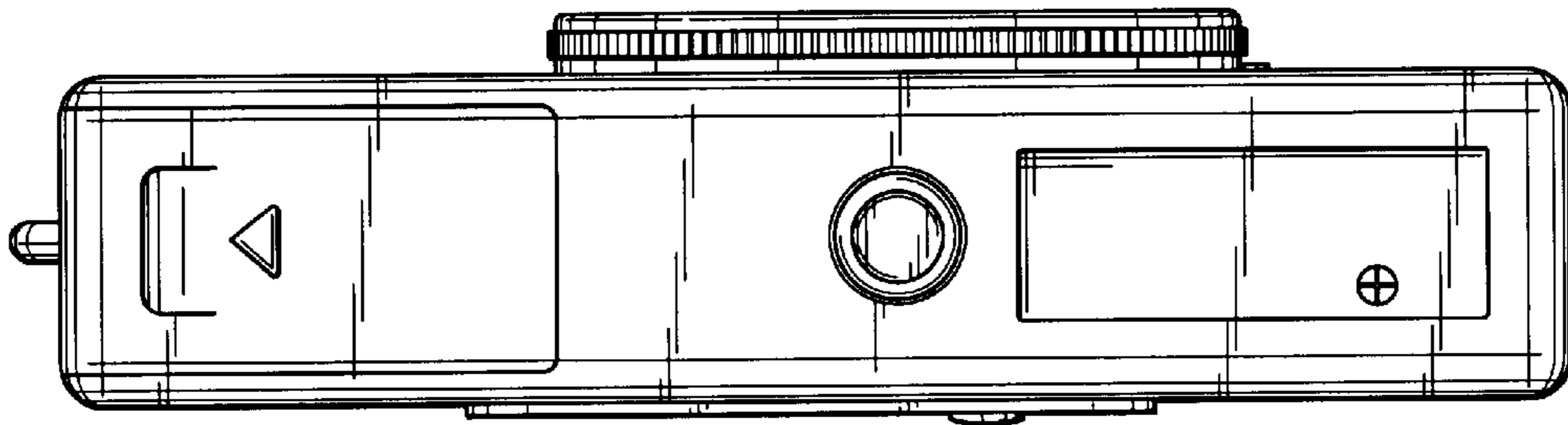


FIG. 7