



US00D463469S

(12) **United States Design Patent**
Kawase

(10) **Patent No.:** **US D463,469 S**

(45) **Date of Patent:** **** Sep. 24, 2002**

(54) **COMBINED VIDEO CAMERA AND VIDEO TAPE RECORDER**

(75) Inventor: **Atsushi Kawase**, Tokyo (JP)
(73) Assignee: **Sony Corporation**, Tokyo (JP)
(**) Term: **14 Years**

(21) Appl. No.: **29/150,066**
(22) Filed: **Nov. 2, 2001**

(51) **LOC (7) Cl.** **16-01**
(52) **U.S. Cl.** **D16/202**
(58) **Field of Search** **D16/200-205,**
D16/208, 209, 218; 348/373-376; 358/906;
352/242, 243; 396/535-541

(56) **References Cited**

U.S. PATENT DOCUMENTS

5,592,224	A	*	1/1997	Shim	348/373
D391,588	S		3/1998	Sumita	D16/202
5,739,598	A	*	4/1998	Hattori et al.	348/375
D404,051	S		1/1999	Ishii	D16/219
D407,097	S	*	3/1999	Suzuki et al.	D16/202
D426,843	S	*	6/2000	Tanaka	D16/202
D429,267	S		8/2000	Sumita et al.	D16/202
D431,582	S		10/2000	Sumita et al.	D16/202
D435,575	S		12/2000	Kanatani	D16/202
D446,800	S	*	8/2001	Fukushima et al.	D16/202

FOREIGN PATENT DOCUMENTS

JP	1095965	1/2001
JP	1095991	1/2001

OTHER PUBLICATIONS

Catalog "Sony Handycam", p. 16, Sony Corporation (Jun. 1999).
Catalog "Sony Handycam", p. 15, Sony Corporation (Dec. 2000).

* cited by examiner

Primary Examiner—Adir Aronovich

(74) *Attorney, Agent, or Firm*—Rader, Fishman & Grauer, PLLC

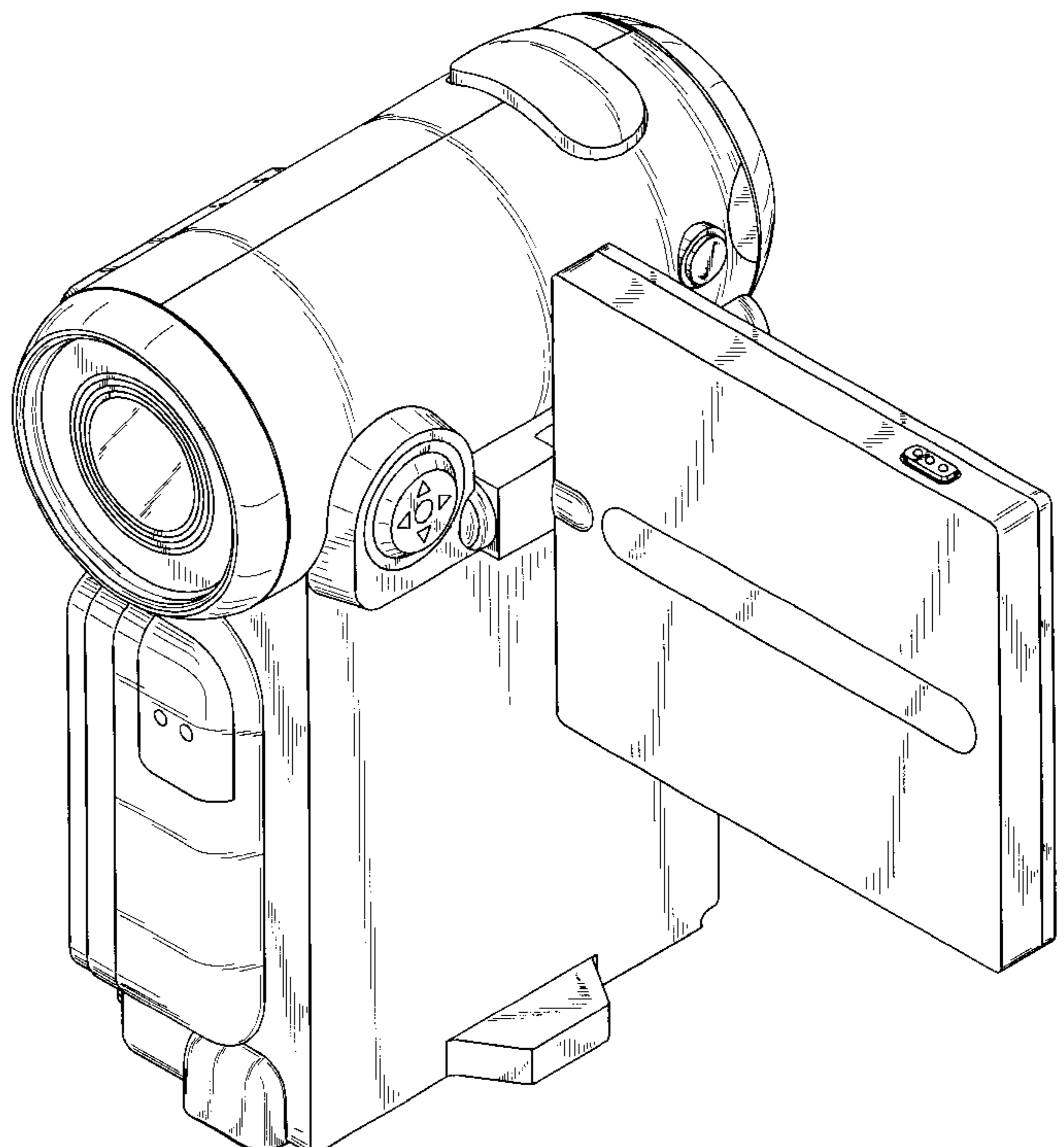
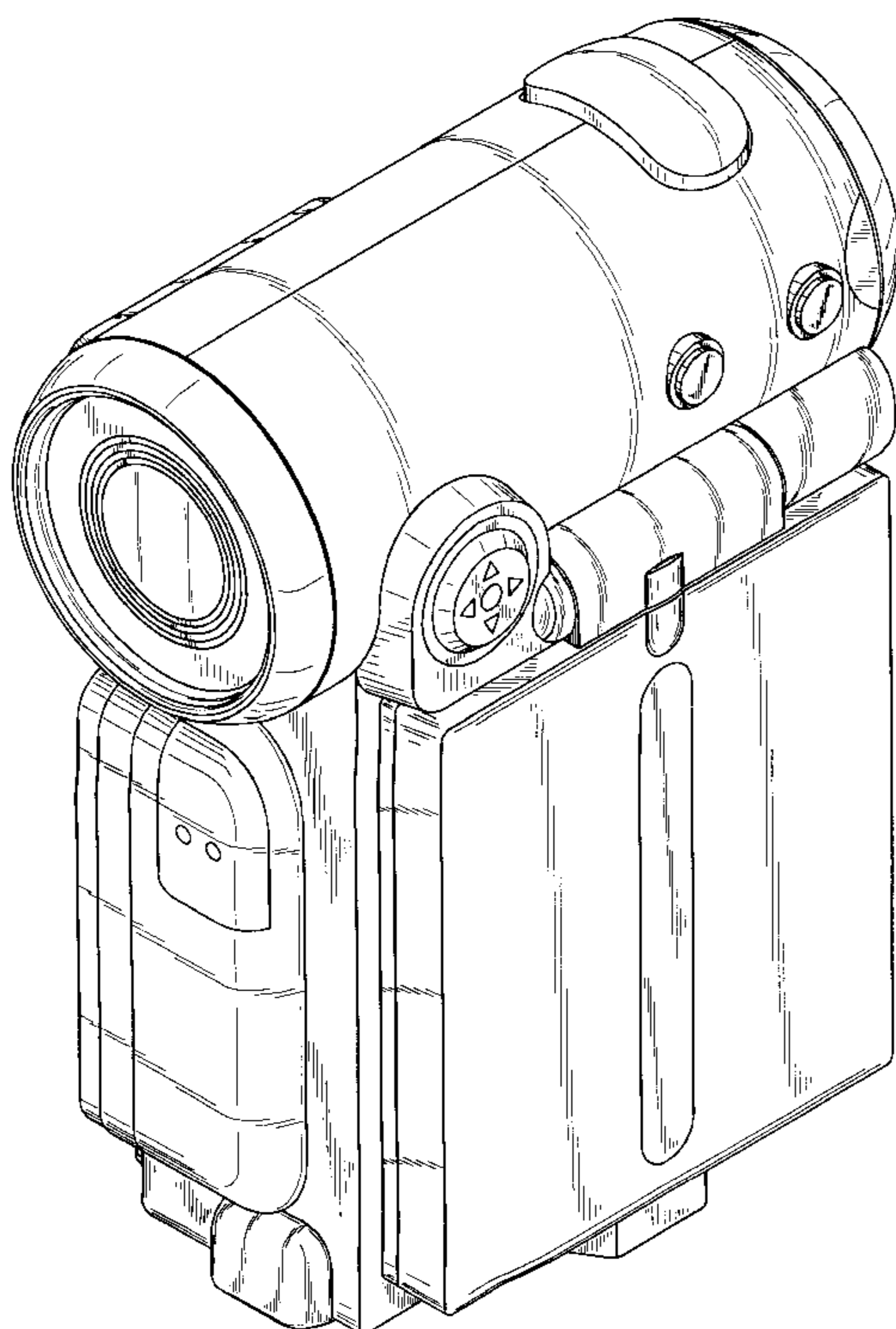
(57) **CLAIM**

The ornamental design for a combined video camera and video tape recorder, as shown and described.

DESCRIPTION

FIG. 1 is a perspective view of a combined video camera and video tape recorder showing my new design;
FIG. 2 is a front elevational view thereof;
FIG. 3 is a rear elevational view thereof;
FIG. 4 is a left side elevational view thereof;
FIG. 5 is a right side elevational view thereof;
FIG. 6 is a top plan view thereof;
FIG. 7 is a bottom plan view thereof;
FIG. 8 is another perspective view thereof, wherein the video camera is in a first alternating position;
FIG. 9 is yet another perspective view thereof, wherein the video camera is in a second alternating position;
FIG. 10 is yet another perspective view thereof, wherein the video camera is in a third alternating position; and,
FIG. 11 is yet another perspective view thereof, wherein the video camera is in a fourth alternating position.

1 Claim, 8 Drawing Sheets



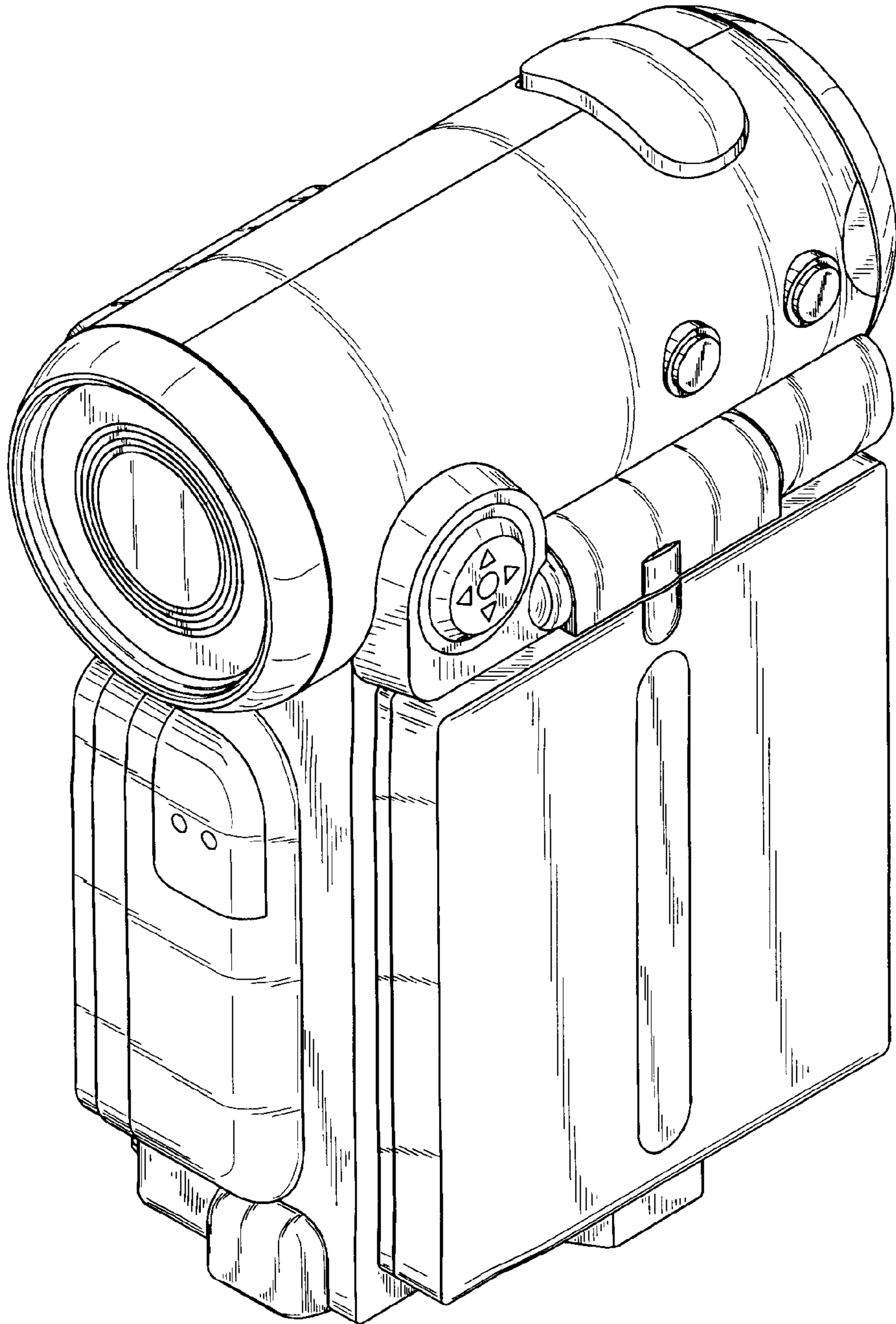


Fig. 1

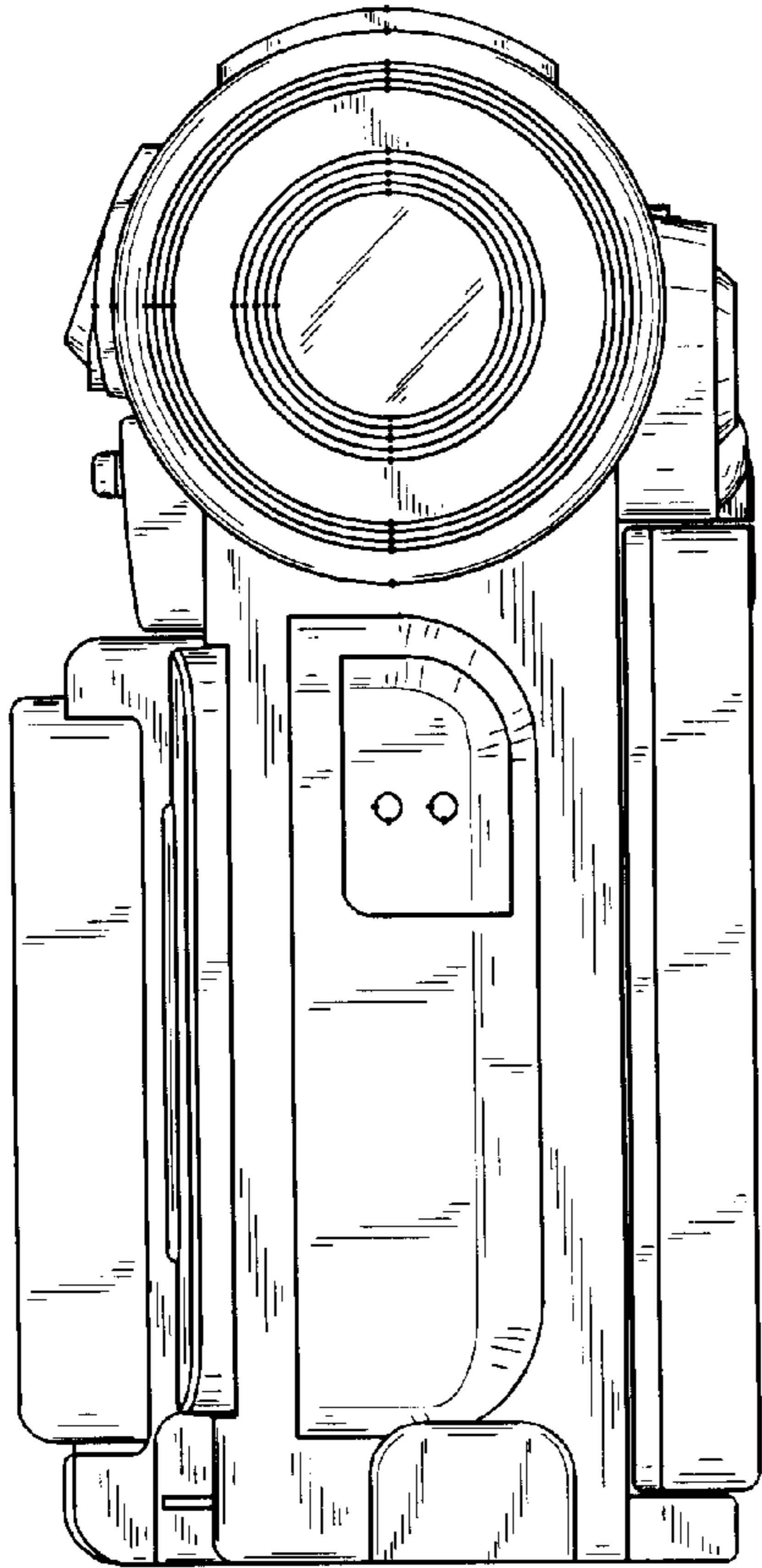


Fig. 2

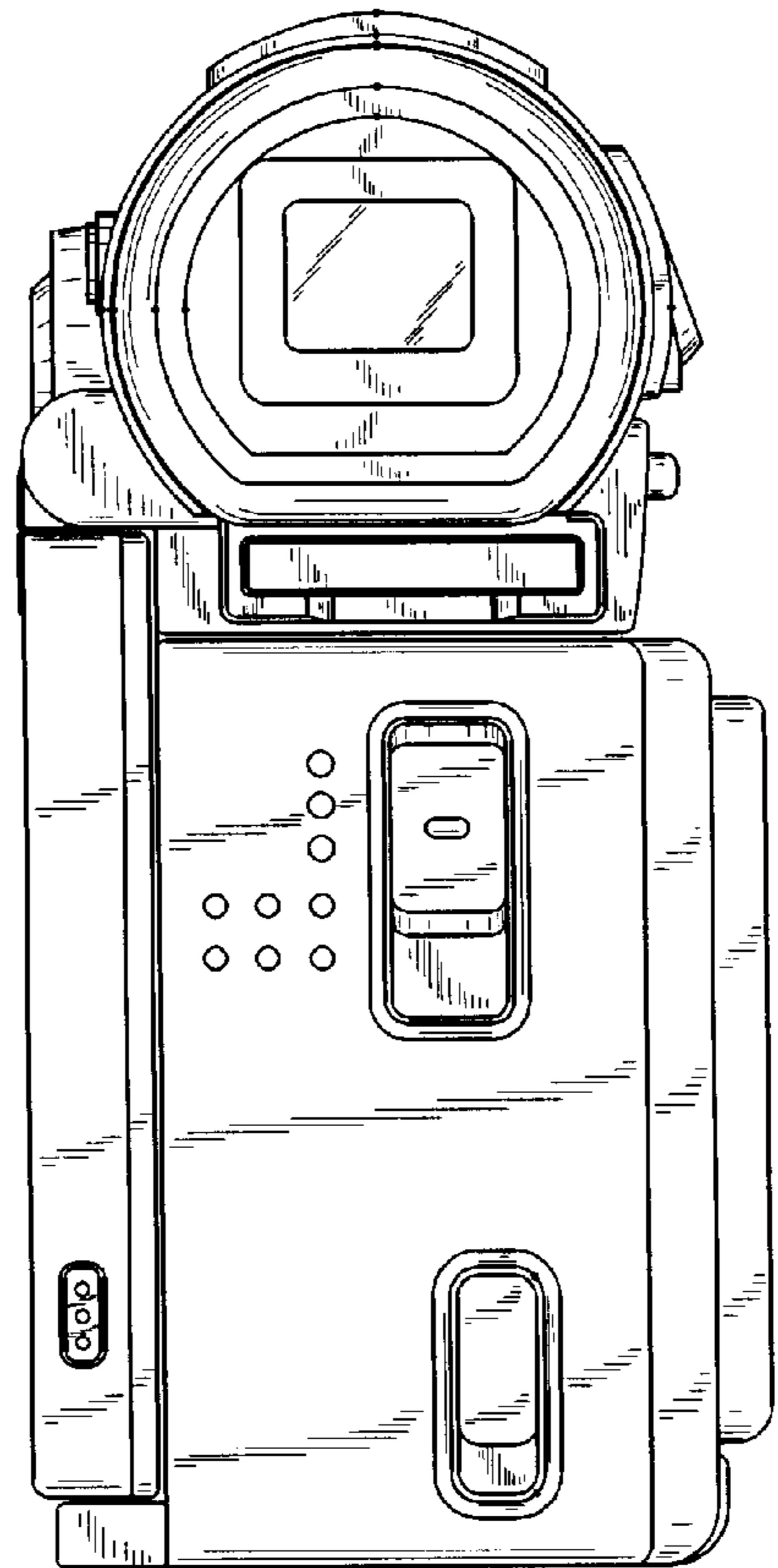


Fig. 3

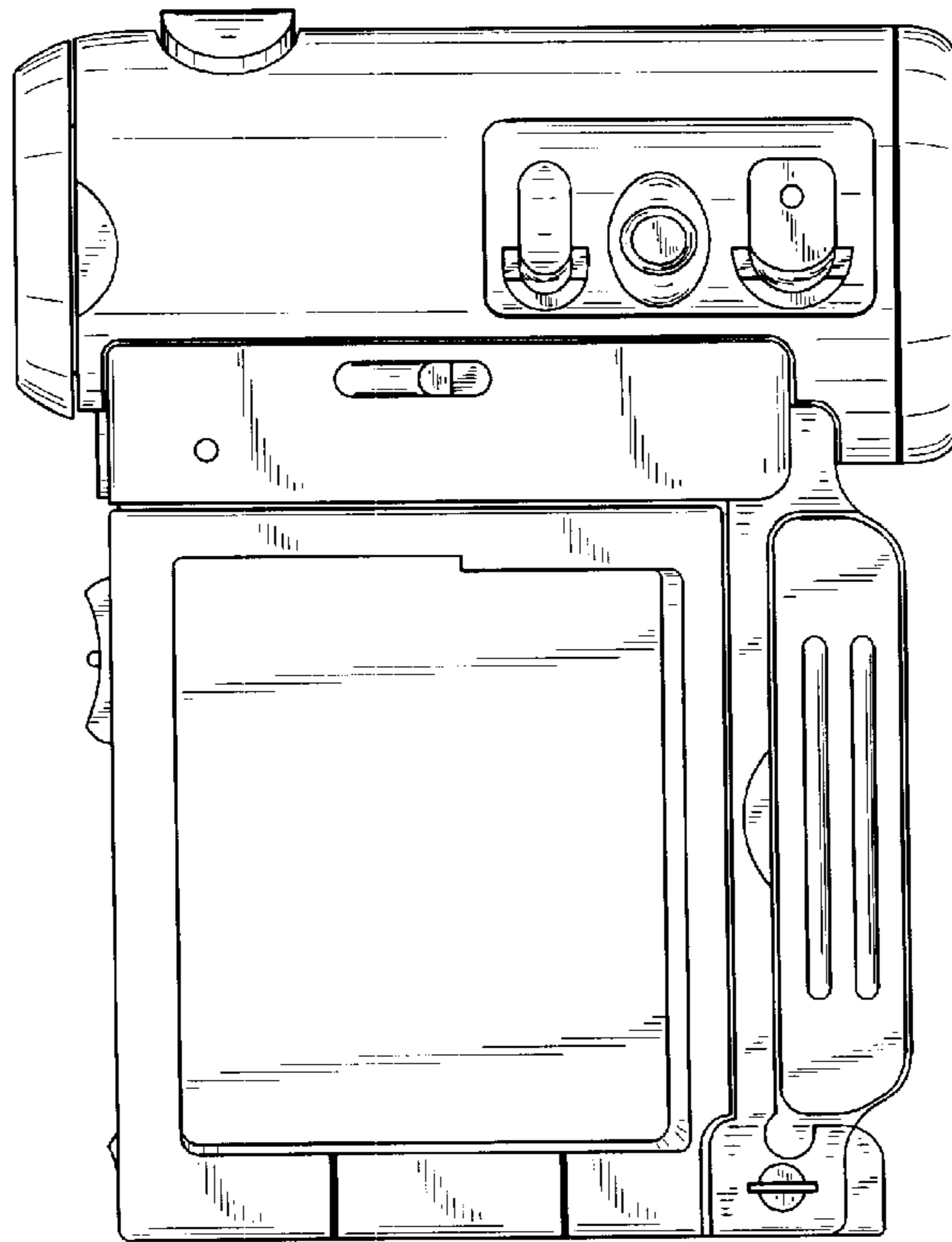


Fig. 4

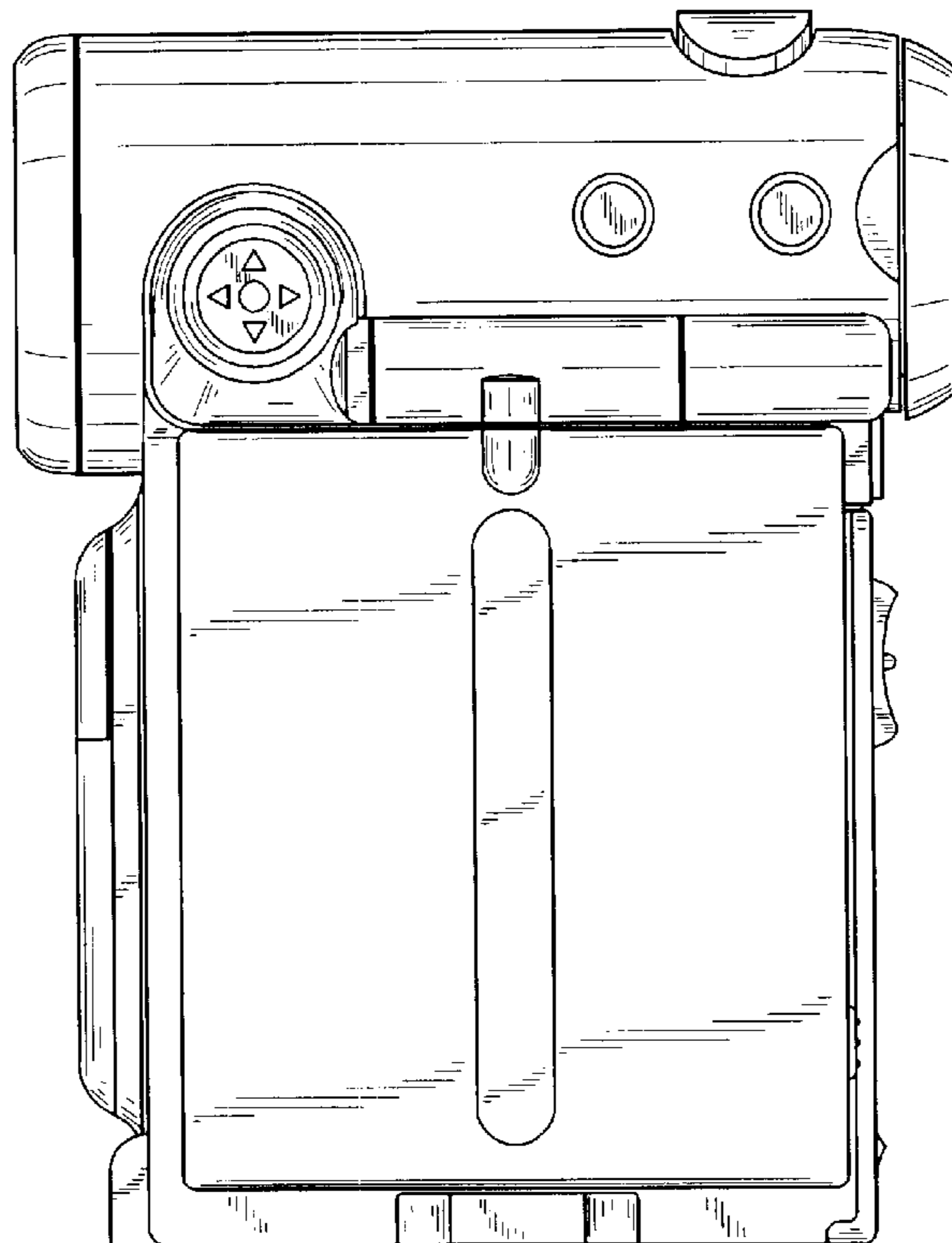


Fig. 5

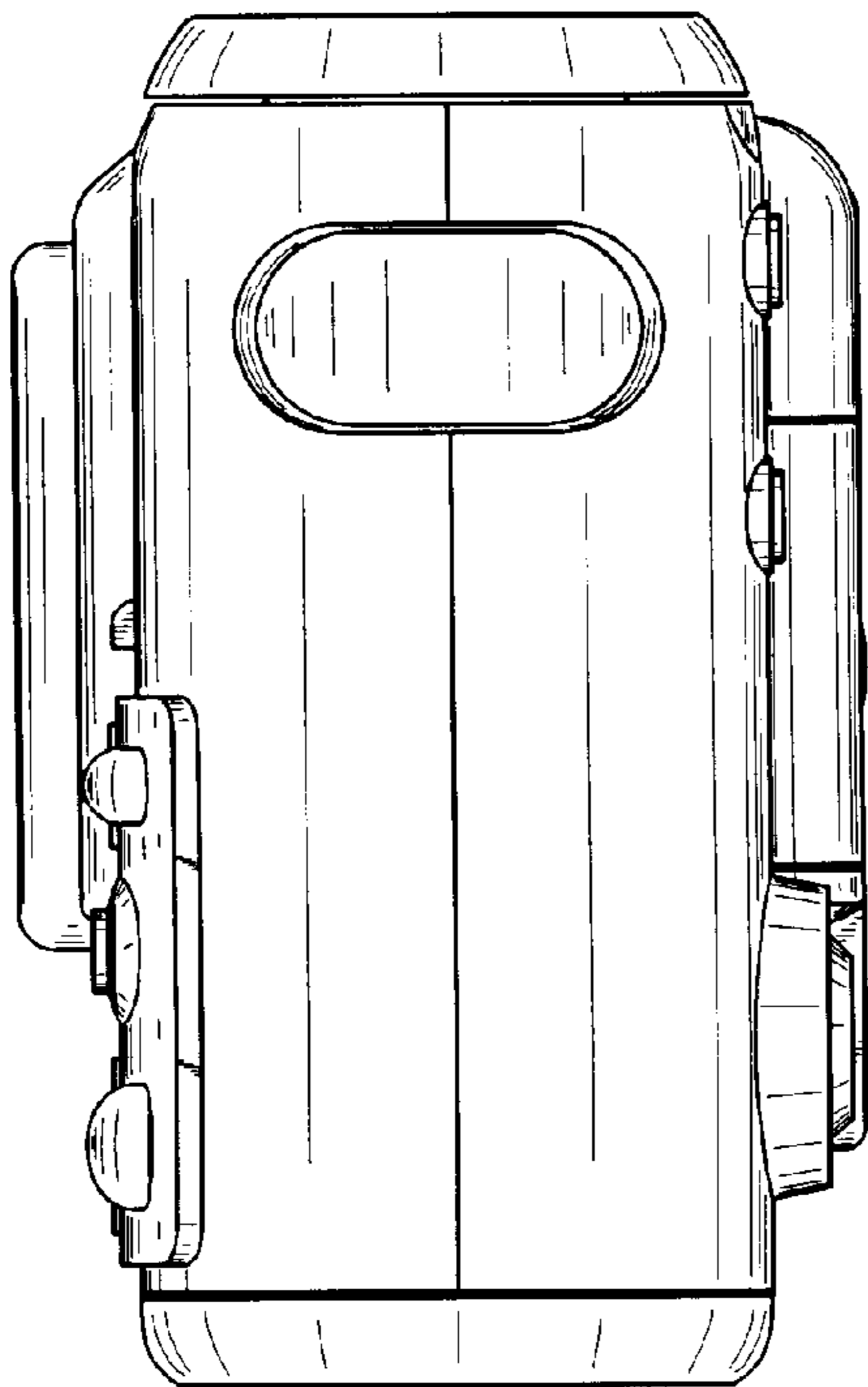


Fig. 6

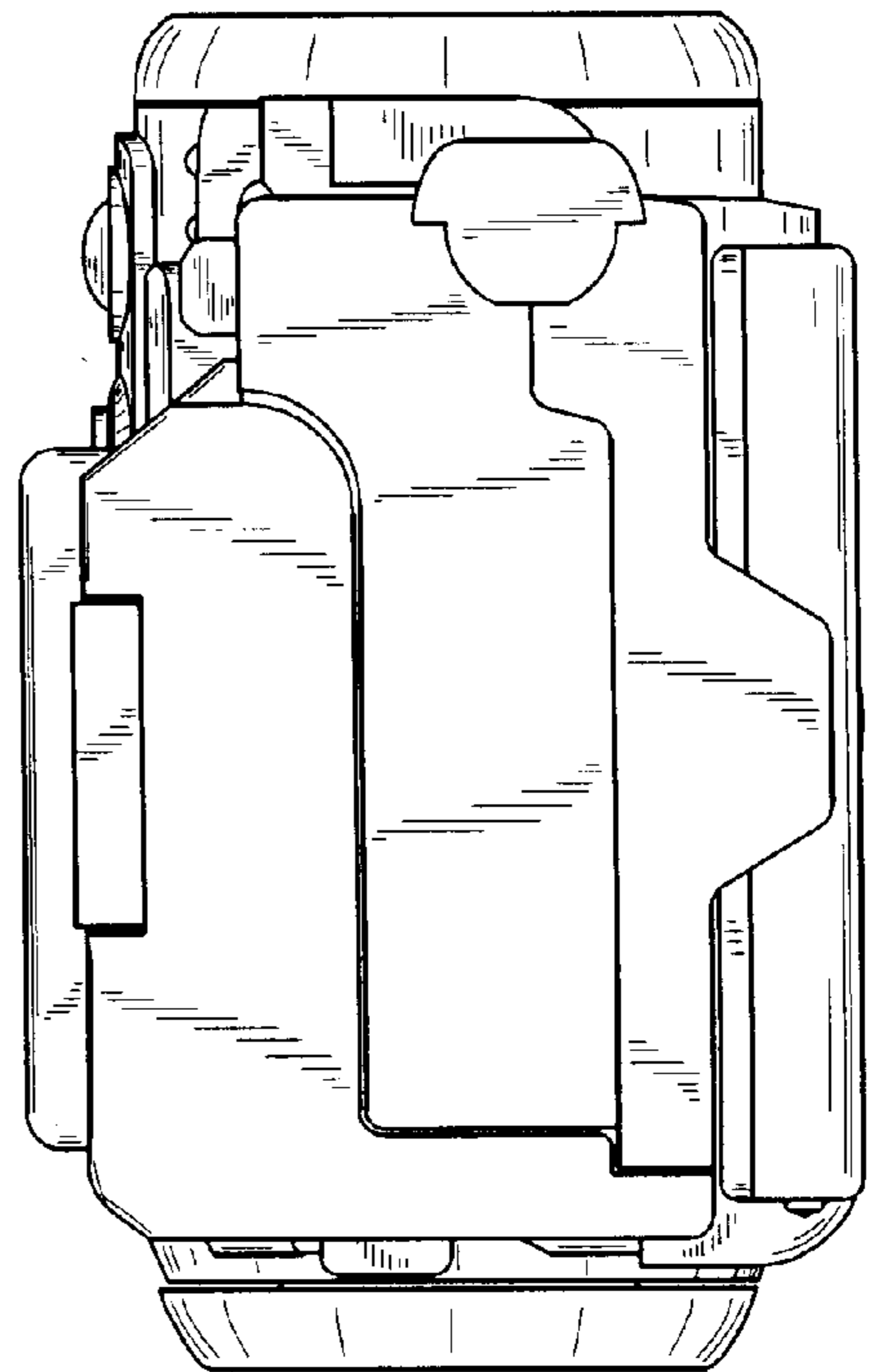


Fig. 7

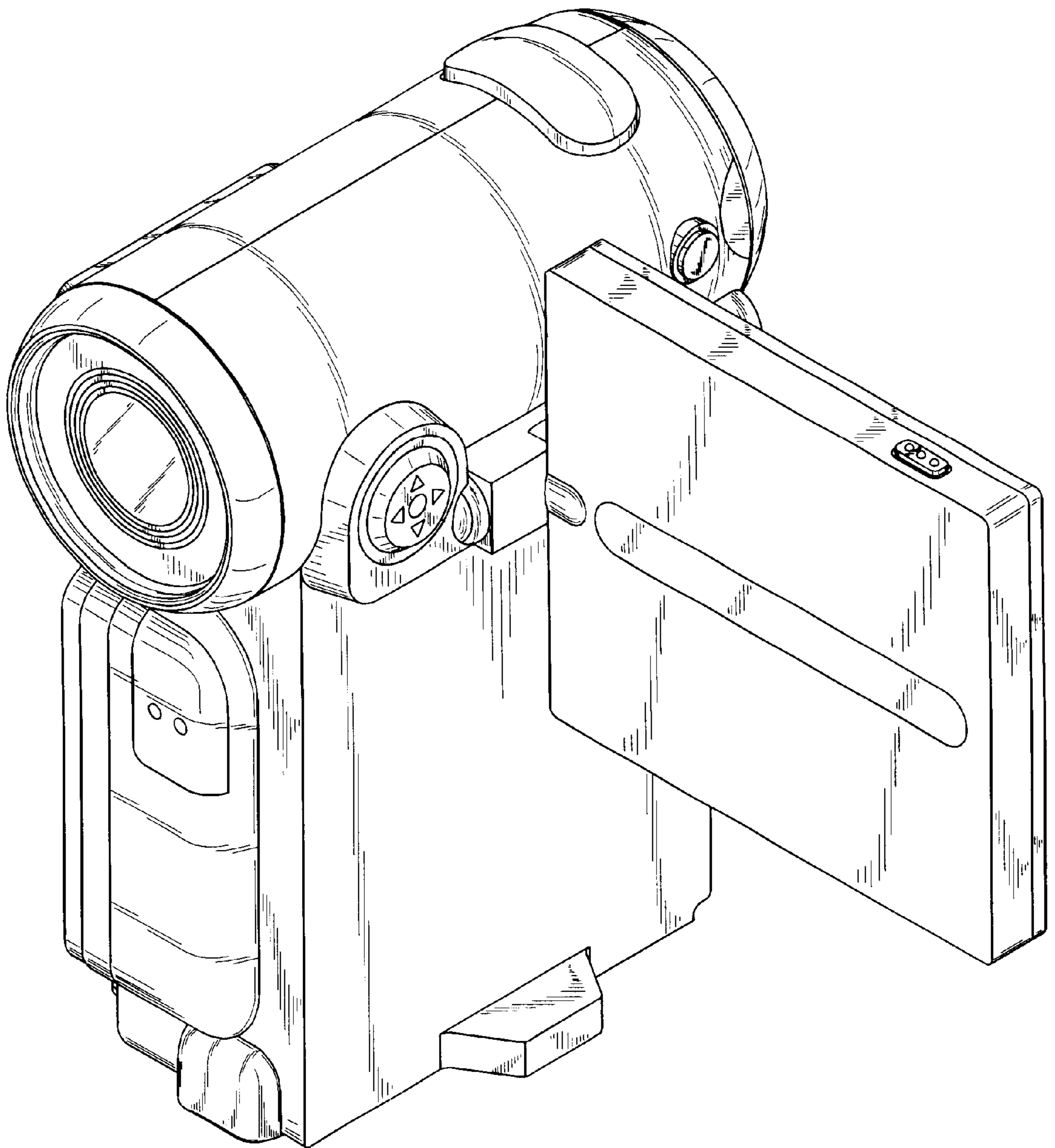


Fig. 8

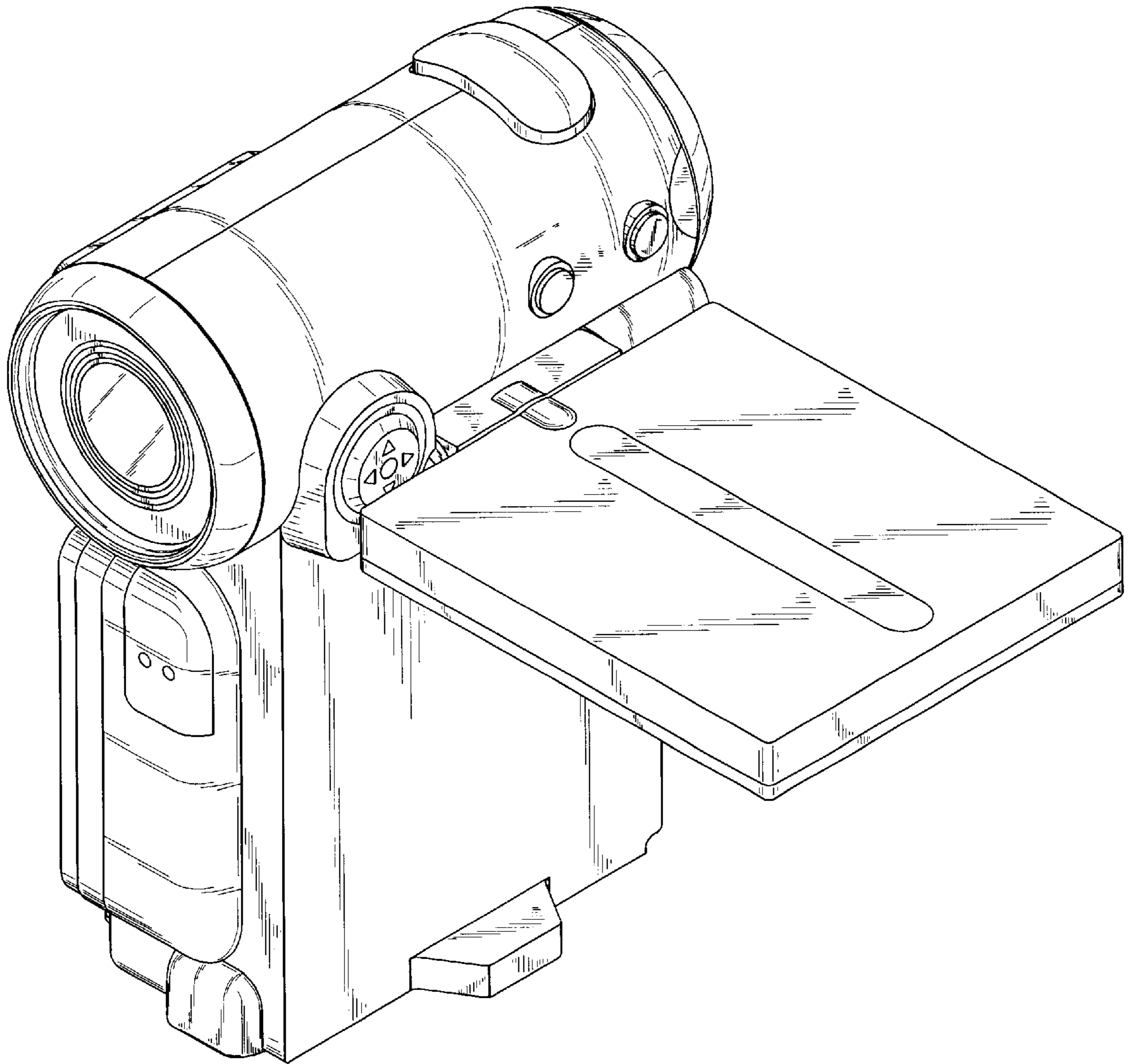


Fig. 9

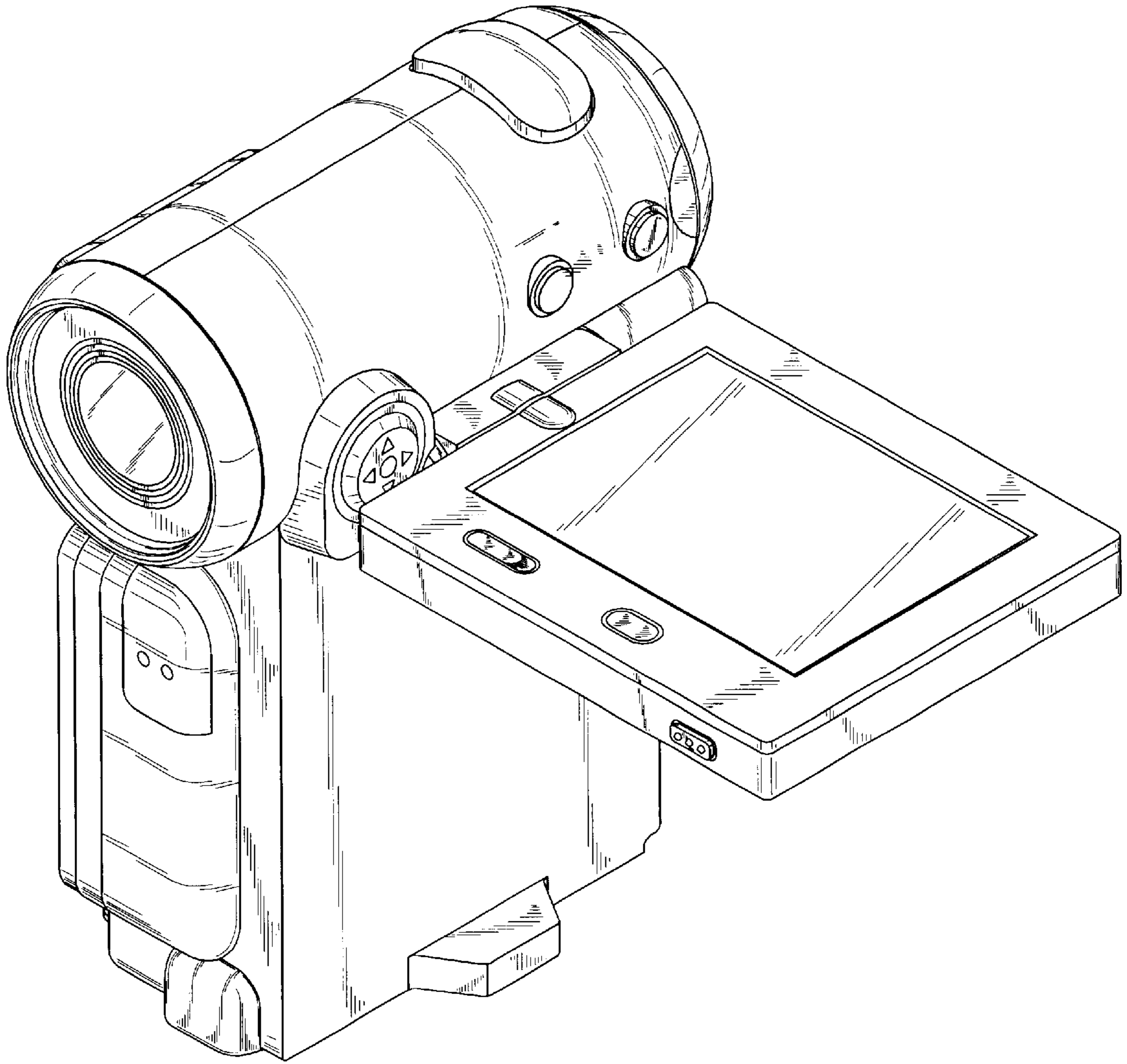


Fig. 10

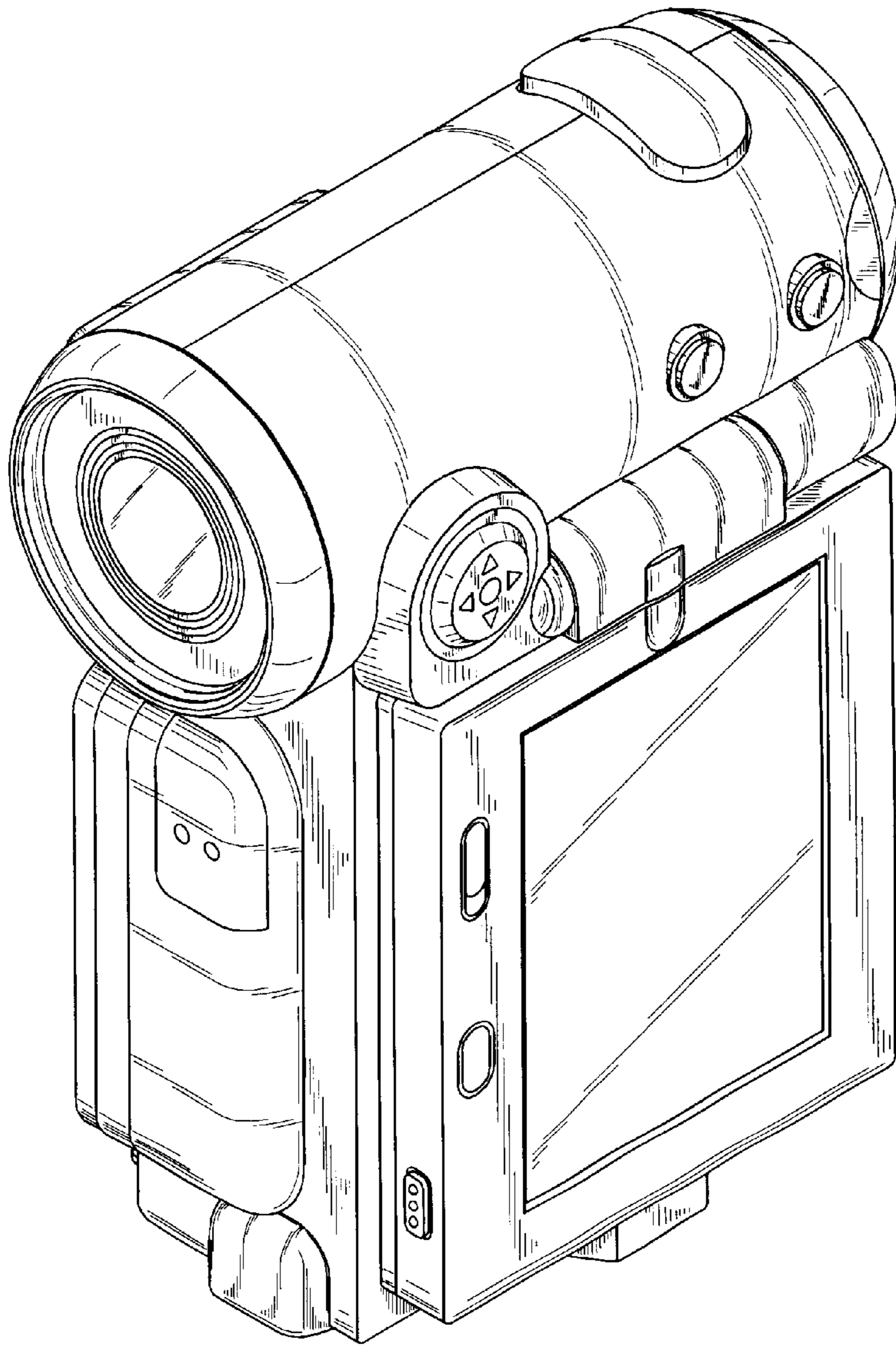


Fig. 11