



US00D463467S

(12) **United States Design Patent** (10) **Patent No.:** **US D463,467 S**
Sumita (45) **Date of Patent:** **** Sep. 24, 2002**

(54) **VIDEO CAMERA**

(75) Inventor: **Kaoru Sumita**, Tokyo (JP)

(73) Assignee: **Sony Corporation**, Tokyo (JP)

(**) Term: **14 Years**

(21) Appl. No.: **29/143,944**

(22) Filed: **Jun. 25, 2001**

(51) **LOC (7) Cl.** **16-01**

(52) **U.S. Cl.** **D16/202**

(58) **Field of Search** **D16/200-206,**
D16/208; 348/373-376; 358/906; 396/535-541

(56) **References Cited**

U.S. PATENT DOCUMENTS

5,499,052 A	*	3/1996	Nakanishi et al.	348/373
D400,900 S	*	11/1998	Harata	D16/202
D412,178 S	*	7/1999	Kobayashi	D16/202
D414,792 S	*	10/1999	Harata	D16/202
D426,248 S		6/2000	Sumita	D16/202
D435,056 S	*	12/2000	Harata	D16/202
D435,261 S	*	12/2000	Nakamura	D16/202
D435,574 S		12/2000	Miyashita	D16/202

OTHER PUBLICATIONS

“Dual D” <http://www.victor/dvmain/DVL700/index.html>, p. 1, JVC (Oct., 2000).

Catalogue, “Handycam,” cover and p. 6, Sony Corporation (Sep. 1999).

Catalogue, “Handycam,” cover and p. 4, Sony Corporation (May 2000).

* cited by examiner

Primary Examiner—Adir Aronovich

(74) *Attorney, Agent, or Firm*—Rader, Fishman & Grauer, PLLC

(57) **CLAIM**

The ornamental design for a video camera, as shown and described.

DESCRIPTION

FIG. 1 is a perspective view of a video camera showing my new design;

FIG. 2 is a front elevational view thereof;

FIG. 3 is a rear elevational view thereof;

FIG. 4 is a left side elevational view thereof;

FIG. 5 is a right side elevational view thereof;

FIG. 6 is a top plan view thereof; and

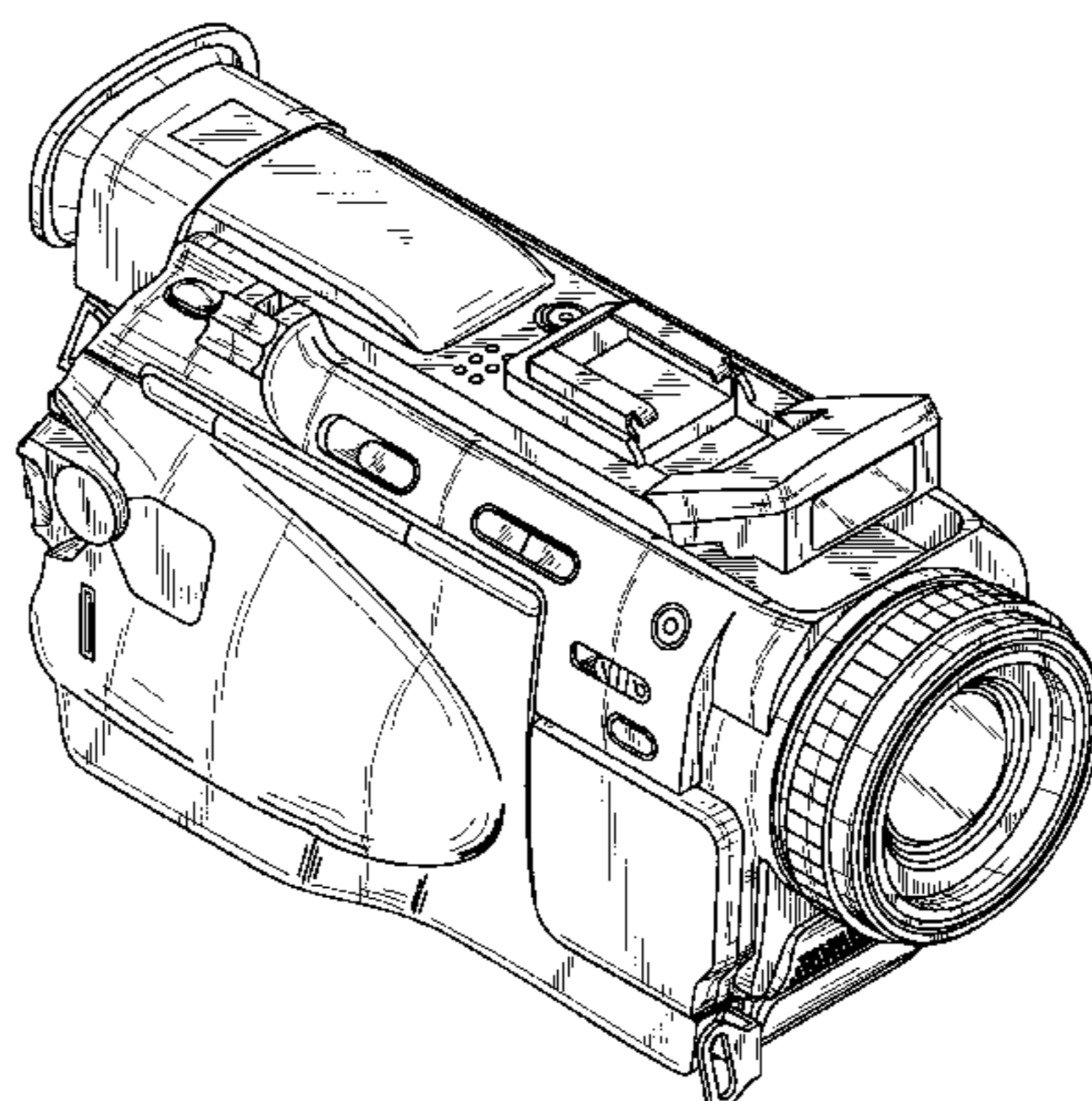
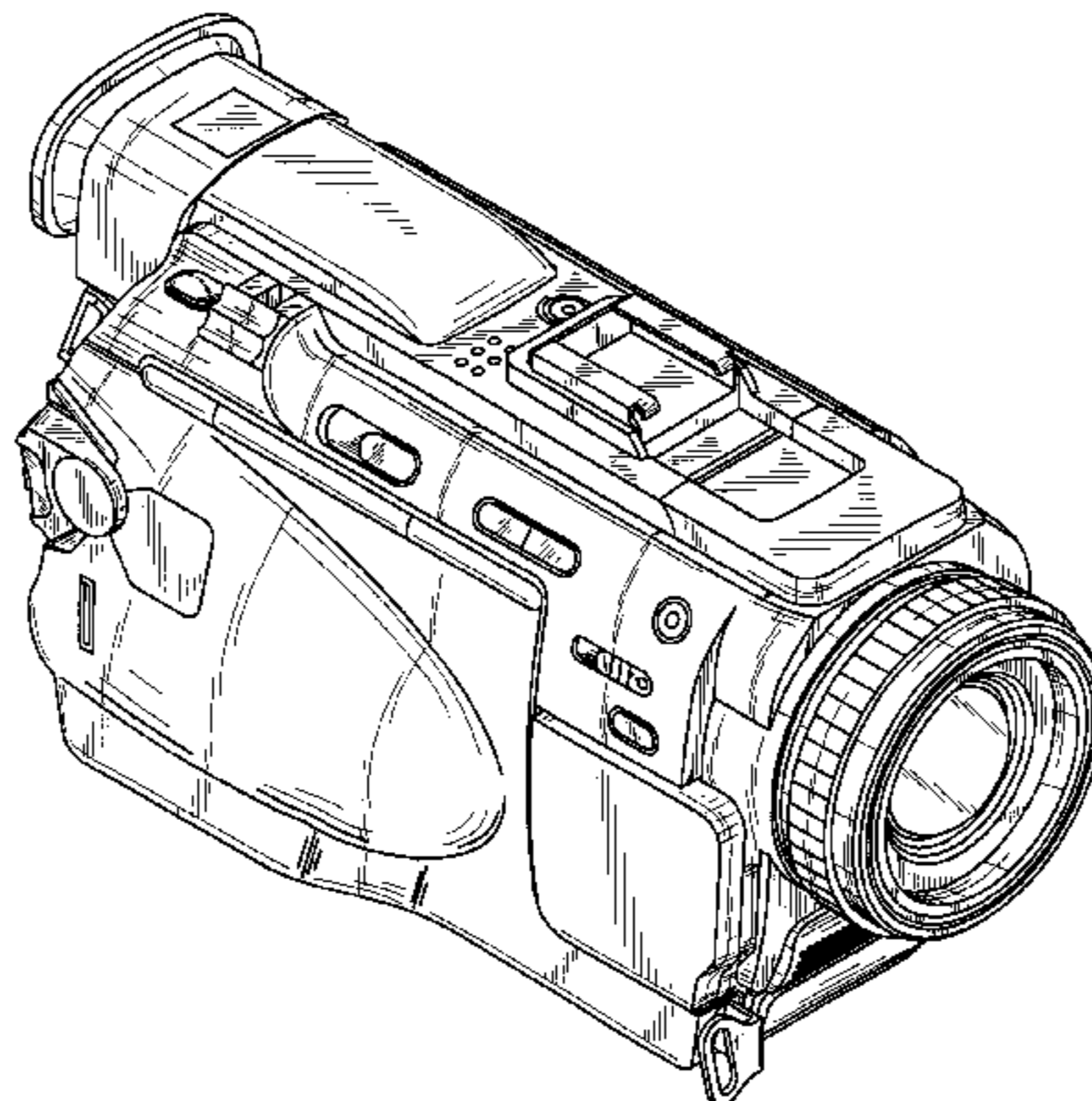
FIG. 7 is a bottom plan view thereof.

FIG. 8 is a perspective view of a video camera showing my new design, wherein the strobe portion thereof is in the open position;

FIG. 9 is a front elevational view thereof; and,

FIG. 10 is a right side elevational view thereof, a left side elevational view of the strobe portion being a mirror image and being added to the main body of the video camera shown in FIG. 4.

1 Claim, 10 Drawing Sheets



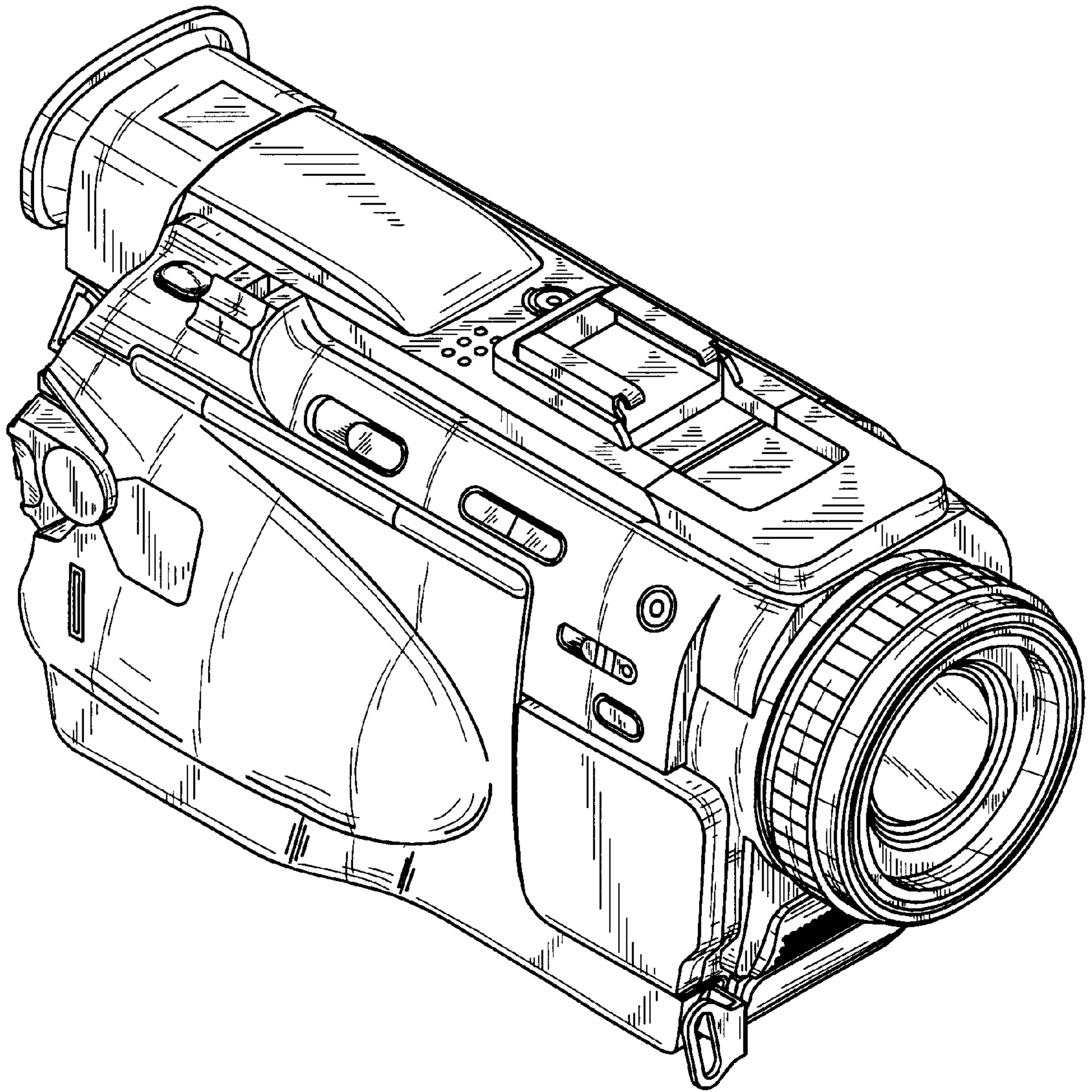


Fig. 1

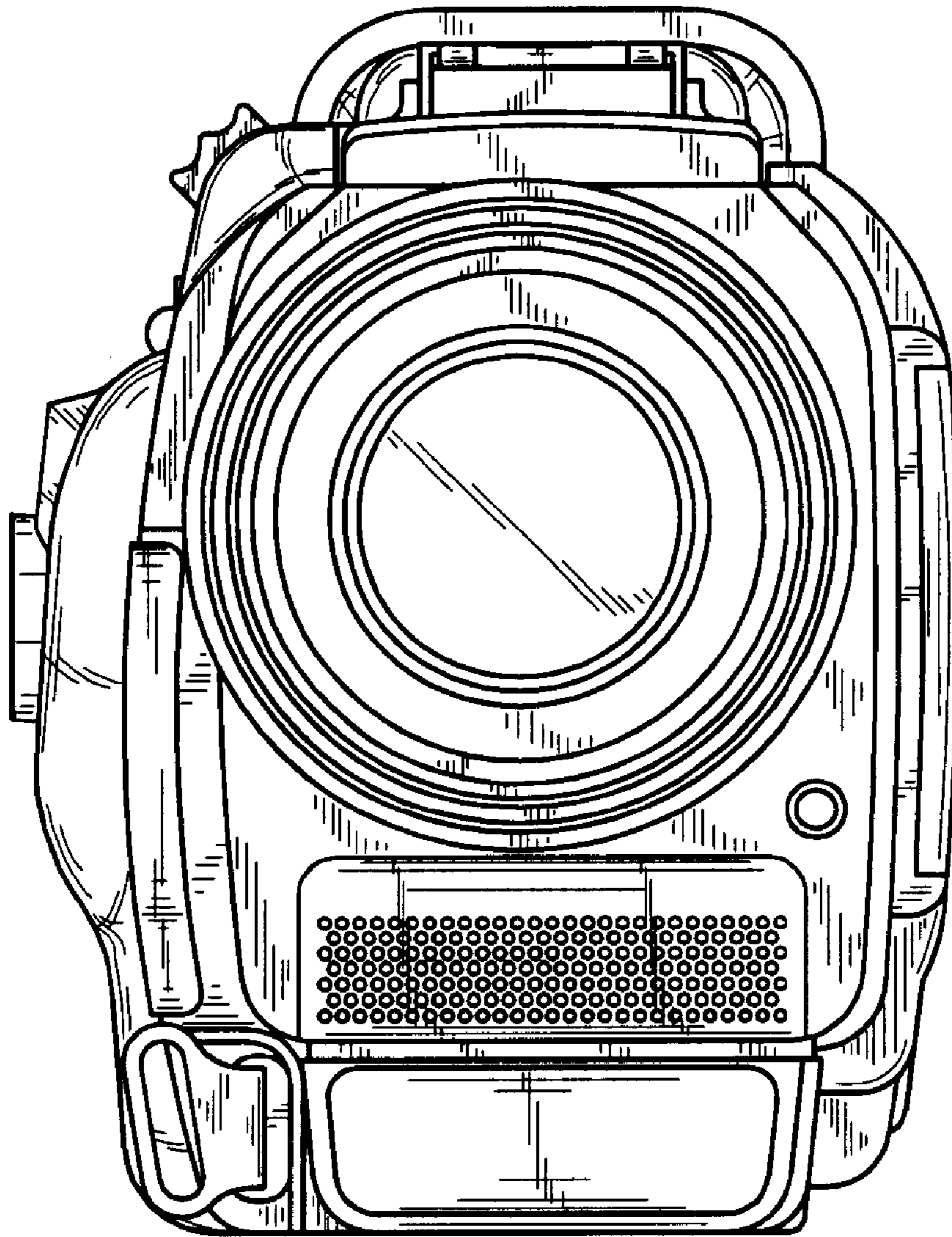


Fig. 2

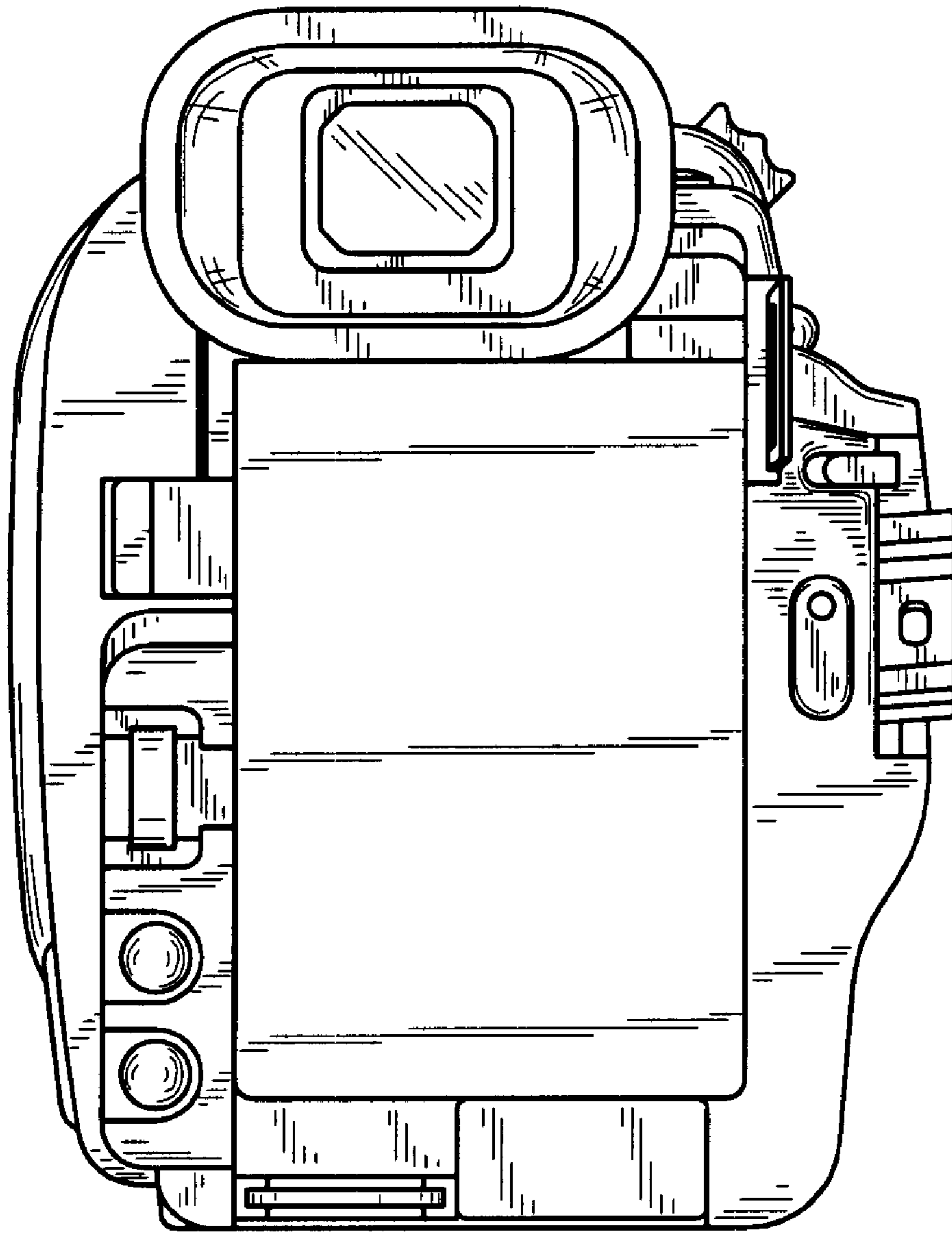


Fig. 3

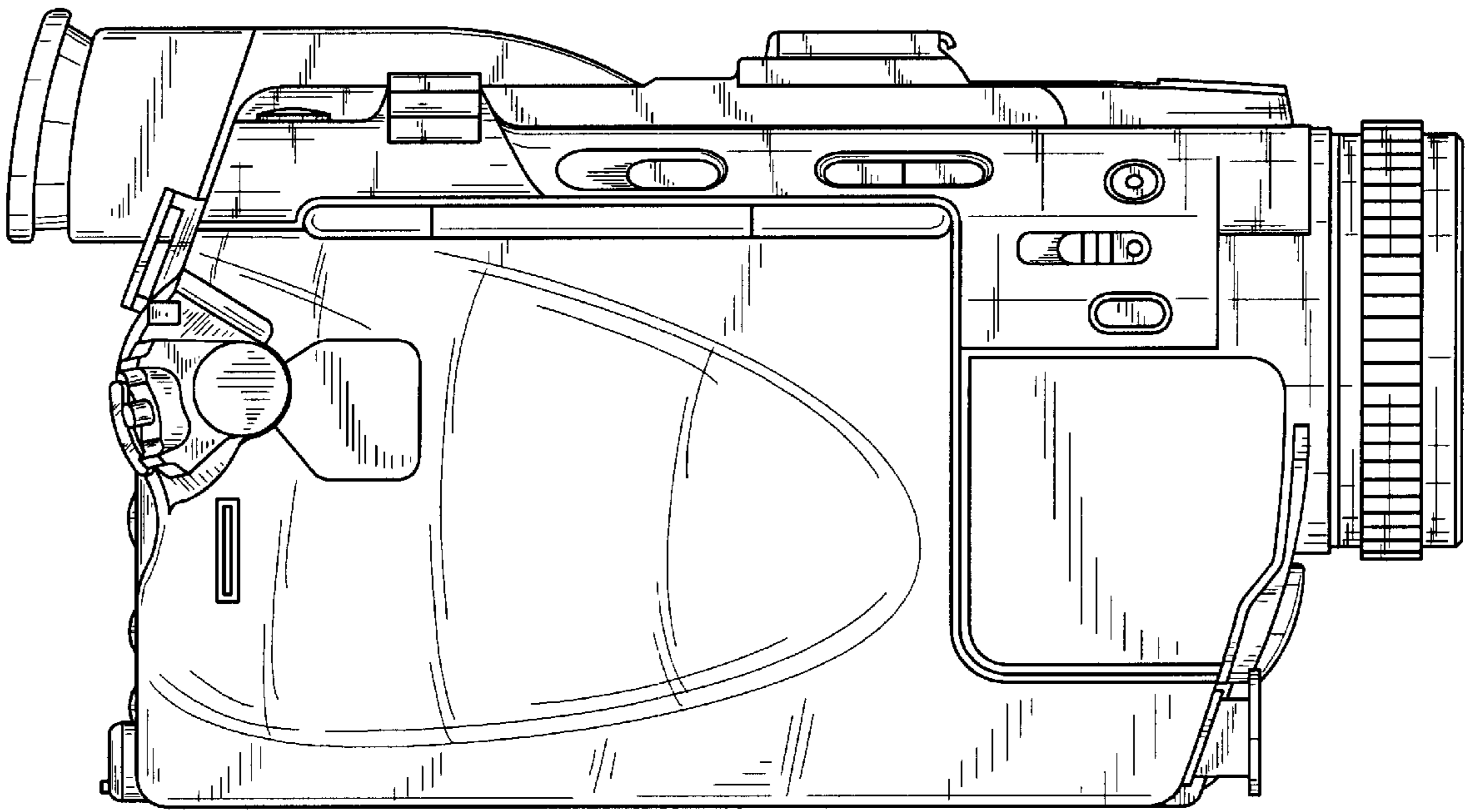


Fig. 4

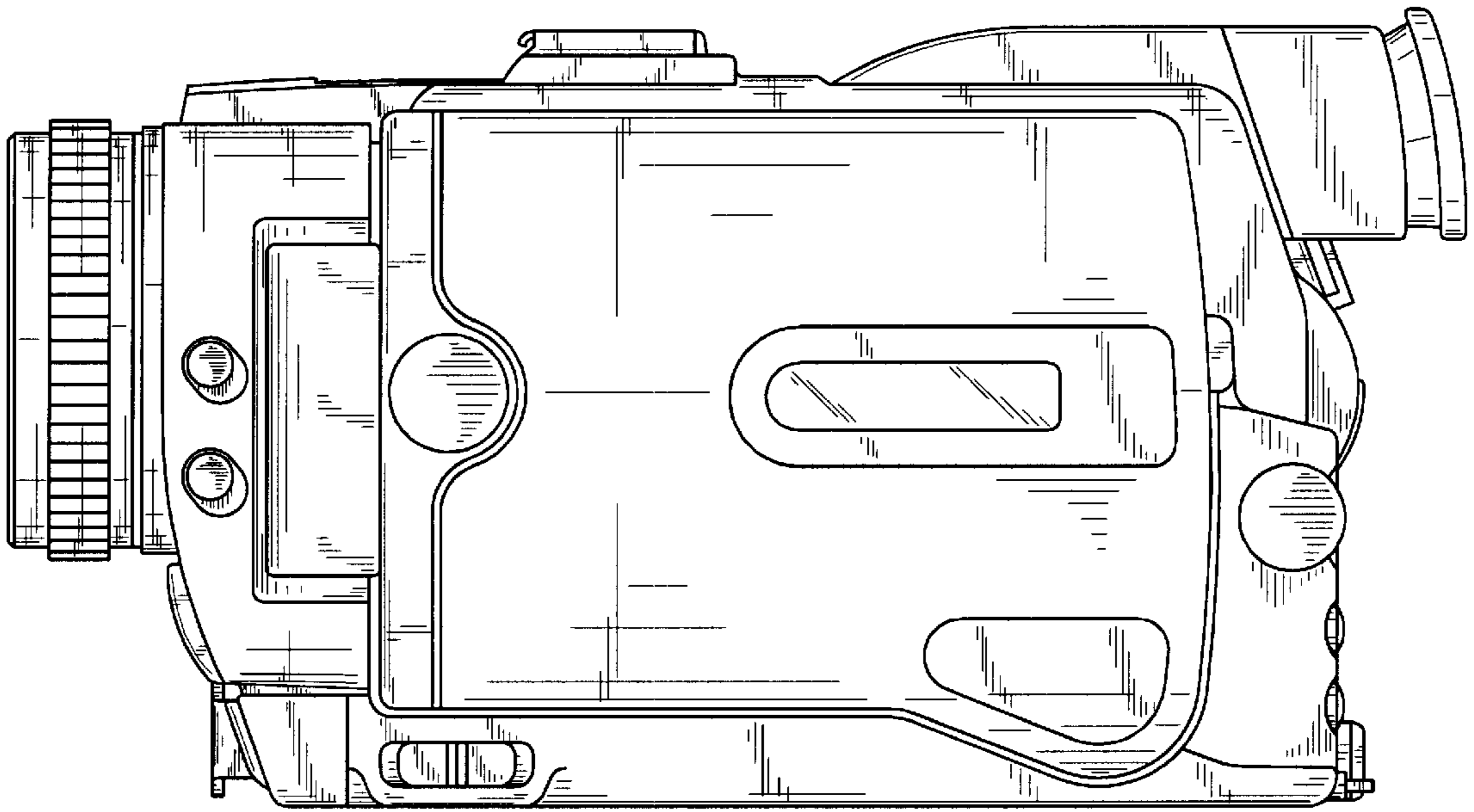


Fig. 5

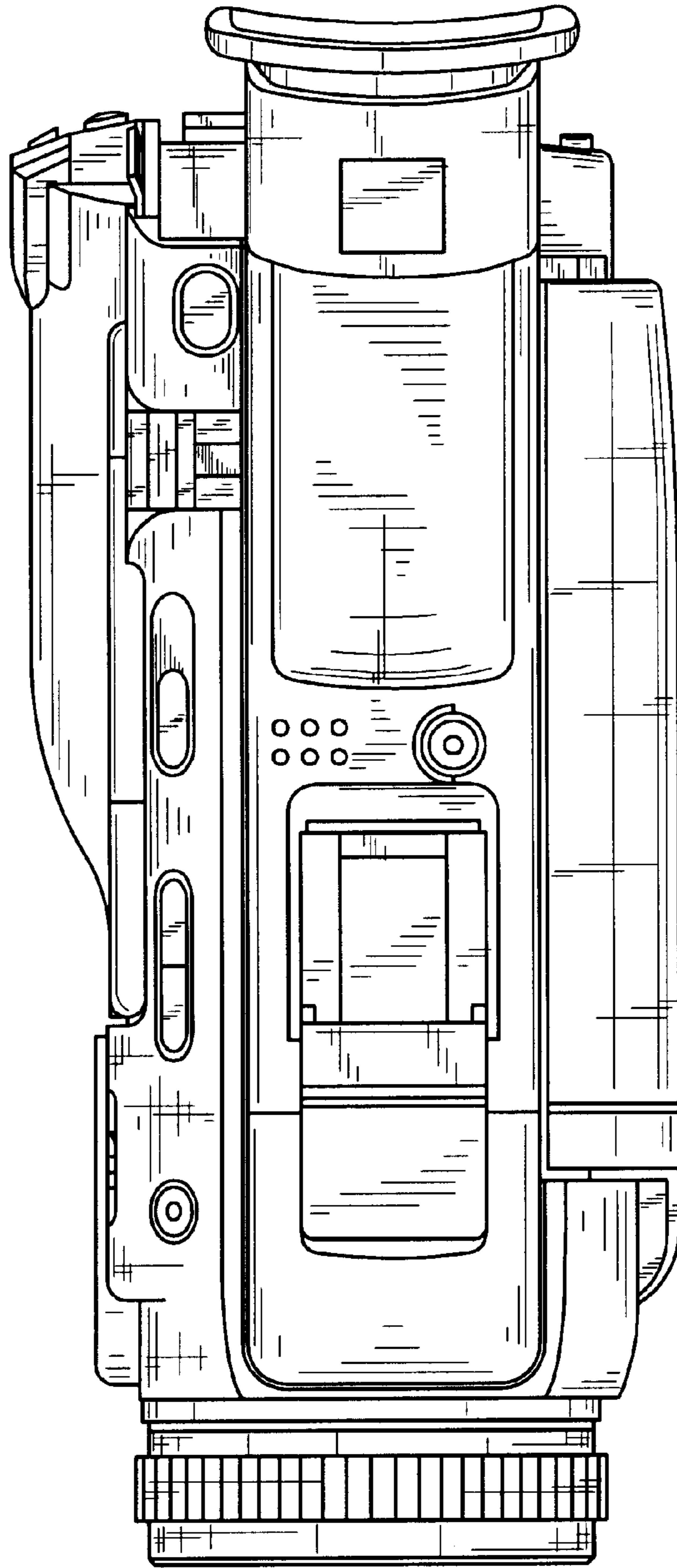


Fig. 6

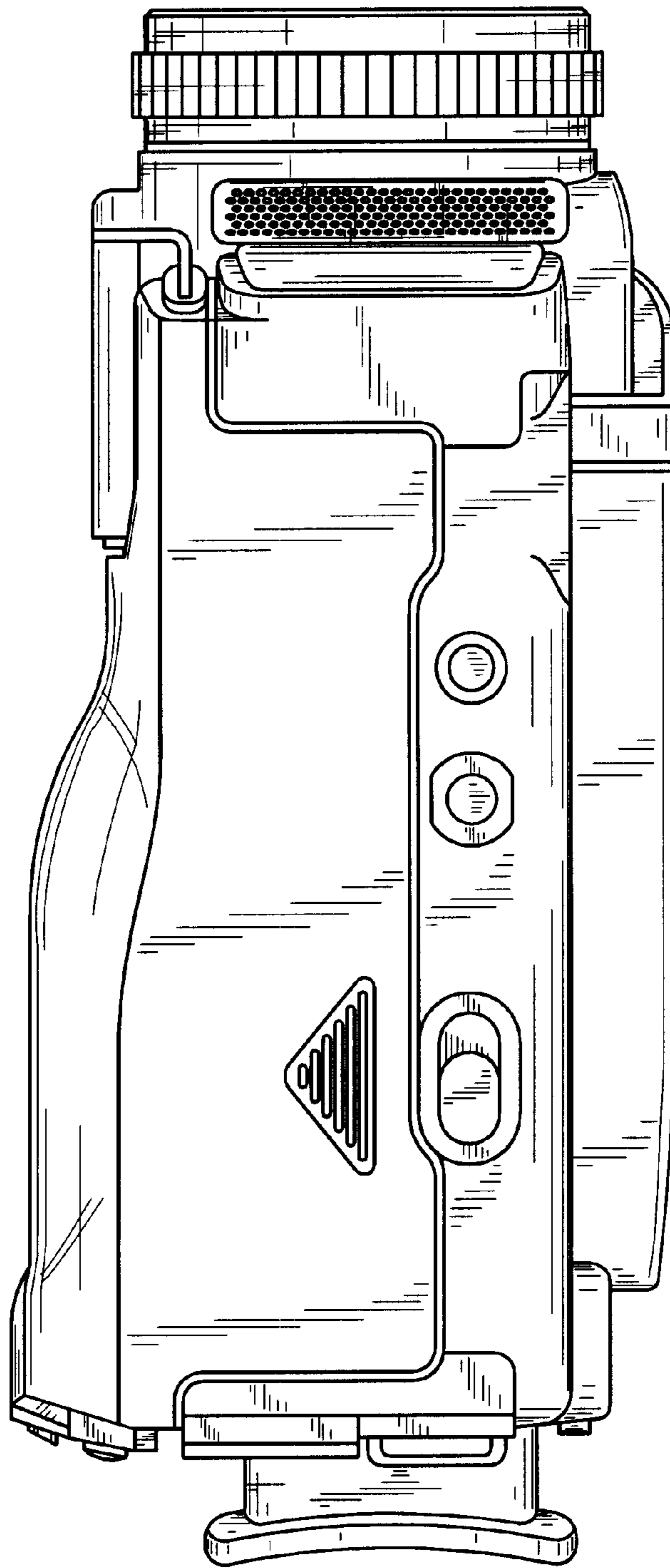


Fig. 7

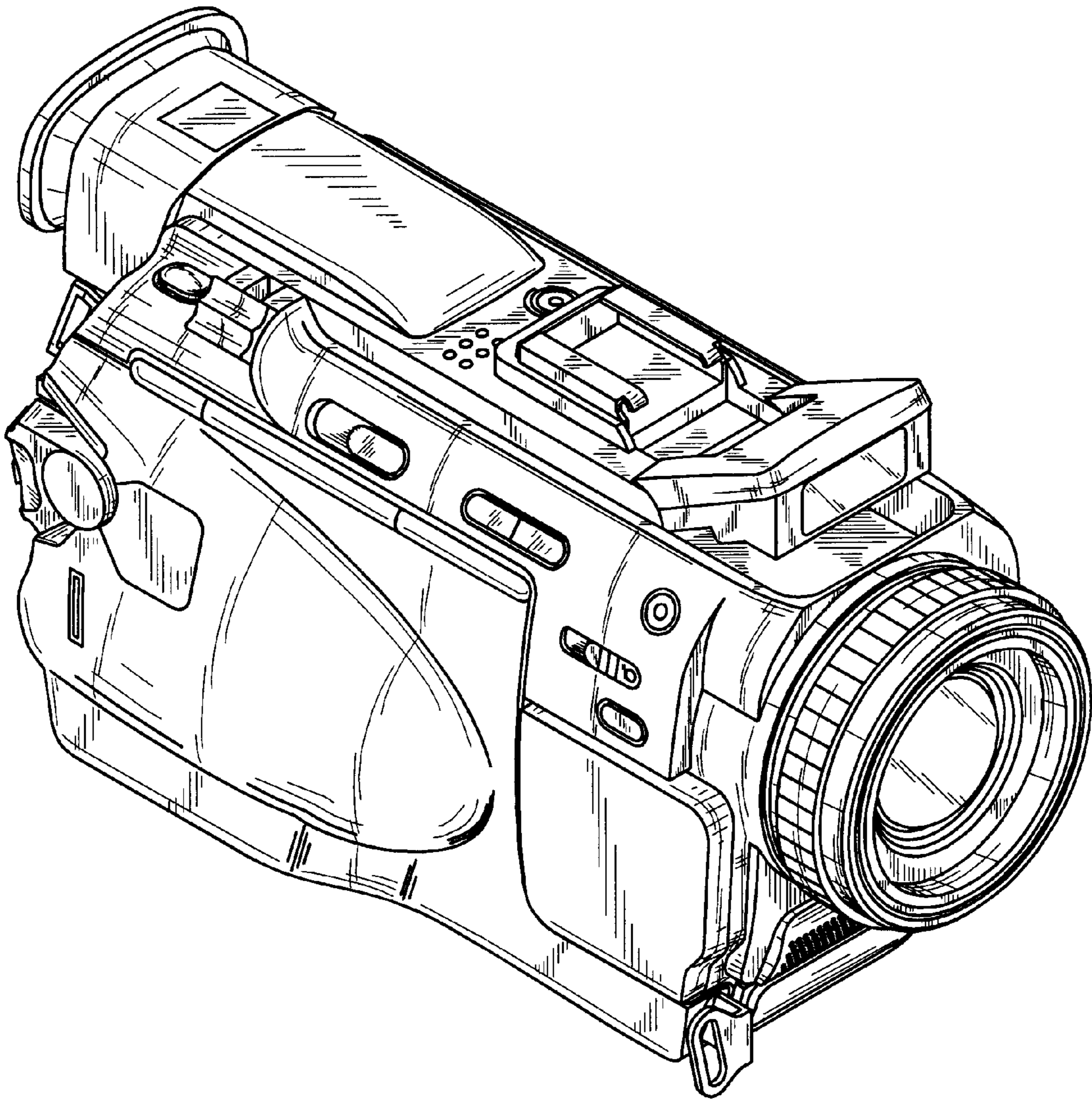


Fig. 8

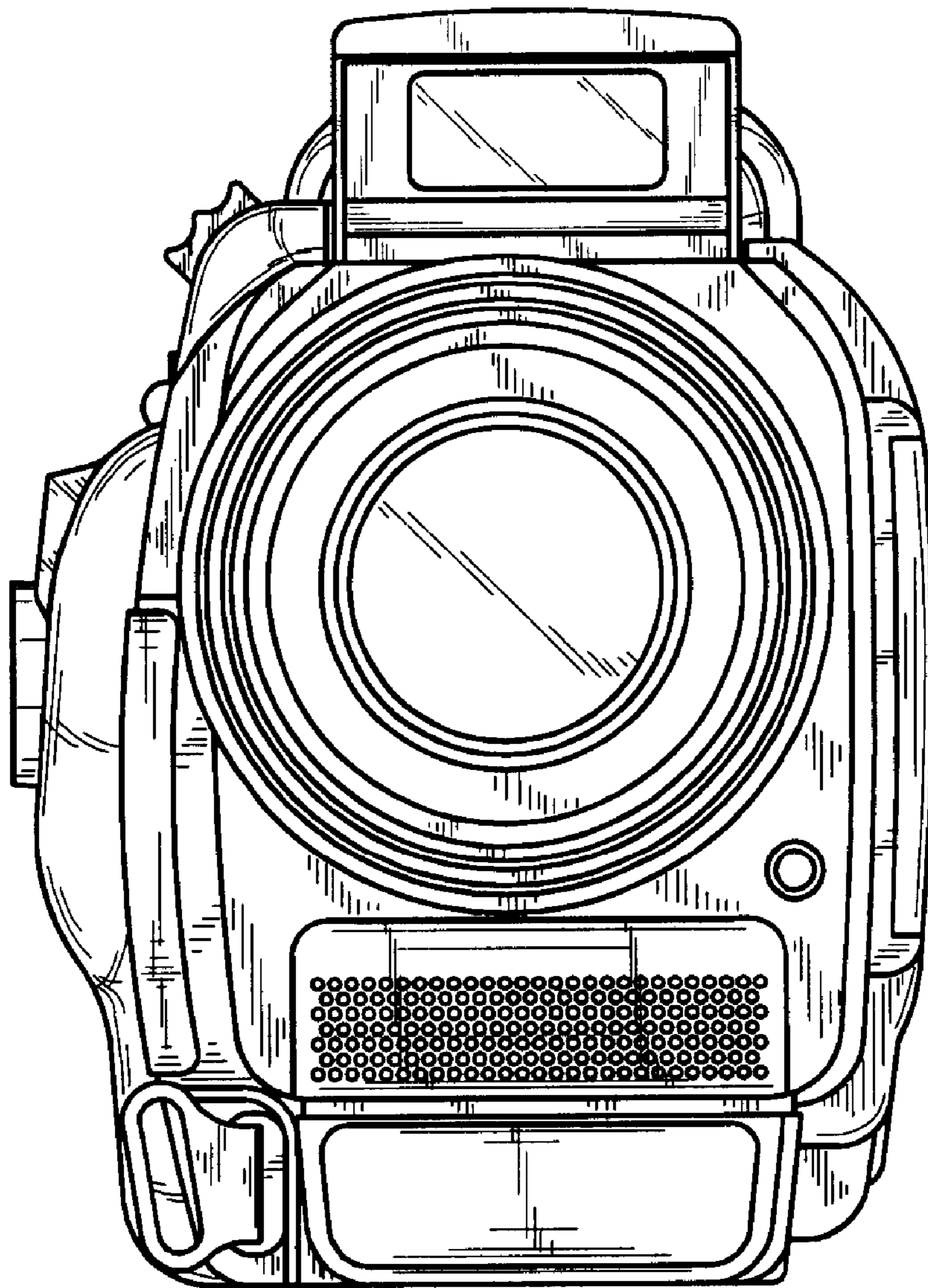


Fig. 9

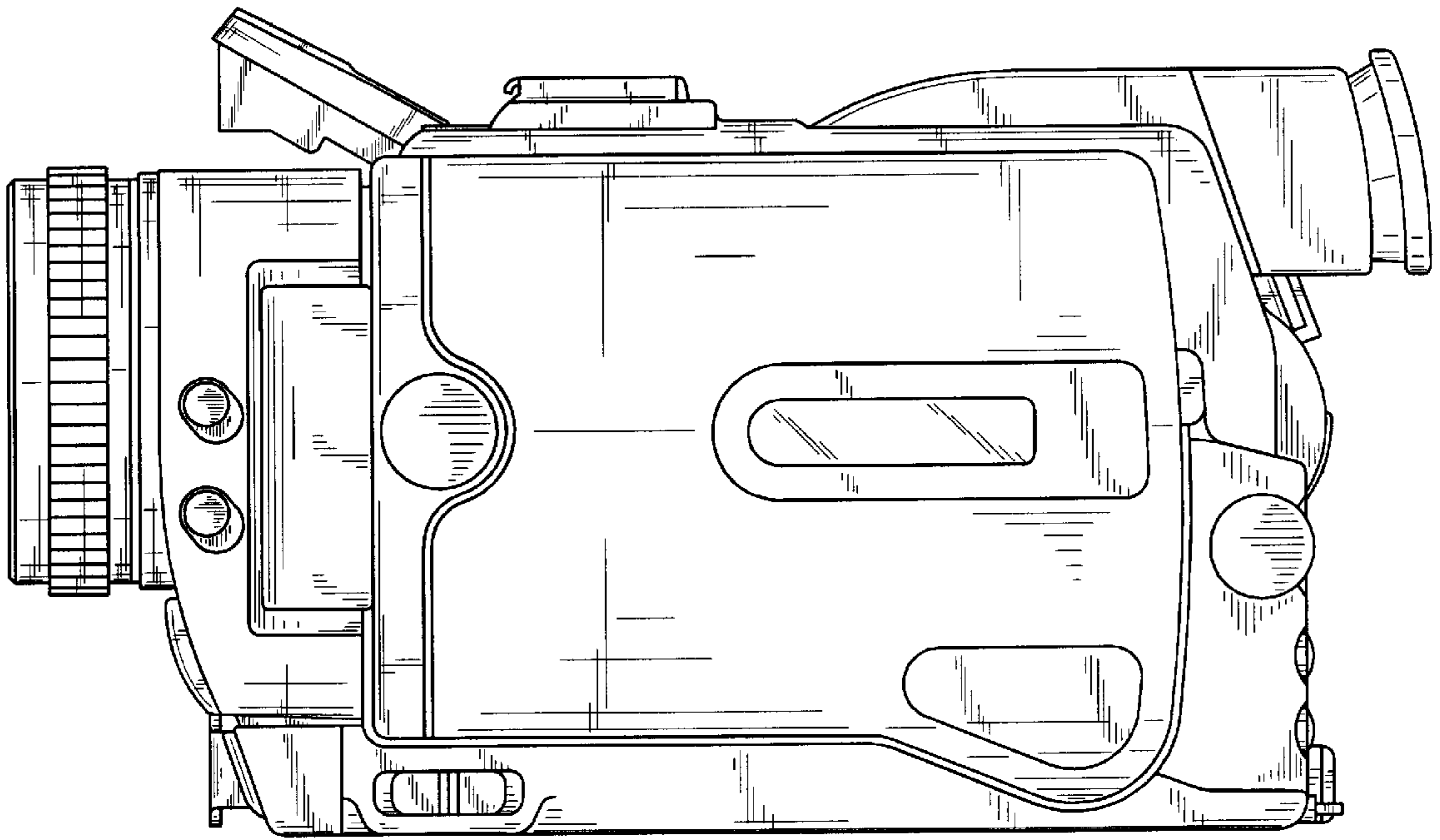


Fig. 10