



US00D463462S

(12) **United States Design Patent**  
**Yanagida et al.**

(10) **Patent No.:** **US D463,462 S**

(45) **Date of Patent:** **\*\* Sep. 24, 2002**

(54) **OPERATOR CAB FOR POWER SHOVEL**

(75) Inventors: **Yasuhiro Yanagida**, Tokyo (JP);  
**Akihide Namura**, Hirakata (JP);  
**Hiroyuki Shioji**, Hirakata (JP)

(73) Assignee: **Komatsu Ltd.**, Tokyo (JP)

(\*\*) Term: **14 Years**

(21) Appl. No.: **29/146,110**

(22) Filed: **Aug. 6, 2001**

(51) **LOC (7) Cl.** ..... **15-03**

(52) **U.S. Cl.** ..... **D15/30**

(58) **Field of Search** ..... D15/22-26, 28,  
D15/30; 180/89.1, 89.12, 89.13; 296/190,  
202; 414/788.2, 503, 914

(56) **References Cited**

**U.S. PATENT DOCUMENTS**

D230,498 S \* 2/1974 Williams ..... D15/30  
5,577,795 A \* 11/1996 Shinsen ..... 296/190

D394,069 S \* 5/1998 Muranen ..... D15/30  
D398,616 S \* 9/1998 Kwak et al. .... D15/30  
D427,612 S \* 7/2000 Shim ..... D15/23

\* cited by examiner

*Primary Examiner*—Mitchell Siegel

(74) *Attorney, Agent, or Firm*—Kanesaka & Takeuchi

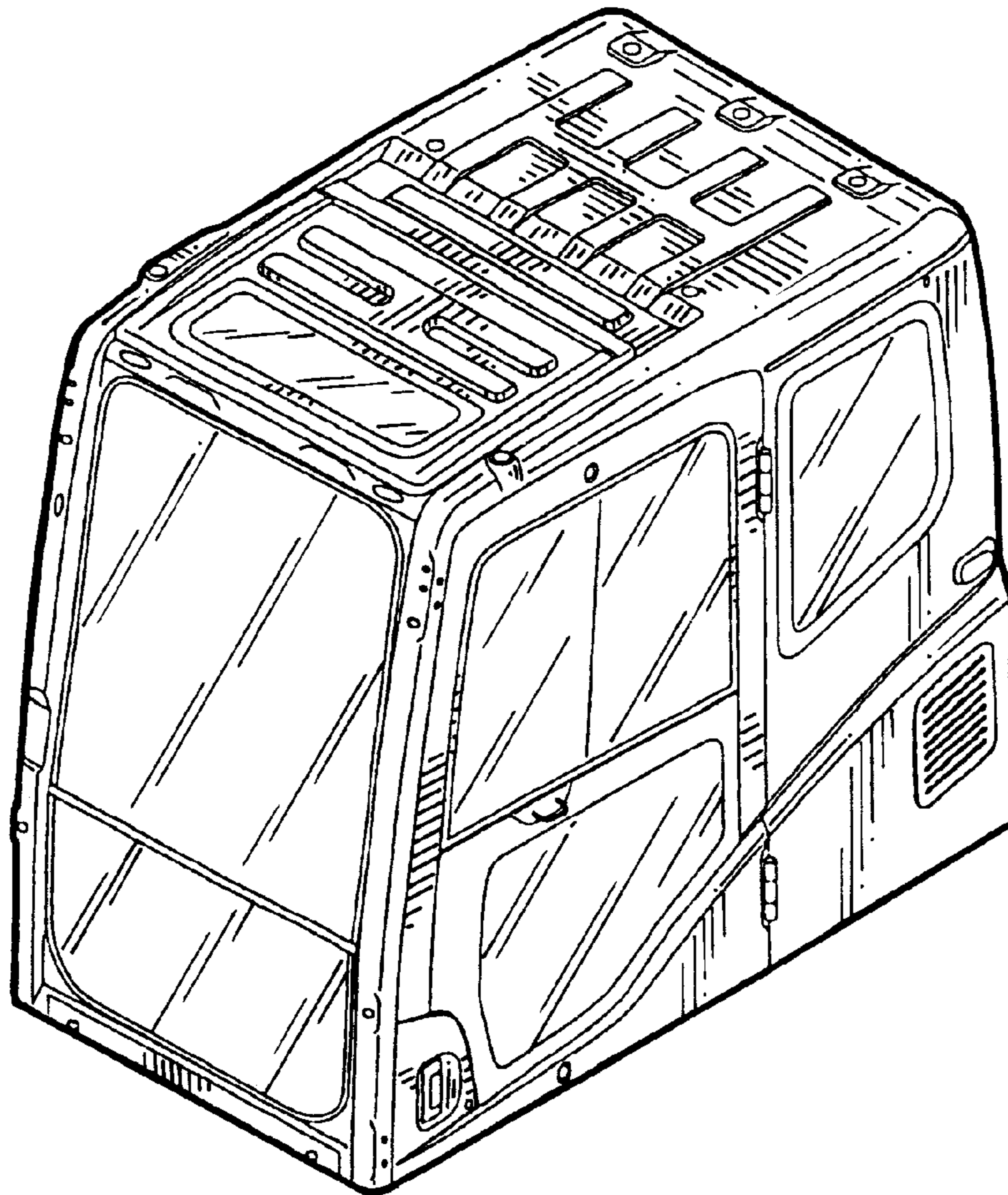
(57) **CLAIM**

The ornamental design for an operator cab for power shovel,  
as shown and described.

**DESCRIPTION**

FIG. 1 is a front view of an operator cab for power shovel  
showing our new design;  
FIG. 2 is a rear view thereof;  
FIG. 3 is a right side view thereof;  
FIG. 4 is a left side view thereof;  
FIG. 5 is a top plan view thereof;  
FIG. 6 is a bottom plan view thereof;  
FIG. 7 is a perspective view seen from a front side; and,  
FIG. 8 is a perspective view seen from a rear side.

**1 Claim, 4 Drawing Sheets**



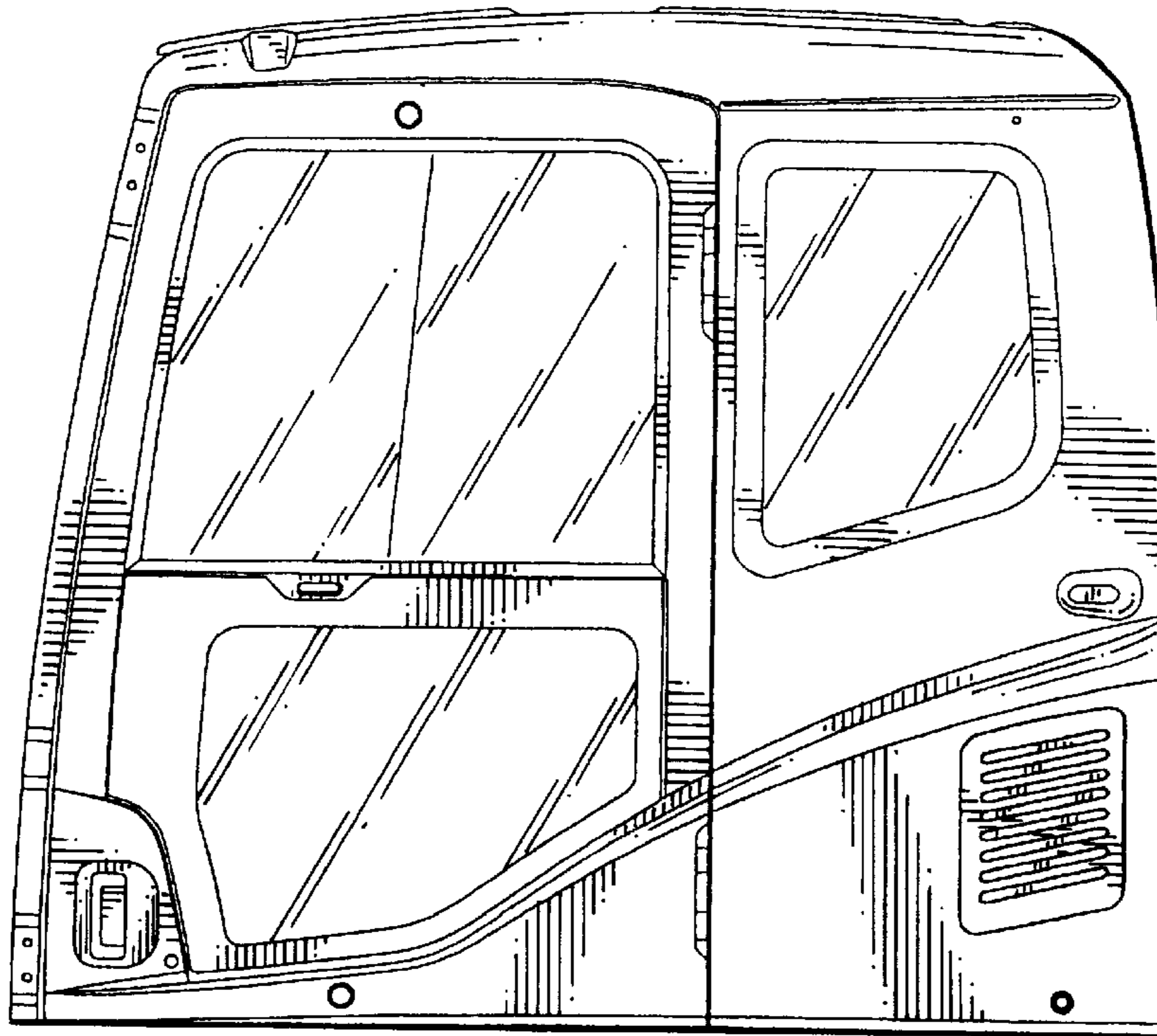


FIG. 1

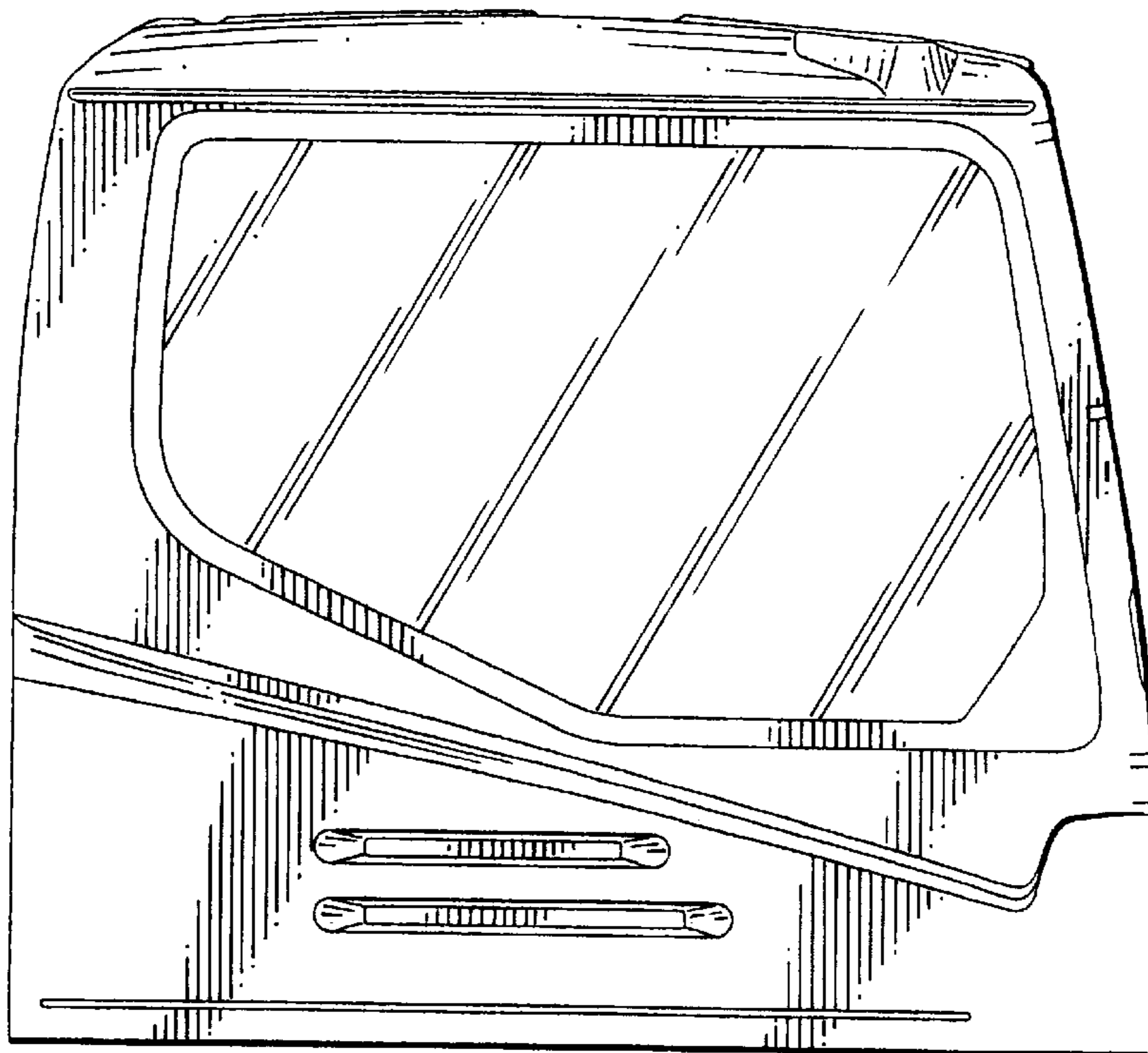


FIG. 2

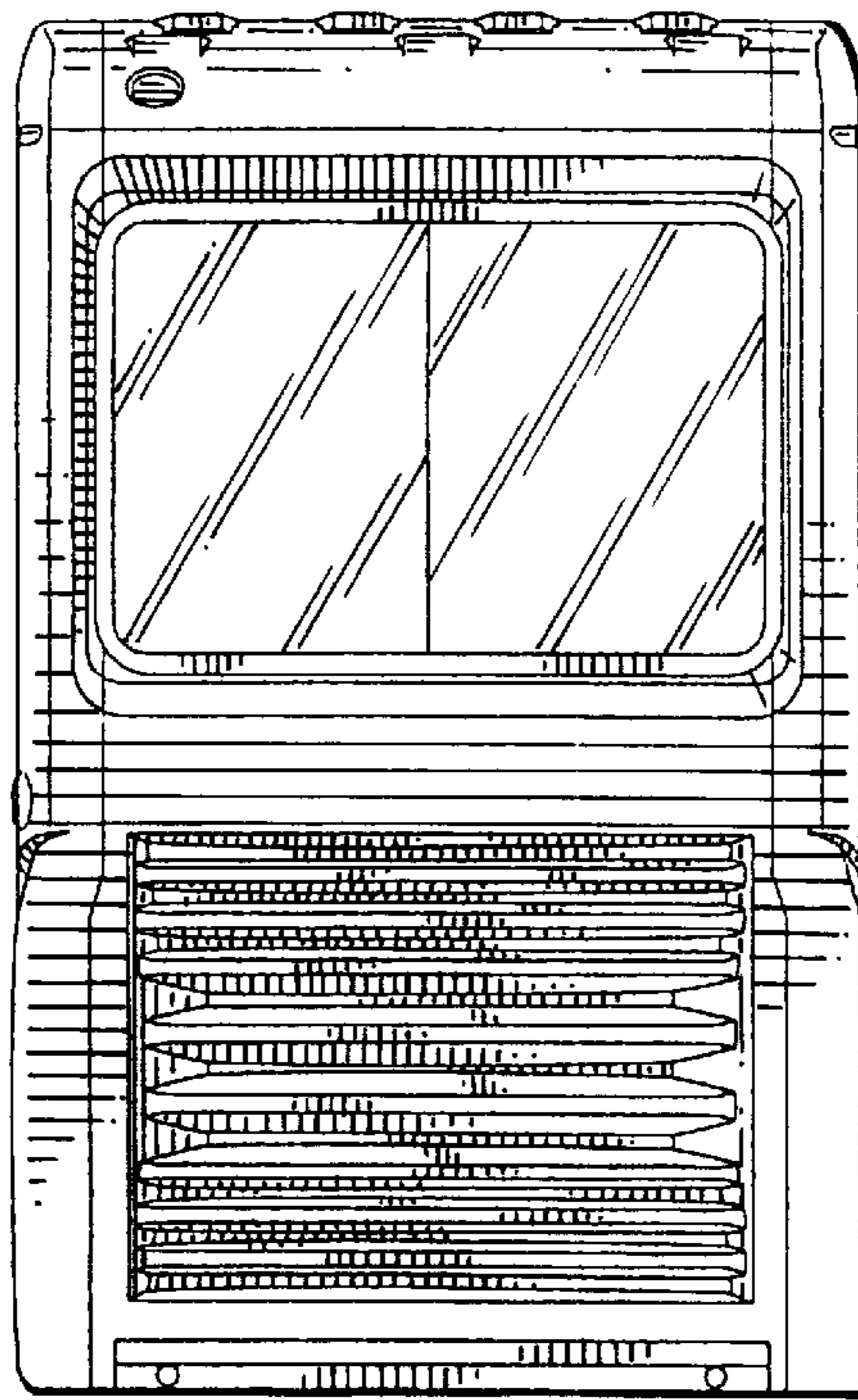


FIG. 3

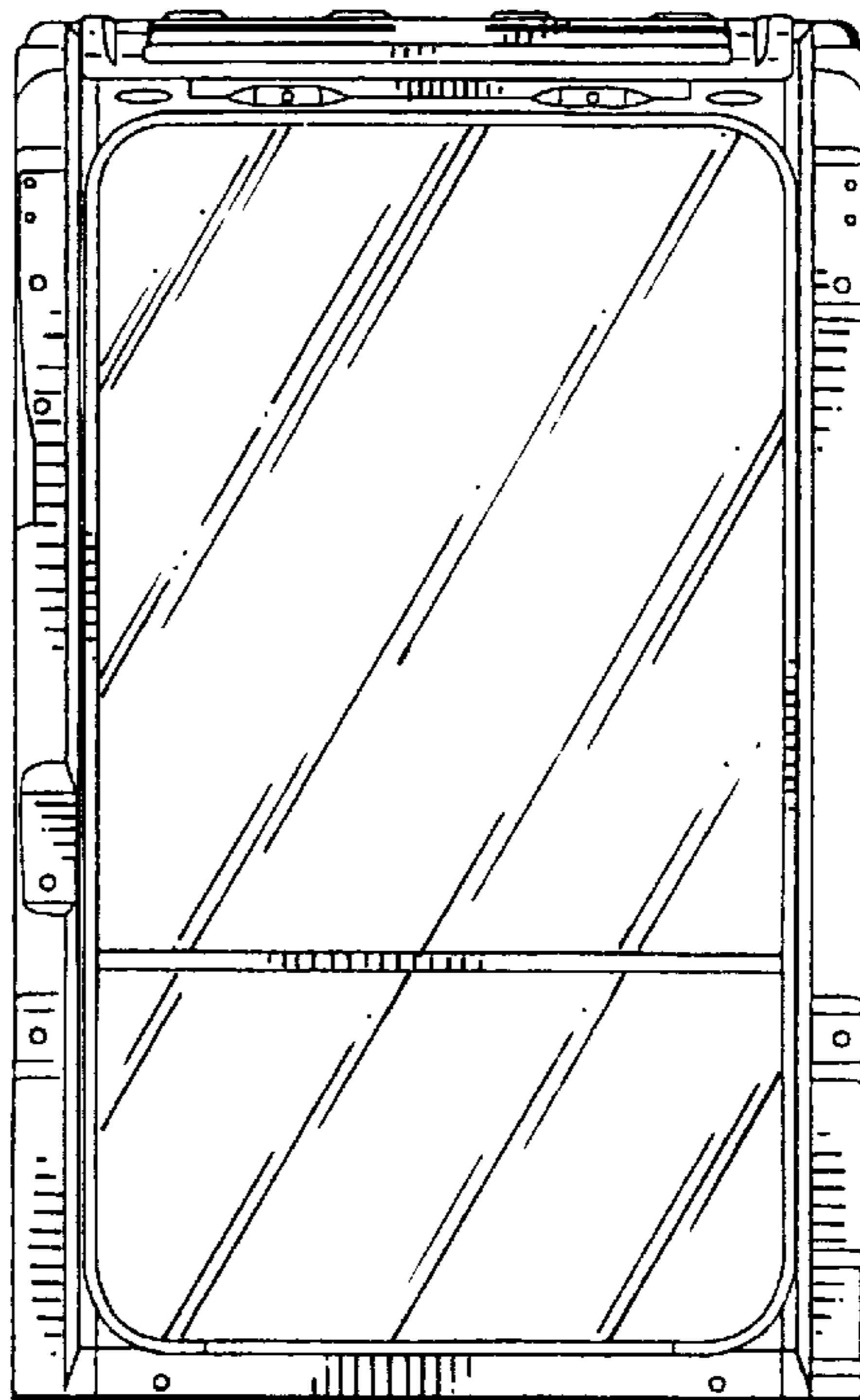


FIG. 4

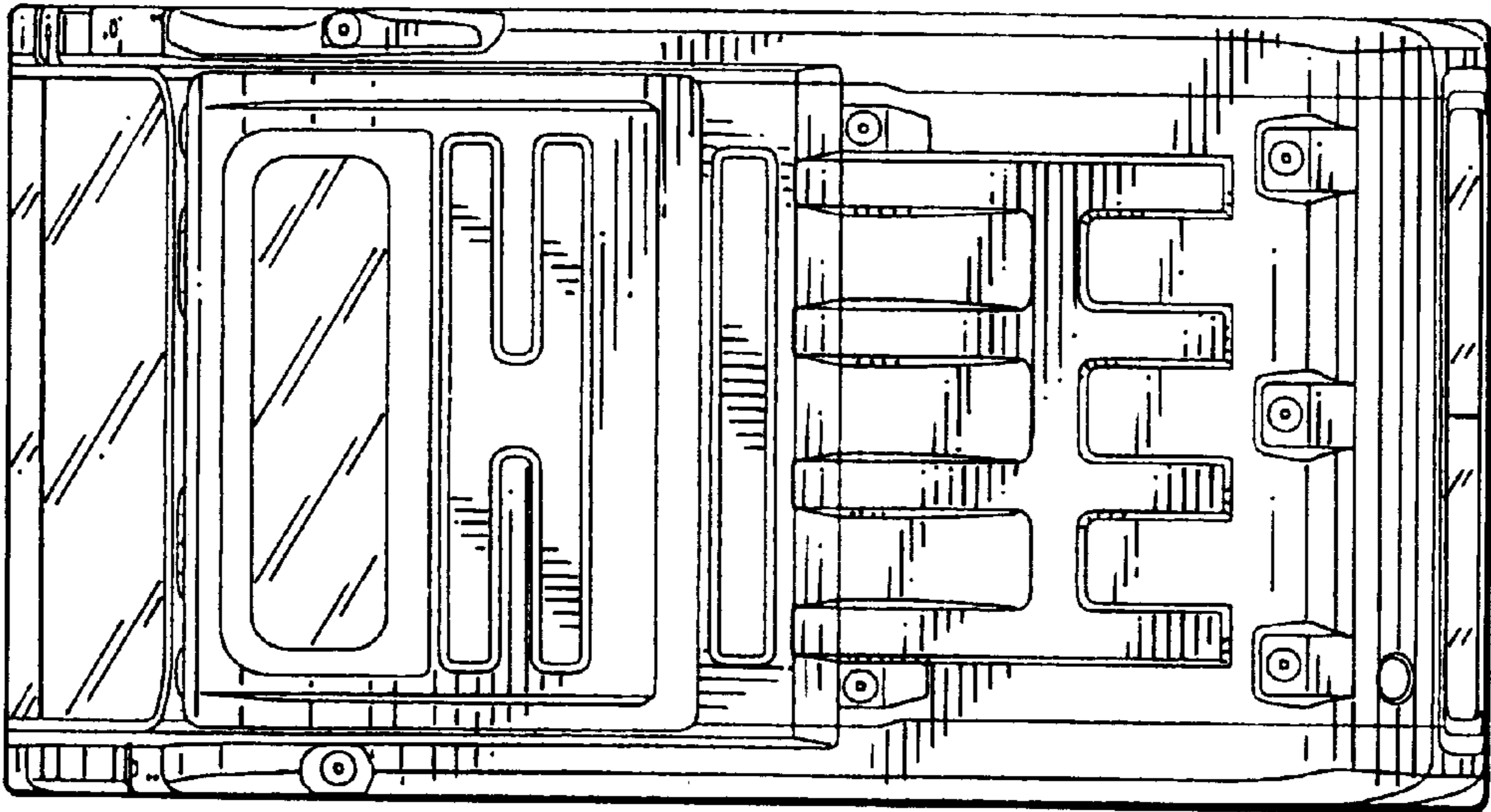


FIG. 5

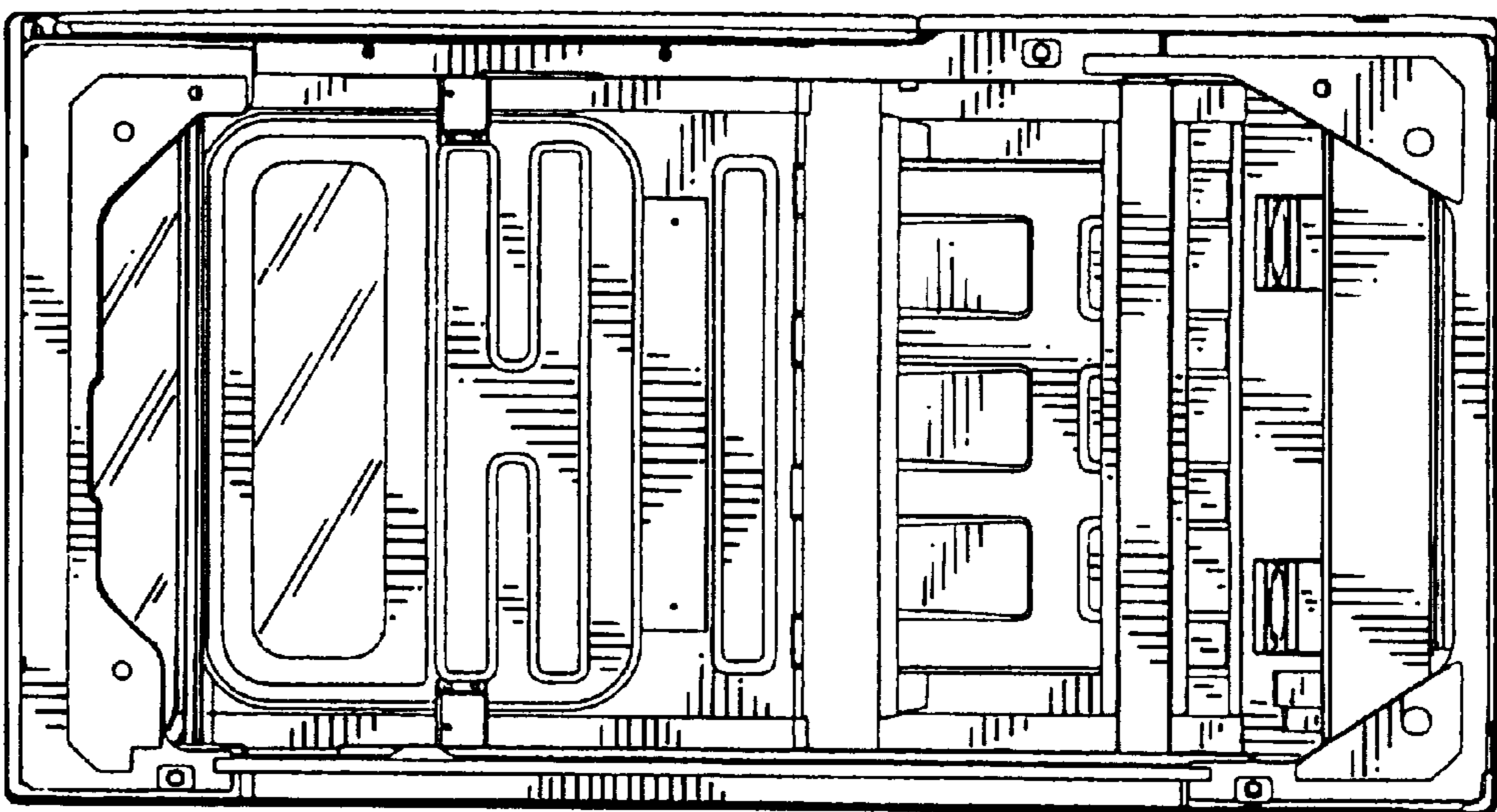


FIG. 6

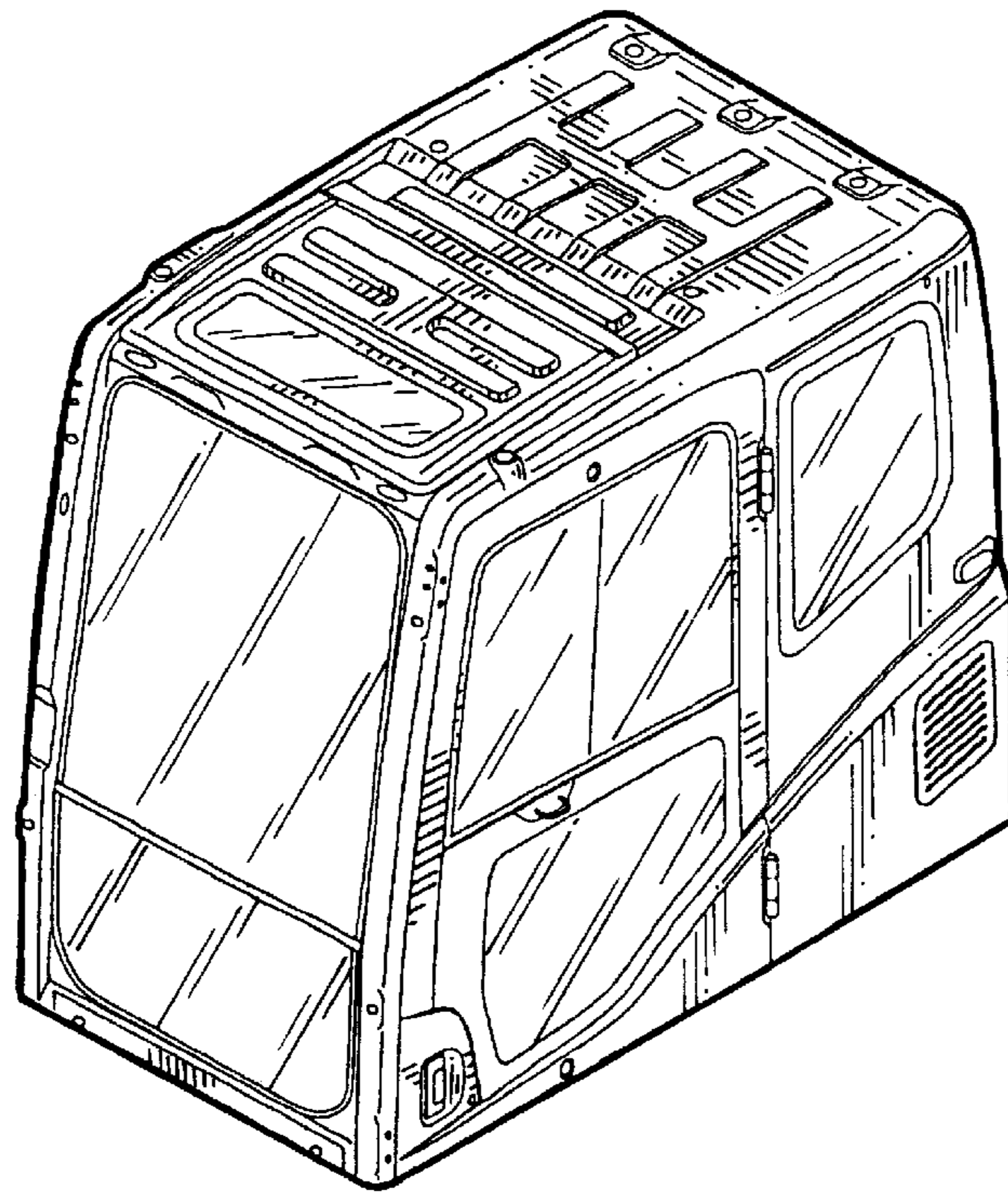


FIG. 7

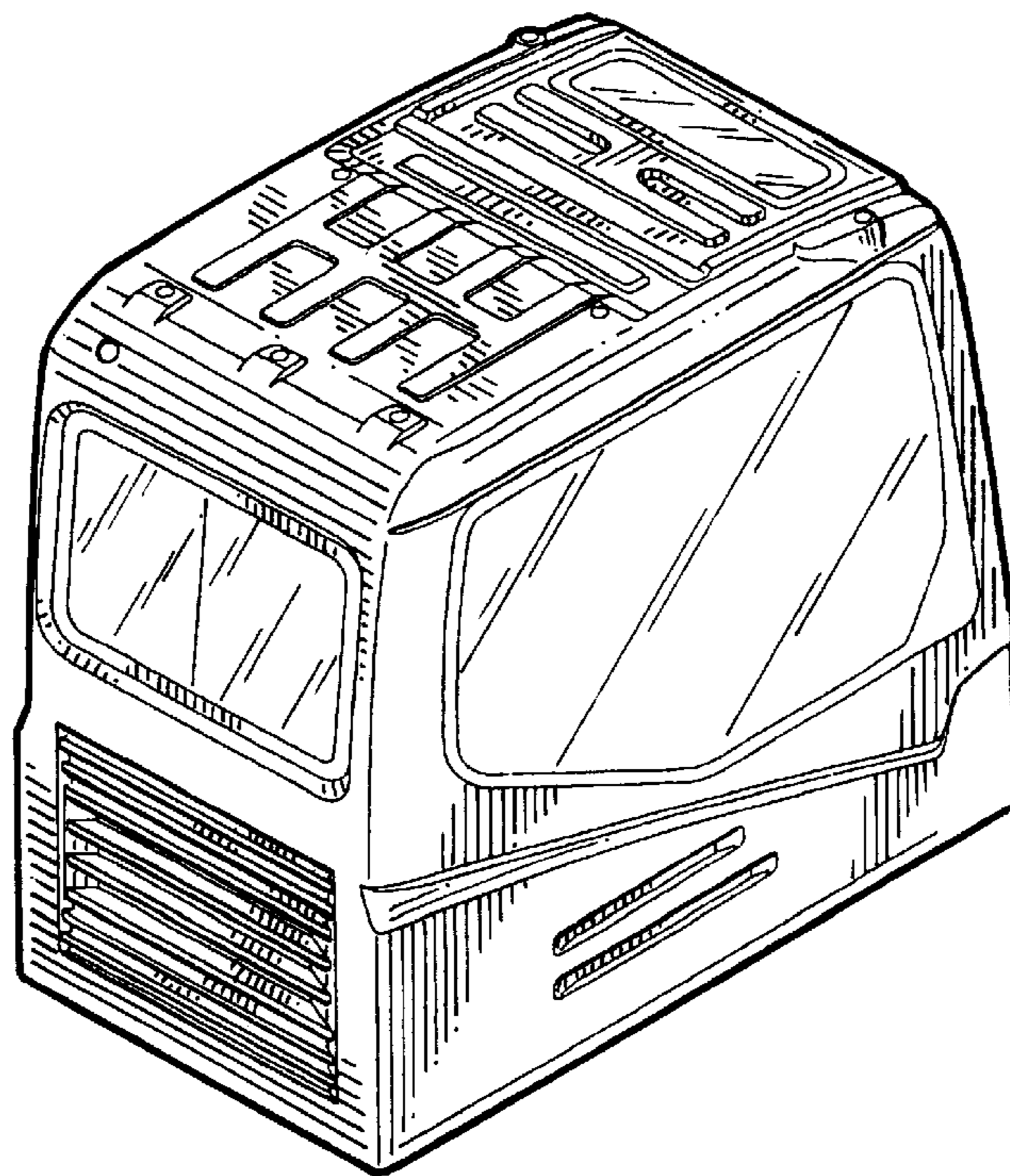


FIG. 8