



US00D463461S

(12) **United States Design Patent**
Yanagida et al.

(10) **Patent No.:** **US D463,461 S**

(45) **Date of Patent:** **** Sep. 24, 2002**

(54) **OPERATOR CAB FOR POWER SHOVEL**

(75) Inventors: **Yasuhiro Yanagida**, Tokyo (JP);
Makoto Sasaki, Hirakata (JP);
Masanori Sogou, Hirakata (JP)

(73) Assignee: **Komatsu Ltd.**, Tokyo (JP)

(**) Term: **14 Years**

(21) Appl. No.: **29/146,109**

(22) Filed: **Aug. 6, 2001**

(51) **LOC (7) Cl.** **15-03**

(52) **U.S. Cl.** **D15/30**

(58) **Field of Search** D15/22-26, 28,
D15/30; 180/89.1, 89.12, 89.13; 296/190,
202; 414/788.2, 503, 914

(56) **References Cited**

U.S. PATENT DOCUMENTS

D230,498 S * 2/1974 Williams D15/30
5,577,795 A * 11/1996 Shinsen 296/190

D394,069 S * 5/1998 Muranen D15/30
D398,616 S * 9/1998 Kwak et al. D15/30
D427,612 S * 7/2000 Shim D15/23

* cited by examiner

Primary Examiner—Mitchell Siegel

(74) *Attorney, Agent, or Firm*—Kanesaka & Takeuchi

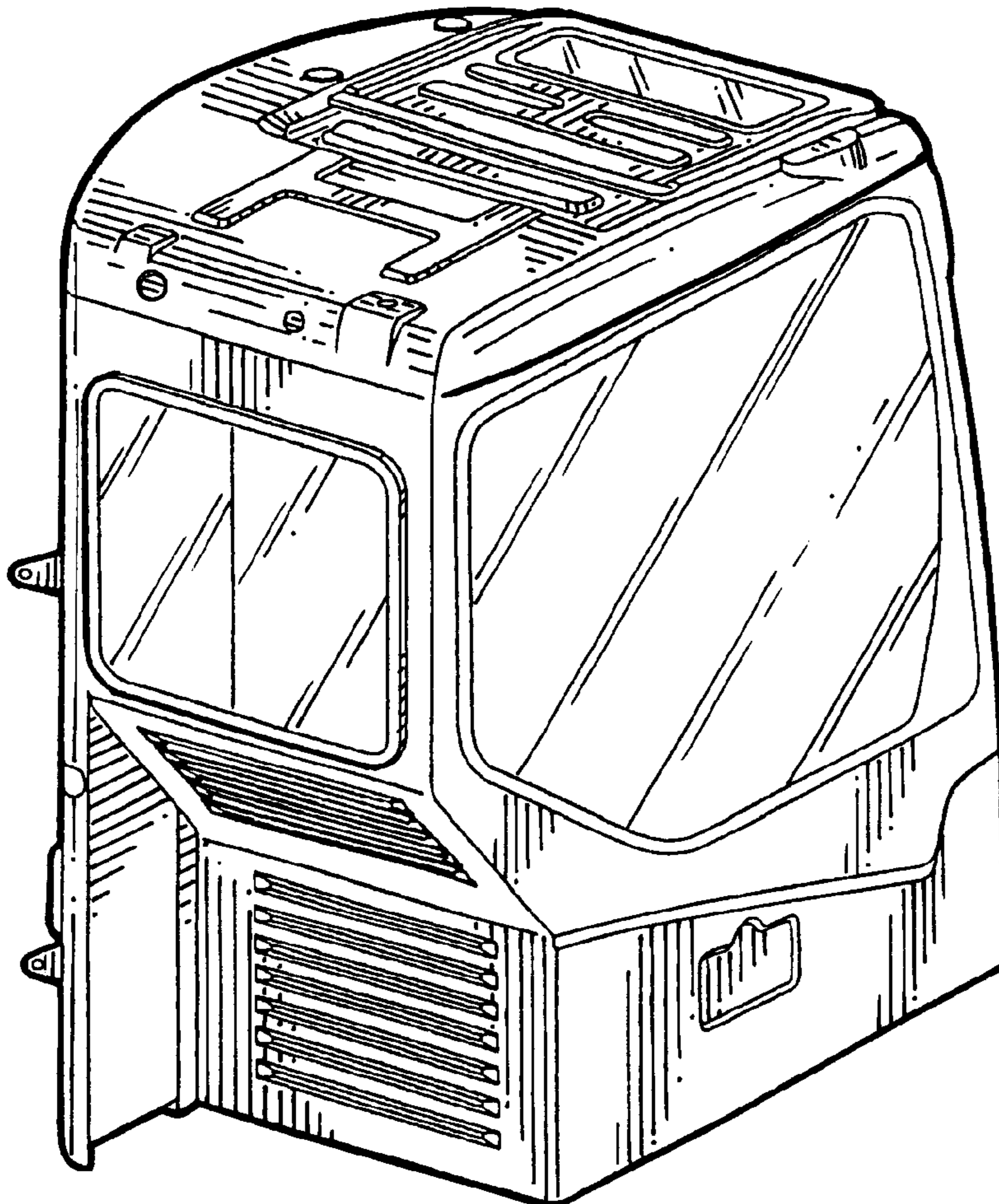
(57) **CLAIM**

The ornamental design for an operator cab for power shovel,
as shown and described.

DESCRIPTION

FIG. 1 is a front view of an operator cab for power shovel
showing our new design;
FIG. 2 is a rear view thereof;
FIG. 3 is a right side view thereof;
FIG. 4 is a left side view thereof;
FIG. 5 is a top plan view thereof;
FIG. 6 is a bottom plan view thereof;
FIG. 7 is a perspective view seen from a front side; and,
FIG. 8 is a perspective view seen from a rear side.

1 Claim, 4 Drawing Sheets



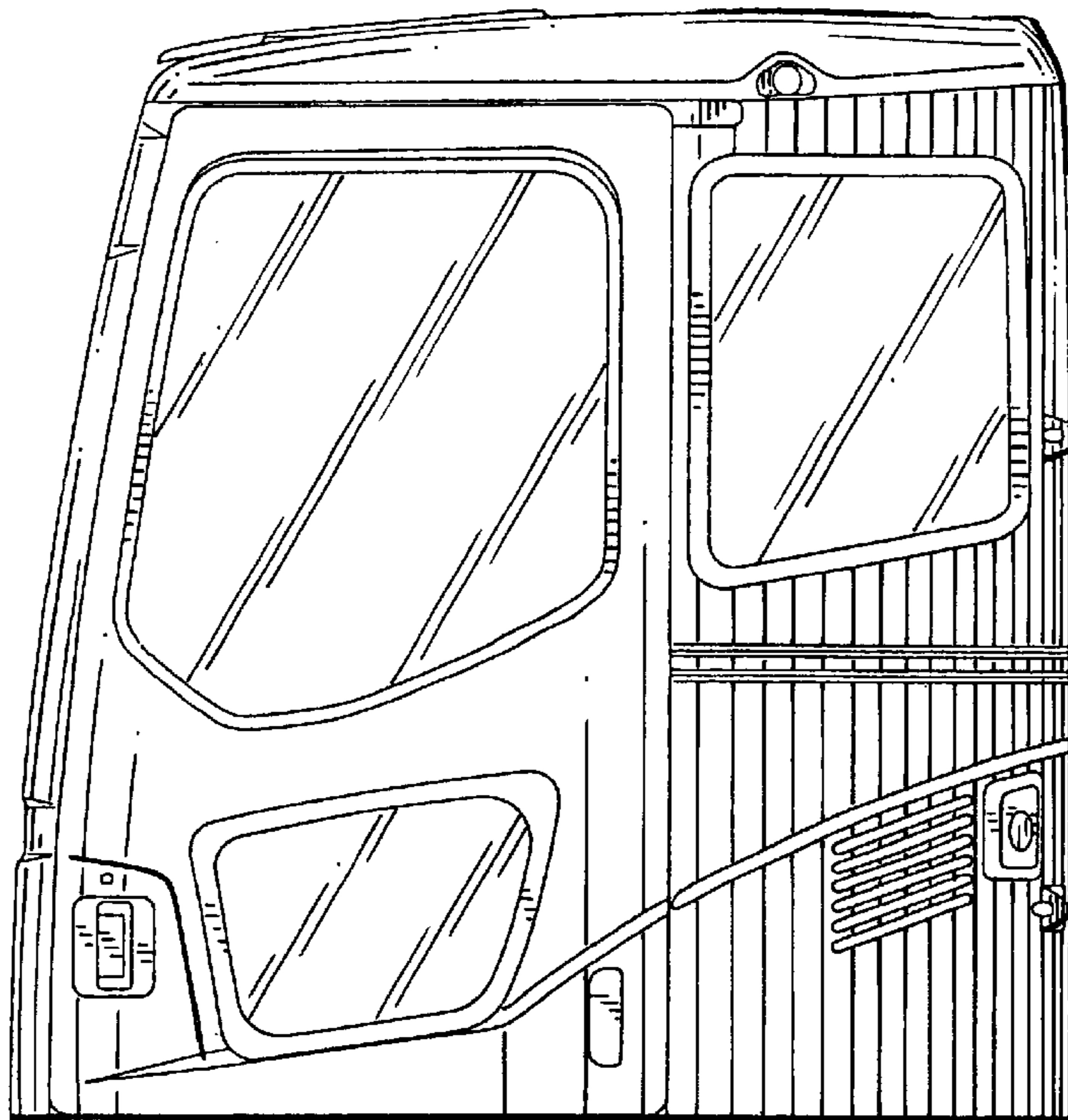


FIG. 1

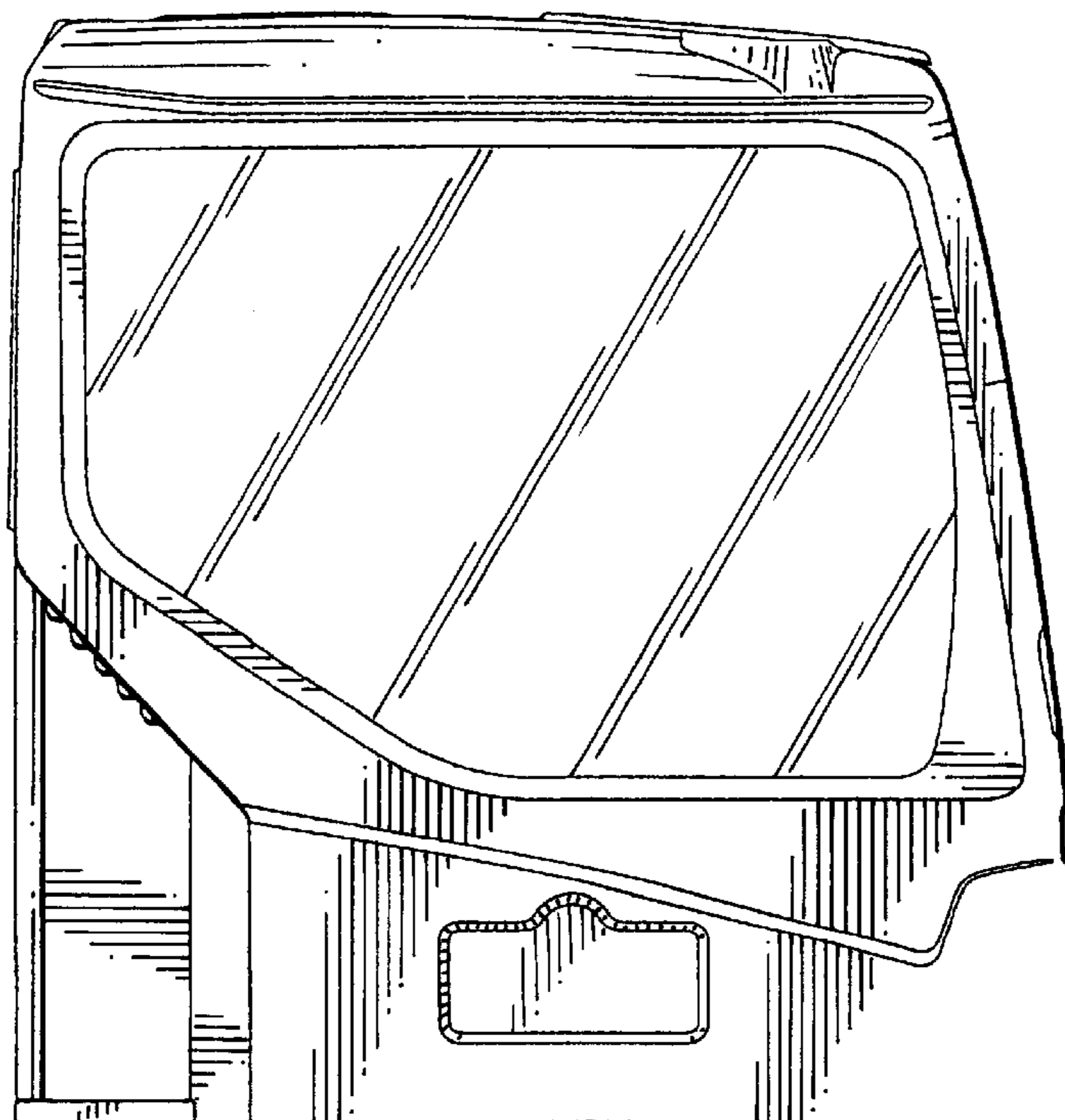


FIG. 2

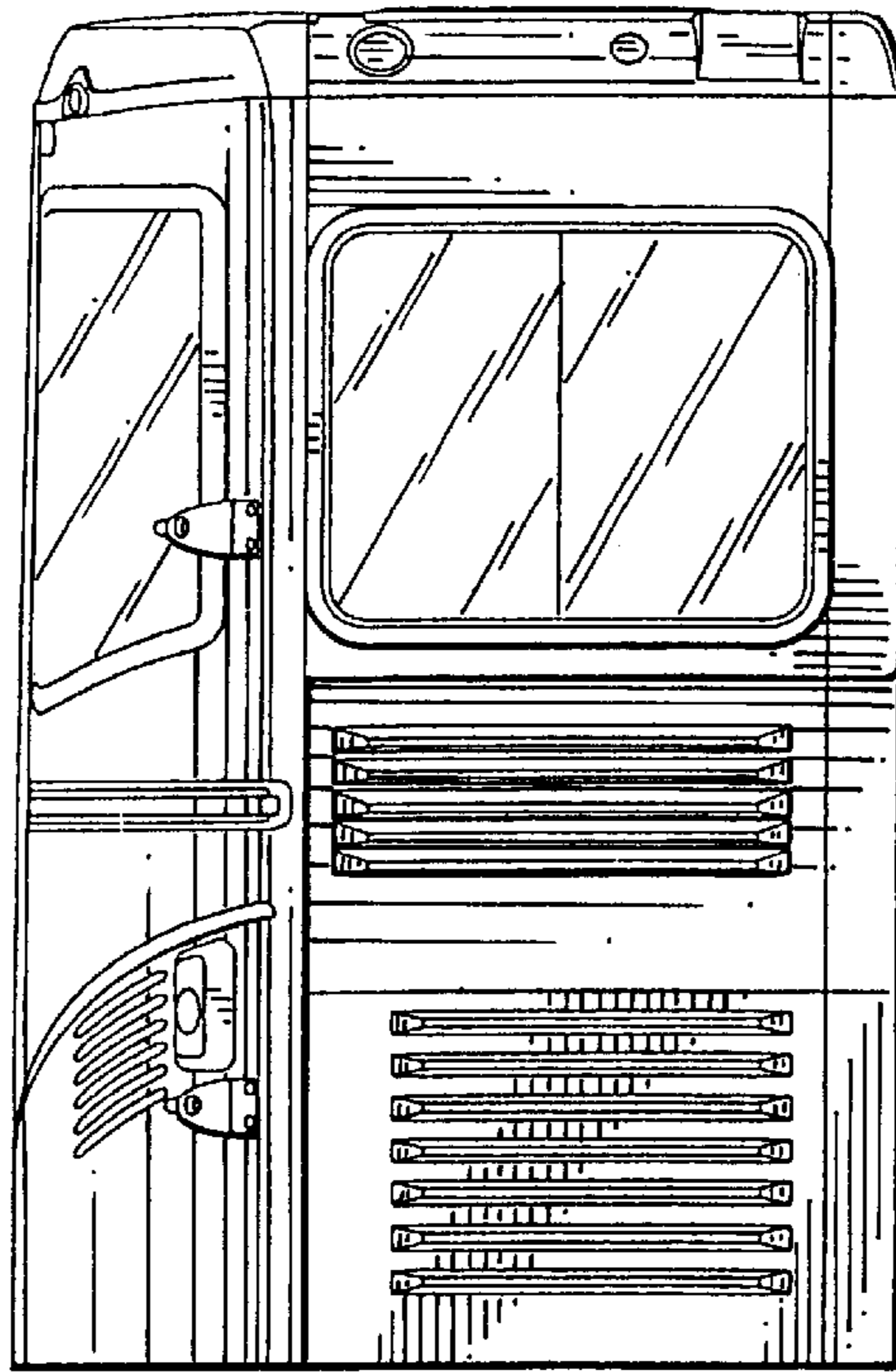


FIG. 3

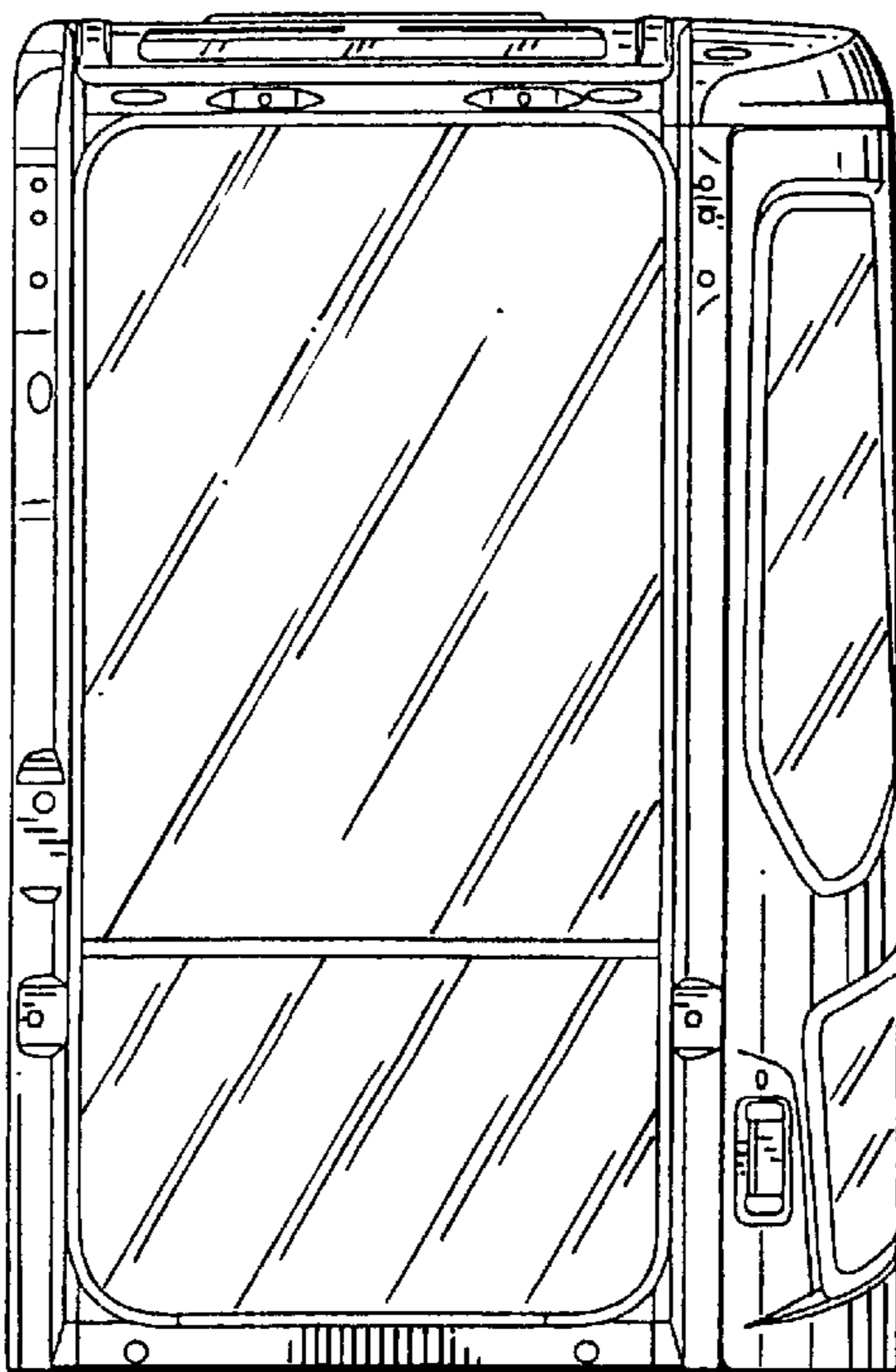


FIG. 4

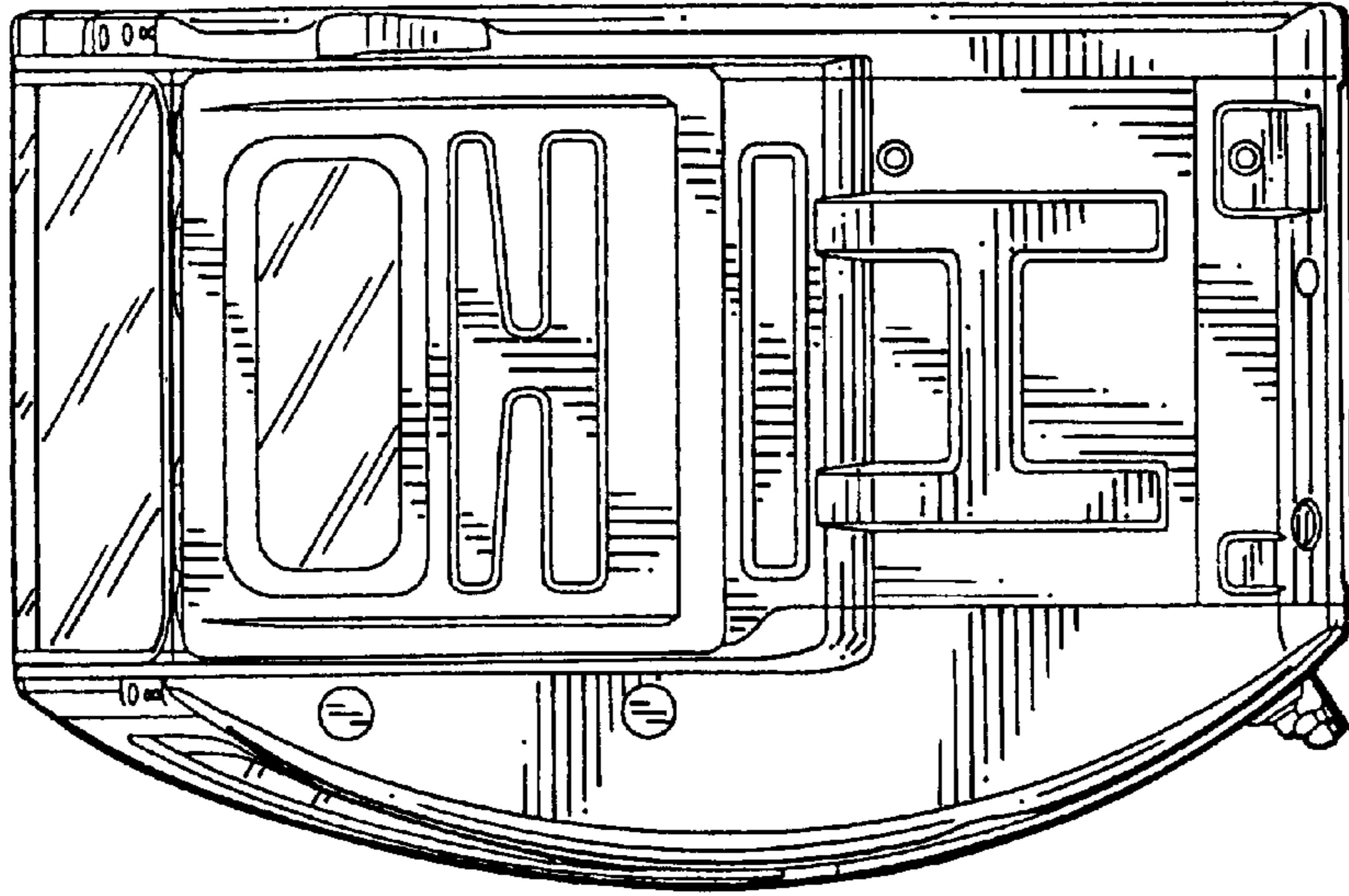


FIG. 5

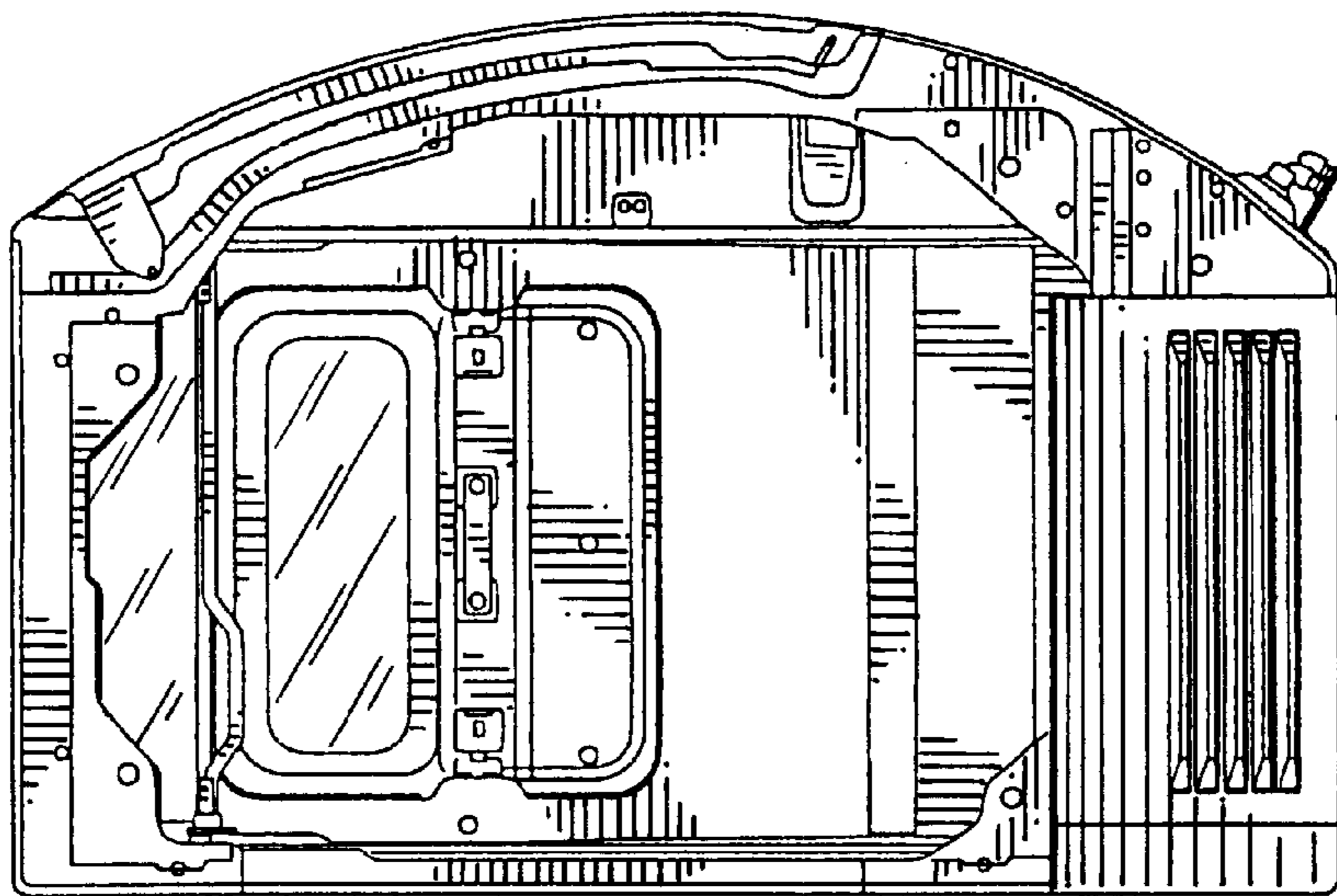


FIG. 6

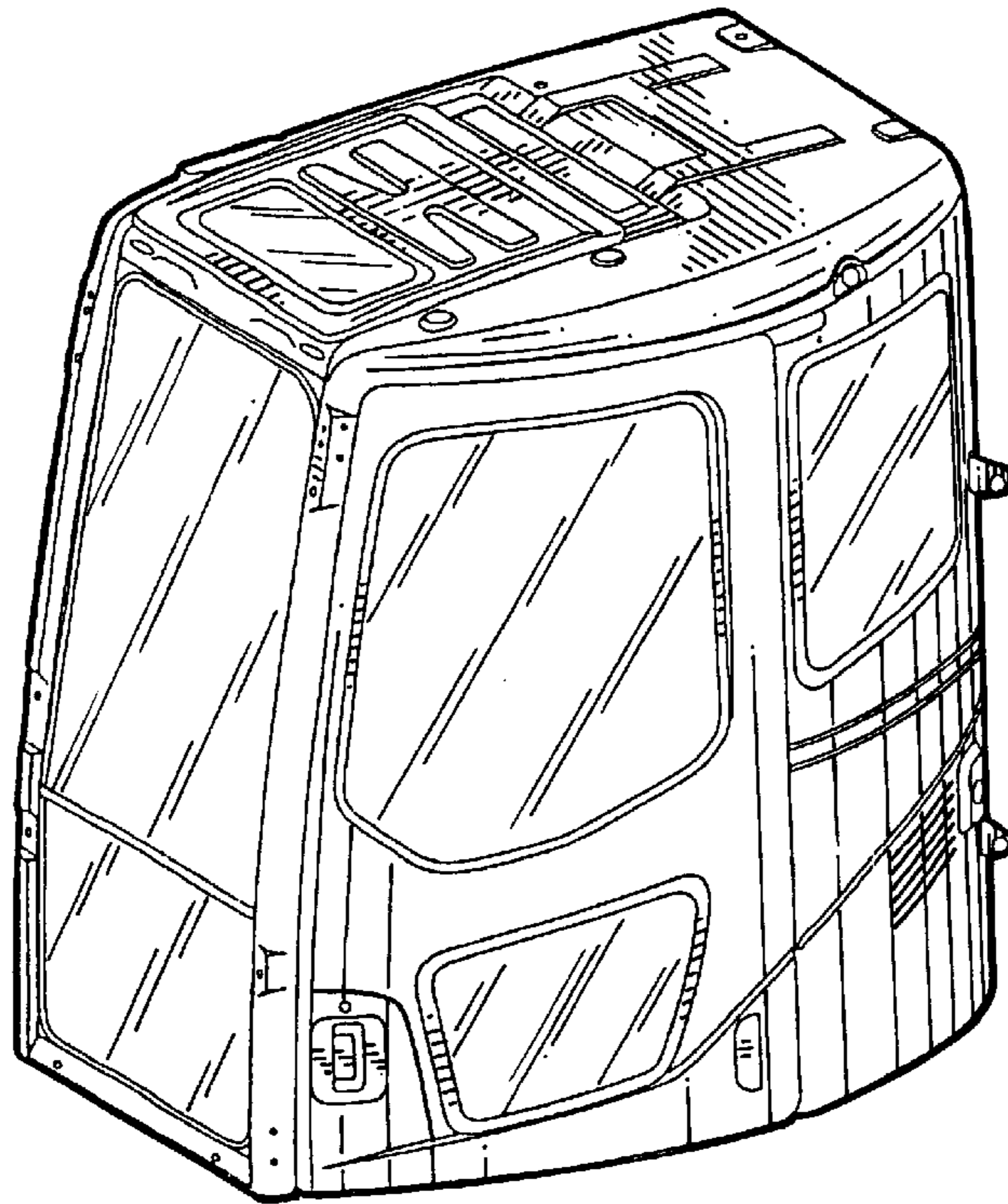


FIG. 7

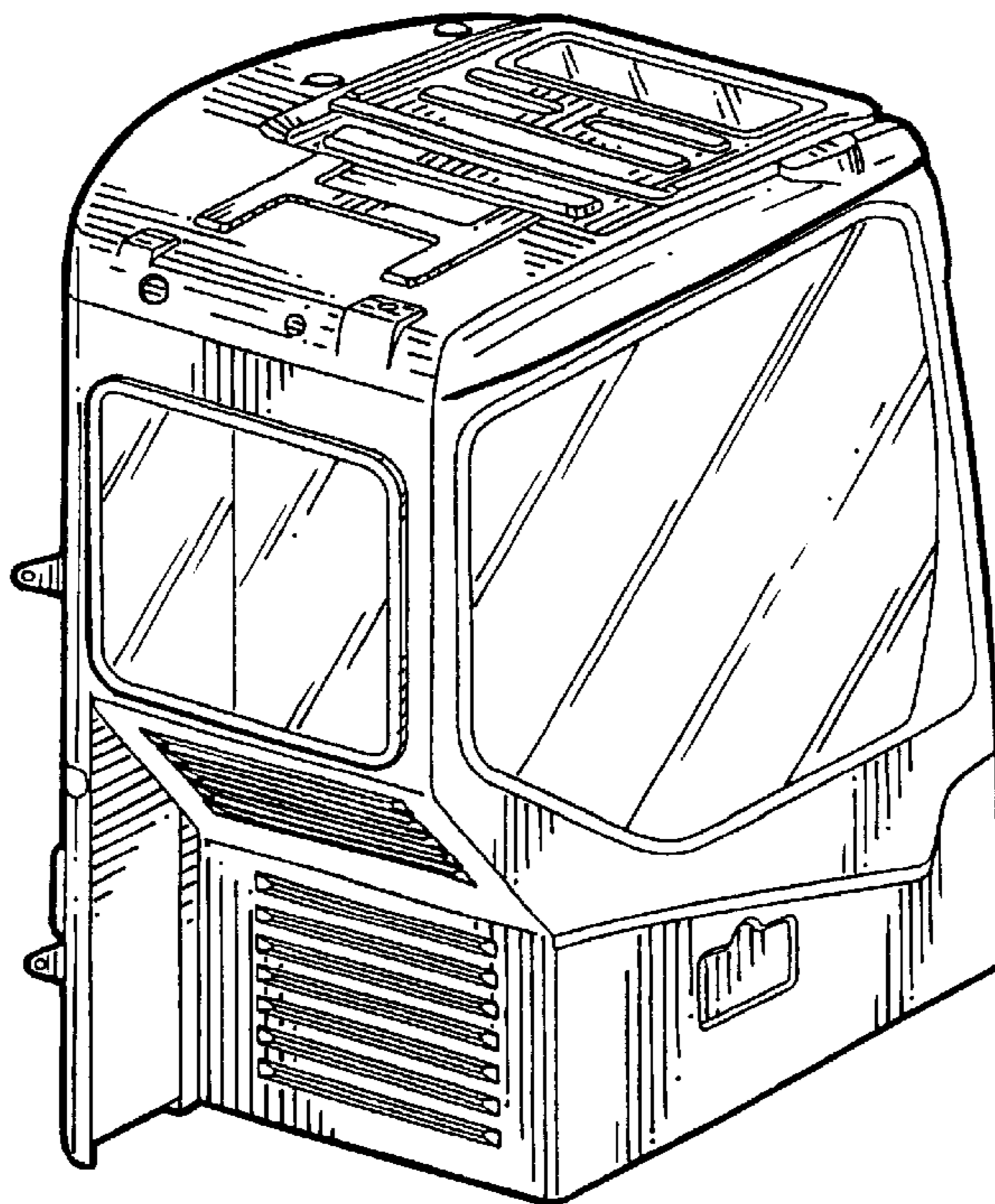


FIG. 8