



US00D463456S

(12) **United States Design Patent**
Witte et al.

(10) **Patent No.:** **US D463,456 S**

(45) **Date of Patent:** **** Sep. 24, 2002**

(54) **CARGO BOX**

(75) Inventors: **Benjamin M. Witte**, Fairbank, IA (US);
Robert J. Recker, Waterloo, IA (US);
Mervin P. Kizlyk, Cedar Falls, IA
(US); **Barrie L. Smith**, Moline, IL
(US); **Daniel G. Niebuhr**, Fairbank, IA
(US); **Michael O. Youngblood**, Cedar
Falls, IA (US); **Gary Vandebark**,
Markleville, IN (US); **Ryan Libler**,
Anderson, IN (US); **Kevin Augustin**,
Greenwood, IN (US); **Curt Jensen**,
Fort Mill, SC (US); **James Nagorcka**,
Tarrington (AU)

(73) Assignee: **Deere & Company**, Moline, IL (US)

(**) Term: **14 Years**

(21) Appl. No.: **29/143,103**

(22) Filed: **Jun. 7, 2001**

(51) **LOC (7) Cl.** **15-03**

(52) **U.S. Cl.** **D15/28**

(58) **Field of Search** D15/22-28, 33;
180/900; 414/487, 549-551, 695; 56/13.7,
14.9, 6, 295

(56)

References Cited

U.S. PATENT DOCUMENTS

2,362,994 A	*	11/1944	Frost	414/487
2,459,473 A	*	1/1949	Troutman	414/487
3,601,958 A	*	8/1971	Roof	56/13.7
5,468,120 A	*	11/1995	Faun	414/695
D386,769 S	*	11/1997	Gibbons	D15/23
D442,972 S	*	5/2001	Wolf	D15/15

* cited by examiner

Primary Examiner—Mitchell Siegal

(57)

CLAIM

The ornamental design for a cargo box, as shown and described.

DESCRIPTION

FIG. 1 is an elevated rear perspective view of a cargo box showing the new design without a tail gate.

FIG. 2 is a top view of the cargo box design of FIG. 1.

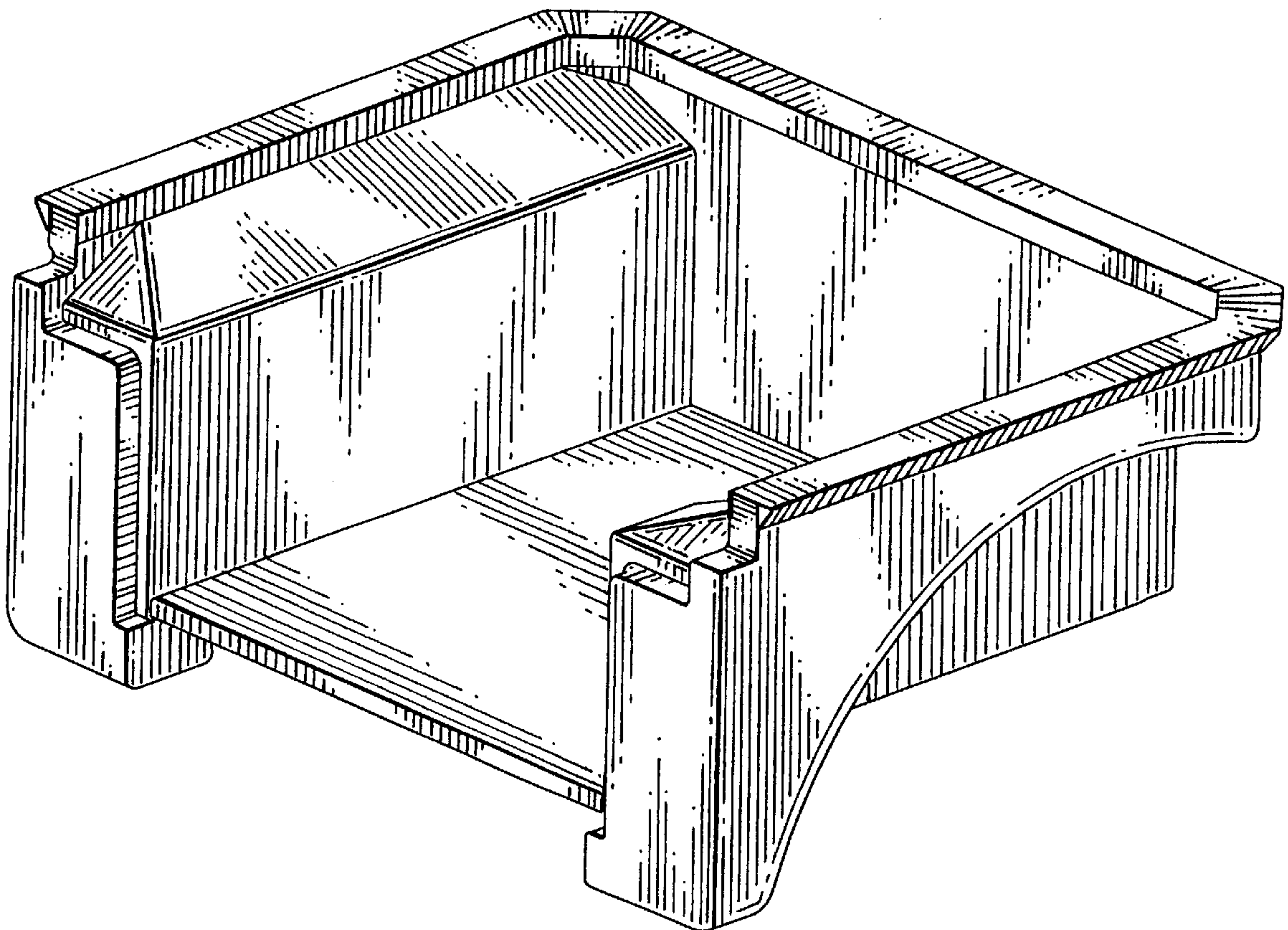
FIG. 3 is a right side view of the cargo box design of FIG. 1.

FIG. 4 is a left side view of the cargo box design of FIG. 1.

FIG. 5 is a front view of the cargo box design of FIG. 1; and,

FIG. 6 is a rear view of the cargo box design of FIG. 1.

1 Claim, 3 Drawing Sheets



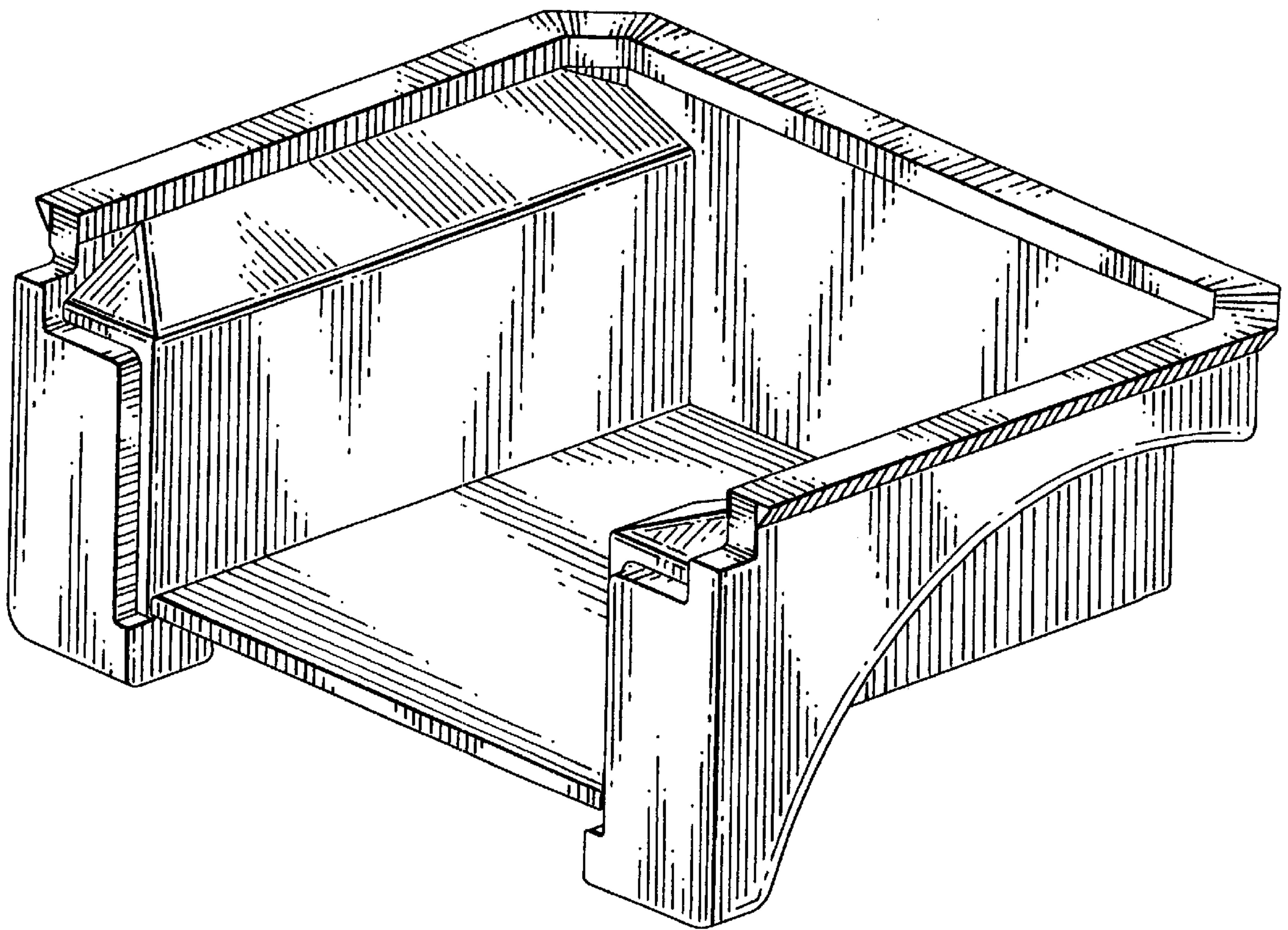


Fig. 1

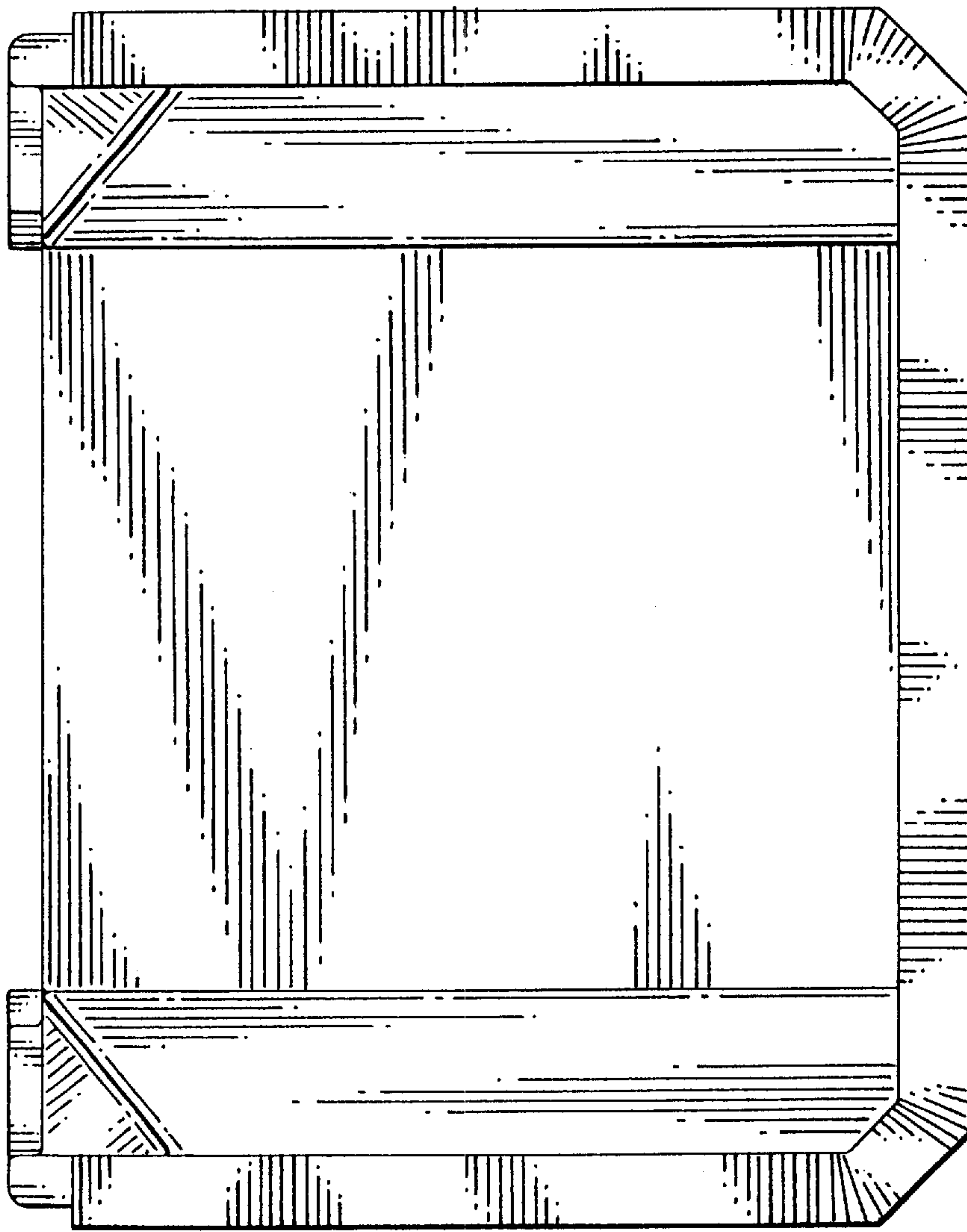


Fig. 2

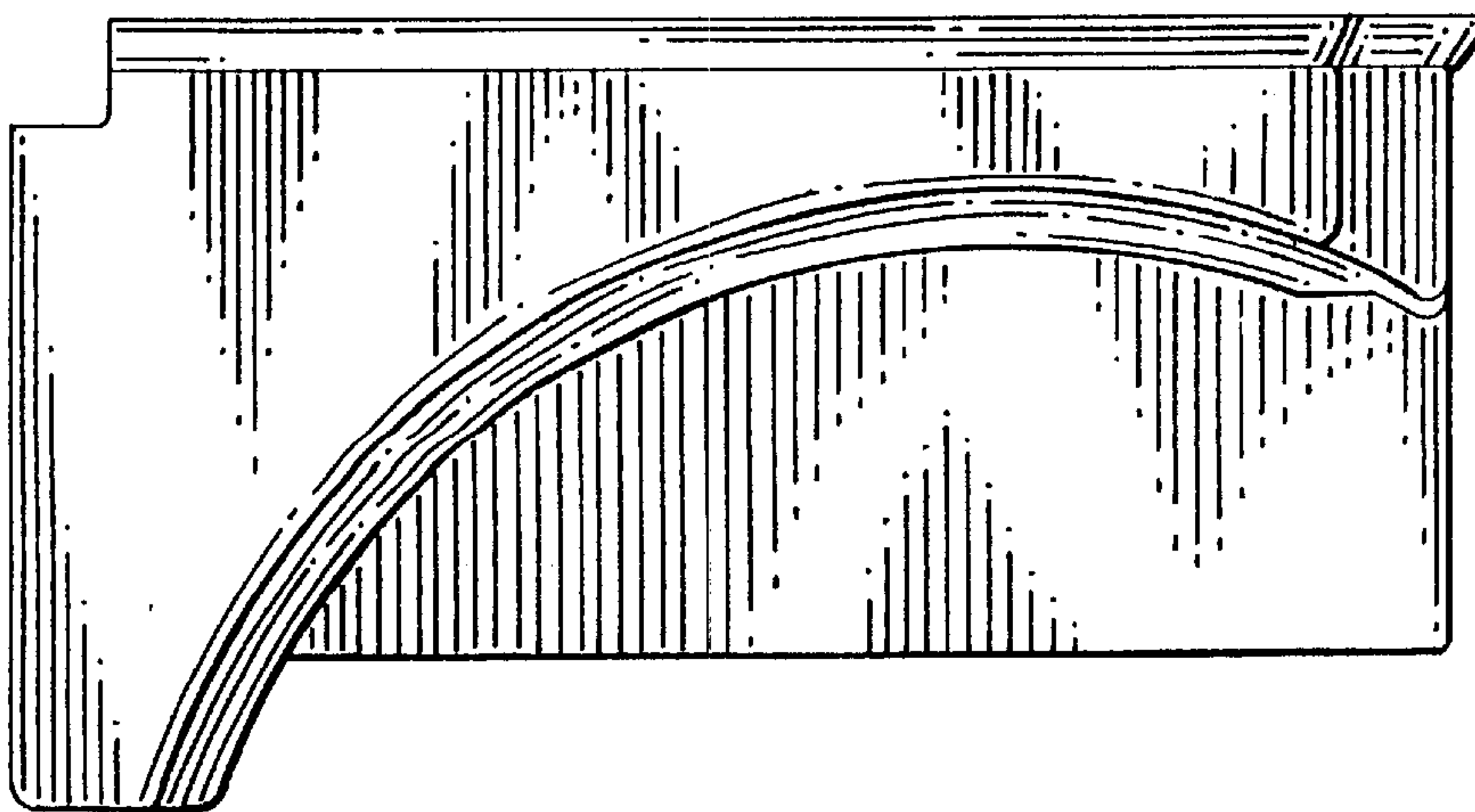


Fig. 3

Fig. 4

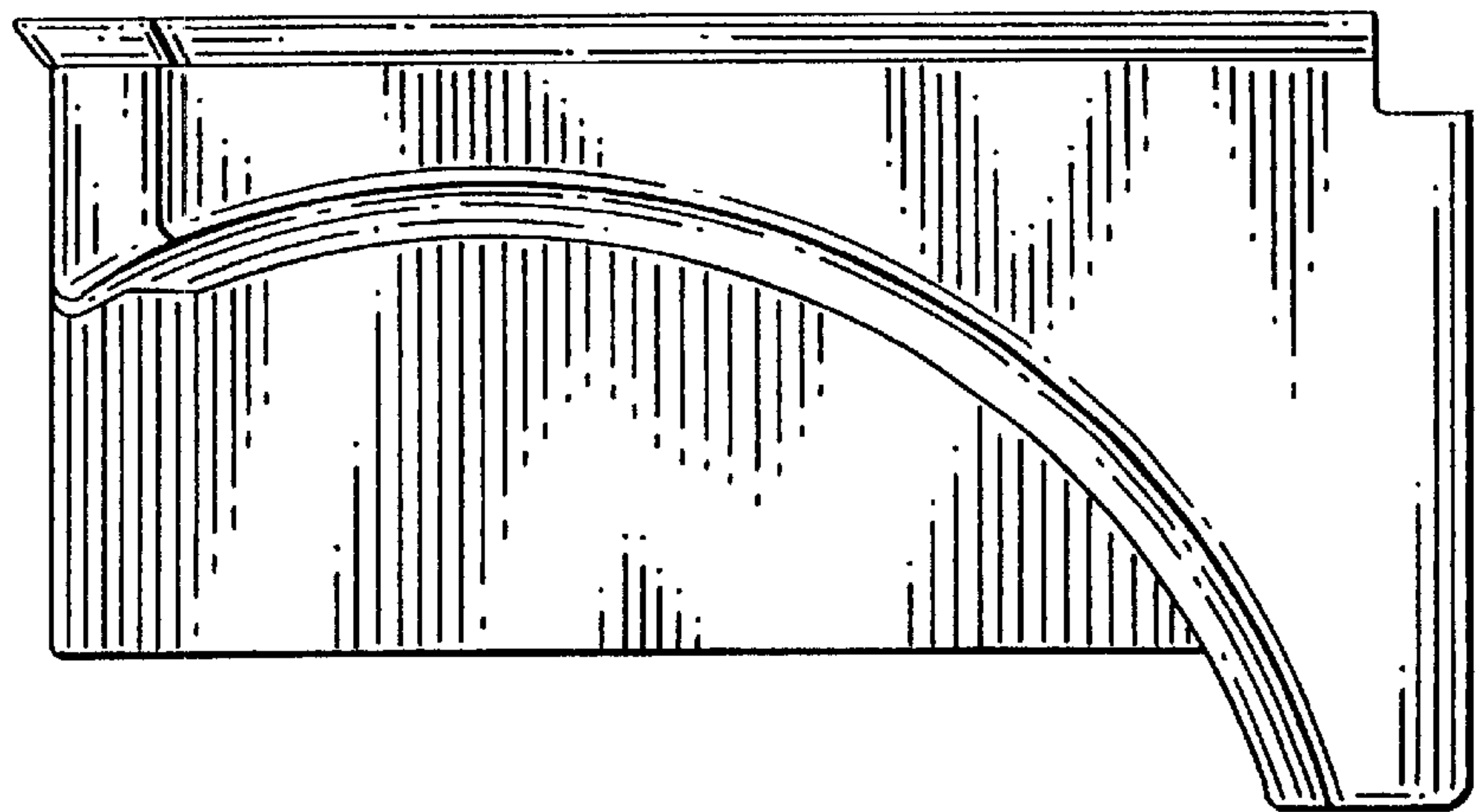


Fig. 5

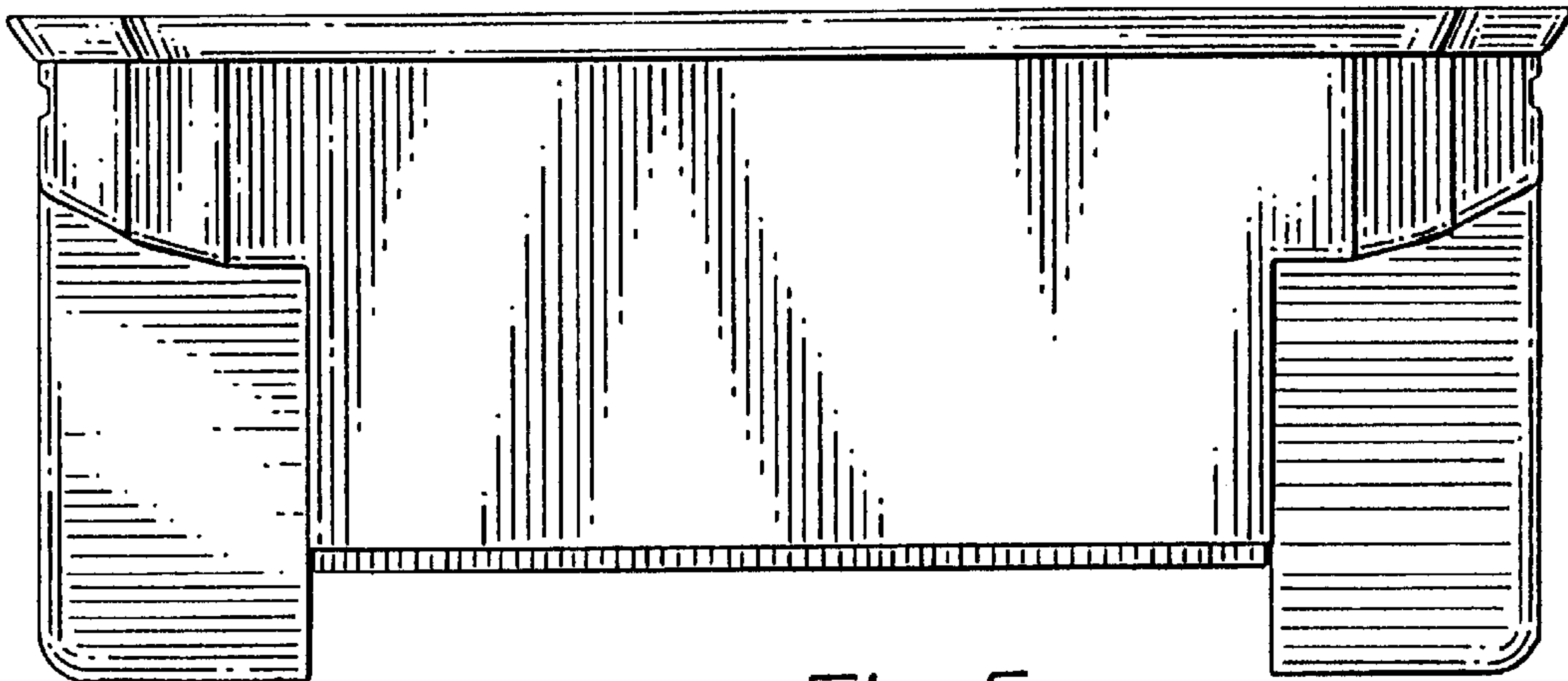


Fig. 6

