



US00D463455S

(12) **United States Design Patent**
Yanagida et al.

(10) **Patent No.:** **US D463,455 S**

(45) **Date of Patent:** **** Sep. 24, 2002**

(54) **POWER SHOVEL**

(75) Inventors: **Yasuhiro Yanagida**, Tokyo (JP);
Hiroshi Imai, Komatsu (JP)

(73) Assignee: **Komatsu Ltd.**, Tokyo (JP)

(**) Term: **14 Years**

(21) Appl. No.: **29/149,964**

(22) Filed: **Oct. 25, 2001**

(30) **Foreign Application Priority Data**

Apr. 27, 2001 (JP) 2001-012444

(51) **LOC (7) Cl.** **12-09**

(52) **U.S. Cl.** **D15/25**

(58) **Field of Search** D15/22-26; 414/687,
414/684, 698, 699, 722; 180/89.12, 89.1;
280/781, 778; 37/403, 411, 414

(56) **References Cited**

U.S. PATENT DOCUMENTS

D208,693 S * 9/1967 Prime D15/24
4,397,481 A * 8/1983 Dion et al. 280/781
D271,396 S * 11/1983 Inui D15/24

D338,019 S * 8/1993 Bhabra D15/25
5,590,482 A * 1/1997 Peterson et al. 37/403
D391,272 S * 2/1998 Jin et al. D15/25
D406,152 S * 2/1999 Miyaoka et al. D15/25
D409,629 S * 5/1999 Miyaoka et al. D15/25
D432,145 S * 10/2000 Kraft et al. D15/30
D437,602 S * 2/2001 Hiraoka et al. D15/25

* cited by examiner

Primary Examiner—Mitchell Siegel

(74) *Attorney, Agent, or Firm*—Kanesaka & Takeuchi

(57) **CLAIM**

The ornamental design for a power shovel, as shown and described.

DESCRIPTION

FIG. 1 is a top plan view of a power shovel showing our new design;

FIG. 2 is a front view thereof;

FIG. 3 is a rear view thereof;

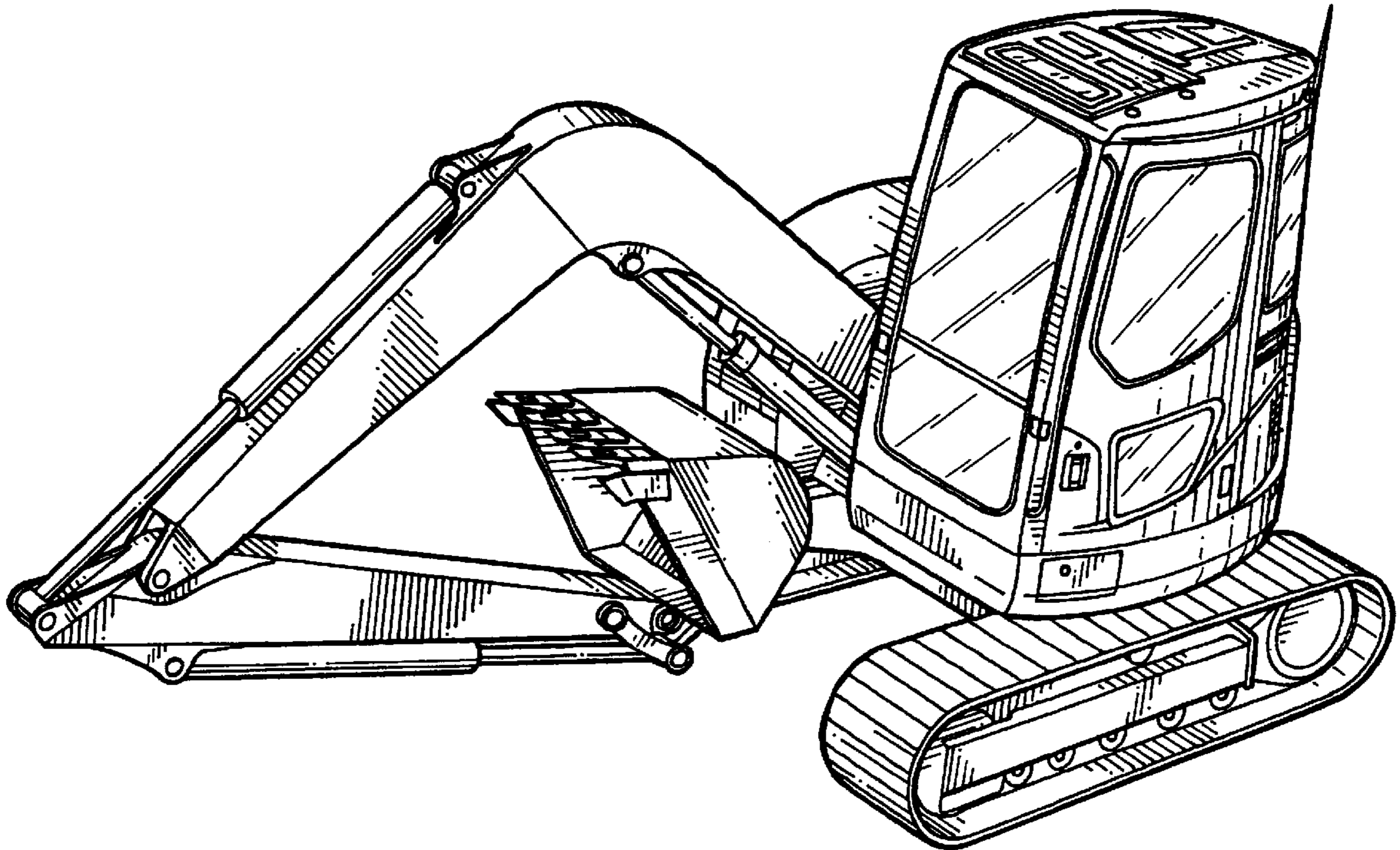
FIG. 4 is a right side view thereof;

FIG. 5 is a left side view thereof;

FIG. 6 is a bottom plan view thereof; and,

FIG. 7 is a perspective view thereof.

1 Claim, 6 Drawing Sheets



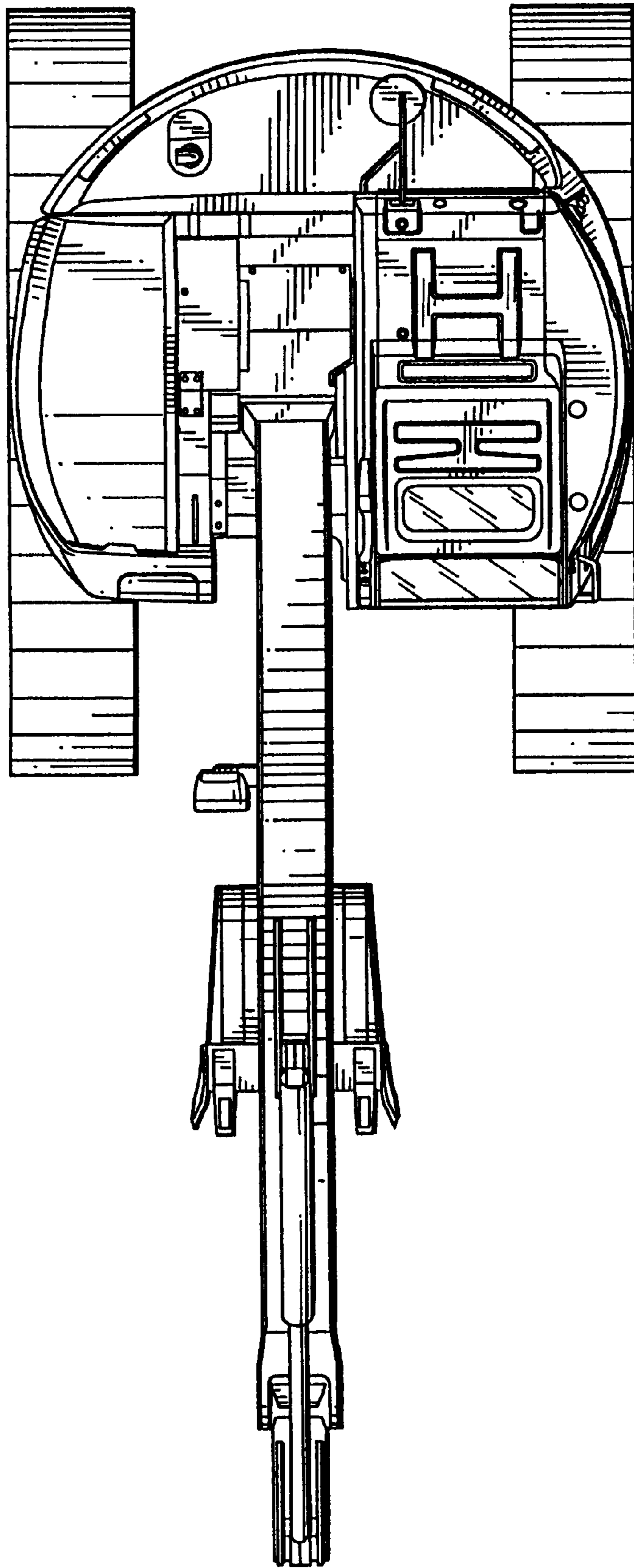


FIG. 1

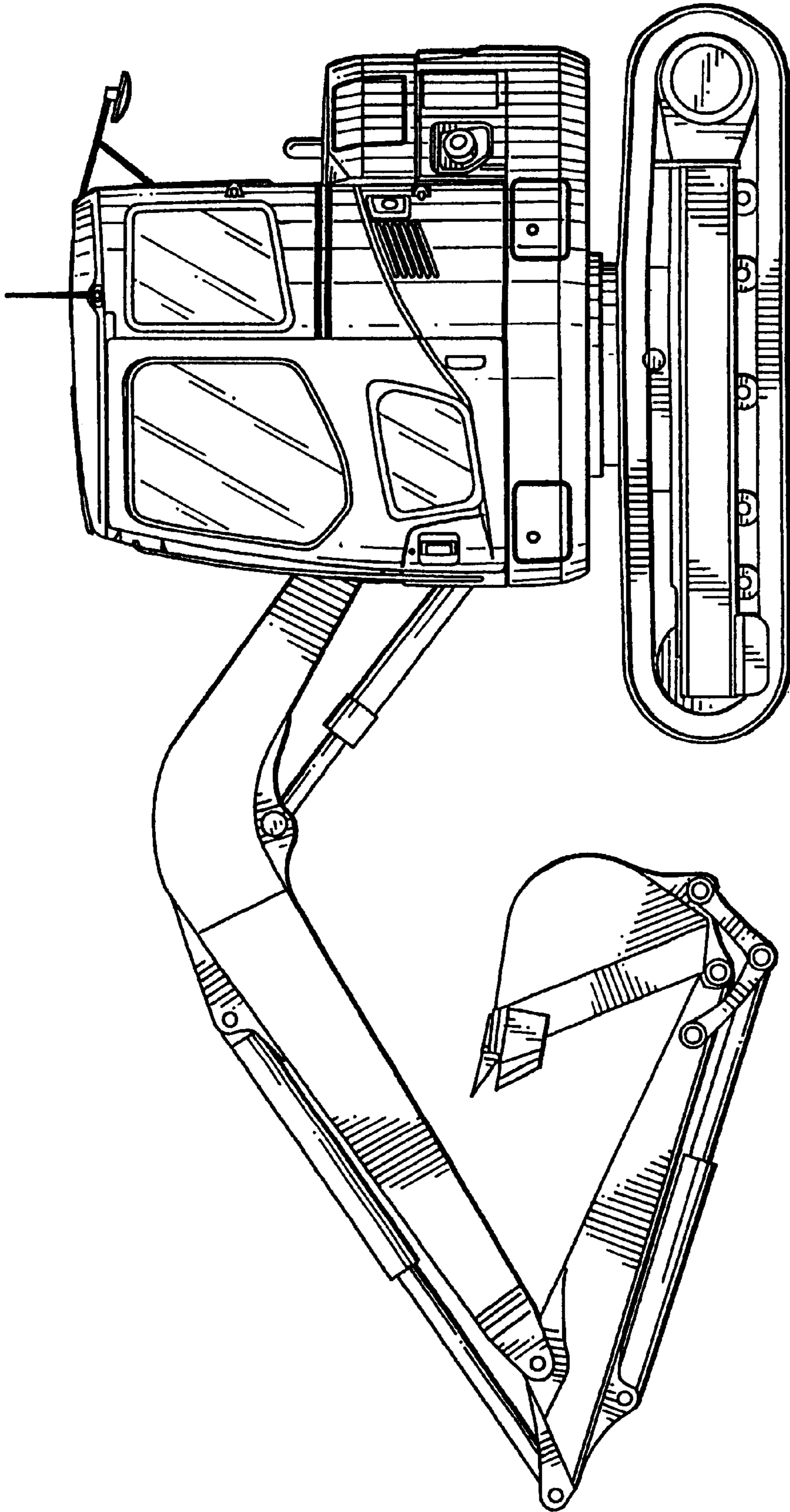


FIG. 2

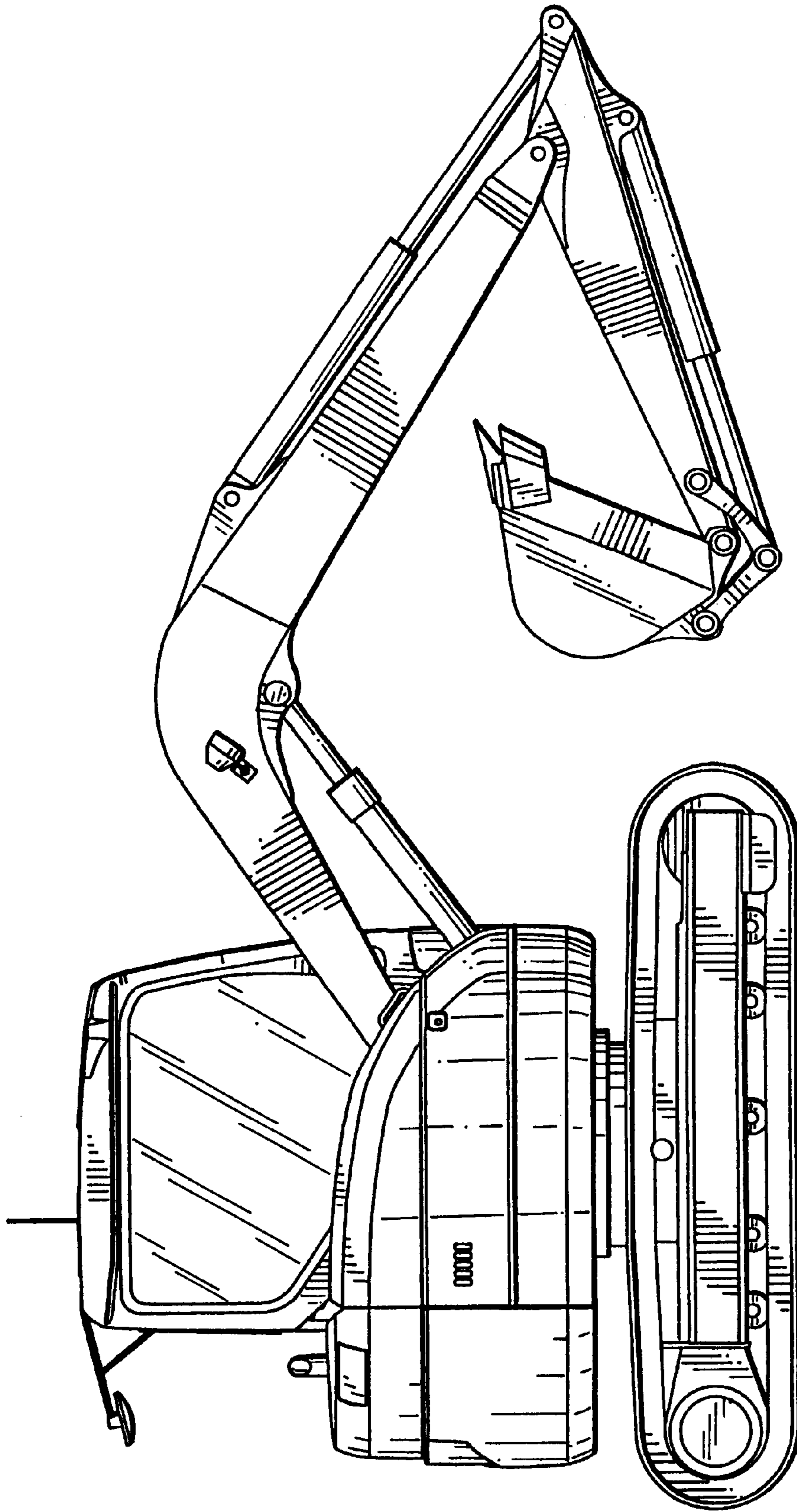


FIG. 3

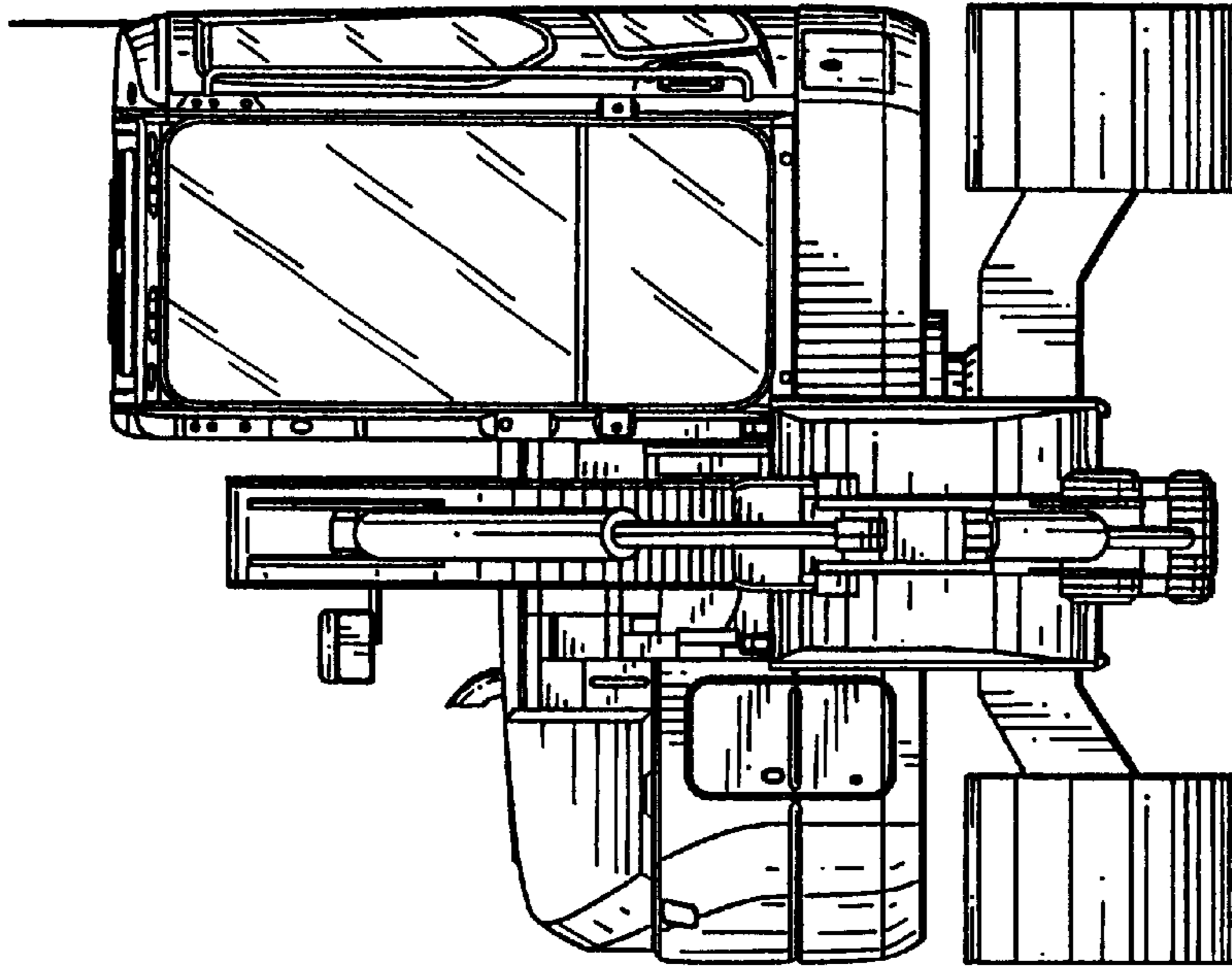


FIG. 5

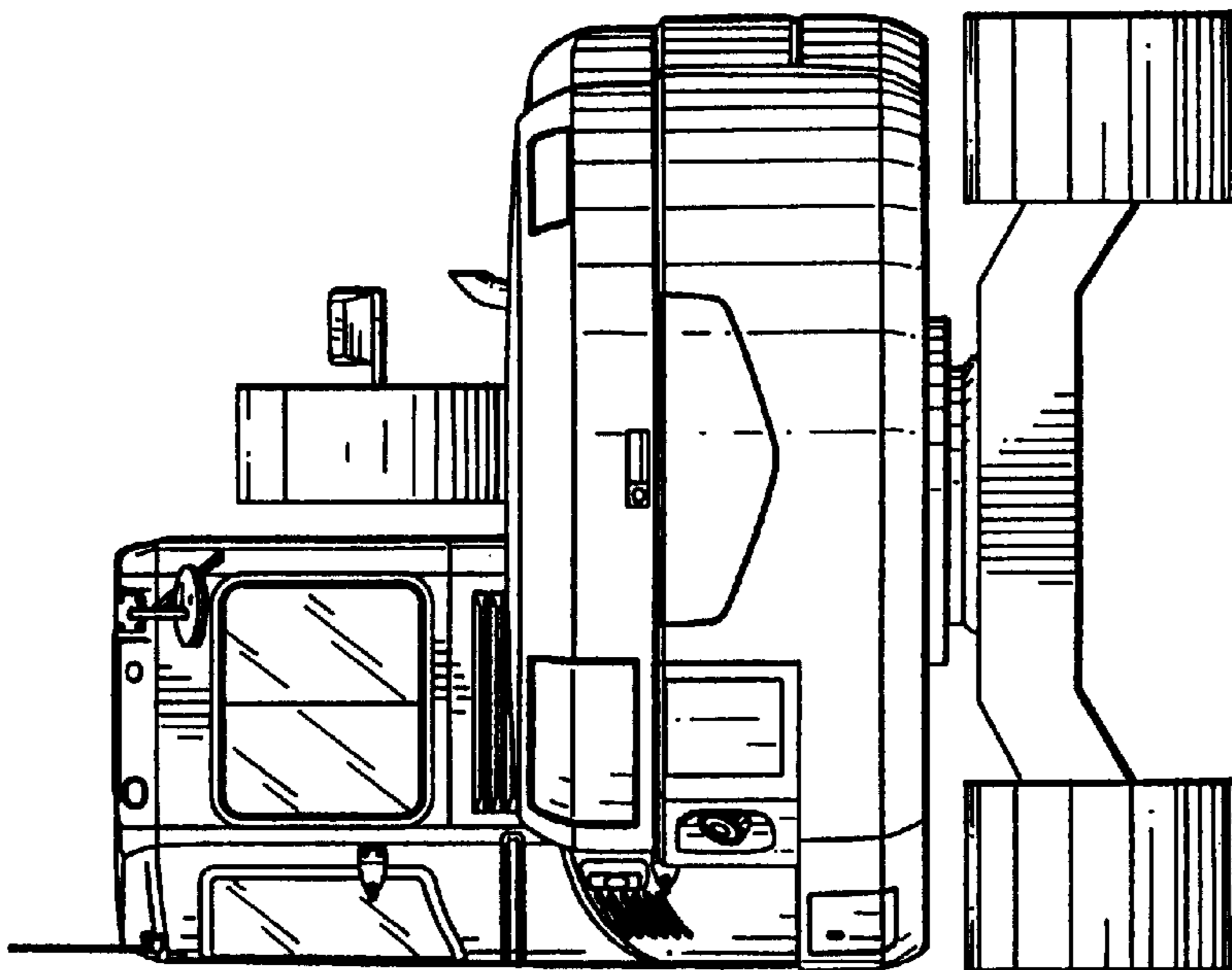


FIG. 4

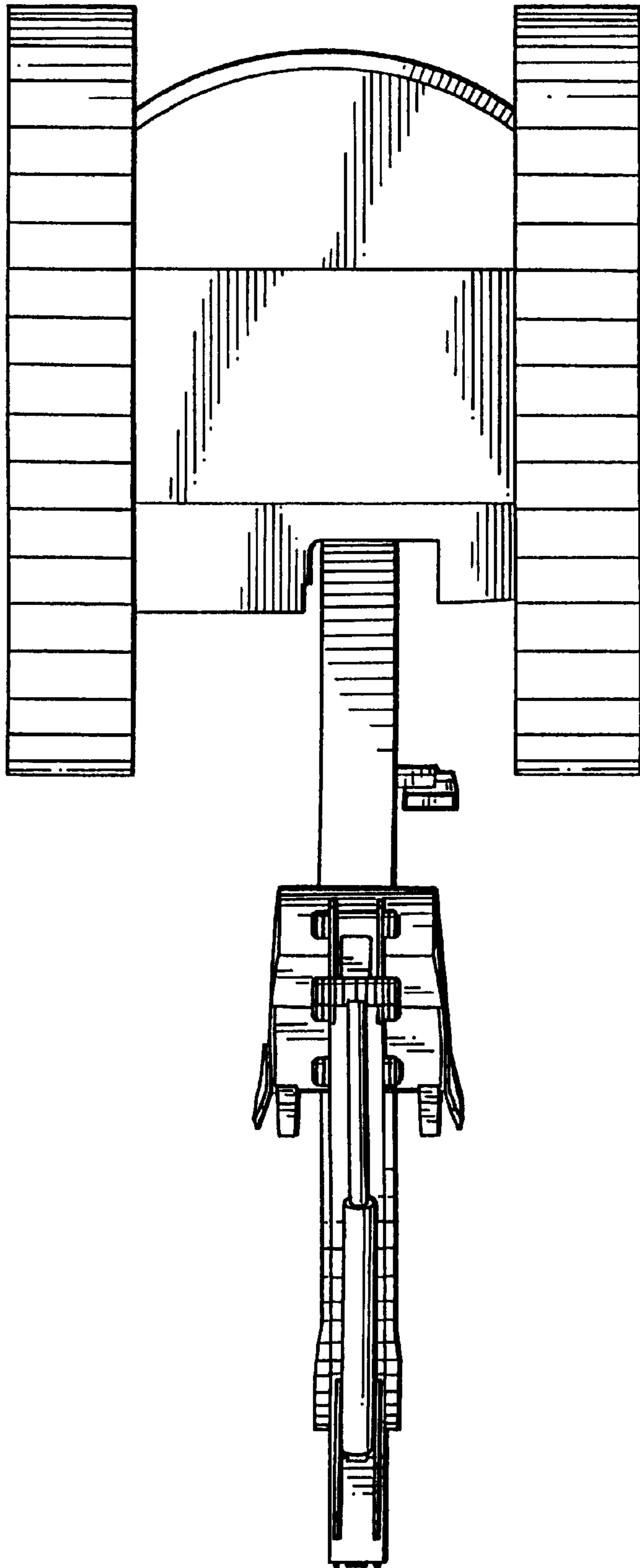


FIG. 6

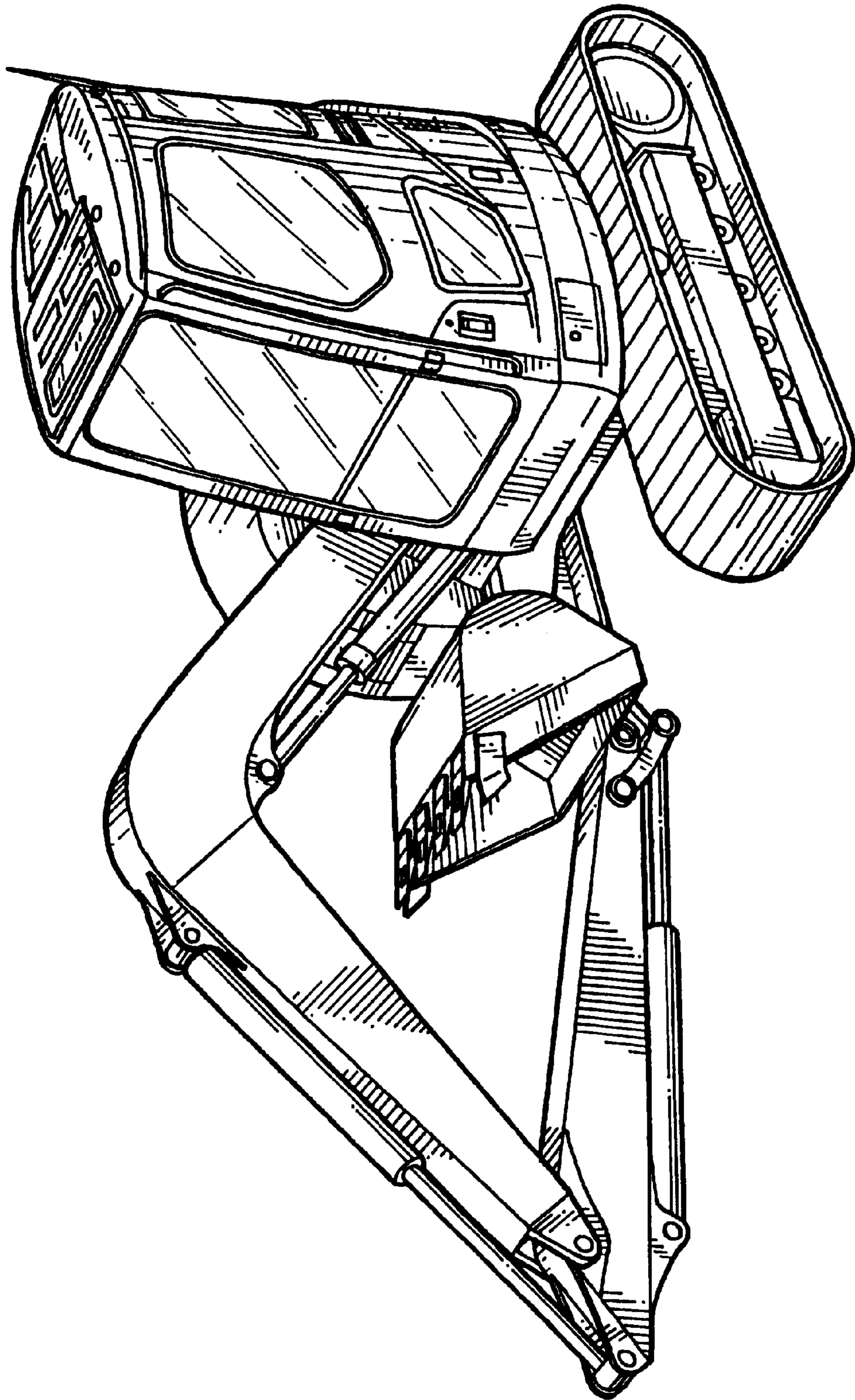


FIG. 7