



US00D463452S

(12) **United States Design Patent**
Soderqvist

(10) **Patent No.:** **US D463,452 S**

(45) **Date of Patent:** **** Sep. 24, 2002**

(54) **PUMP**

(75) Inventor: **Christer Soderqvist**, Eskilstuna (SE)

(73) Assignee: **Nike Hydraulics AB**, Eskilstuna (SE)

(**) Term: **14 Years**

(21) Appl. No.: **29/147,825**

(22) Filed: **Sep. 5, 2001**

(30) **Foreign Application Priority Data**

Mar. 5, 2001 (SE) 01-0398

(51) **LOC (7) Cl.** **15-02**

(52) **U.S. Cl.** **D15/7**

(58) **Field of Search** D15/7-9; 417/415,
417/419, 234, 229, 321, 410-411, 265,
405; D23/232

(56) **References Cited**

U.S. PATENT DOCUMENTS

D228,961 S * 10/1973 D'Haem et al. D23/232

D270,912 S * 10/1983 Sessody D15/7

D358,398 S * 5/1995 Persson D15/7

D393,650 S * 4/1998 Salce D16/314

D422,284 S * 4/2000 Kuan et al. D15/9

D436,600 S 1/2001 Larsson

* cited by examiner

Primary Examiner—Ralf Seifert

(74) *Attorney, Agent, or Firm*—Merchant & Gould, P.C.

(57) **CLAIM**

The ornamental design for pump, as shown and described.

DESCRIPTION

FIG. 1 is a front/top/right side perspective view of pump showing my new design;

FIG. 2 is a front elevational view thereof;

FIG. 3 is a rear elevational view thereof;

FIG. 4 is a right side elevational view thereof;

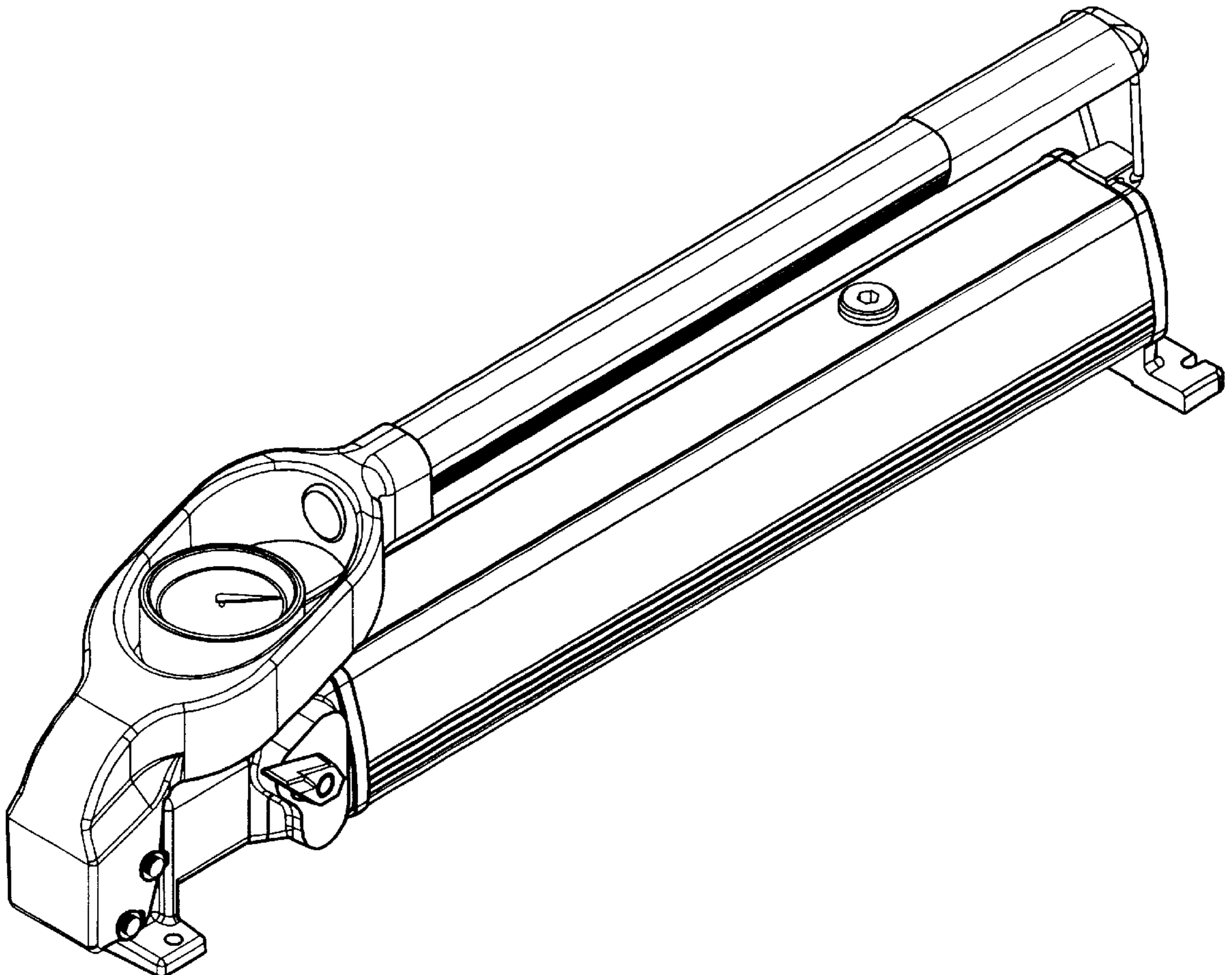
FIG. 5 is a left side elevational view thereof;

FIG. 6 is a top plan view thereof;

FIG. 7 is a bottom planview thereof; and,

FIG. 8 is a rear/bottom/left side perspective view.

1 Claim, 7 Drawing Sheets



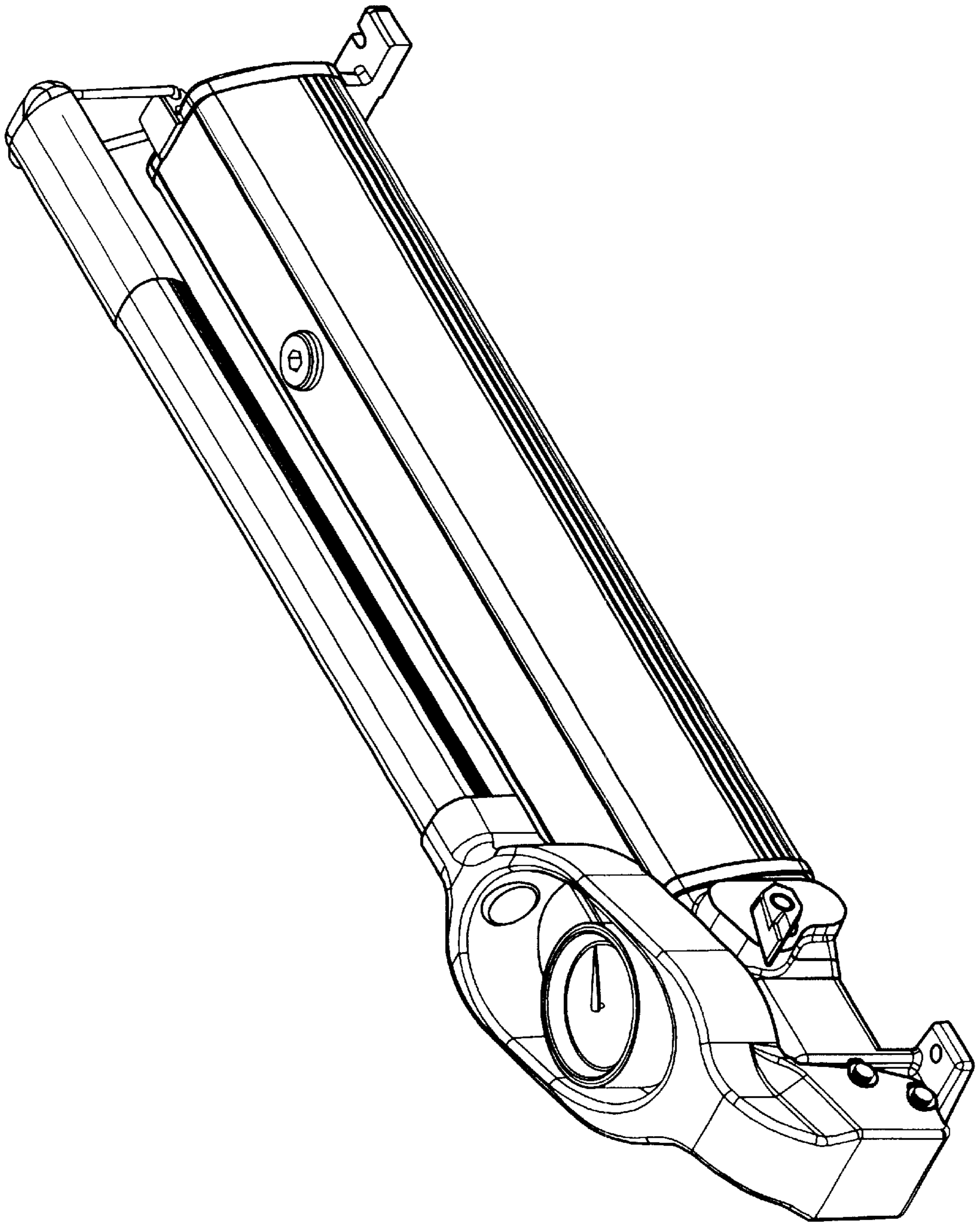


FIG. 1

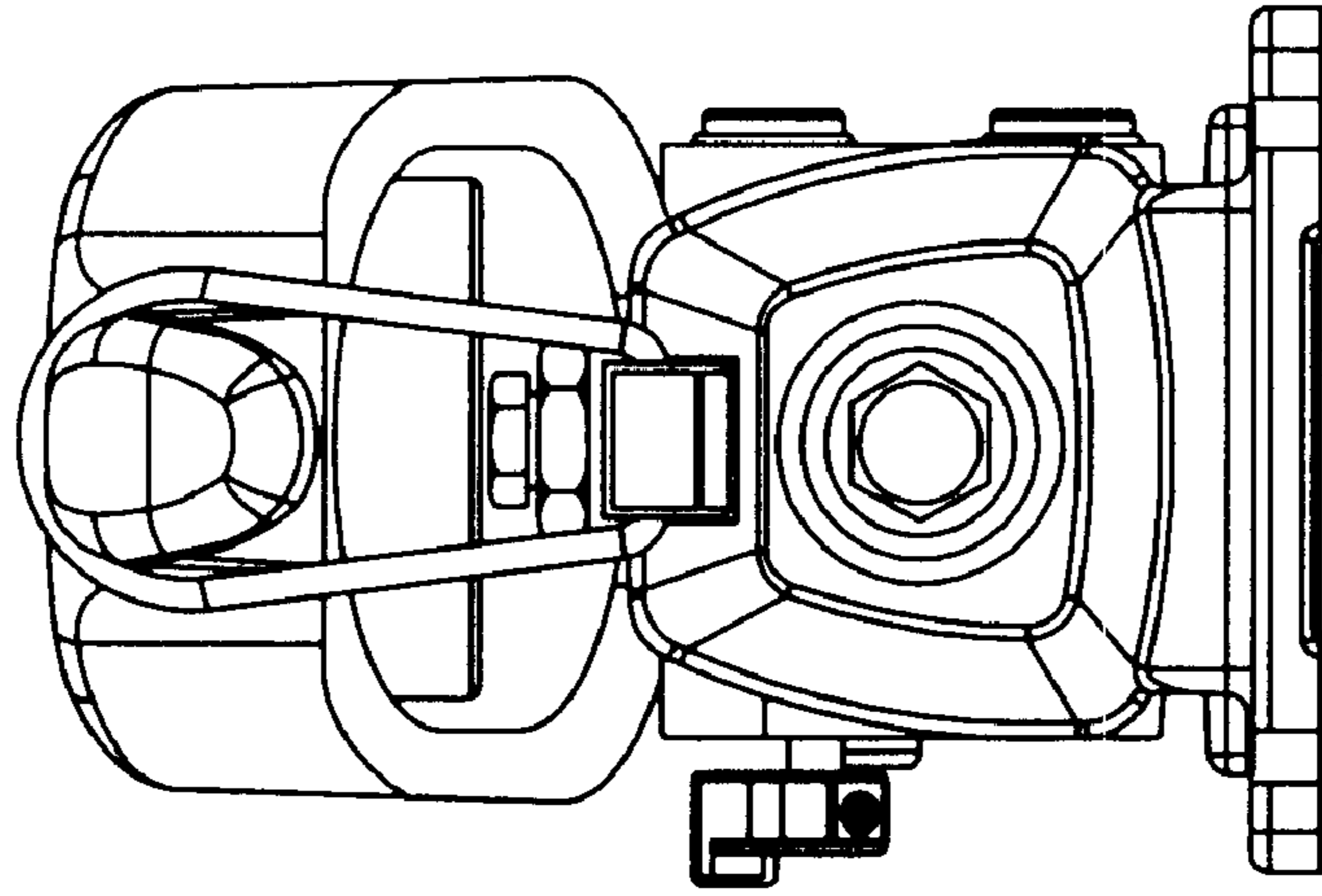


FIG. 2

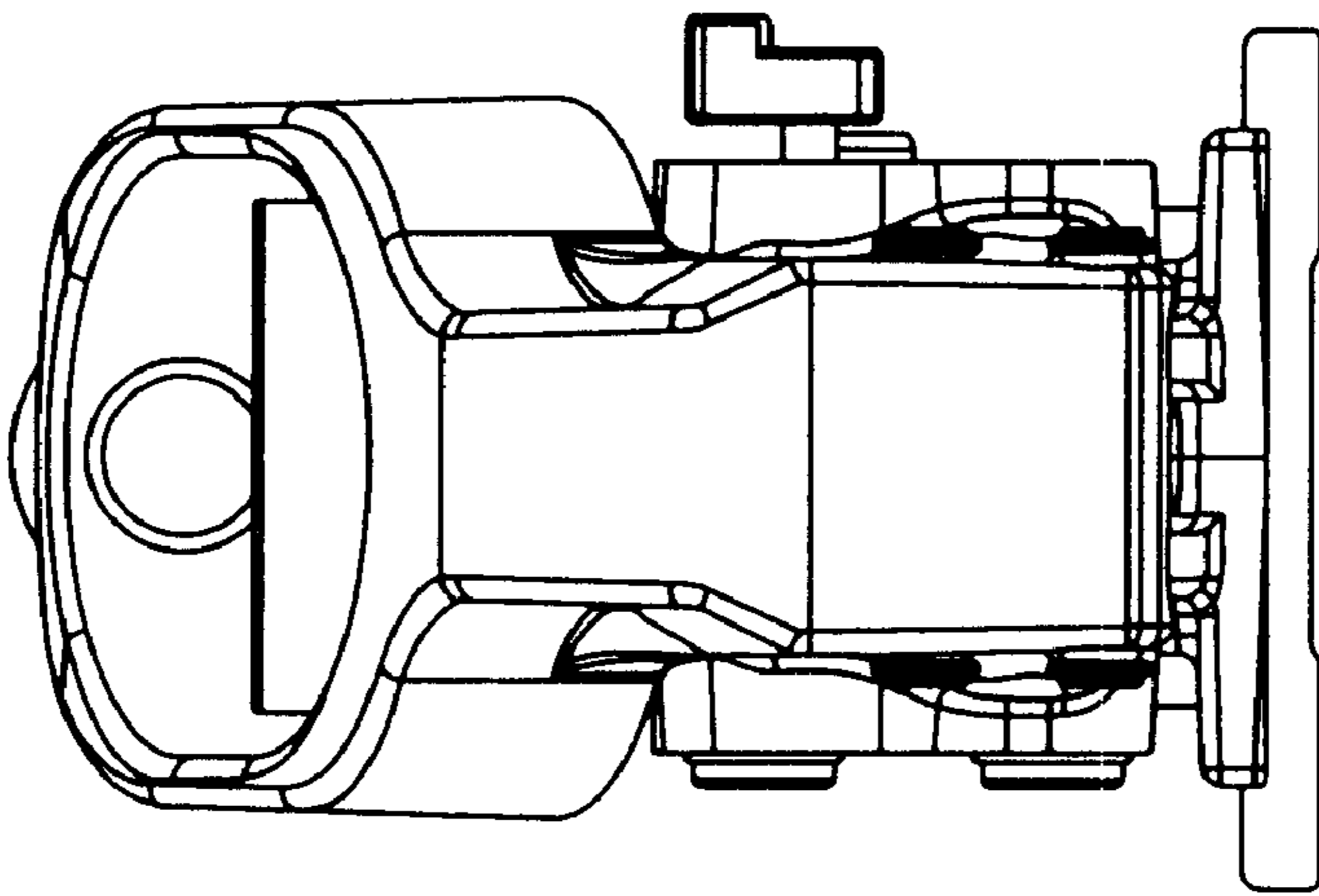


FIG. 3

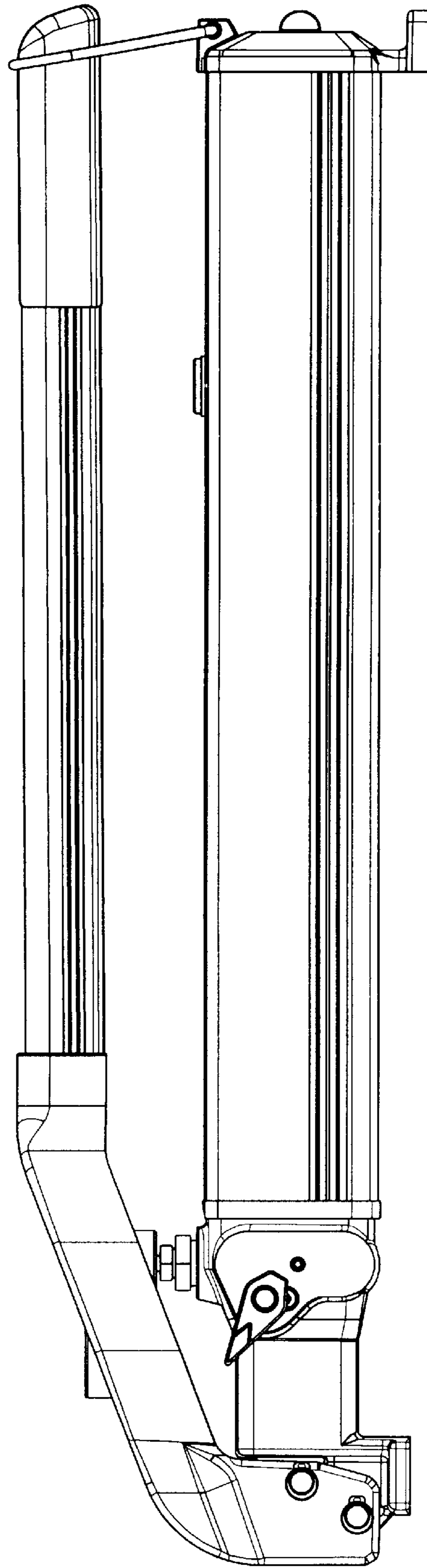


FIG. 4

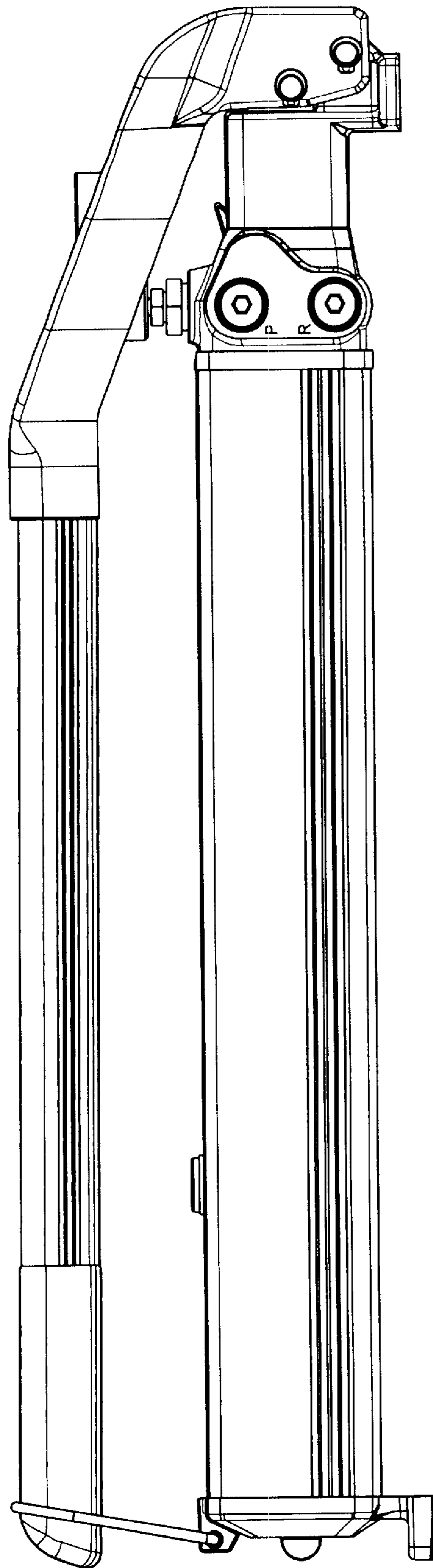


FIG. 5

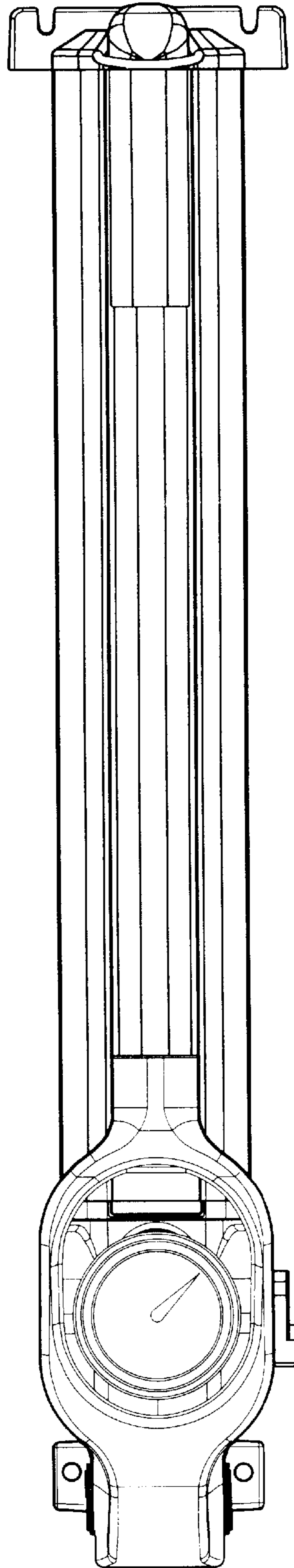


FIG. 6

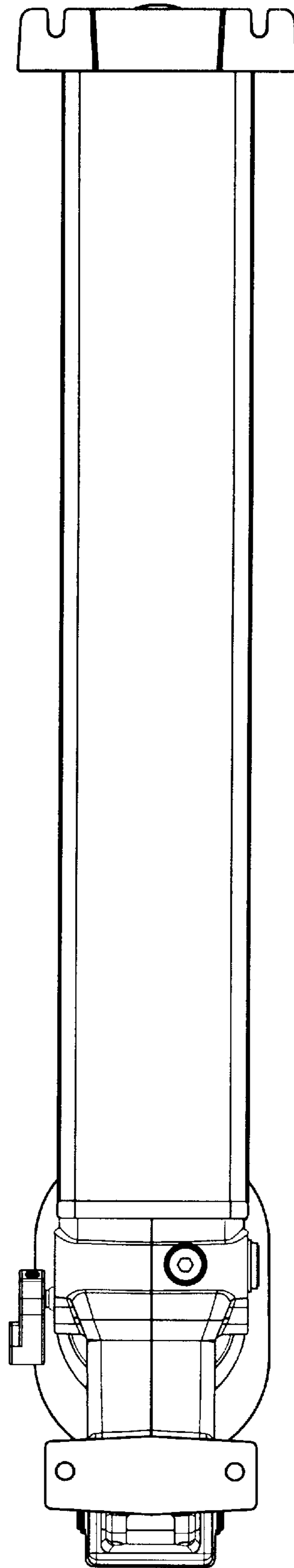


FIG. 7

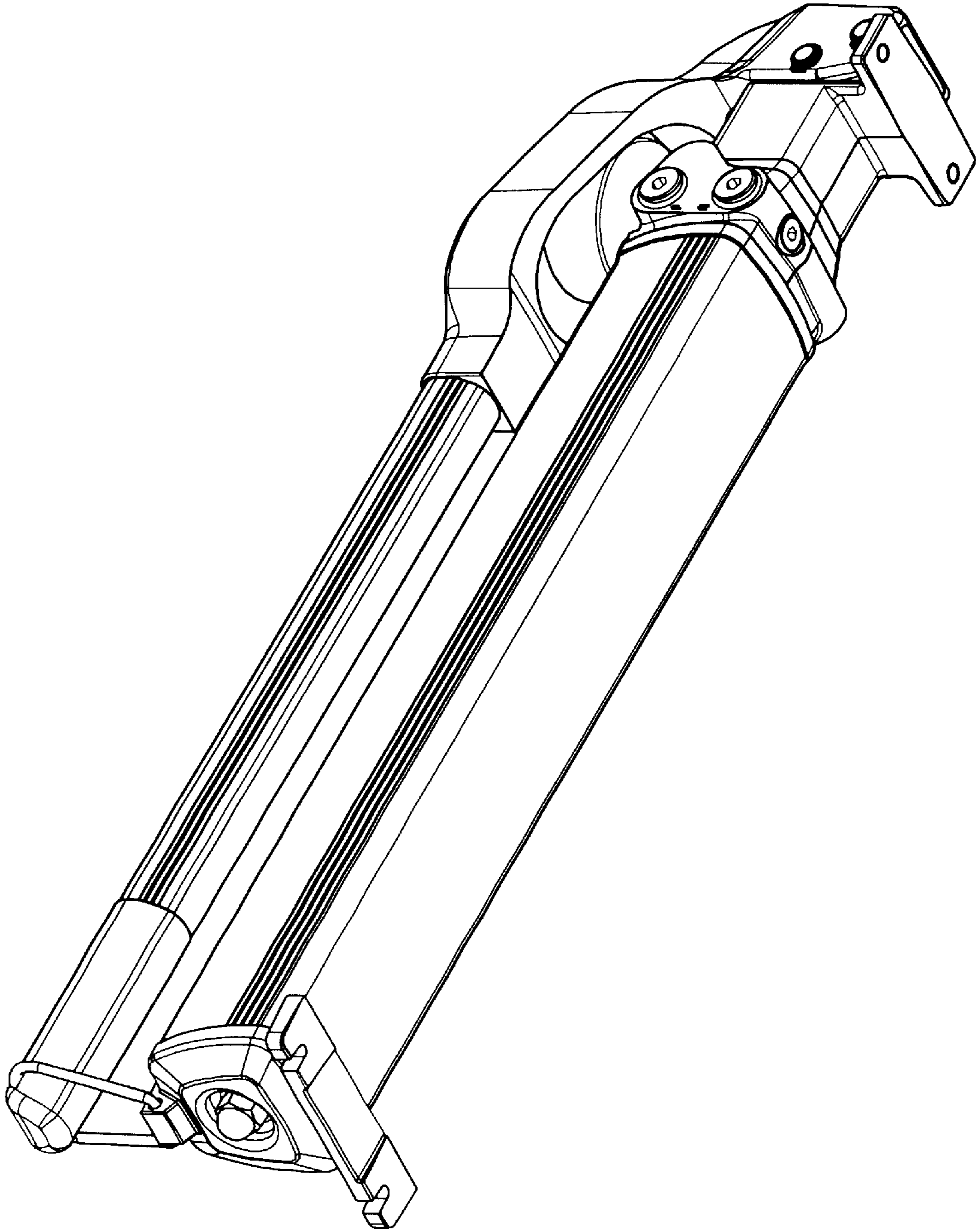


FIG. 8