



US00D463448S

(12) **United States Design Patent**
Osumi et al.

(10) **Patent No.:** **US D463,448 S**

(45) **Date of Patent:** **** Sep. 24, 2002**

(54) **OUTBOARD MOTOR**

(75) Inventors: **Masayuki Osumi**, Wako (JP); **Hiromi Yuzuriha**, Wako (JP); **Masahiro Anzai**, Wako (JP); **Koichi Azuma**, Wako (JP)

(73) Assignee: **Honda Giken Kogyo Kabushiki Kaisha**, Tokyo (JP)

(**) Term: **14 Years**

(21) Appl. No.: **29/142,375**

(22) Filed: **May 25, 2001**

(30) **Foreign Application Priority Data**

Nov. 29, 2000 (JP) 2000-033974

(51) **LOC (7) Cl.** **15-01**

(52) **U.S. Cl.** **D15/4**

(58) **Field of Search** D15/1-5; 440/52, 440/84, 88, 3-6; 123/495; 290/43-46, 54

(56) **References Cited**

U.S. PATENT DOCUMENTS

D422,599 S * 4/2000 Iekura D15/4

D425,522 S * 5/2000 Okamoto D15/4

D428,616 S * 7/2000 Iekura D15/4

D452,251 S * 12/2001 Okamoto D15/4

* cited by examiner

Primary Examiner—Melody N. Brown

(74) *Attorney, Agent, or Firm*—Arent Fox Kintner Plotkin & Kahn, PLLC

(57) **CLAIM**

The ornamental design for an outboard motor, as shown and described.

DESCRIPTION

FIG. 1 is a front view of an outboard motor showing our new design.

FIG. 2 is a rear view thereof.

FIG. 3 is a right side view thereof.

FIG. 4 is a left side view thereof.

FIG. 5 is a top plan view thereof; and,

FIG. 6 is a bottom view thereof.

1 Claim, 2 Drawing Sheets

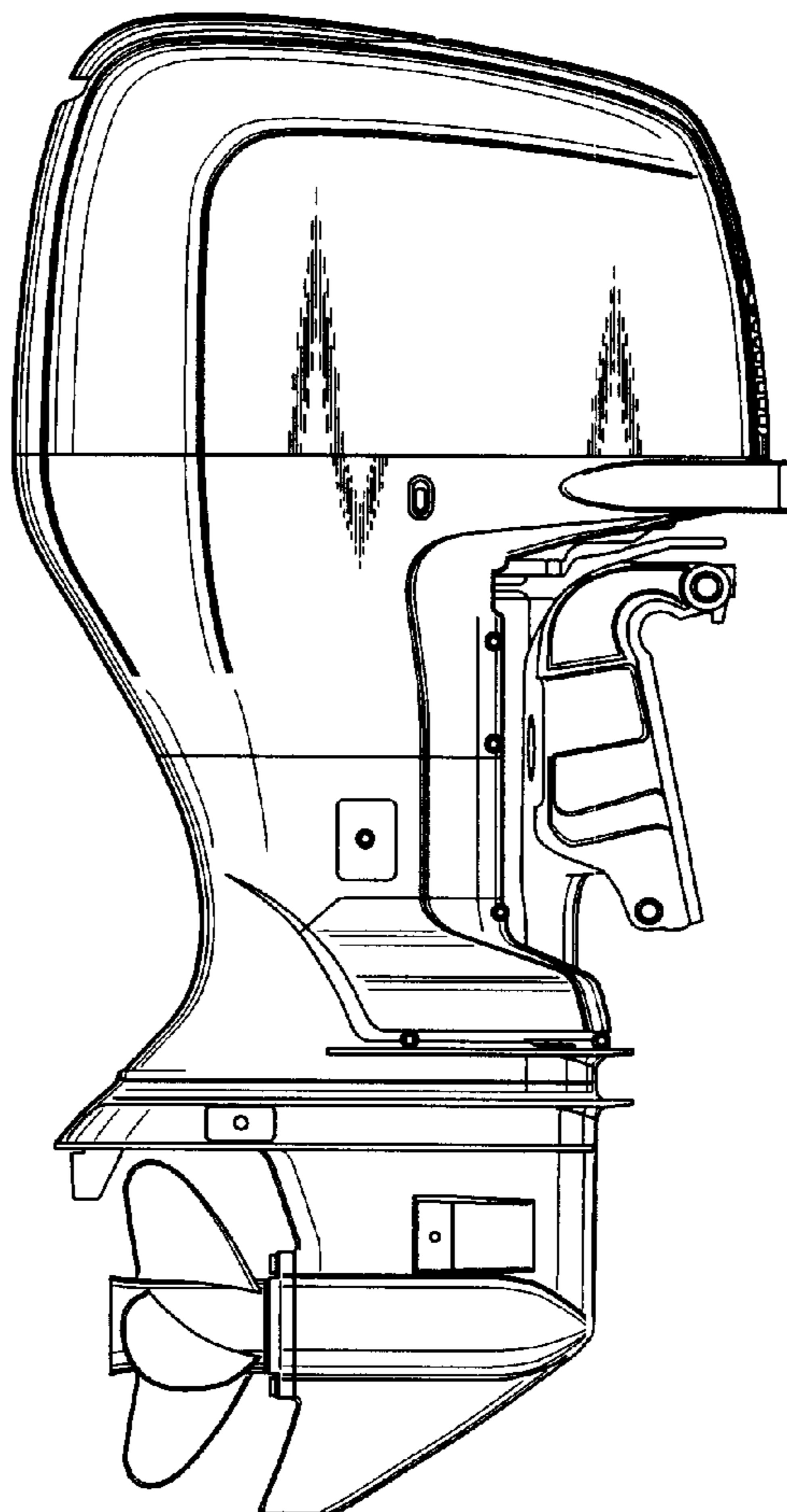


FIG.1

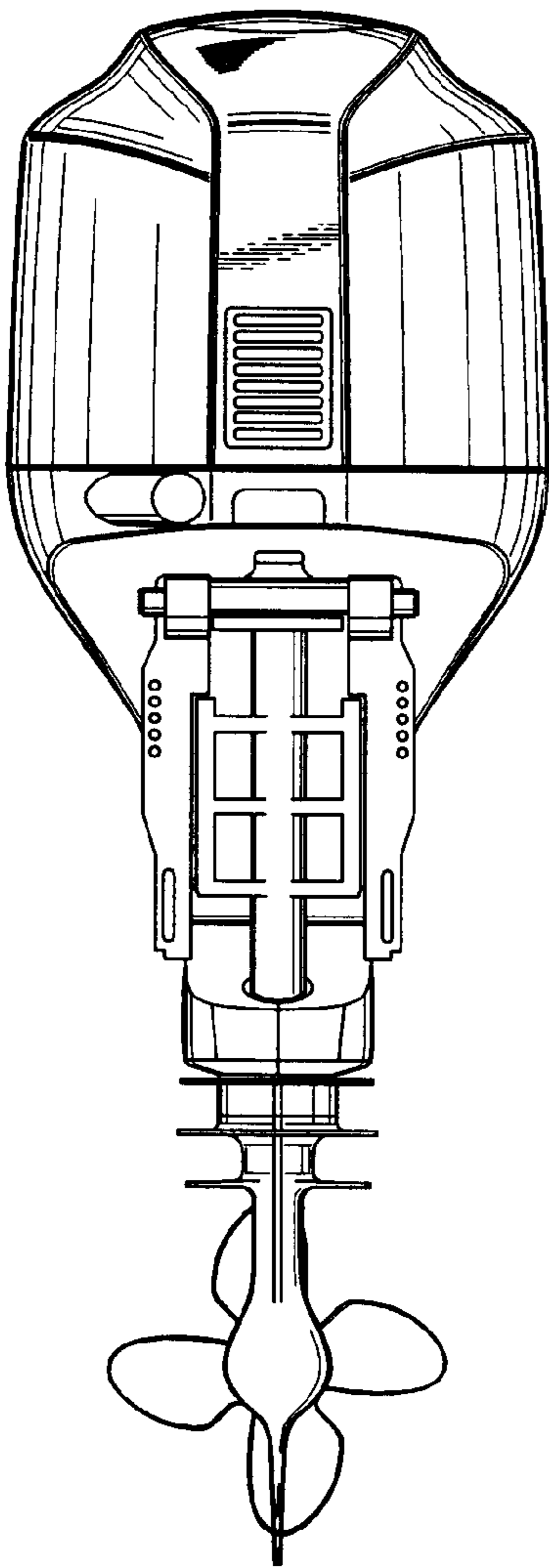


FIG.2

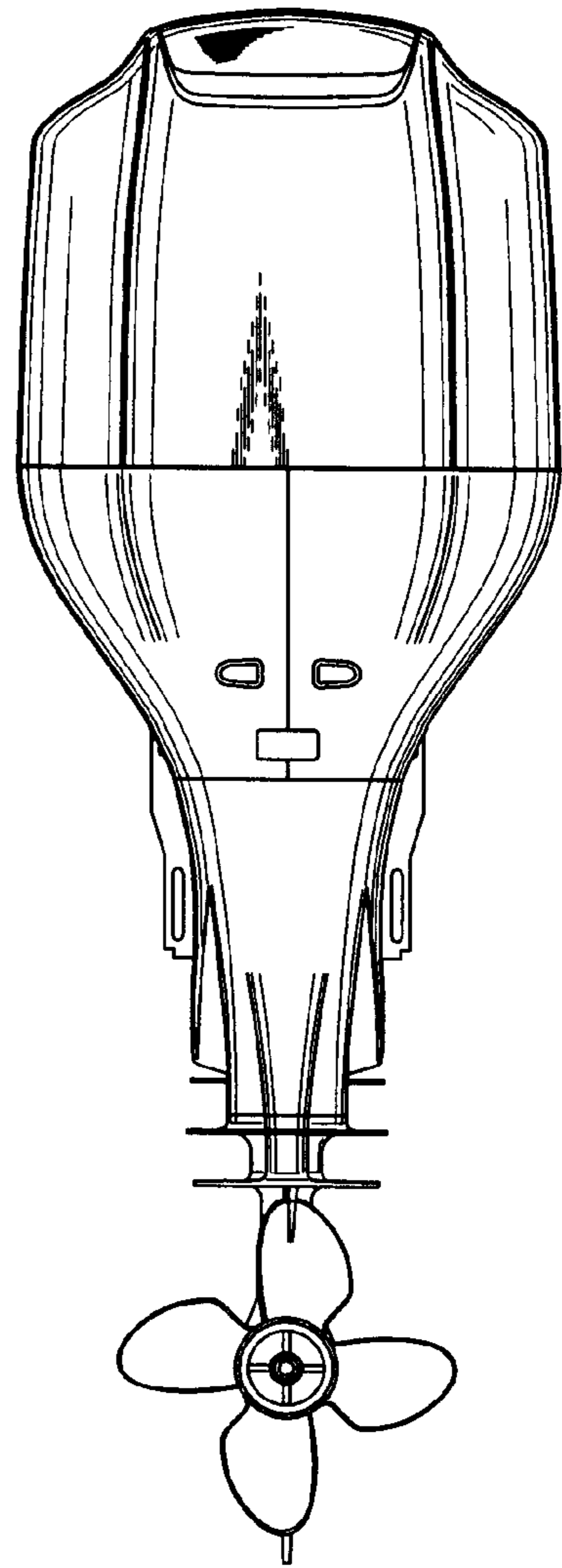


FIG.3

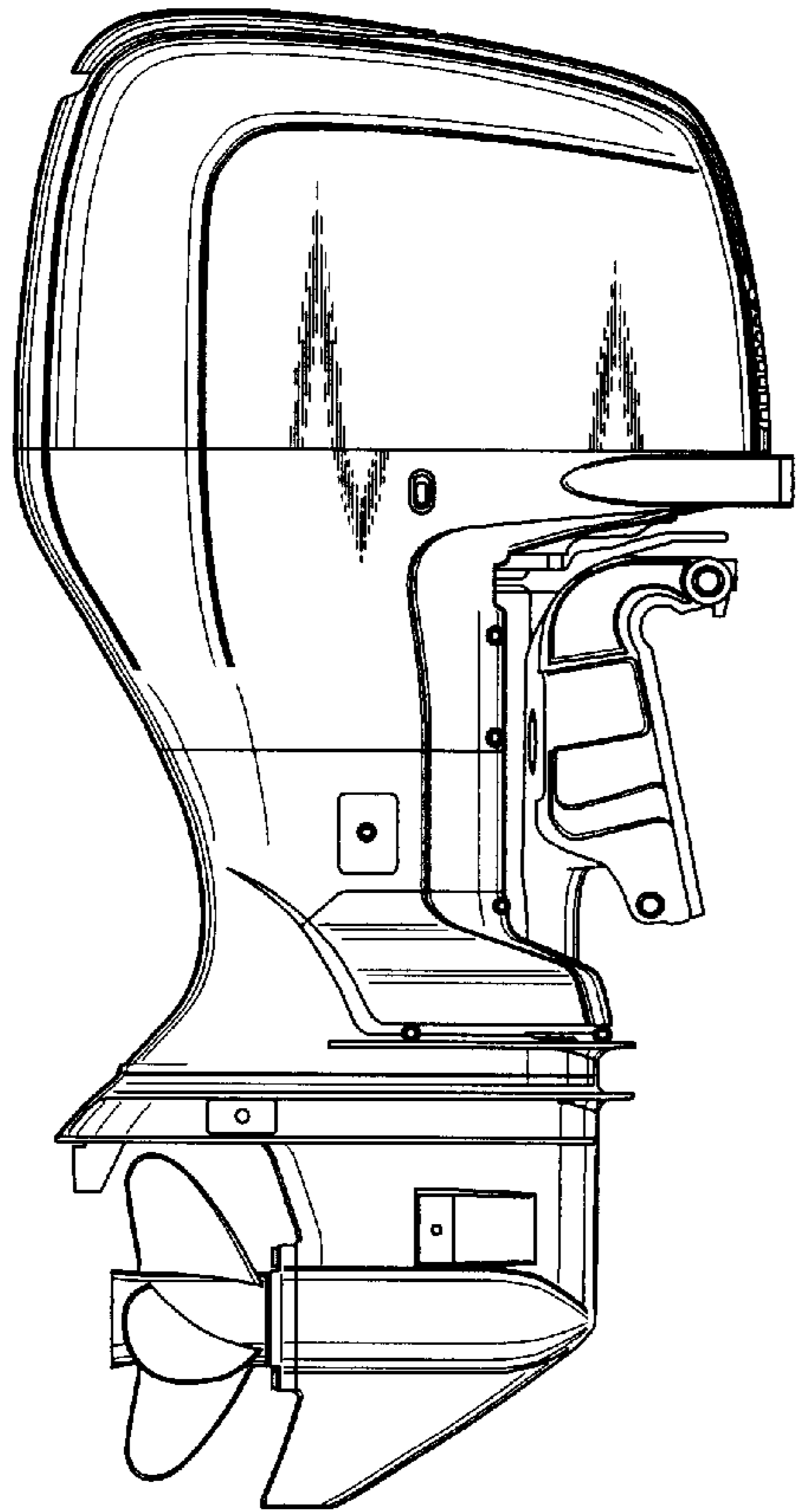


FIG.4

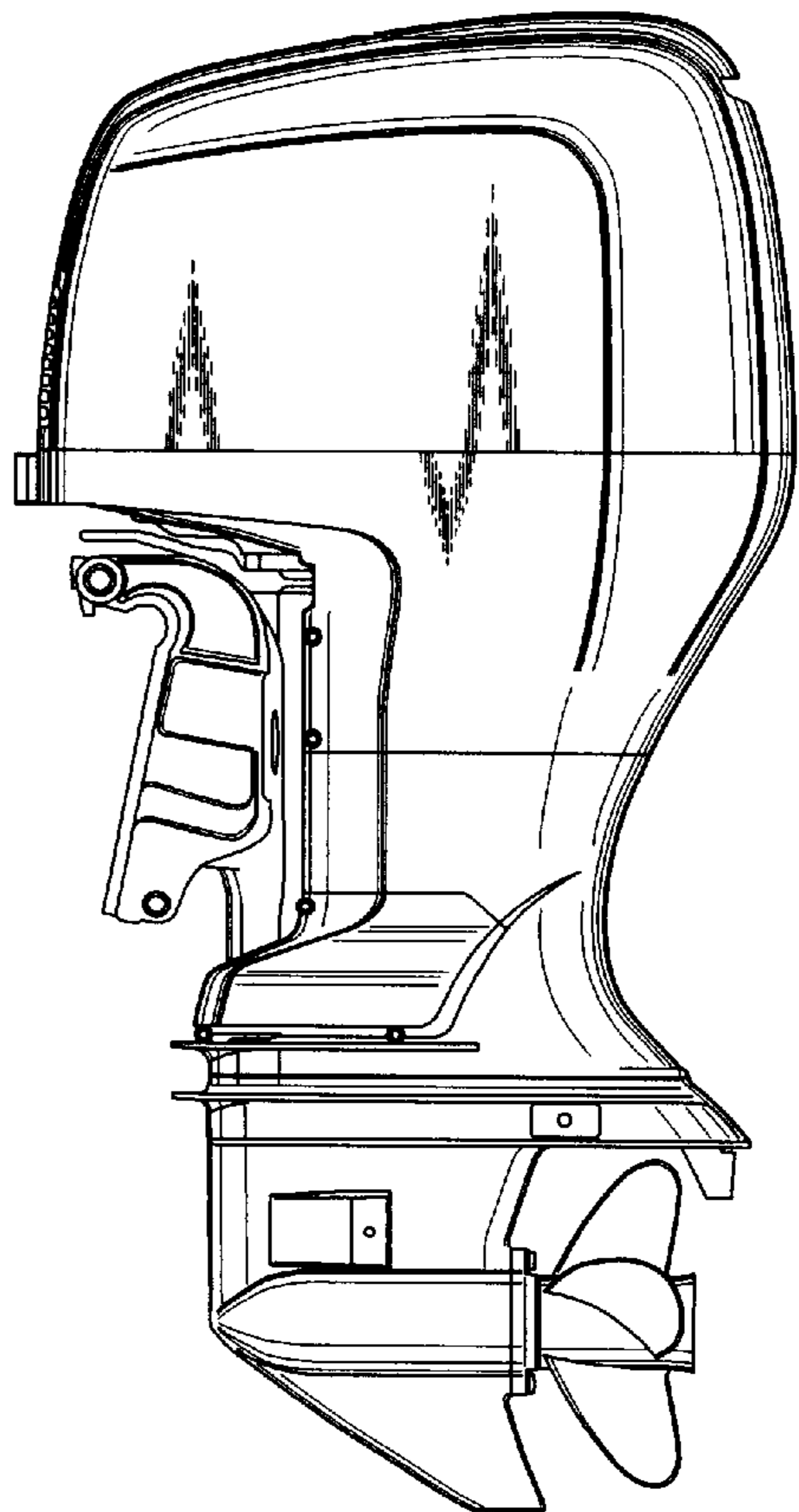


FIG.5

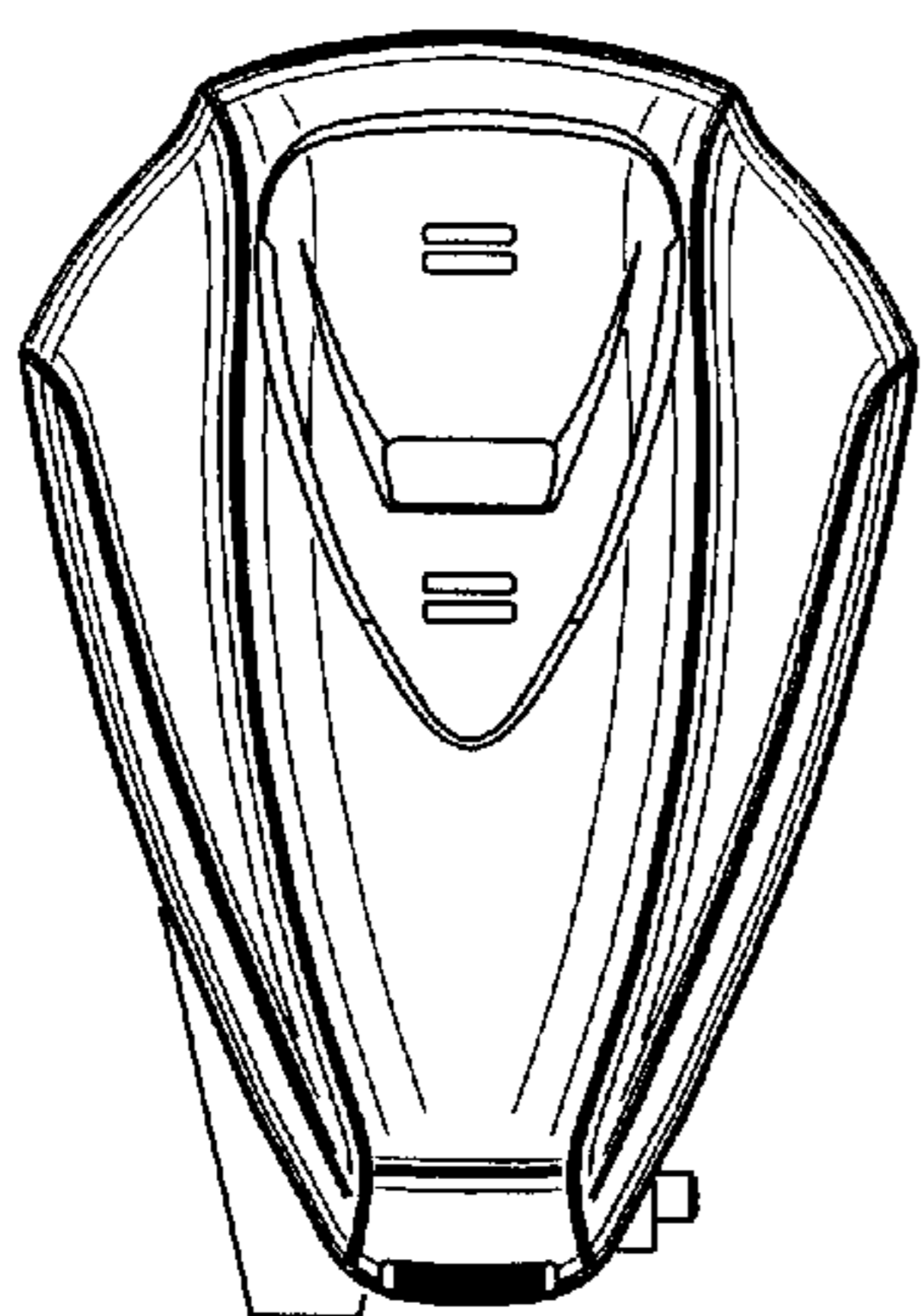


FIG.6

