



US00D463442S

(12) **United States Design Patent**  
**Dhillon**

(10) **Patent No.:** **US D463,442 S**

(45) **Date of Patent:** **\*\* Sep. 24, 2002**

(54) **COMPACT OR MINI DISK**

(75) **Inventor:** **Jasjit S. Dhillon**, Oak Brook, IL (US)

(73) **Assignee:** **Unlimited C.D., Inc.**, Lombard, IL (US)

(\*\*) **Term:** **14 Years**

(21) **Appl. No.:** **29/119,614**

(22) **Filed:** **Mar. 6, 2000**

(51) **LOC (7) Cl.** ..... **14-02**

(52) **U.S. Cl.** ..... **D14/478**

(58) **Field of Search** ..... D14/474, 478-80;  
D19/9, 10; 360/133, 135, 97.01-99.12;  
395/186; 369/273, 272, 282-8, 280, 275.1-275.5,  
291

(56) **References Cited**

**U.S. PATENT DOCUMENTS**

- 4,091,454 A \* 5/1978 Kauffman
- 4,747,093 A \* 5/1988 Benne et al.
- 4,812,633 A \* 3/1989 Vogelgesang et al.
- 5,579,296 A \* 11/1996 Smith et al.
- 5,590,114 A \* 12/1996 Murphy
- D394,648 S \* 5/1998 Rohde
- 5,852,598 A \* 12/1998 Wiest
- 5,882,555 A \* 3/1999 Rohde et al.
- 5,944,180 A \* 8/1999 Koh et al.
- 5,982,736 A \* 11/1999 Pierson
- D418,502 S \* 1/2000 Friday

- D419,151 S \* 1/2000 Koedel
- D419,152 S \* 1/2000 Lowenstein
- D421,427 S \* 3/2000 Siegel
- D426,203 S \* 6/2000 Siegel
- D429,733 S \* 8/2000 Jones et al.
- D435,853 S \* 1/2001 Mehta et al.

**OTHER PUBLICATIONS**

“Play Your Cards Right,” Hilton Guest magazine, pp. 83-85, 1999 Issue Three, published Aug. 1999, distributed internationally.

\* cited by examiner

*Primary Examiner*—M. H. Tung

(74) *Attorney, Agent, or Firm*—Law Office of Marc D. Machtinger, Ltd.

(57) **CLAIM**

The ornamental design for a compact or mini disk, as shown and described.

**DESCRIPTION**

FIG. 1 is a top plan view of a compact or mini disk showing my new design;  
FIG. 2 is a bottom plan view thereof;  
FIG. 3 is a front view thereof, the back view being identical; and,  
FIG. 4 is a right side view thereof, the left side being identical.

**1 Claim, 1 Drawing Sheet**

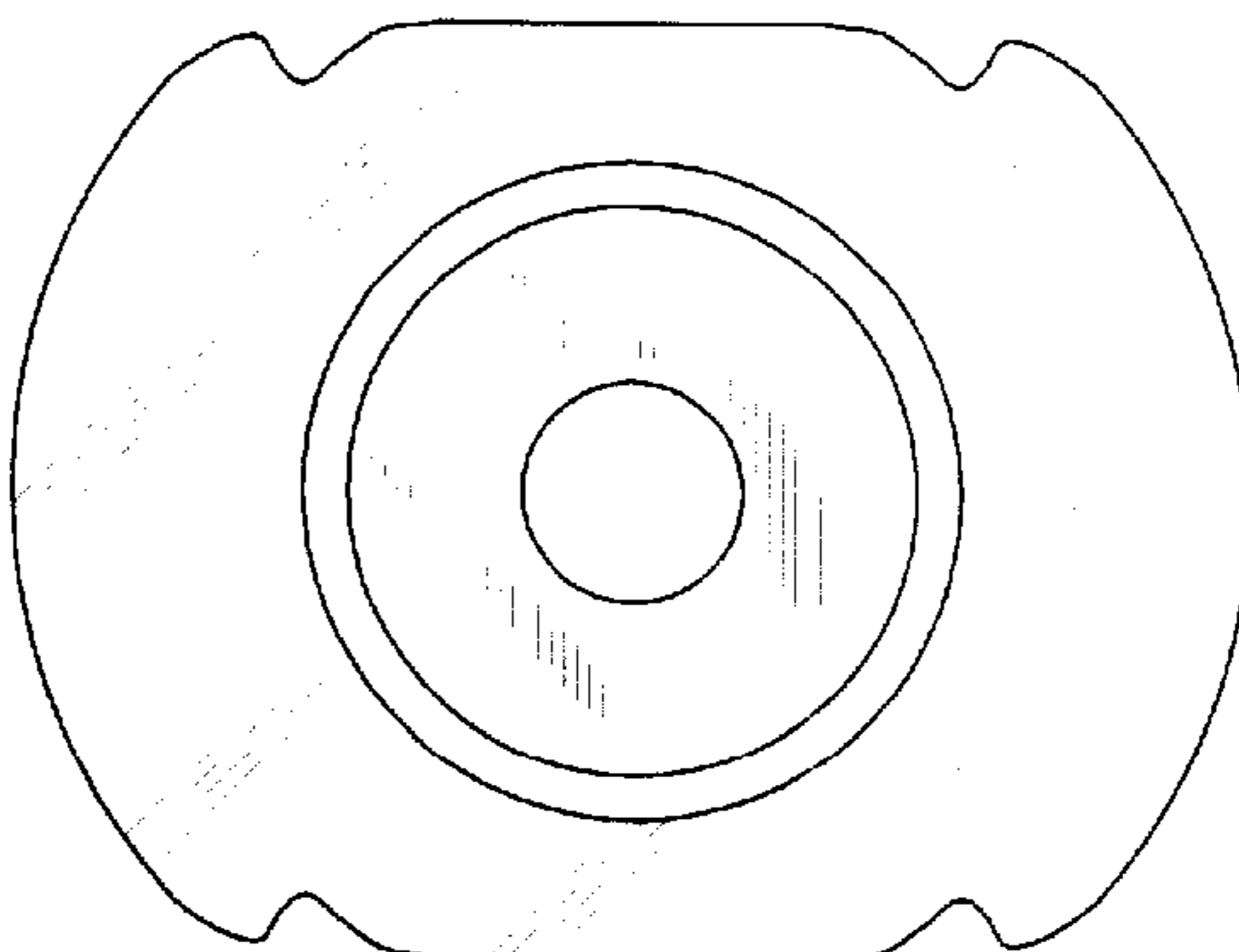
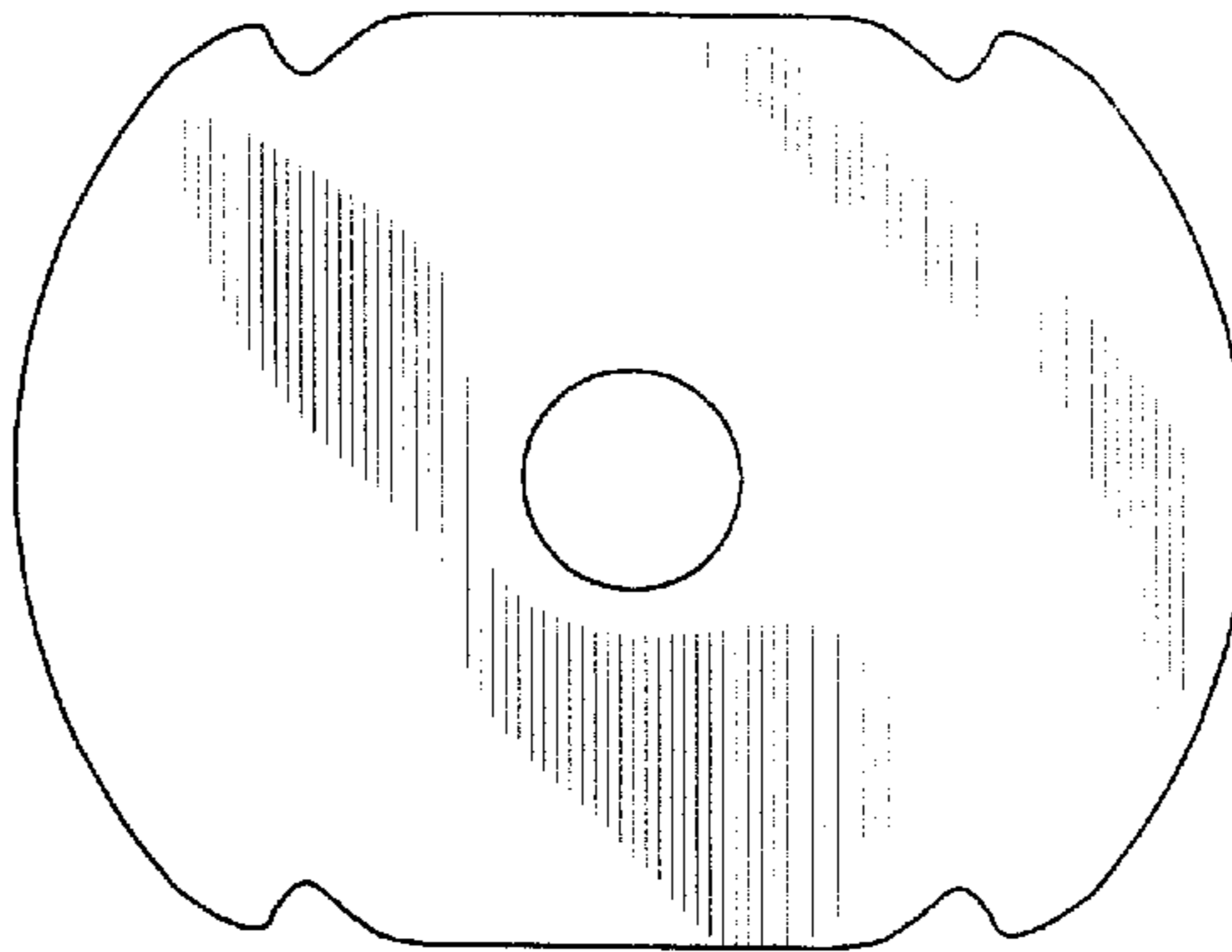


FIG. 1

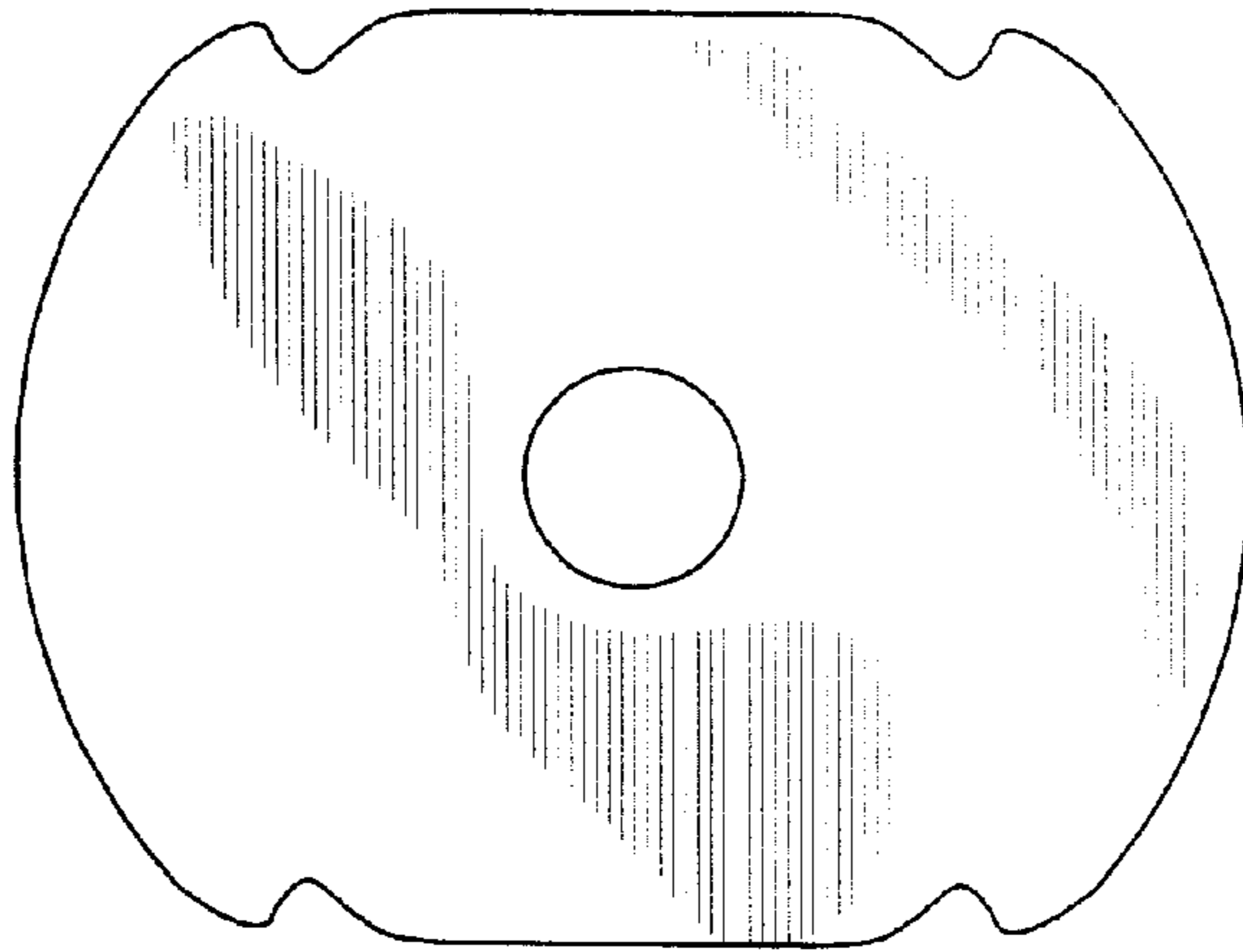


FIG. 2

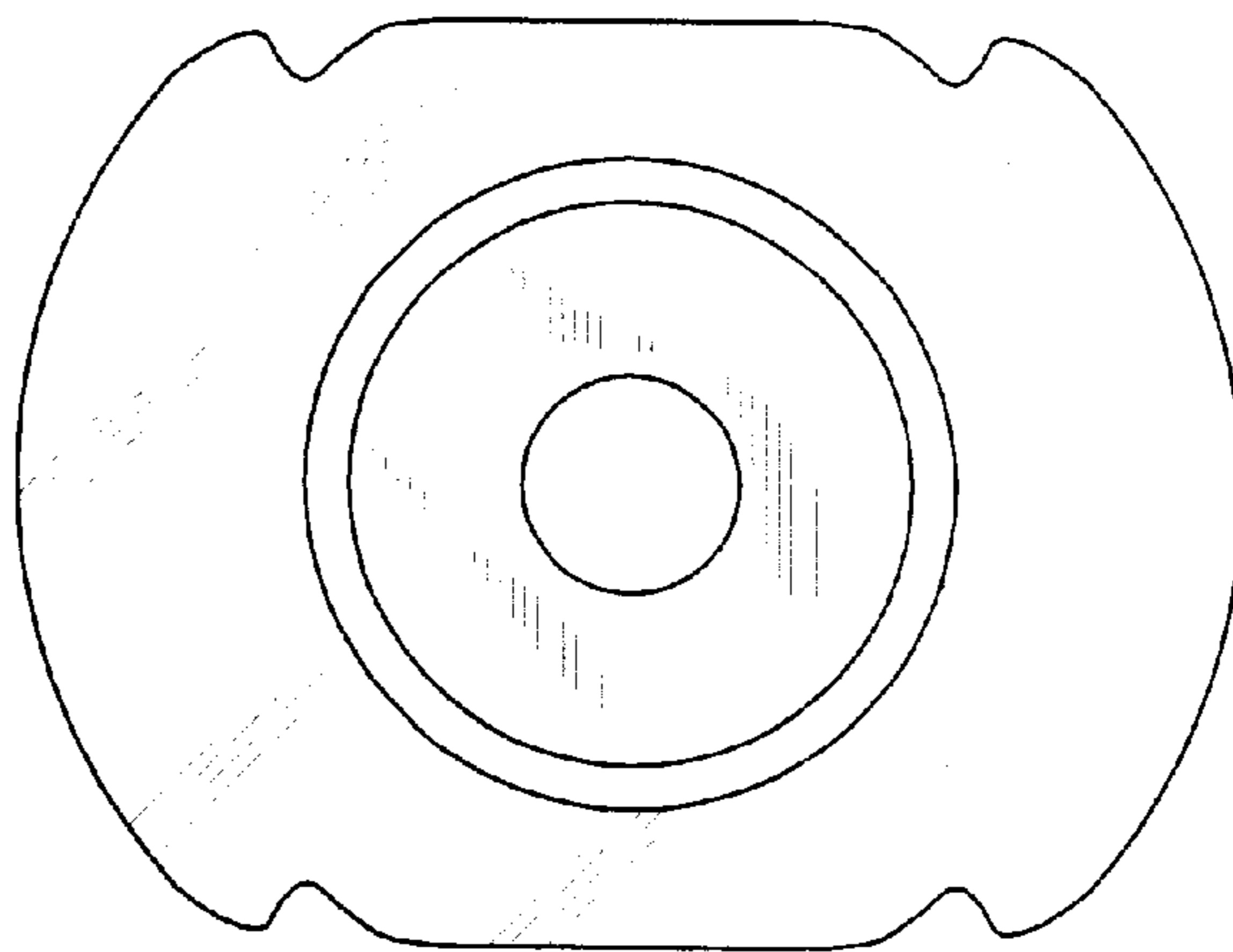


FIG. 3

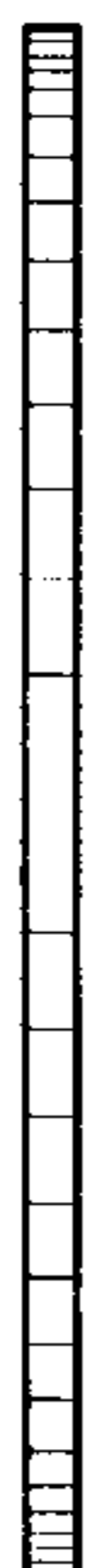


FIG. 4

