



US00D463440S

(12) **United States Design Patent**  
**Oba**

(10) **Patent No.:** **US D463,440 S**

(45) **Date of Patent:** **\*\* Sep. 24, 2002**

(54) **MONITOR STAND**

Catalog "95", 3 sheets, Jul. 2000, Sony Corporation.

(75) Inventor: **Haruo Oba**, Tokyo (JP)

\* cited by examiner

(73) Assignee: **Sony Corporation**, Tokyo (JP)

*Primary Examiner*—Kay H. Chin

(\*\*) Term: **14 Years**

(74) *Attorney, Agent, or Firm*—Rader, Fishman & Grauer, PLLC

(21) Appl. No.: **29/137,745**

(22) Filed: **Feb. 28, 2001**

(51) **LOC (7) Cl.** ..... **14-02**

(52) **U.S. Cl.** ..... **D14/451**; D14/447

(58) **Field of Search** ..... D14/439–457,  
D14/217, 239, 299, 126; 248/125.1, 127,  
133, 177.1, 178.1, 179.1, 183.1, 346.01,  
346.02, 188.2, 917–924; 200/5 R, 5 A,  
6 R, 6 A; 361/679–685; D13/184, 199

(56) **References Cited**

**U.S. PATENT DOCUMENTS**

D330,021 S	*	10/1992	Kline et al.	.....	D14/447
D358,144 S	*	5/1995	Masaaki	.....	D14/447
D444,790 S	*	7/2001	Goto	.....	D14/447
D447,486 S	*	9/2001	Goto	.....	D14/447

**OTHER PUBLICATIONS**

Catalog "New Products News", 2 sheets, Oct. 1999, Sanyo Corporation.

Catalog "Sony Vaio Personal Computer", 4 sheets, Mar. 2000, Sony Corporation.

(57) **CLAIM**

The ornamental design for a monitor stand, as shown and described.

**DESCRIPTION**

FIG. 1 is a perspective view of a monitor stand showing my new design;

FIG. 2 is a front elevational view thereof;

FIG. 3 is a rear elevational view thereof;

FIG. 4 is a left side elevational view thereof;

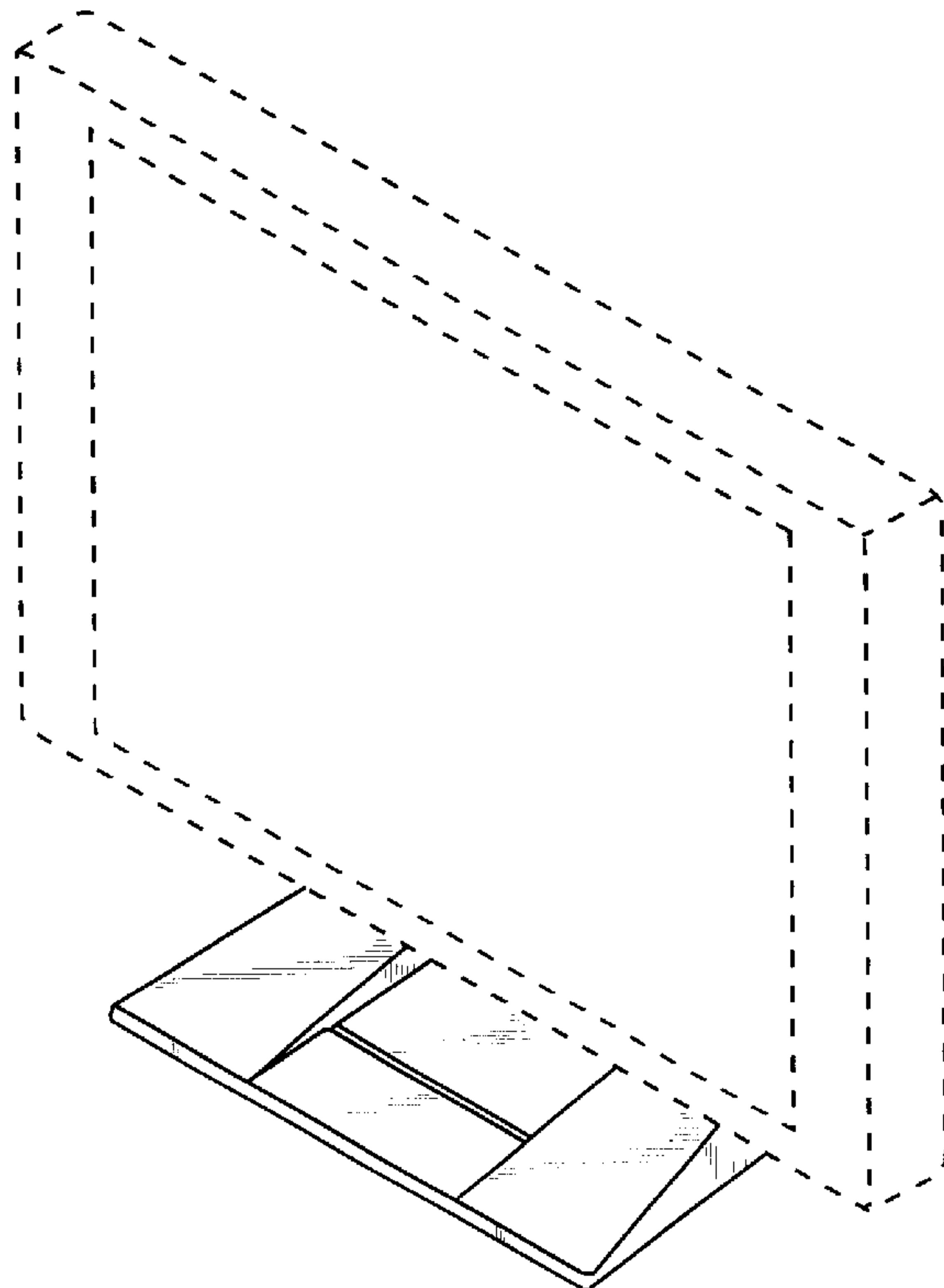
FIG. 5 is a right side elevational view thereof;

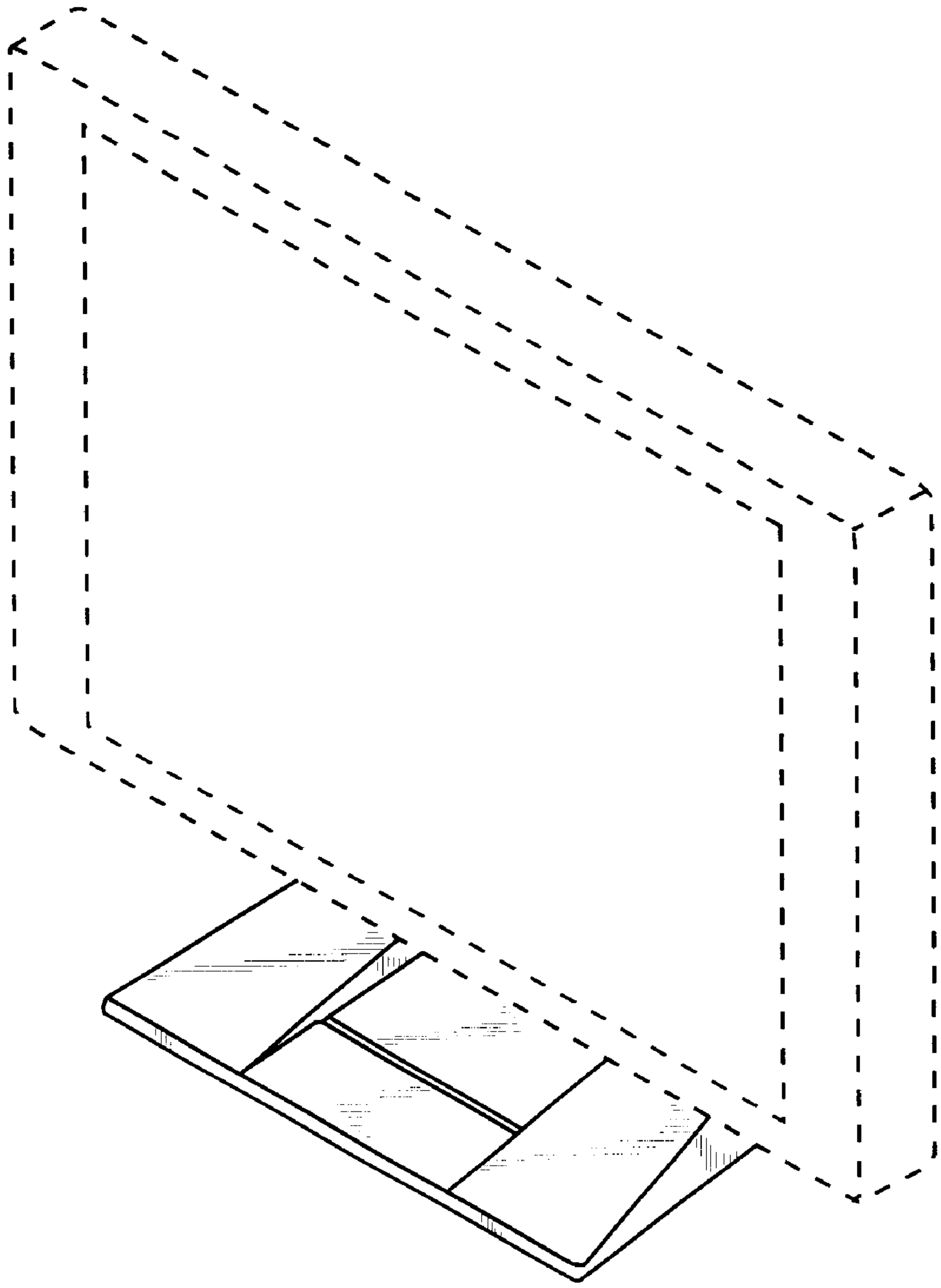
FIG. 6 is a bottom plan view thereof; and,

FIG. 7 is a bottom plan view thereof.

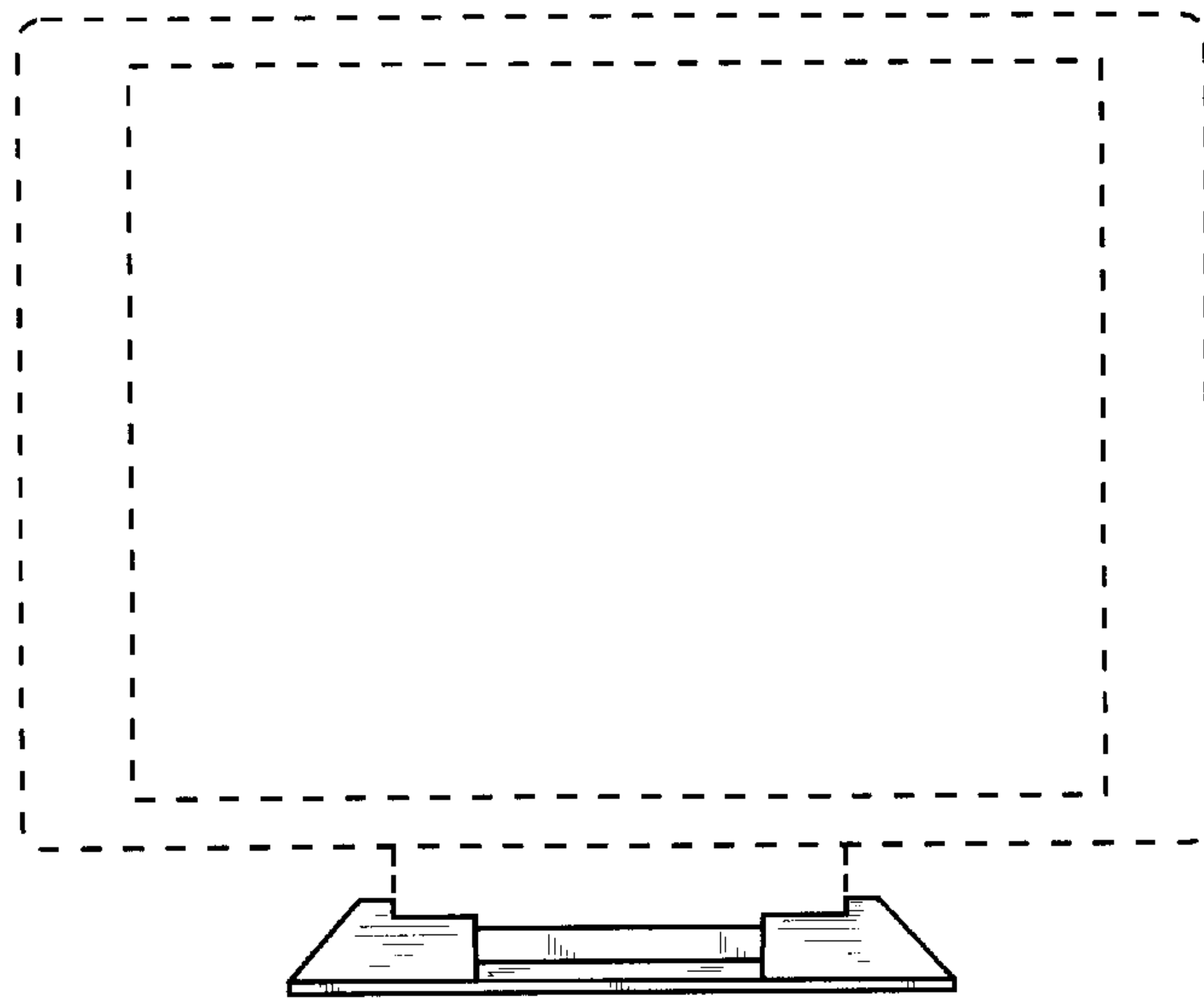
Portions in broken lines are for illustrative purposes only and form no part of the claimed design.

**1 Claim, 4 Drawing Sheets**

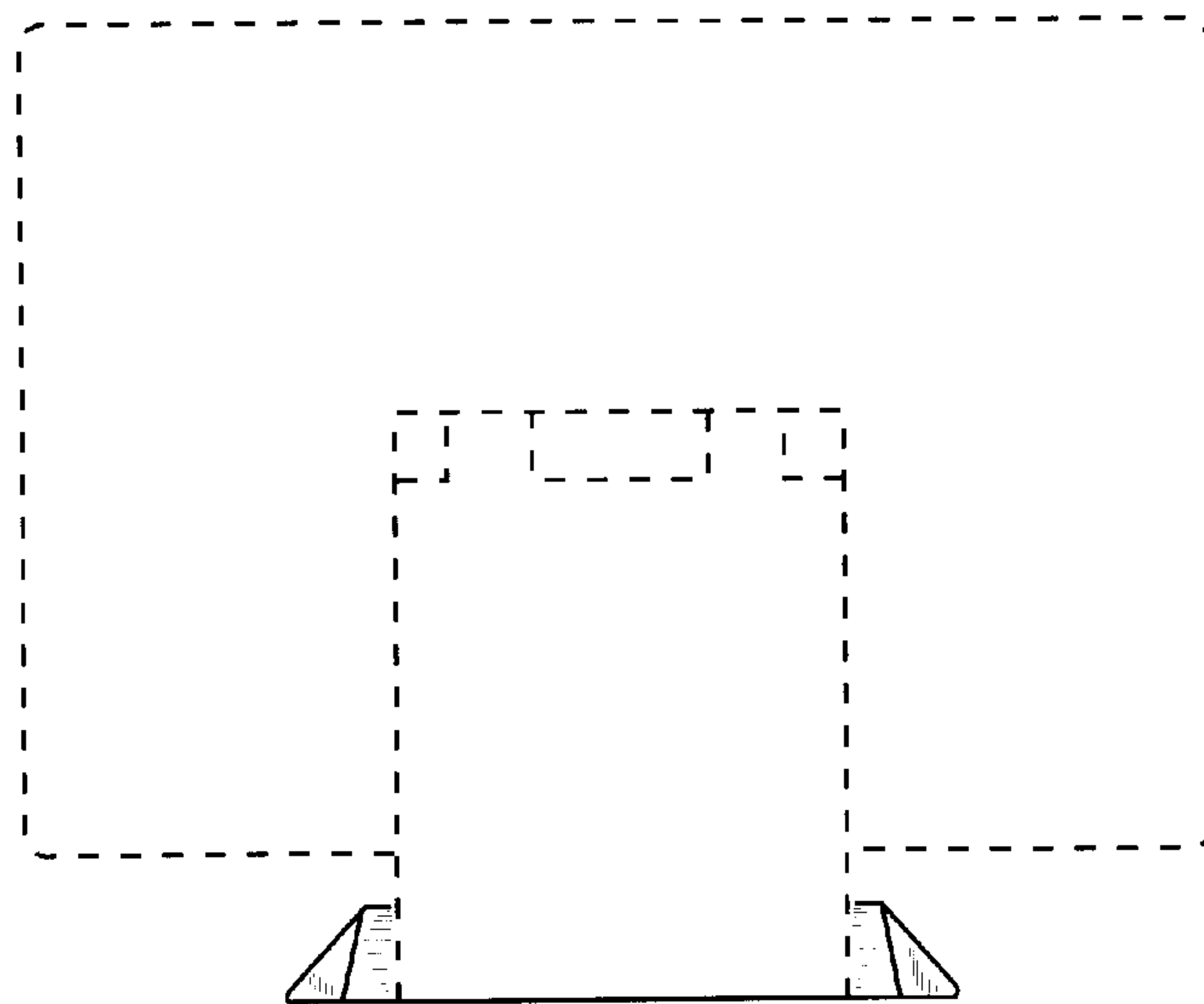




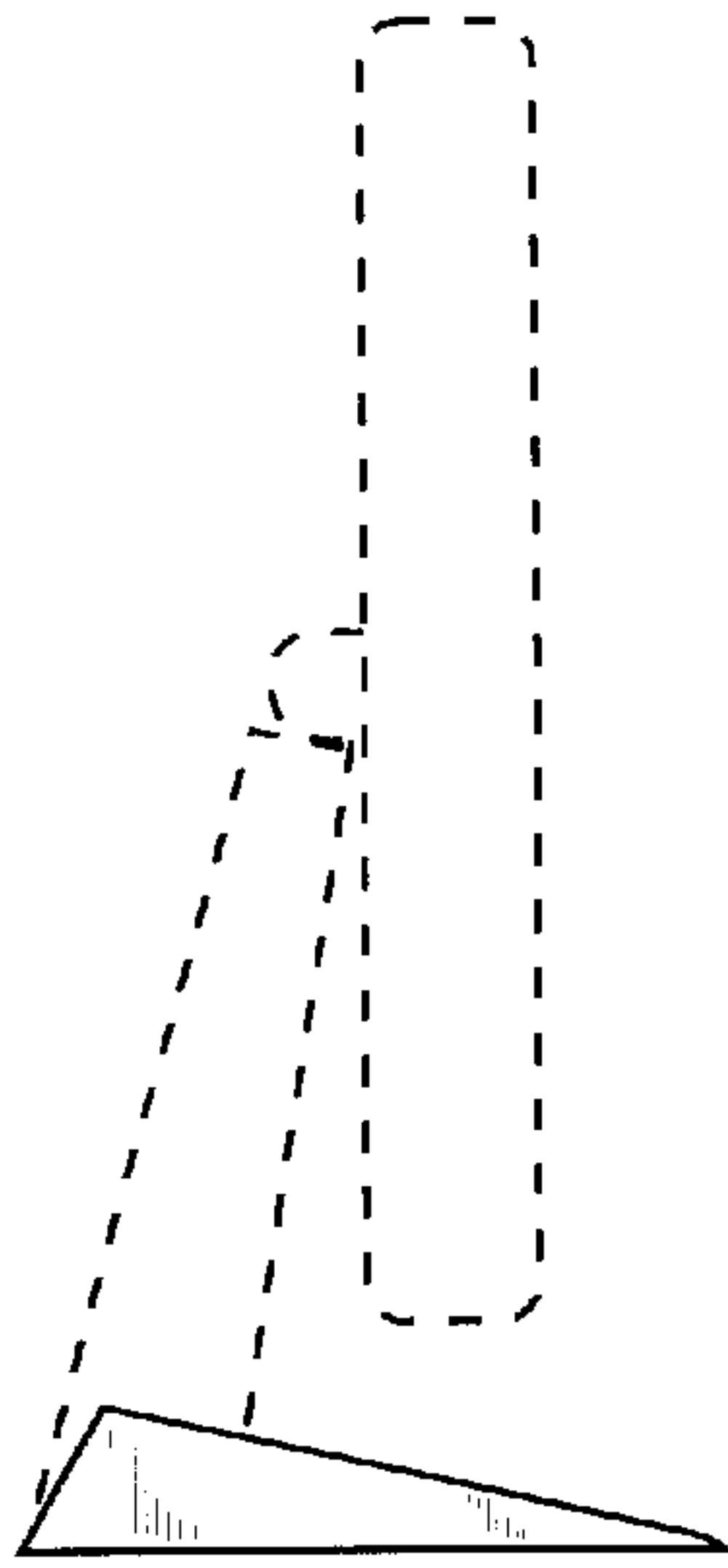
**Fig. 1**



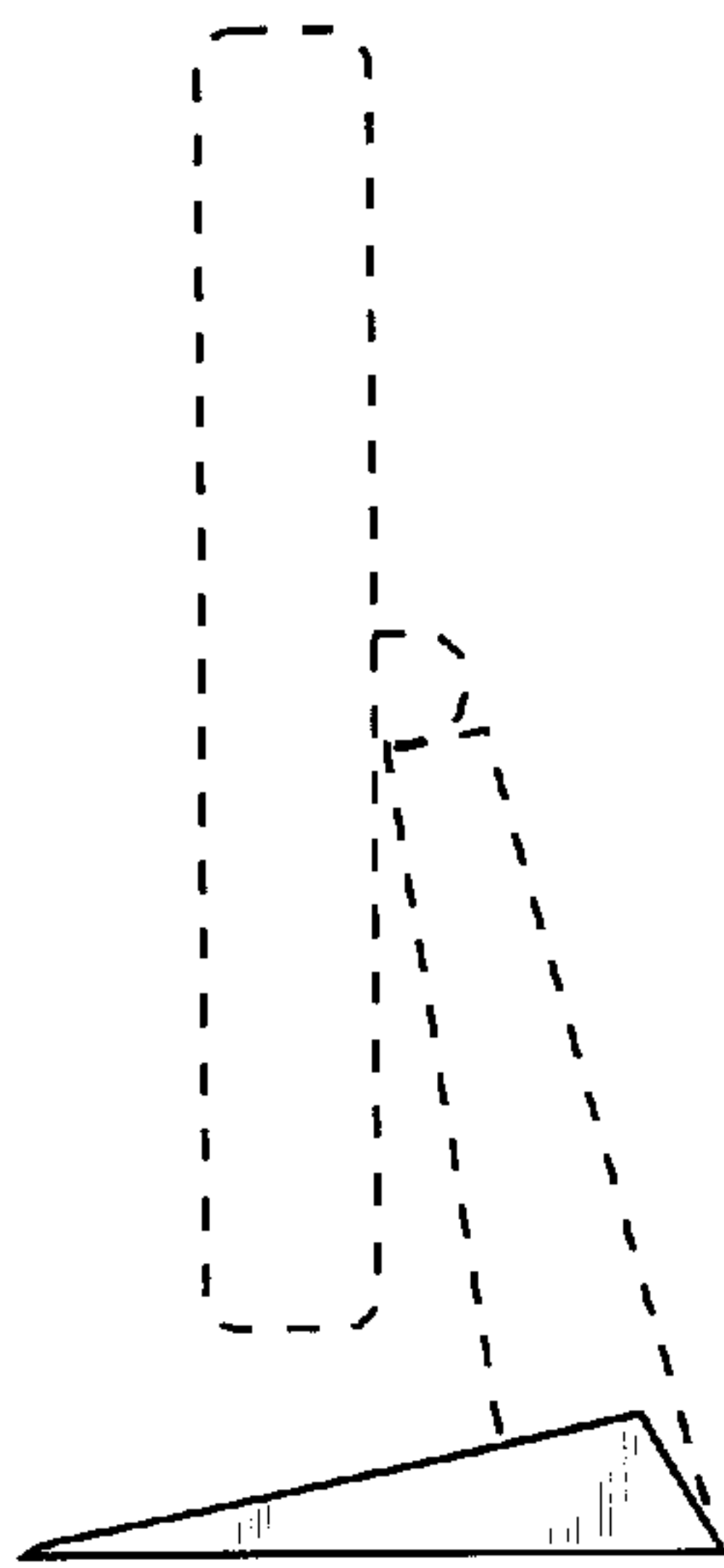
**Fig. 2**



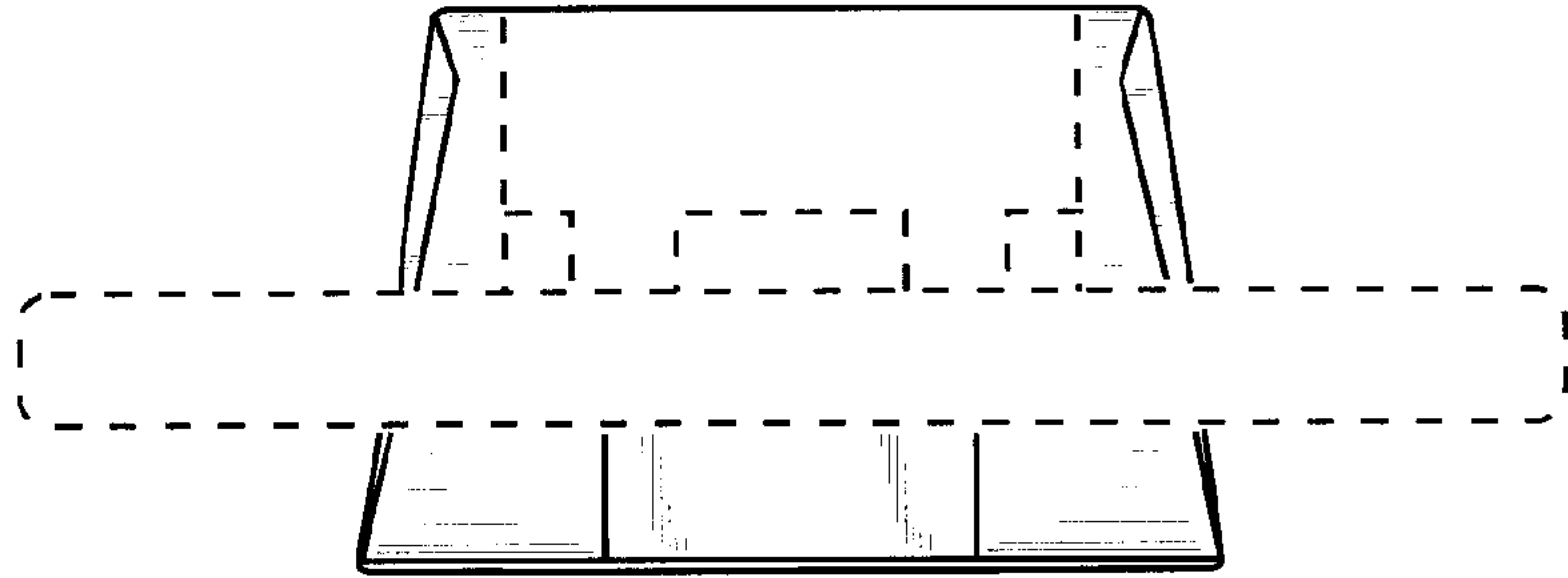
**Fig. 3**



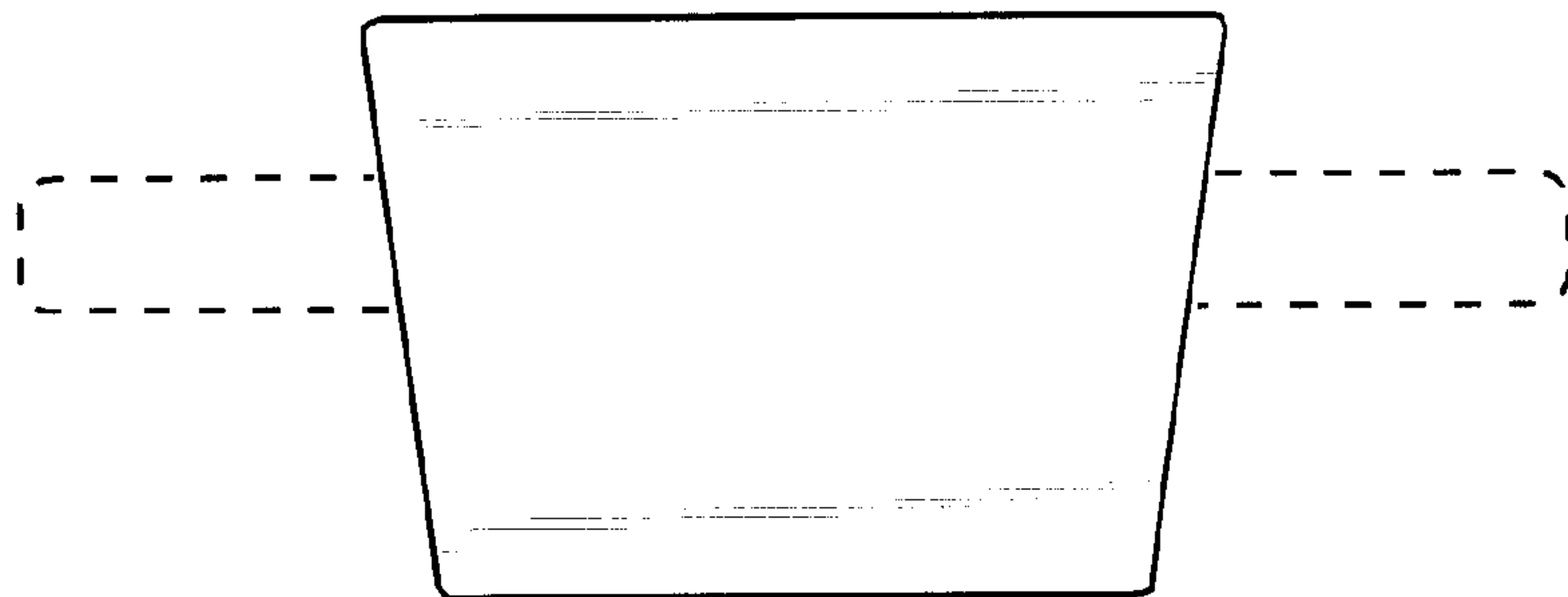
**Fig. 4**



**Fig. 5**



**Fig. 6**



**Fig. 7**