

US00D463439S

(12) **United States Design Patent**
Olivo

(10) **Patent No.:** **US D463,439 S**

(45) **Date of Patent:** **** Sep. 24, 2002**

(54) **WORKSTATION ORGANIZER**

D451,519 S * 12/2001 Svanberg D14/457

(76) Inventor: **Nello Olivo**, 3828 Fairway Dr.,
Cameron Park, CA (US) 95682

* cited by examiner

(**) Term: **14 Years**

Primary Examiner—Kay H. Chin

(74) *Attorney, Agent, or Firm*—John P. Costello

(21) Appl. No.: **29/130,919**

(57) **CLAIM**

(22) Filed: **Oct. 12, 2000**

The ornamental design for a workstation organizer, as shown.

(51) **LOC (7) Cl.** **14-02**

DESCRIPTION

(52) **U.S. Cl.** **D14/448**

(58) **Field of Search** D14/432, 439,
D14/447, 448, 451, 454, 457; D18/12;
248/918-924, 447.2, 447, 452, 447.1, 451,
118.1, 442.2

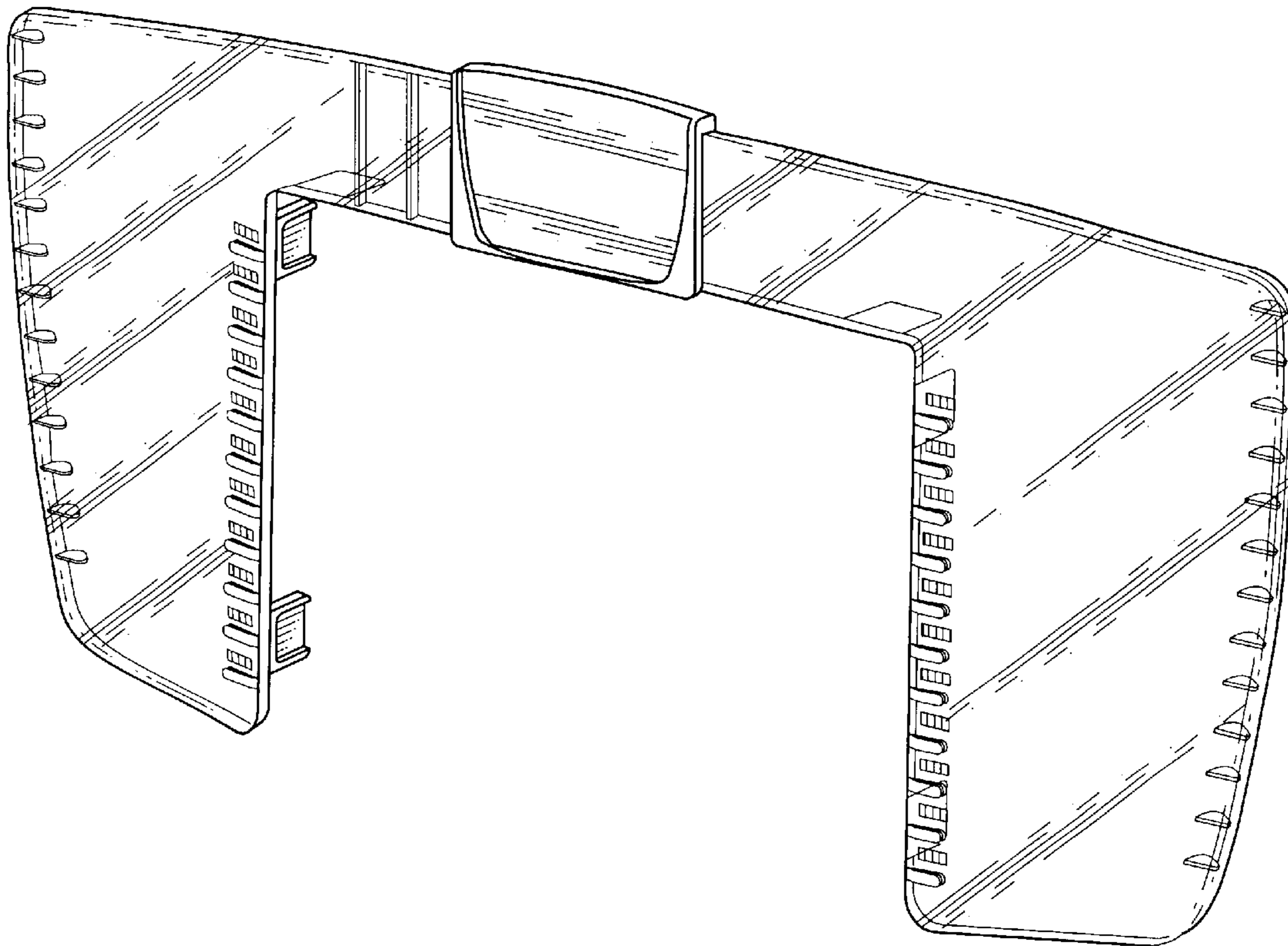
FIG. 1 is a front perspective view of the workstation organizer showing my new design; FIG. 2 is a front elevation view thereof; FIG. 3 is a top plan view thereof; FIG. 4 is a rear elevation view thereof; FIG. 5 is a bottom plan view thereof; FIG. 6 is a left side view thereof; and, FIG. 7 is a right side view thereof.

(56) **References Cited**

U.S. PATENT DOCUMENTS

5,240,210 A * 8/1993 Honto, Jr. et al. 248/118.1
5,988,582 A * 11/1999 Olivo 248/442.2

1 Claim, 2 Drawing Sheets



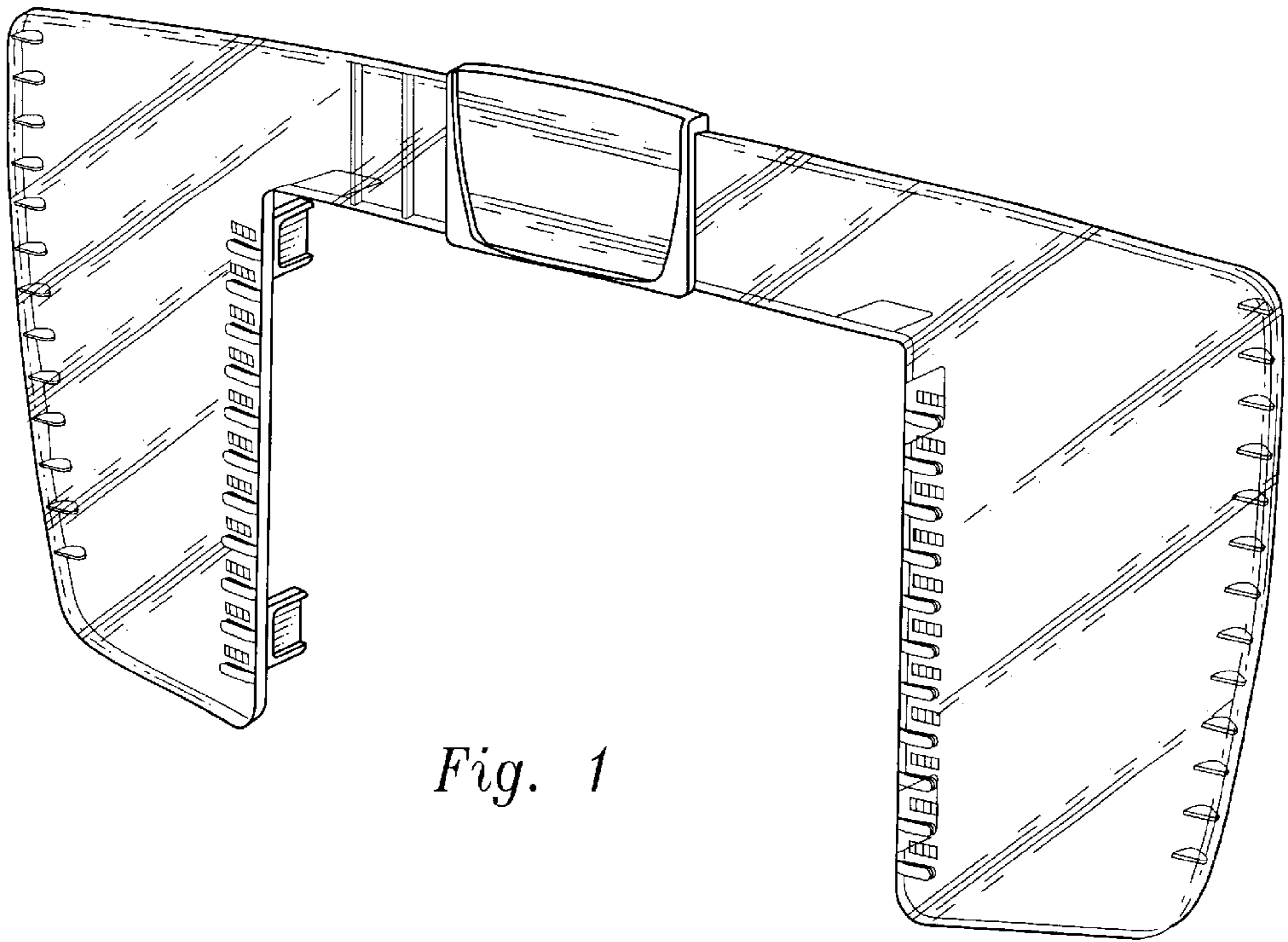


Fig. 1

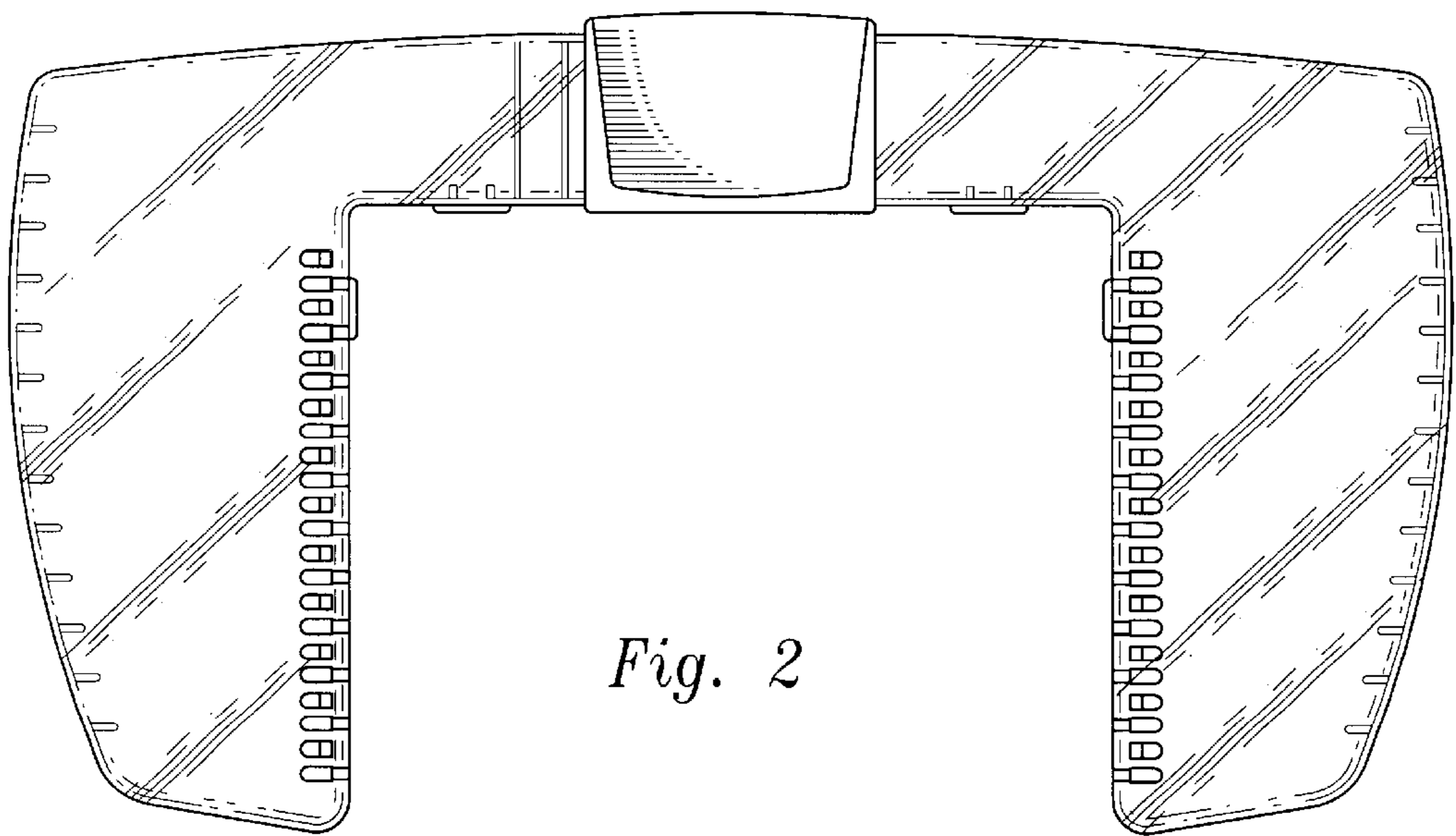


Fig. 2

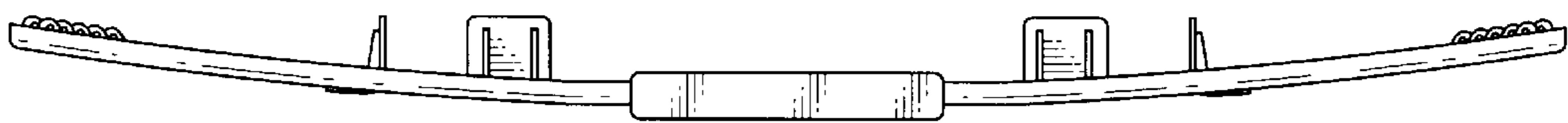


Fig. 3

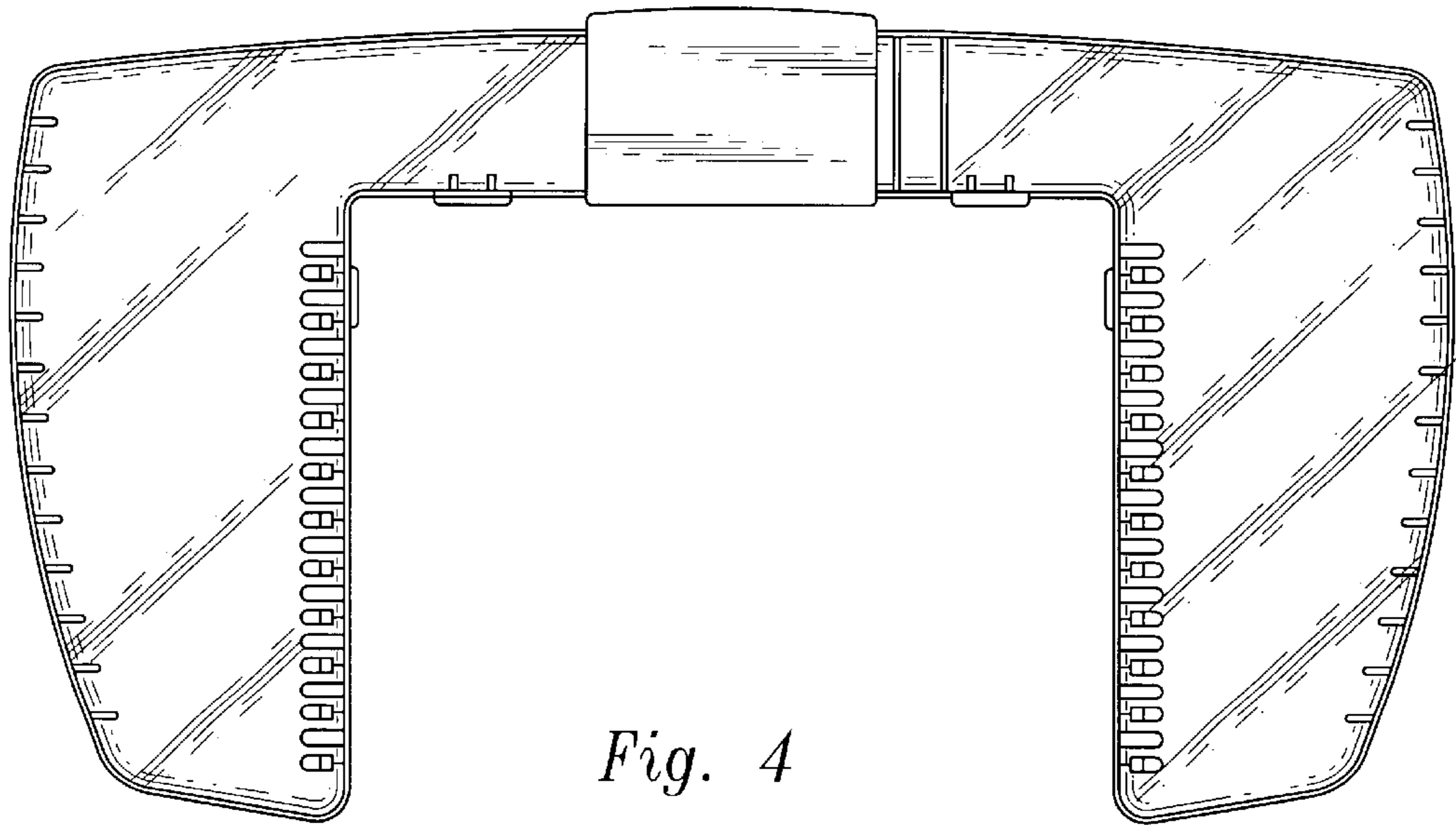


Fig. 4

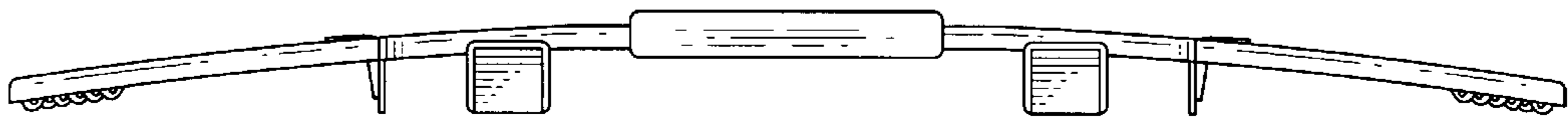


Fig. 5

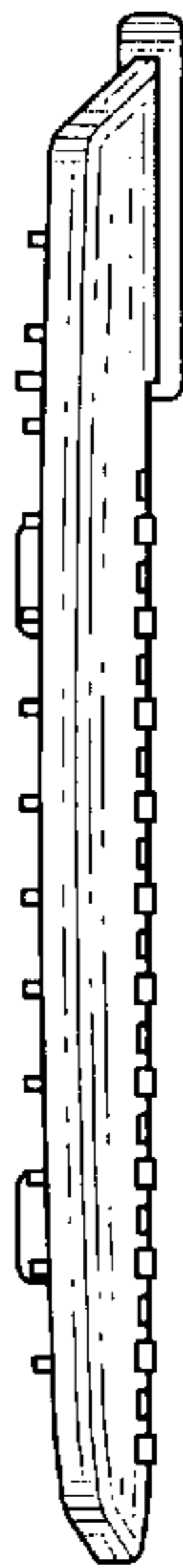


Fig. 6

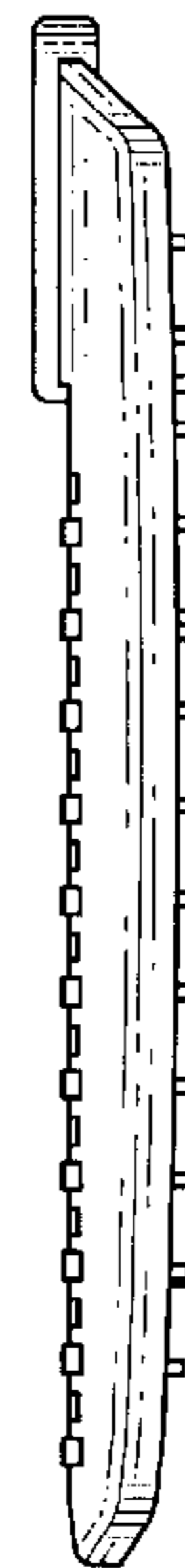


Fig. 7