



US00D463430S

(12) **United States Design Patent**  
**Goto**

(10) **Patent No.:** **US D463,430 S**

(45) **Date of Patent:** **\*\* Sep. 24, 2002**

(54) **MONITOR DISPLAY**

JP 1075596 6/2000

(75) Inventor: **Teiyu Goto**, Tokyo (JP)

\* cited by examiner

(73) Assignee: **Sony Computer Entertainment Inc.**,  
Tokyo (JP)

*Primary Examiner*—Freda Nunn  
(74) *Attorney, Agent, or Firm*—Rader, Fishman & Grauer,  
PLLC

(\*\*) Term: **14 Years**

(57) **CLAIM**

(21) Appl. No.: **29/146,034**

The ornamental design for a monitor display, as shown and described.

(22) Filed: **Aug. 3, 2001**

(30) **Foreign Application Priority Data**

**DESCRIPTION**

May 11, 2001 (JP) ..... 2001-013569

FIG. 1 is a front elevational view of a monitor display showing my new design;

(51) **LOC (7) Cl.** ..... **14-02**

FIG. 2 is a rear elevational view thereof;

(52) **U.S. Cl.** ..... **D14/374**

FIG. 3 is a left side elevational view thereof;

(58) **Field of Search** ..... D14/371, 374,  
D14/375, 376, 356, 378, 125-129; 345/104,  
156, 168, 173; 348/180, 184, 325, 739;  
248/917-924; 349/1, 2, 11, 62

FIG. 4 is a right side elevational view thereof;

FIG. 5 is a top plan view thereof;

FIG. 6 is a bottom plan view thereof; and

FIG. 7 is a reduced perspective view thereof; and,

(56) **References Cited**

FIG. 8 is a front elevational view of another embodiment of a monitor display showing my new design. The rest of the view thereof is the same as those of the embodiment of FIG. 1, except for a perspective view thereof.

**U.S. PATENT DOCUMENTS**

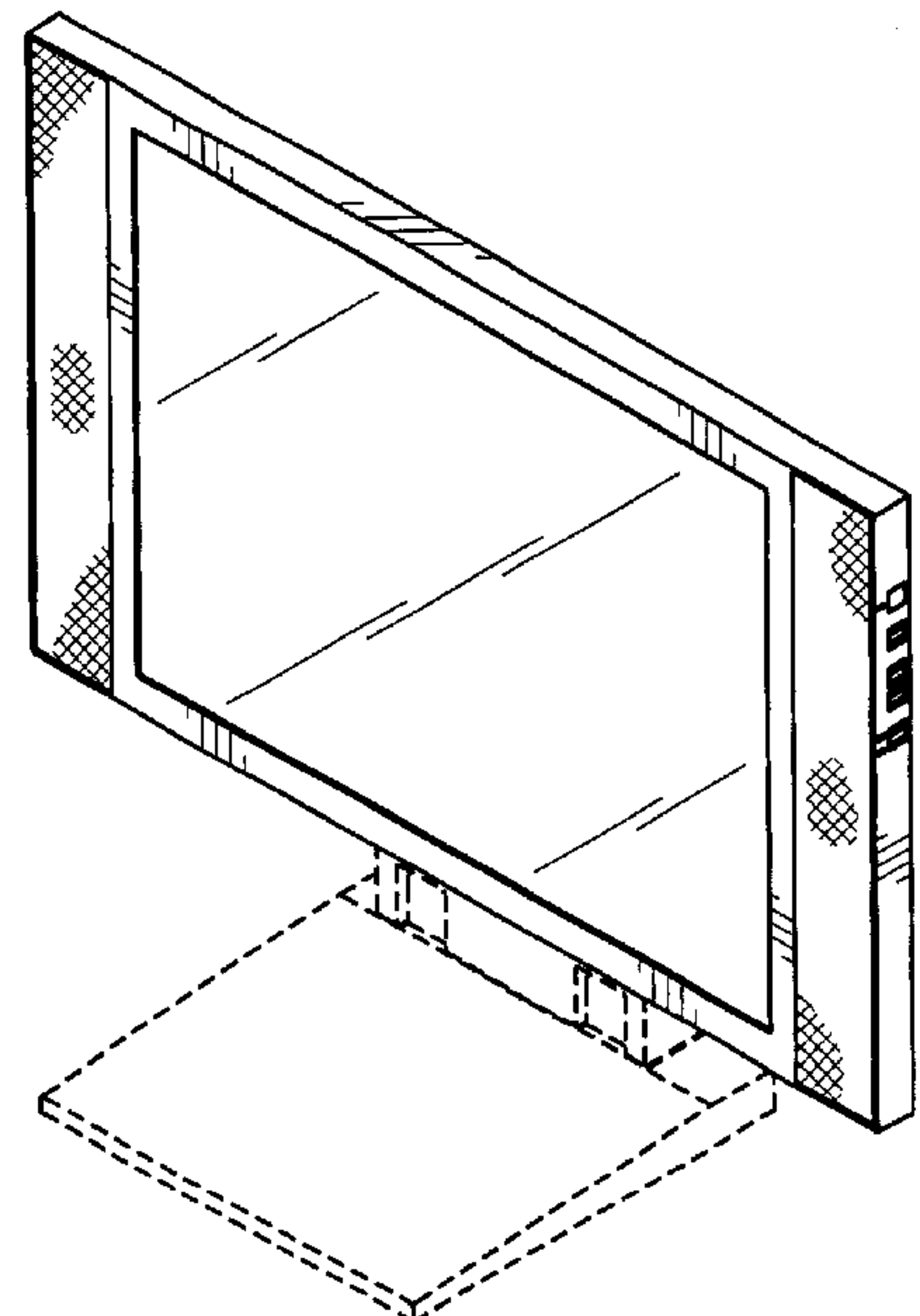
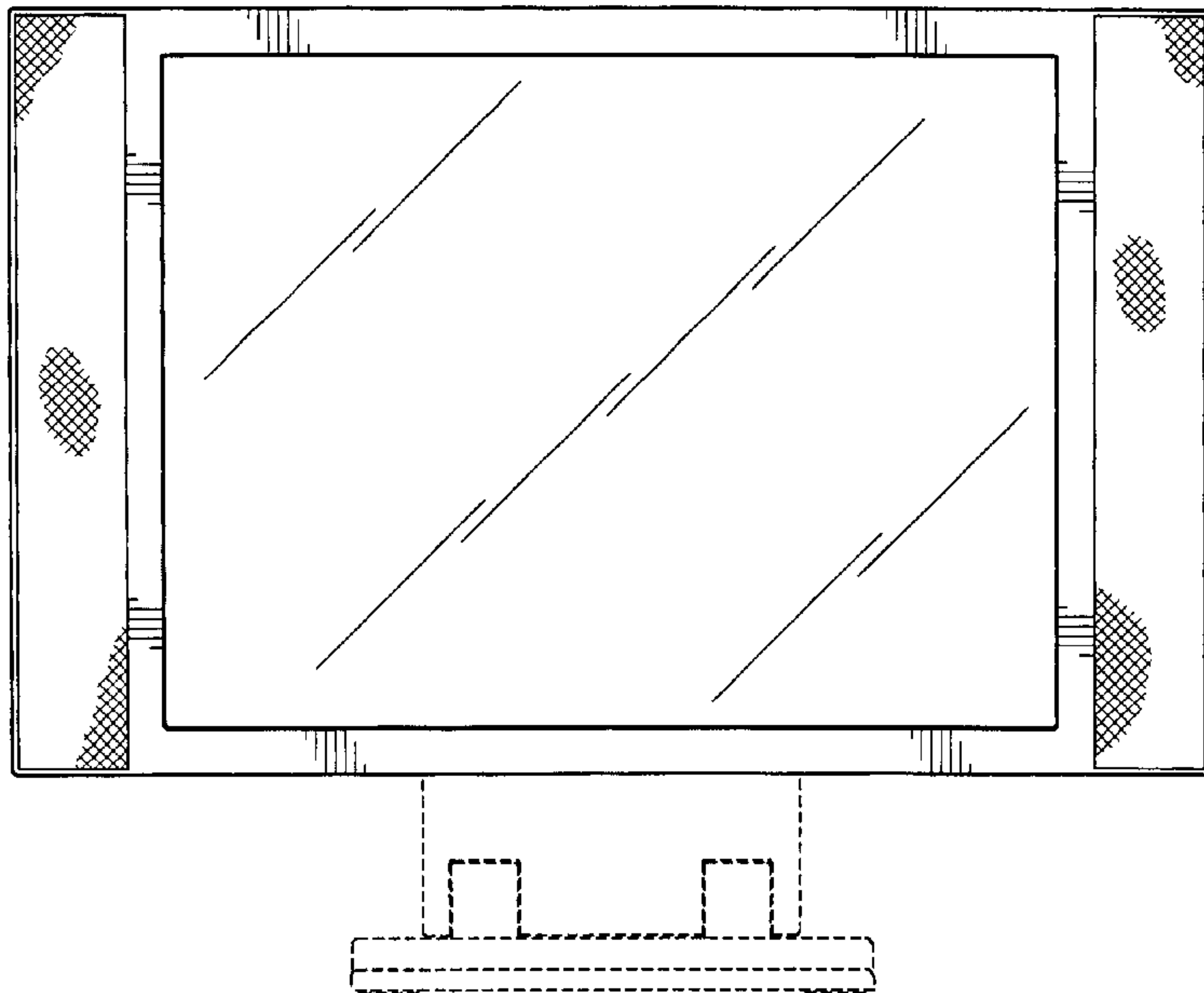
Portions in broken lines are for illustrative purposes only and form no part of the claimed design.

D417,659 S \* 12/1999 Takemasa ..... D14/374  
D424,033 S \* 5/2000 Hus ..... D14/374  
D433,021 S \* 10/2000 Shibata ..... D14/356

**FOREIGN PATENT DOCUMENTS**

JP 1003542 2/1998

**1 Claim, 4 Drawing Sheets**



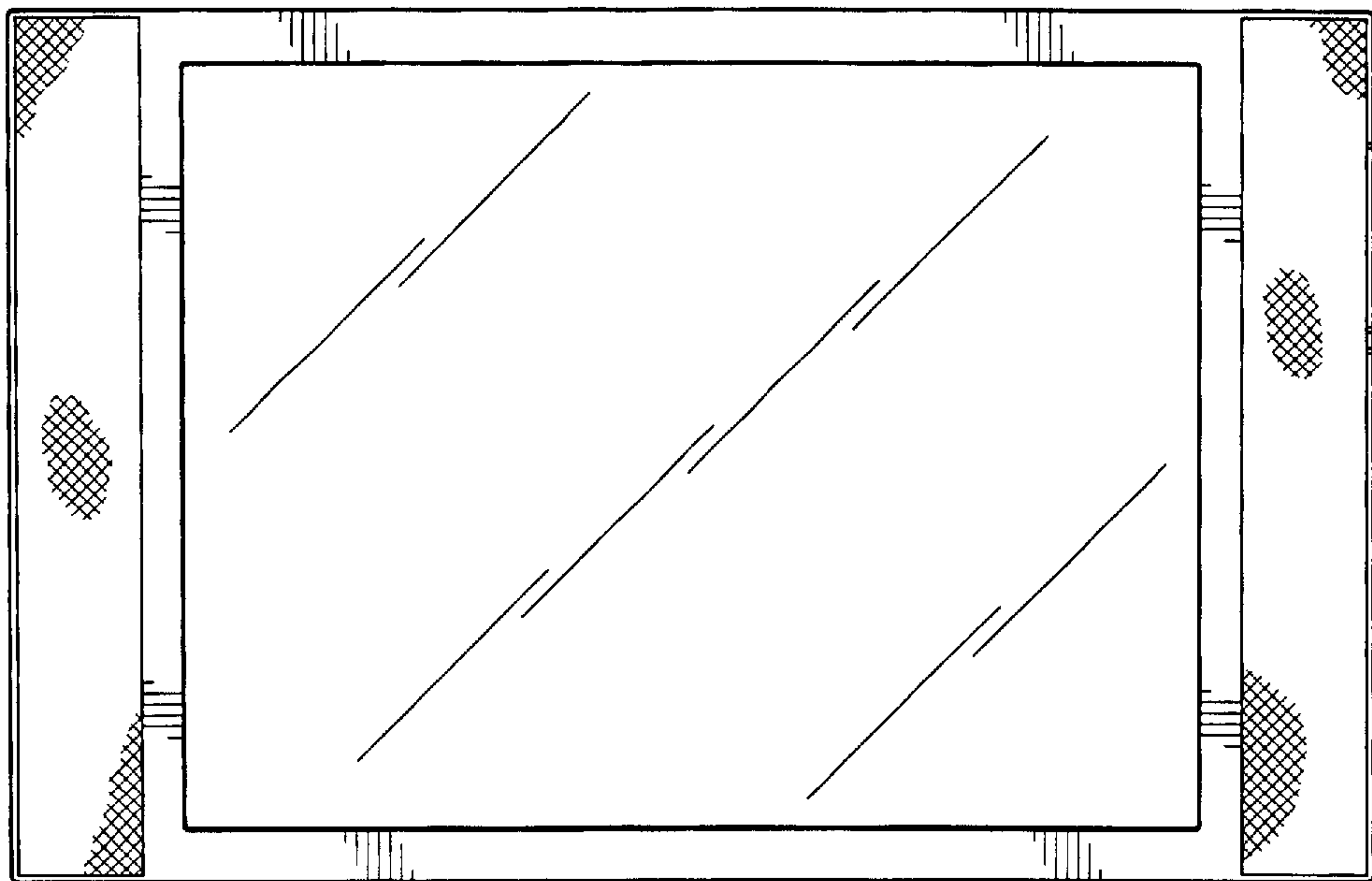


FIG. 1

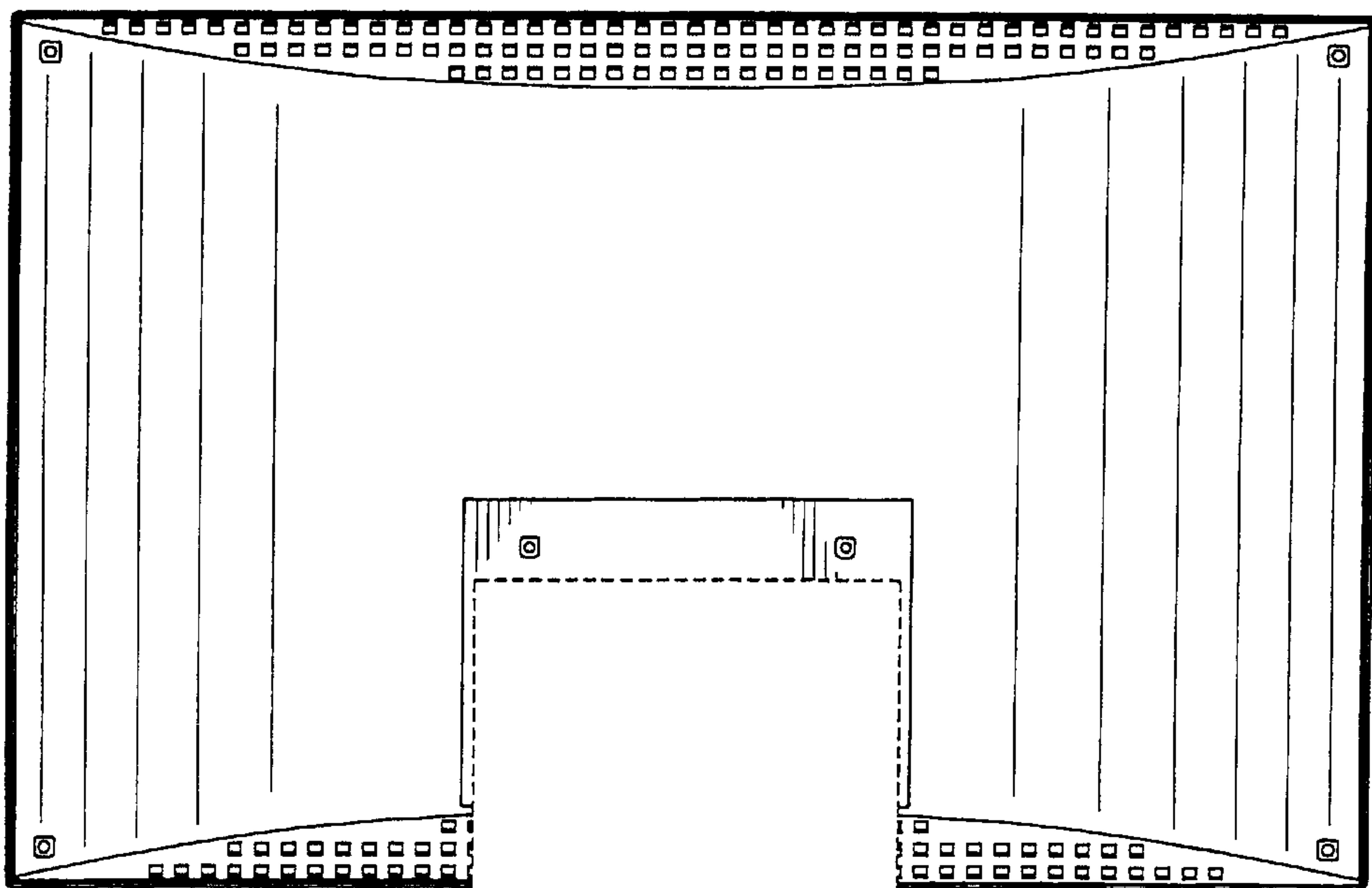
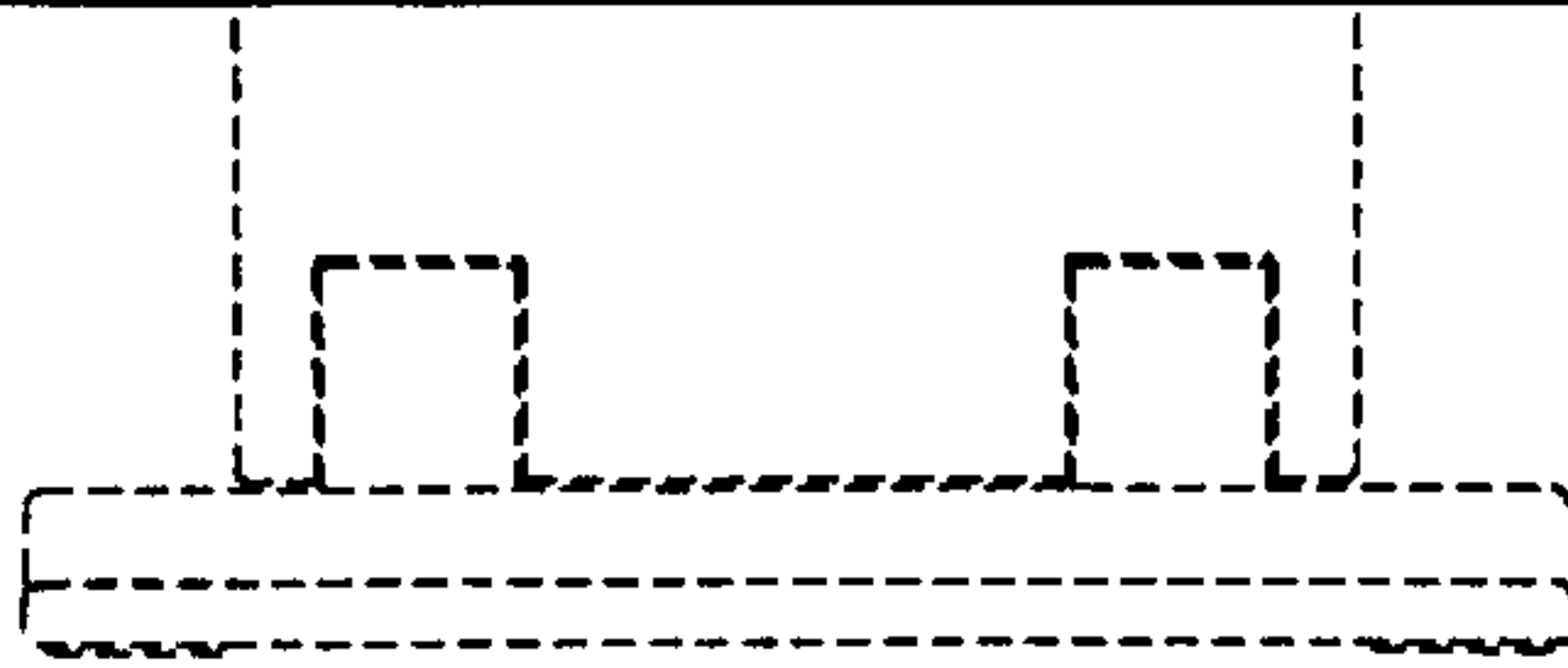


FIG. 2

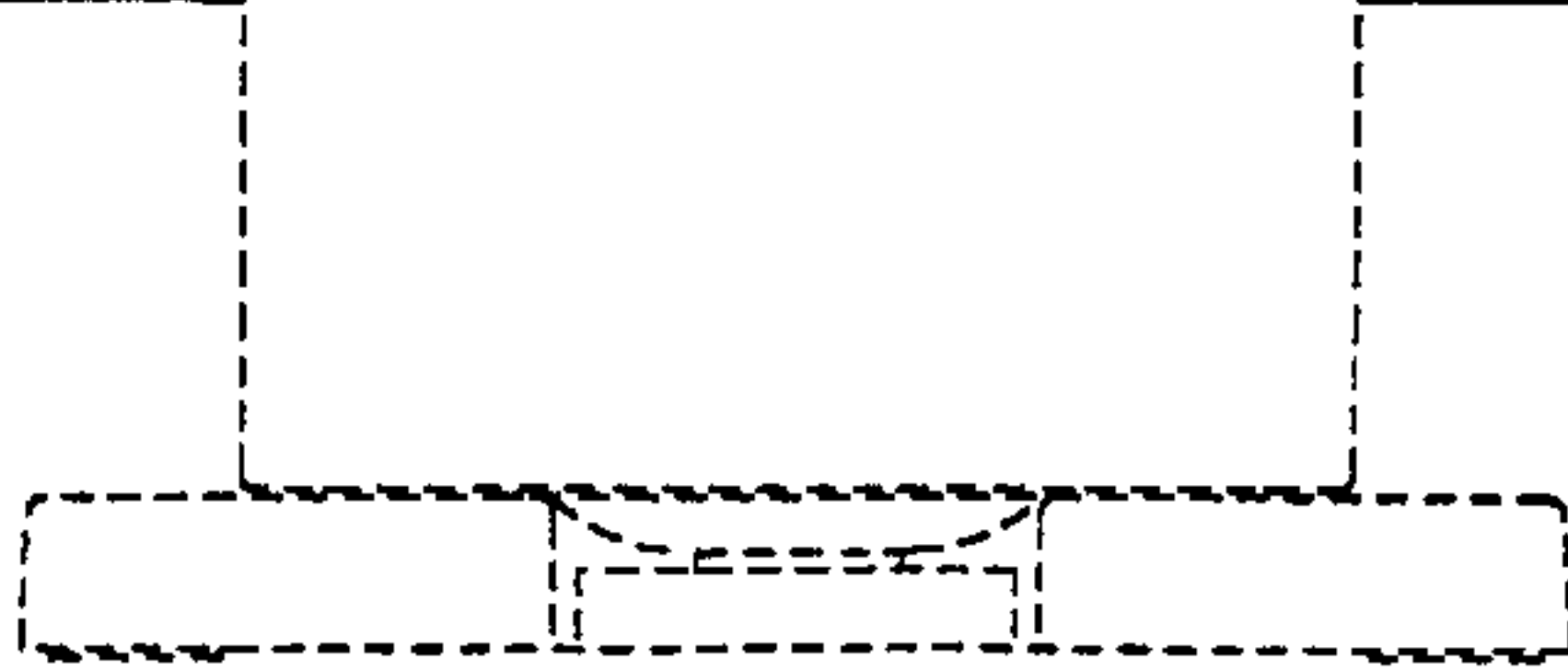


FIG. 3

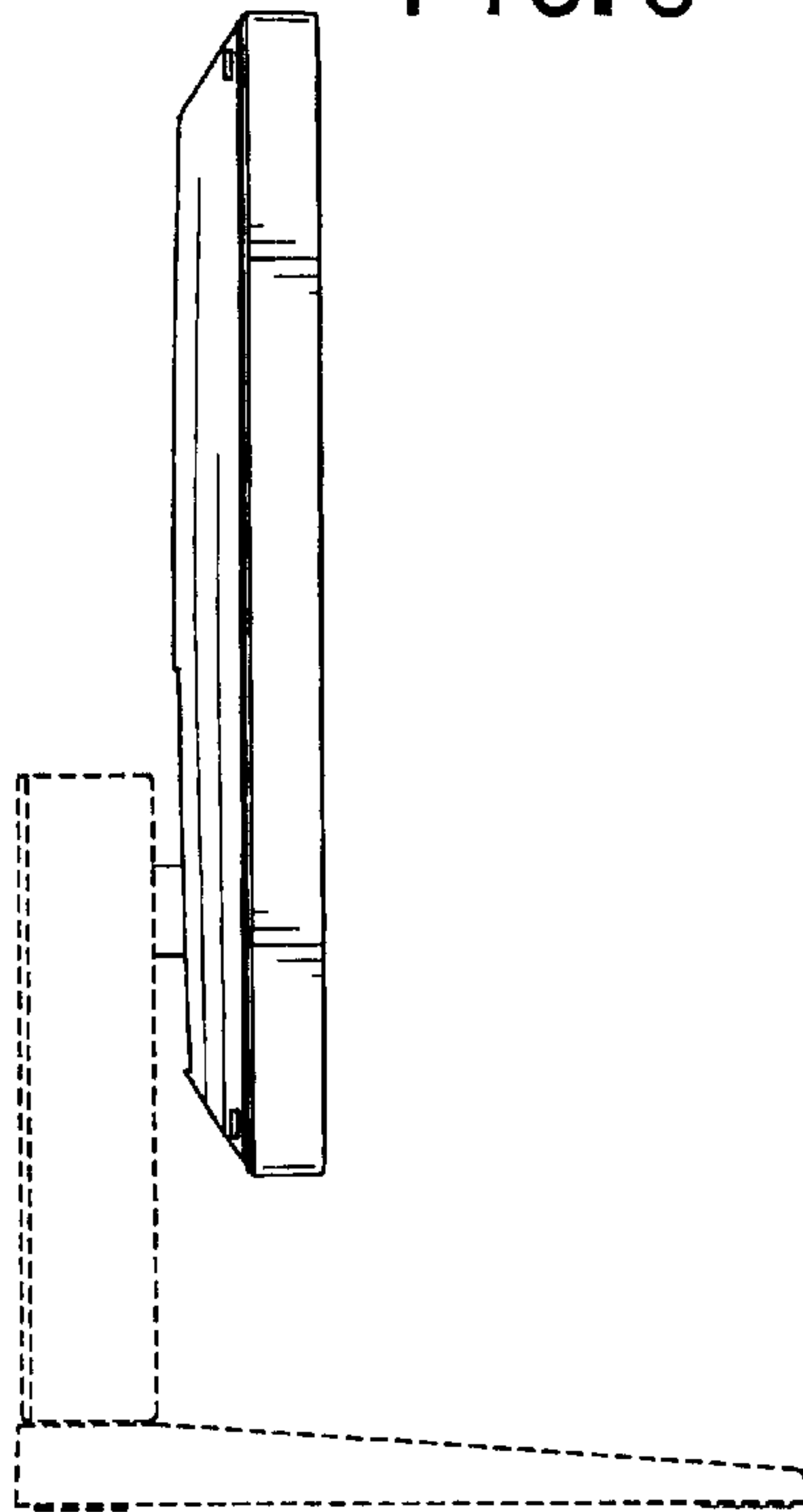


FIG. 4

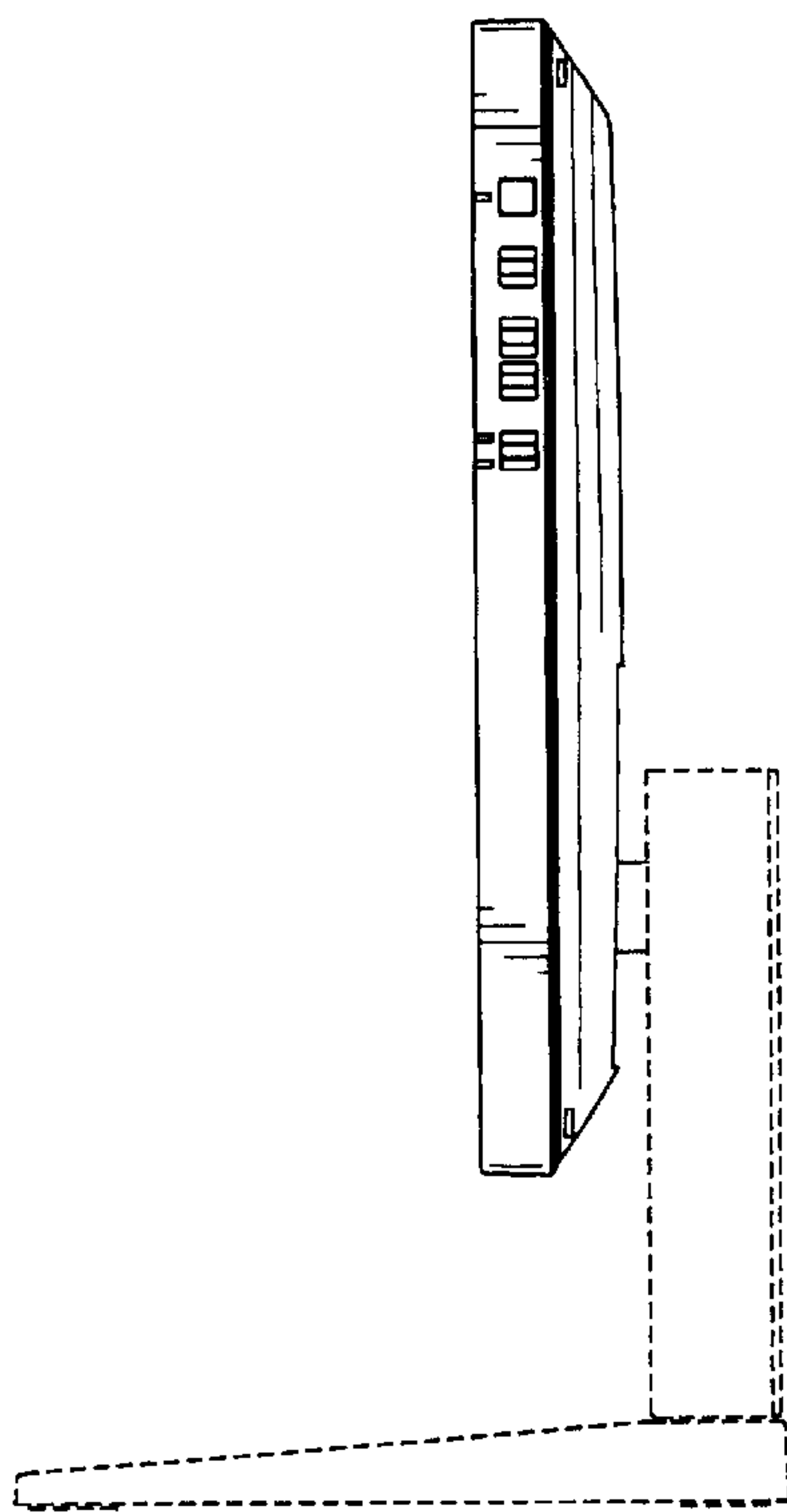


FIG. 5

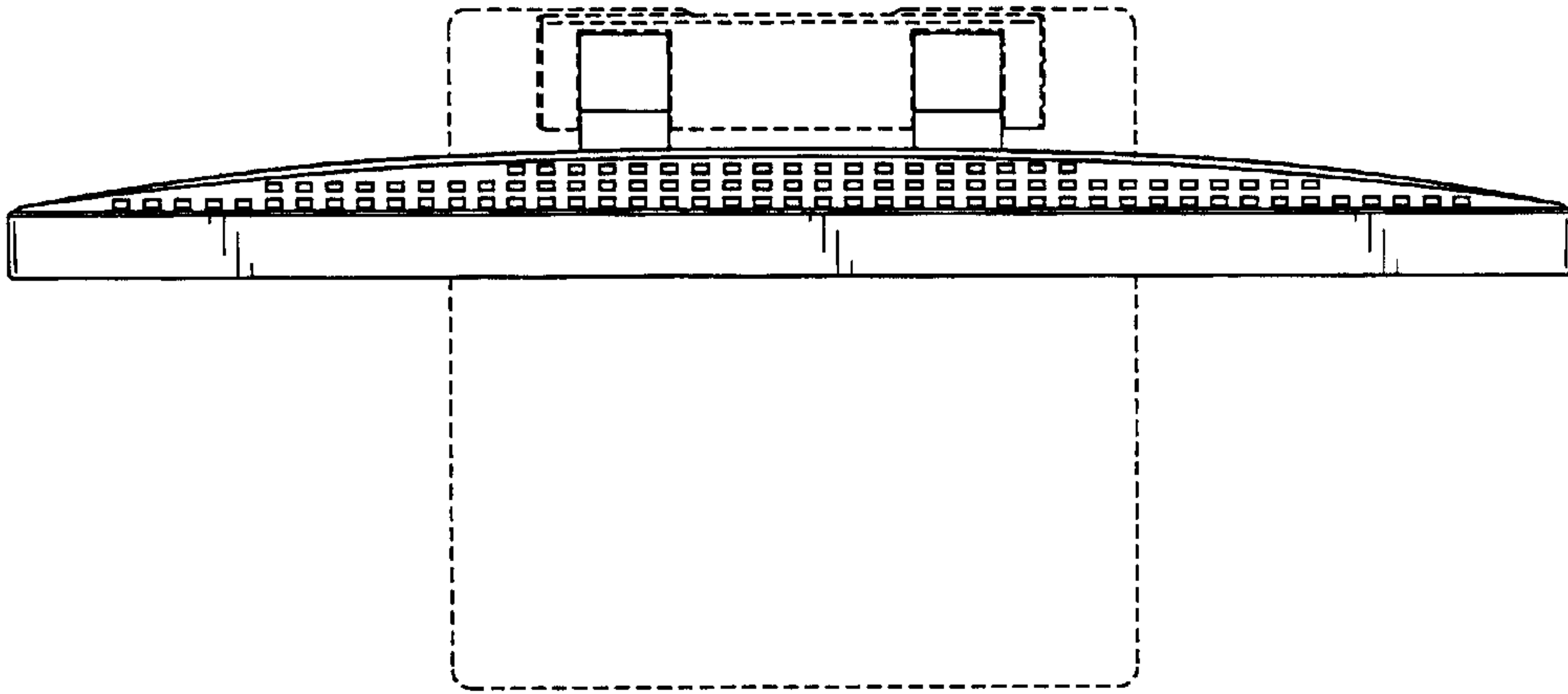
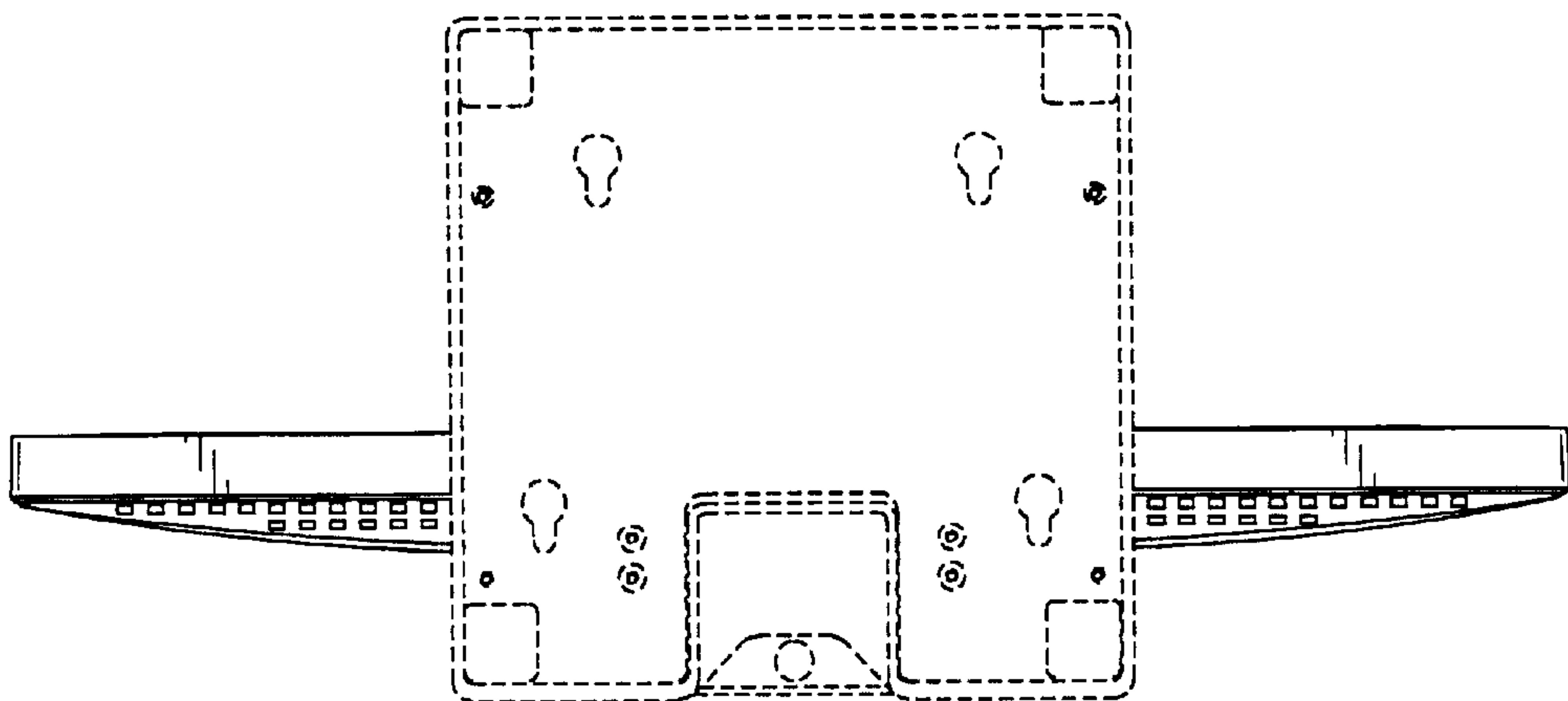


FIG. 6



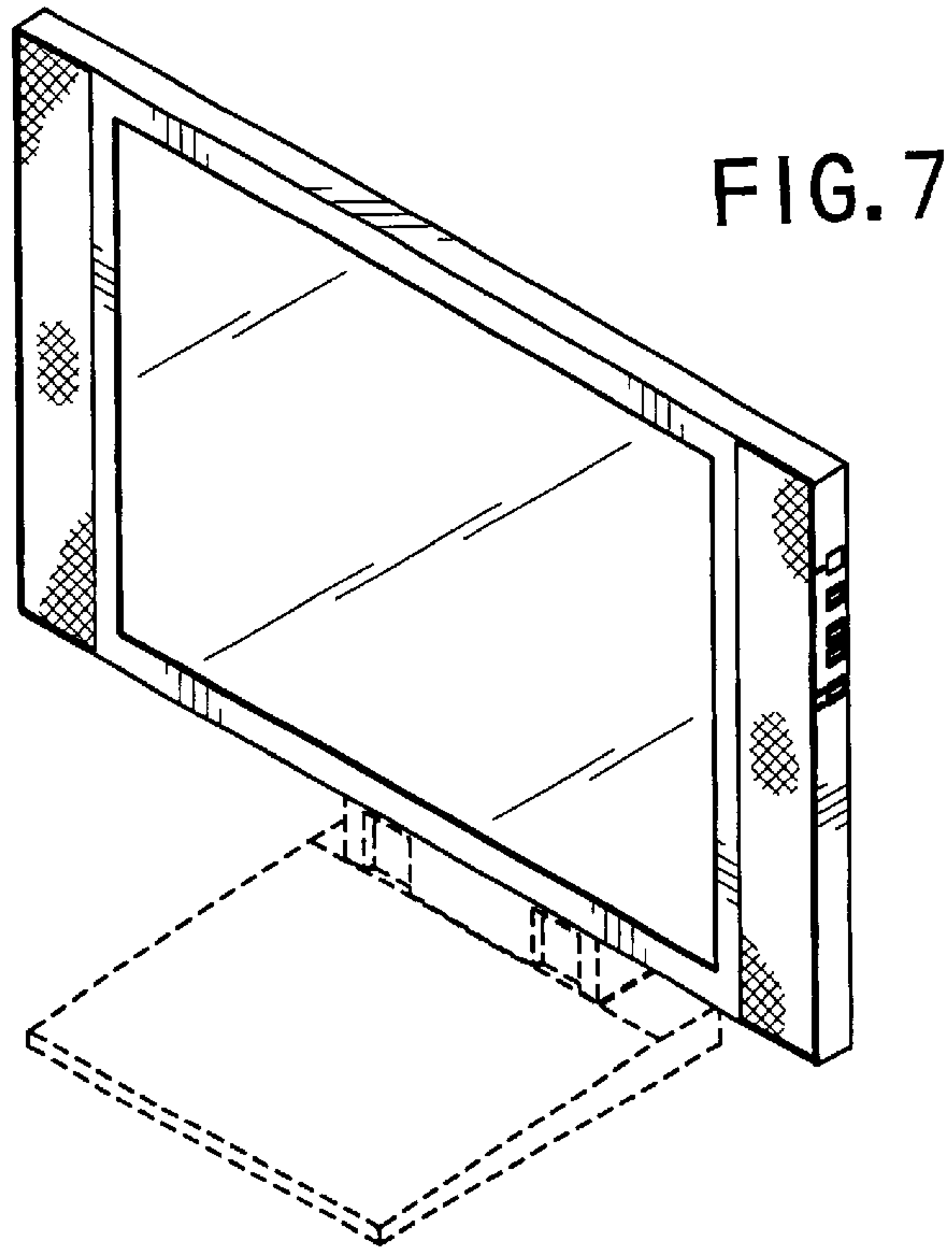


FIG. 8

