

US00D463429S

(12) **United States Design Patent**
Tanaka

(10) **Patent No.:** **US D463,429 S**

(45) **Date of Patent:** **** Sep. 24, 2002**

(54) **MAGNETIC DISK MEMORY DEVICE FOR ELECTRONIC COMPUTERS**

D435,559 S 12/2000 Tanaka
D438,205 S * 2/2001 Tanaka D14/356

(75) Inventor: **Keita Tanaka**, Tokyo (JP)

FOREIGN PATENT DOCUMENTS

(73) Assignee: **Kabushiki Kaisha Toshiba**, Minato-ku (JP)

JP 1096846 1/2001

(**) Term: **14 Years**

OTHER PUBLICATIONS

(21) Appl. No.: **29/148,653**

Sun Microsystems Co., NETRA st A 1000/D1000 Advertisement, Jan. 19, 2000.

(22) Filed: **Sep. 26, 2001**

* cited by examiner

(30) **Foreign Application Priority Data**

Mar. 29, 2001 (JP) 2001-008921

Primary Examiner—Freda Nunn

(74) *Attorney, Agent, or Firm*—Banner & Witcoff, Ltd.

(51) **LOC (7) Cl.** **14-02**

(57) **CLAIM**

(52) **U.S. Cl.** **D14/356; D14/363**

The ornamental design for a magnetic disk memory device for electronic computers, as shown and described.

(58) **Field of Search** D14/356, 363, D14/364, 365, 367; D13/162, 184, 199; 312/223.1–223.3; 360/99.01–99.12; 361/690–696; 369/34.01, 36.01

DESCRIPTION

(56) **References Cited**

U.S. PATENT DOCUMENTS

D306,286 S * 2/1990 Sawatani et al. D14/368
D319,225 S * 8/1991 Kline et al. D14/368
D340,040 S 10/1993 Gifford et al.
D350,945 S * 9/1994 Hill et al. D14/368
D420,336 S * 2/2000 Tanaka D13/147 X
6,088,224 A * 7/2000 Gallagher et al. 361/695

FIG. 1 is a top, front and right side perspective view of a magnetic disk memory device for electronic computers showing my new design,

FIG. 2 is a front elevational view thereof,

FIG. 3 is a top plan view thereof,

FIG. 4 is a right side elevational view, a left side elevational view being a mirror image.

FIG. 5 is a rear elevational view thereof; and,

FIG. 6 is a bottom plan view thereof.

1 Claim, 3 Drawing Sheets

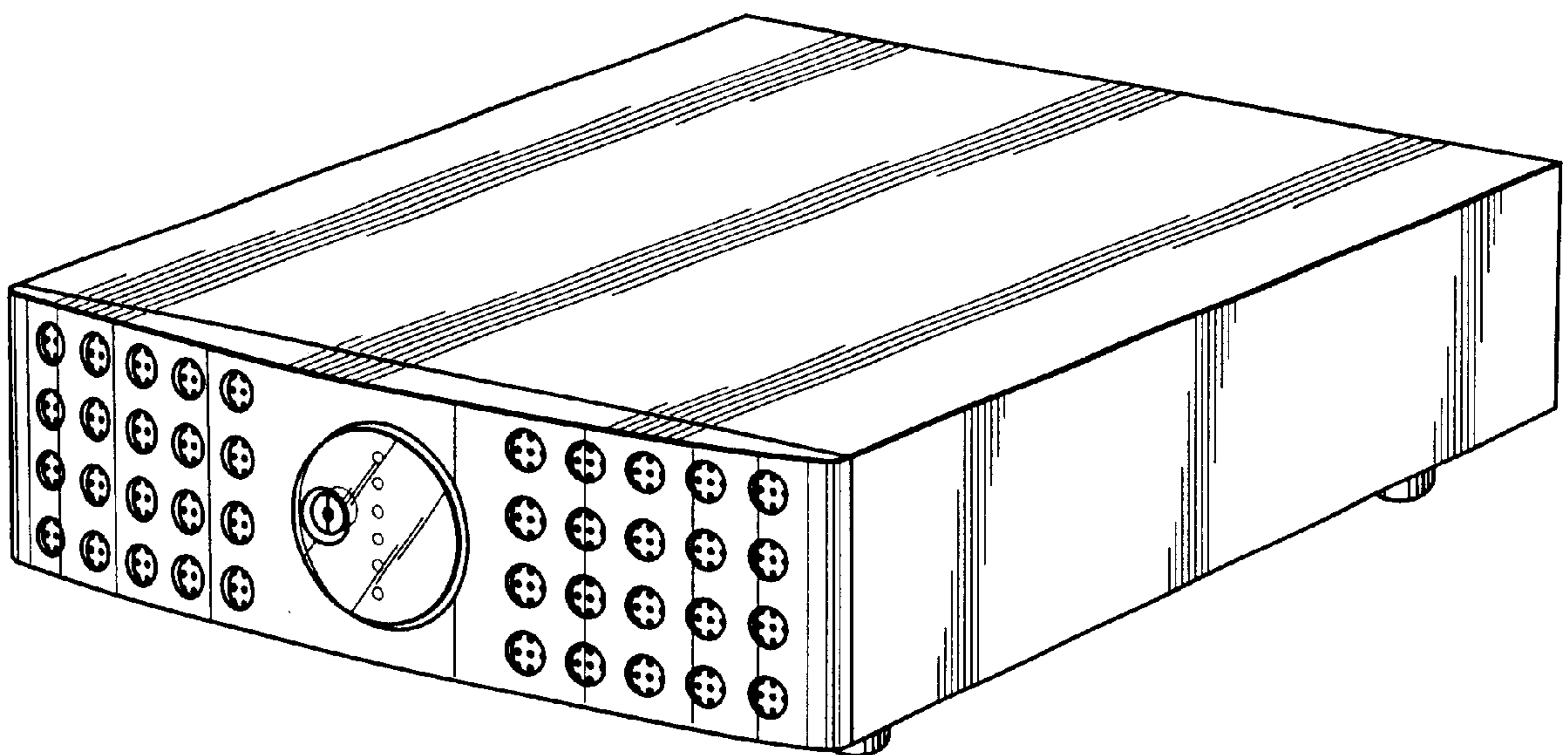


FIG. 1

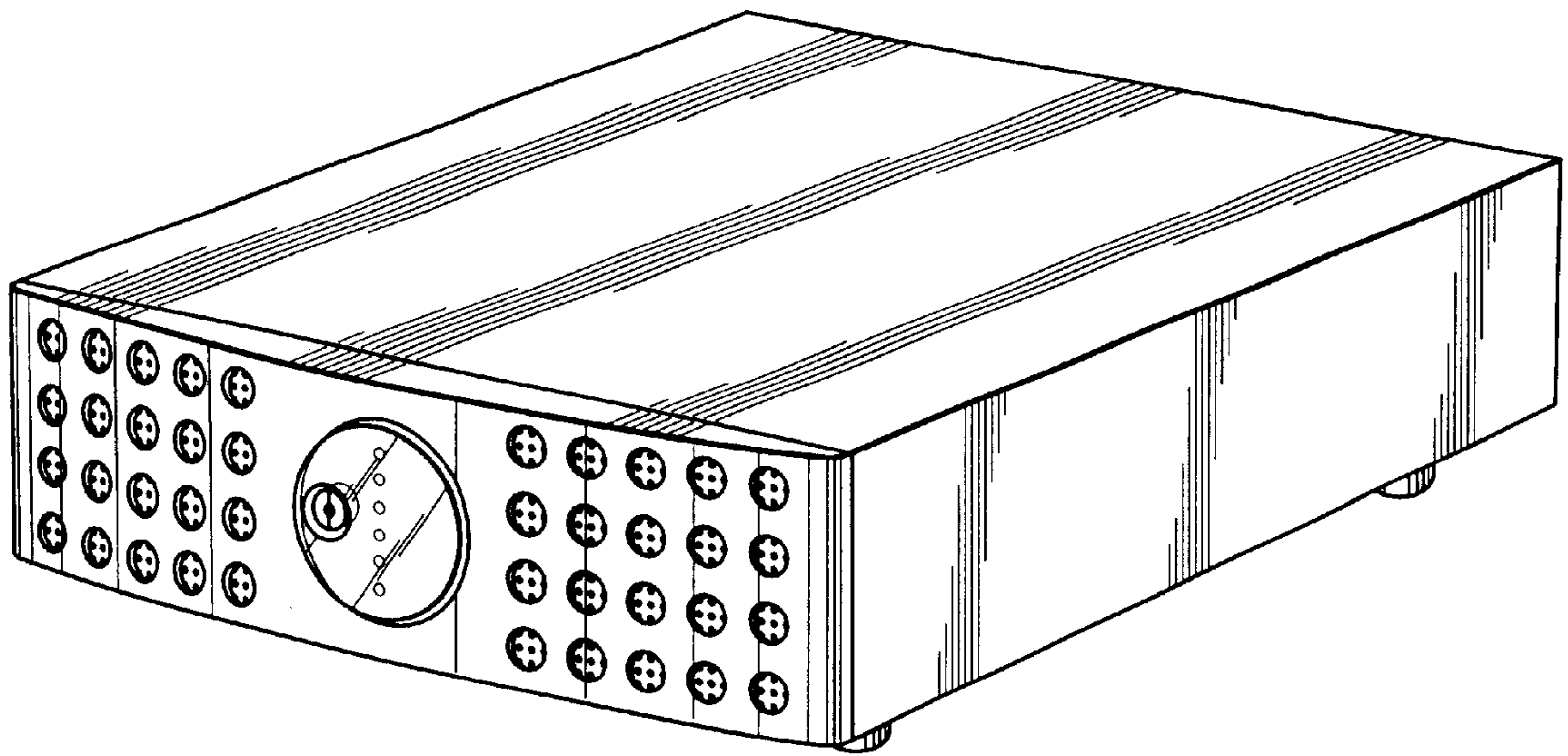


FIG. 2

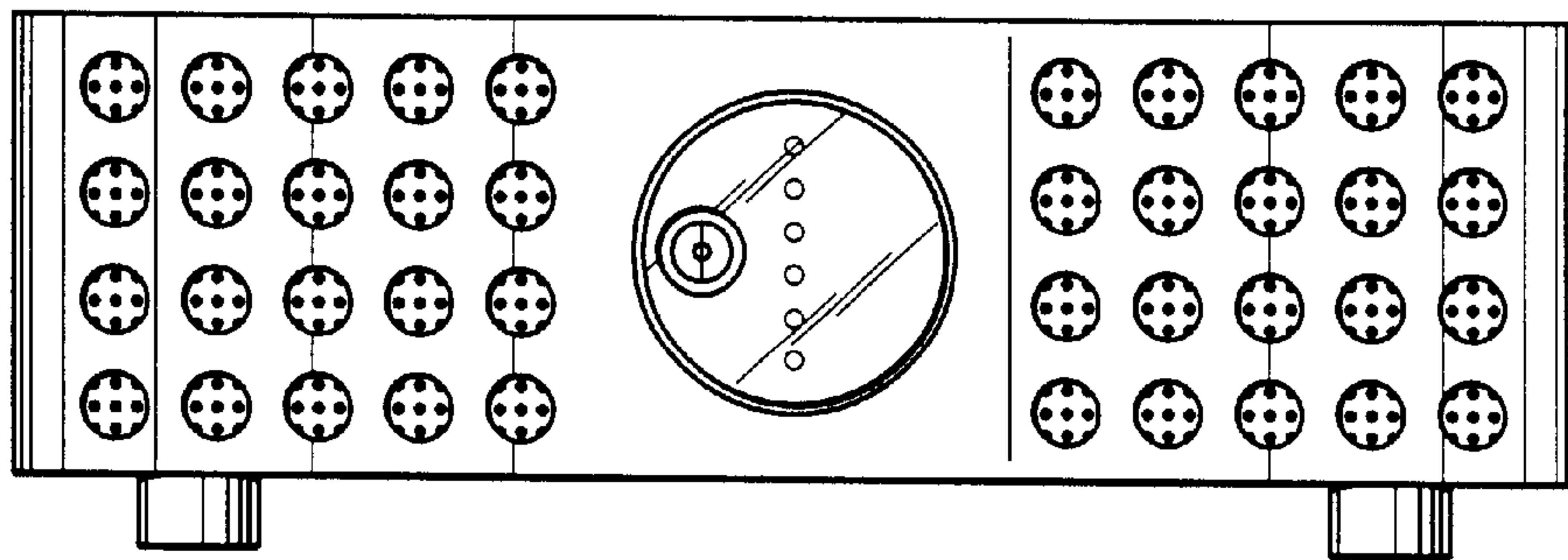


FIG. 3

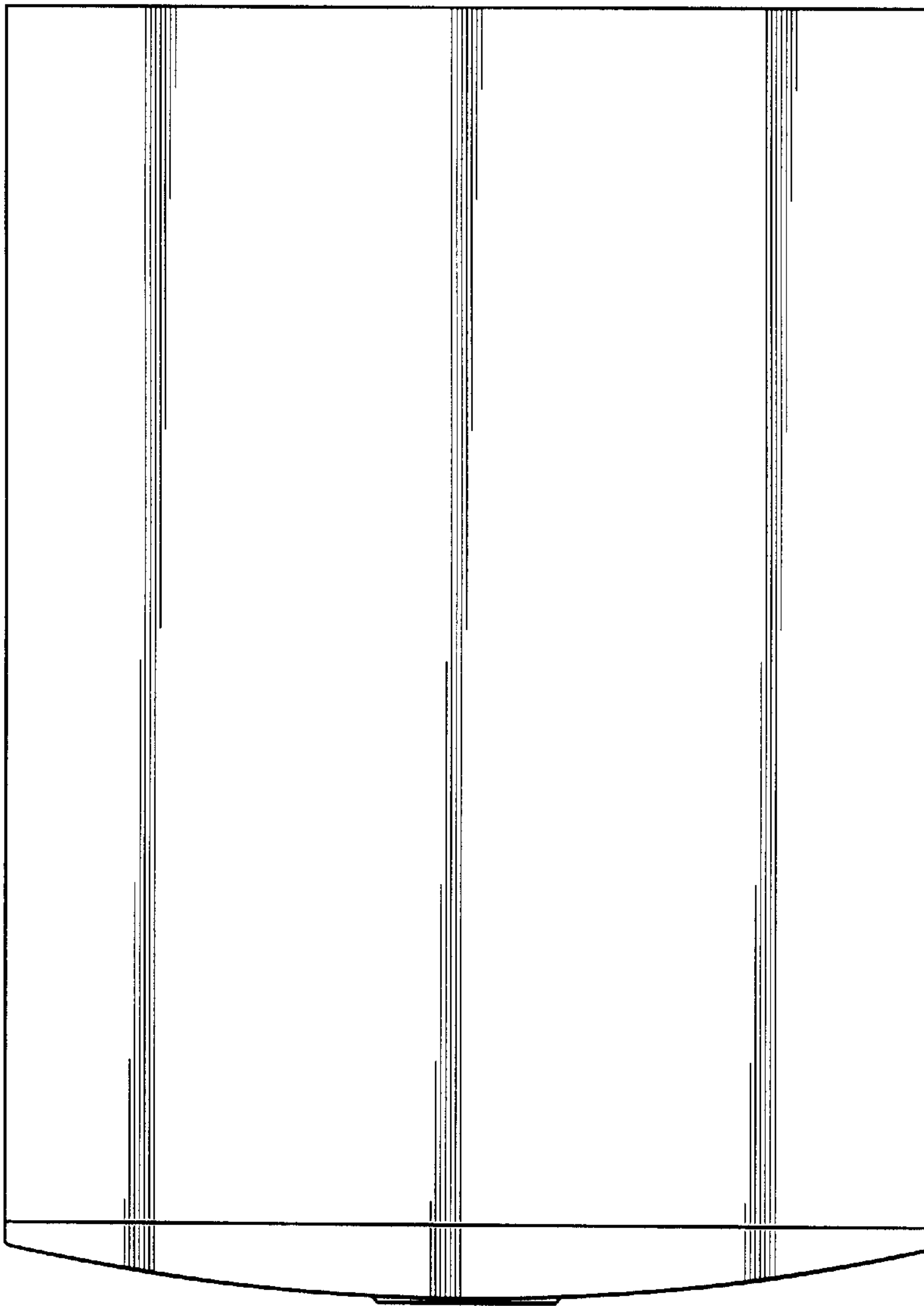


FIG. 4

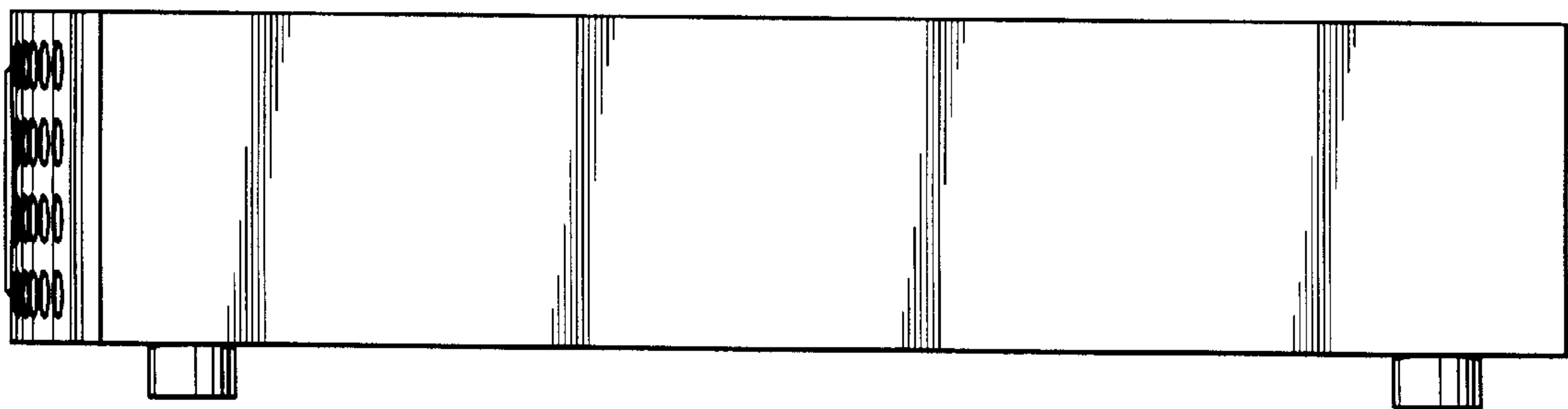


FIG. 5

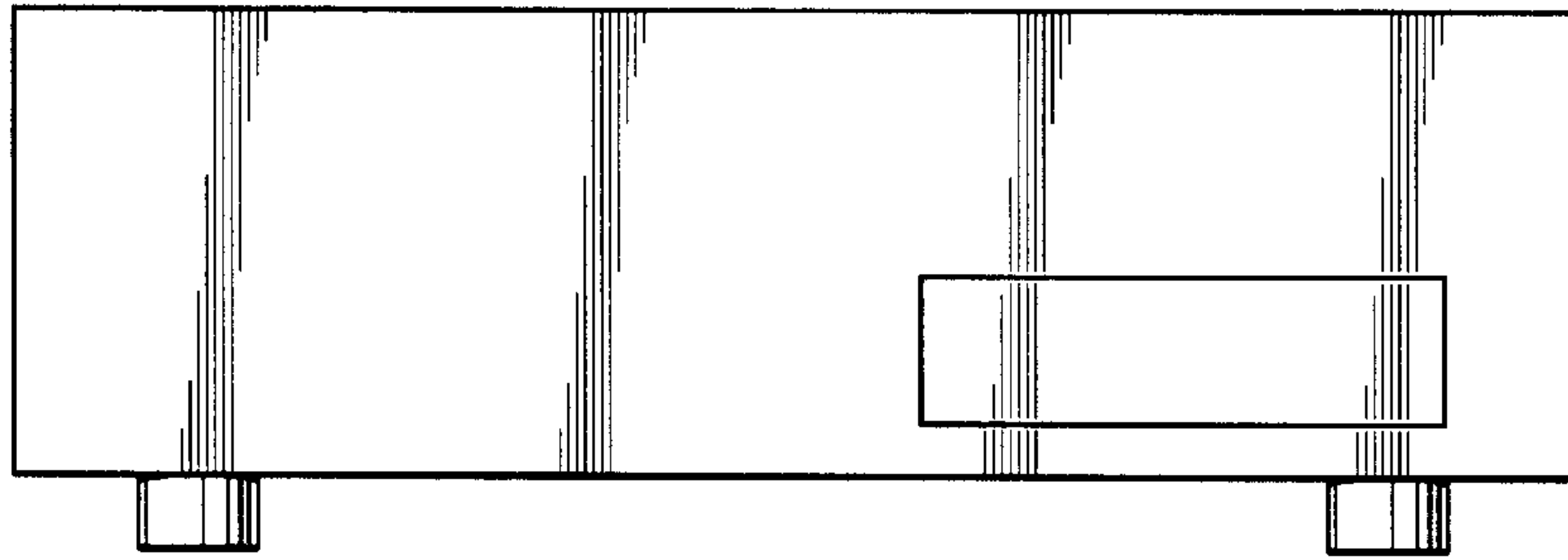


FIG. 6

