



US00D463428S

(12) **United States Design Patent**
Tanaka

(10) **Patent No.:** **US D463,428 S**

(45) **Date of Patent:** **** Sep. 24, 2002**

(54) **ARITHMETIC OPERATION CONTROL
MACHINE FOR ELECTRONIC COMPUTER**

D438,205 S * 2/2001 Tanaka D14/356

FOREIGN PATENT DOCUMENTS

(75) Inventor: **Keita Tanaka**, Tokyo (JP)

JP 832055-2 3/1992

(73) Assignee: **Kabushiki Kaisha Toshiba**, Tokyo (JP)

* cited by examiner

(**) Term: **14 Years**

Primary Examiner—Freda Nunn

(21) Appl. No.: **29/148,040**

(74) *Attorney, Agent, or Firm*—Oblon, Spivak, McClelland,
Maier & Neustadt, P.C.

(22) Filed: **Sep. 14, 2001**

(57) **CLAIM**

(30) **Foreign Application Priority Data**

The ornamental design for an arithmetic operation control machine for electronic computer, as shown and described.

Mar. 14, 2001 (JP) 2001-006625

DESCRIPTION

(51) **LOC (7) Cl.** **14-02**

(52) **U.S. Cl.** **D14/356**

(58) **Field of Search** D14/356, 363,
D14/364, 365, 367; D13/162, 184, 199,
147; 312/223.1–223.3; 360/99.01–99.12;
361/690–696; 369/34.01, 36.01

FIG. 1 is a front, top and right side perspective view of an arithmetic operation control machine for electronic computer, showing my new design;

FIG. 2 is a front elevational view thereof;

FIG. 3 is a rear elevational view thereof;

FIG. 4 is a right side elevational view thereof;

FIG. 5 is a left side elevational view thereof; and,

FIG. 6 is a top plan view thereof; the opposite side being a mirror image thereof.

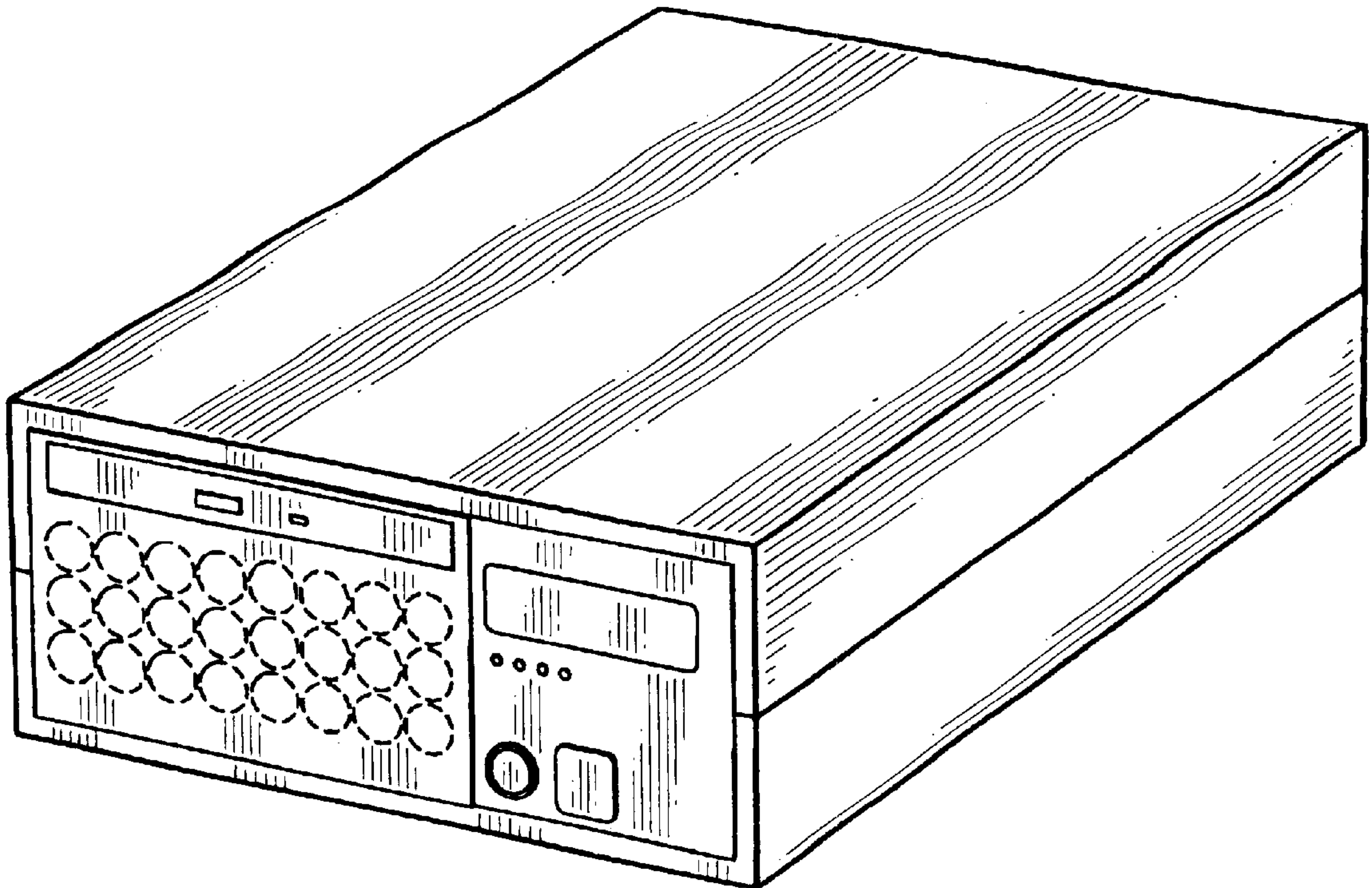
(56) **References Cited**

U.S. PATENT DOCUMENTS

D306,286 S * 2/1990 Sawatani et al. D14/368
D319,225 S * 8/1991 Kline et al. D14/368
D350,945 S * 9/1994 Hill et al. D14/368
D420,336 S * 2/2000 Tanaka D13/147 X
6,088,224 A * 7/2000 Gallagher et al. 361/695

The broken lines are included for the purpose of illustrating environmental structure only and form no part of the claimed design.

1 Claim, 3 Drawing Sheets



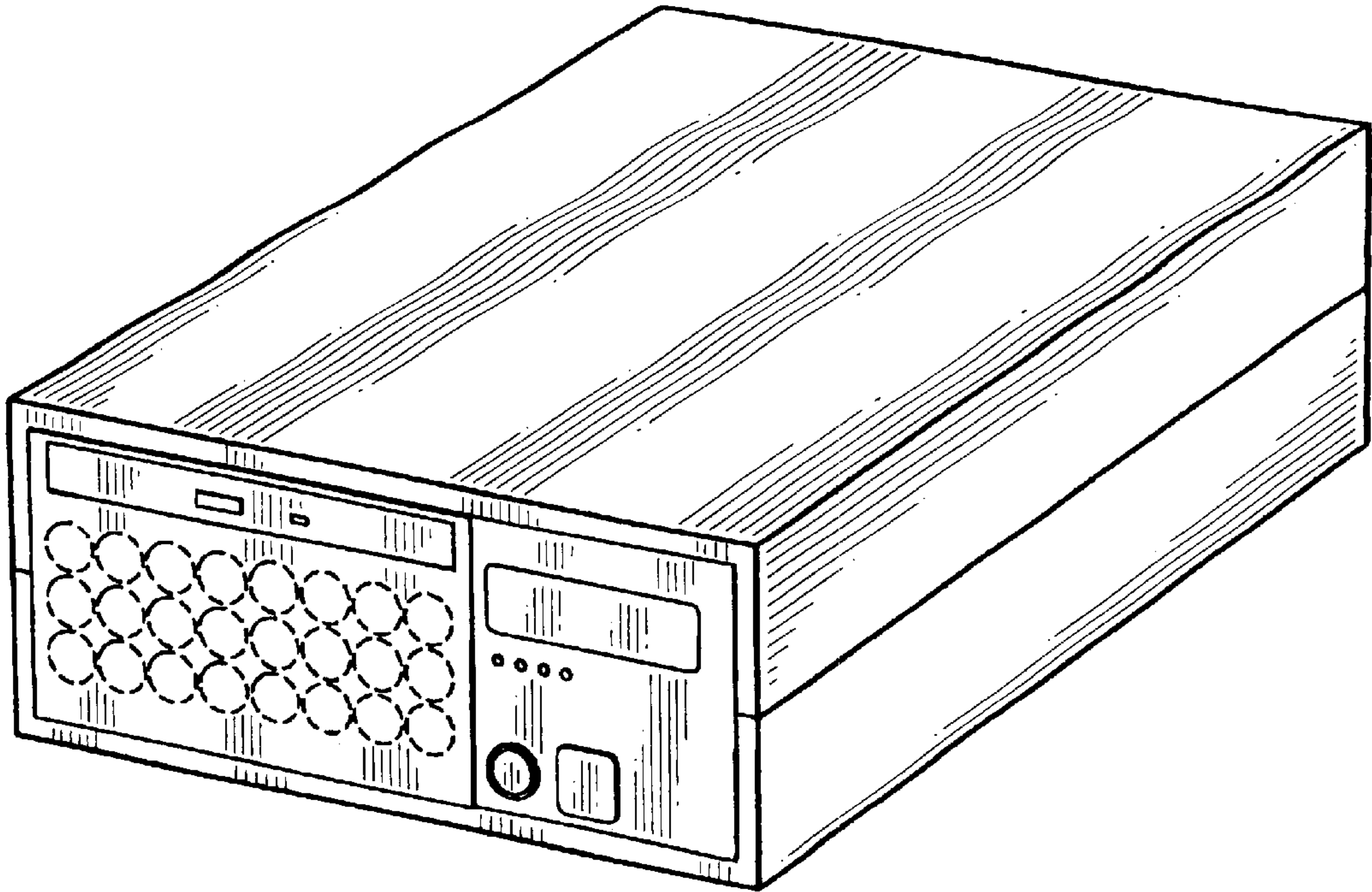


Fig. 1

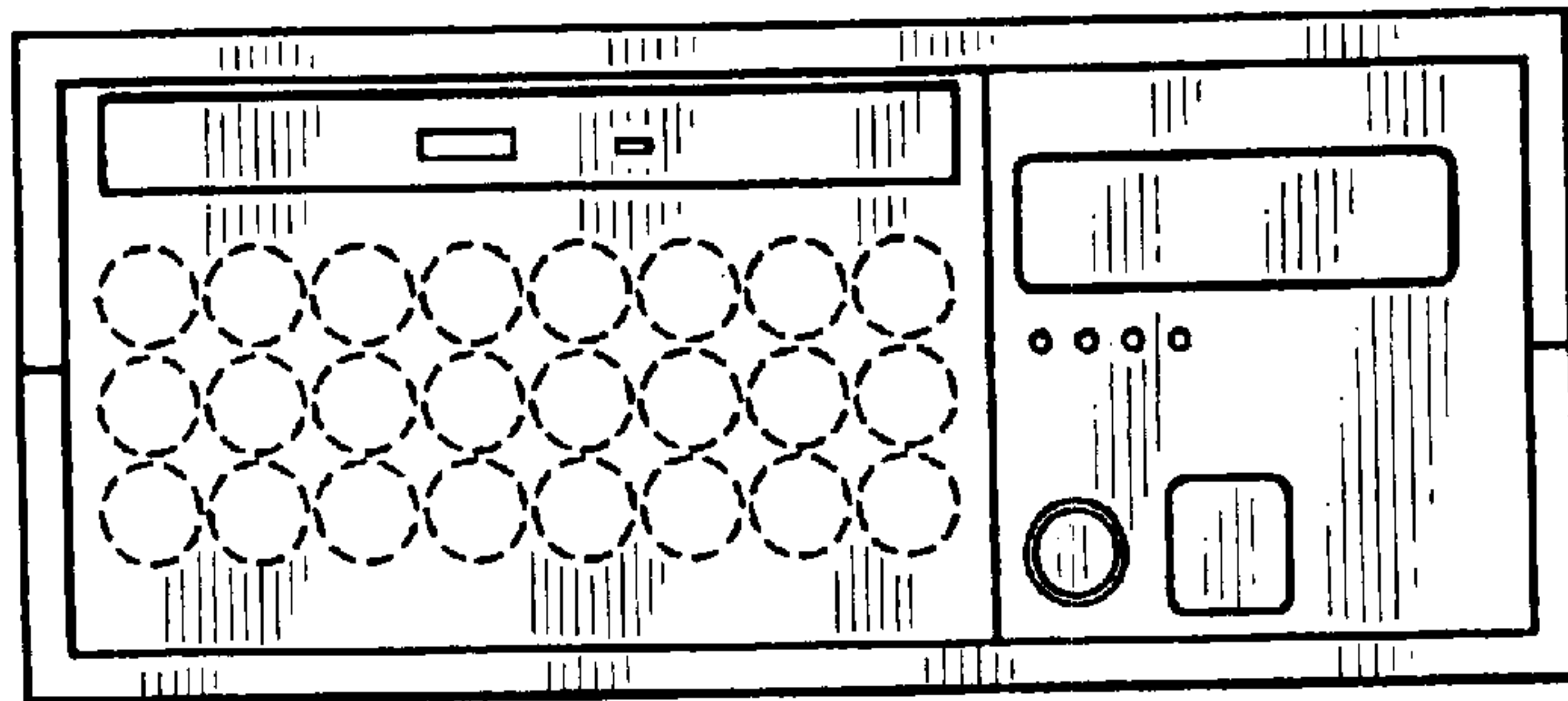


Fig. 2

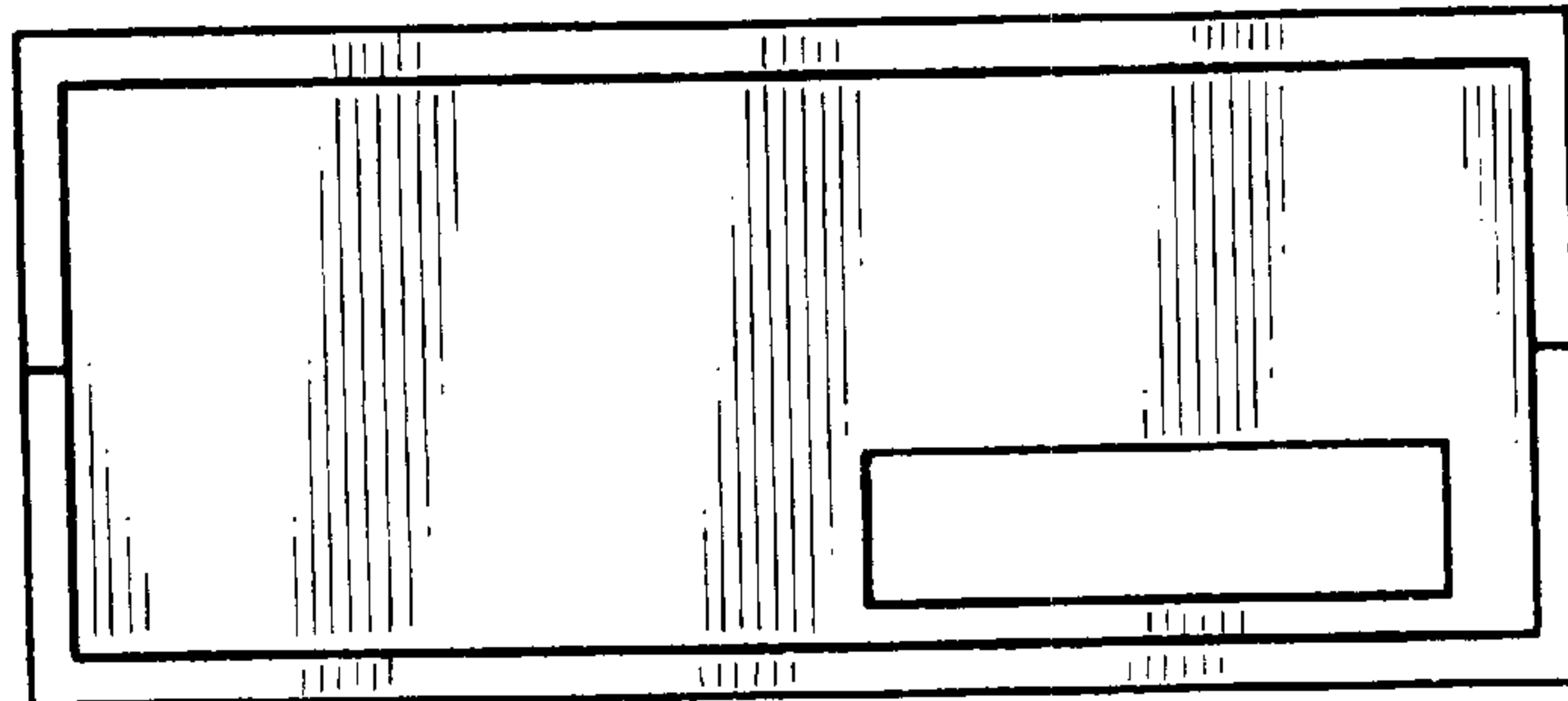


Fig. 3

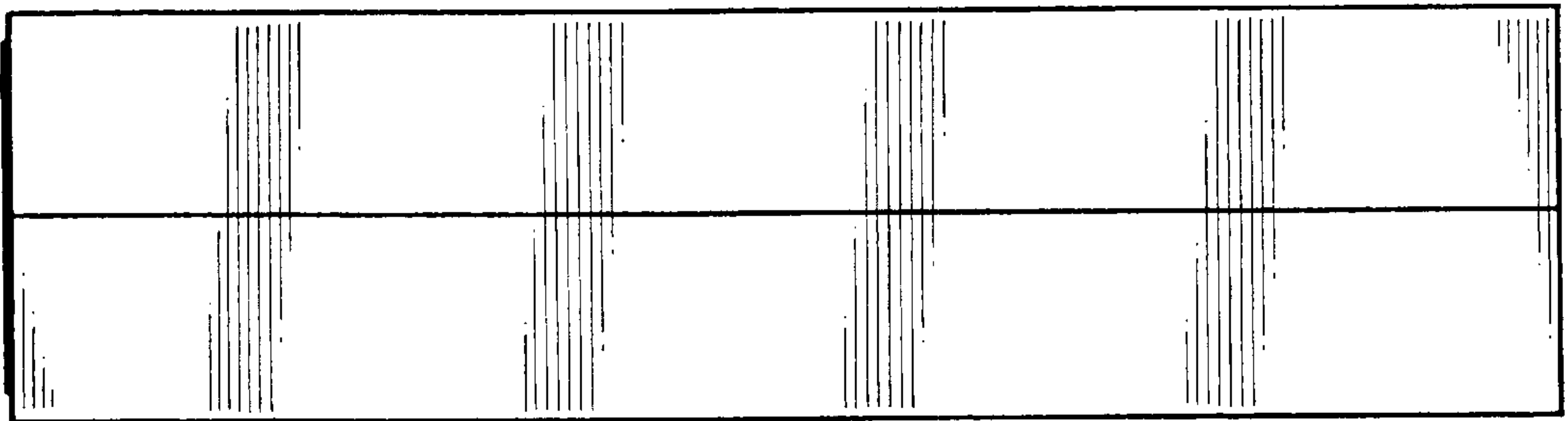


Fig. 4

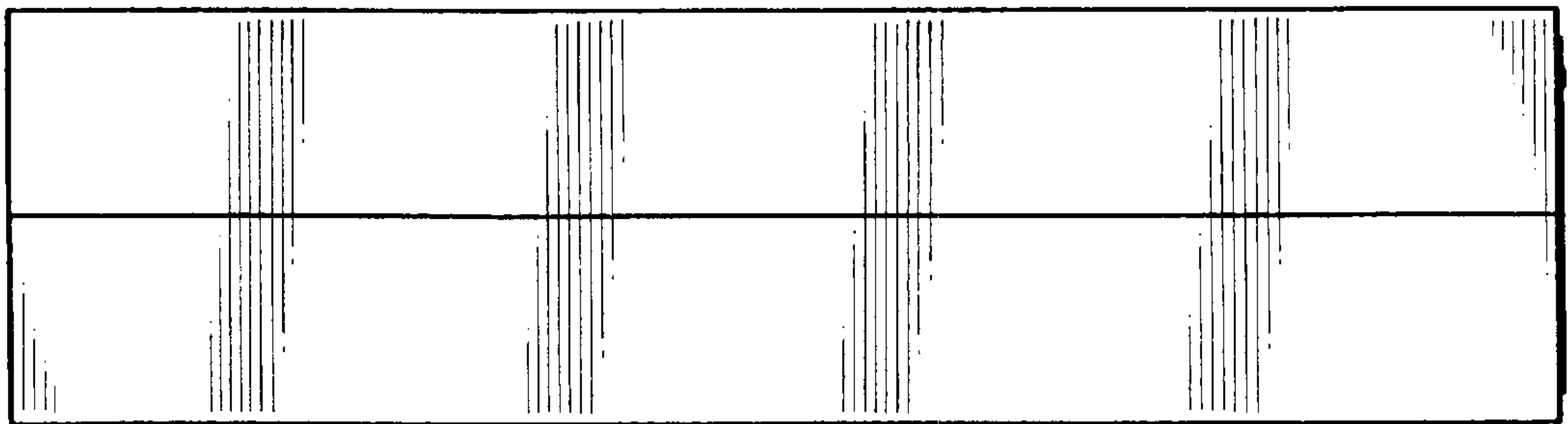


Fig. 5

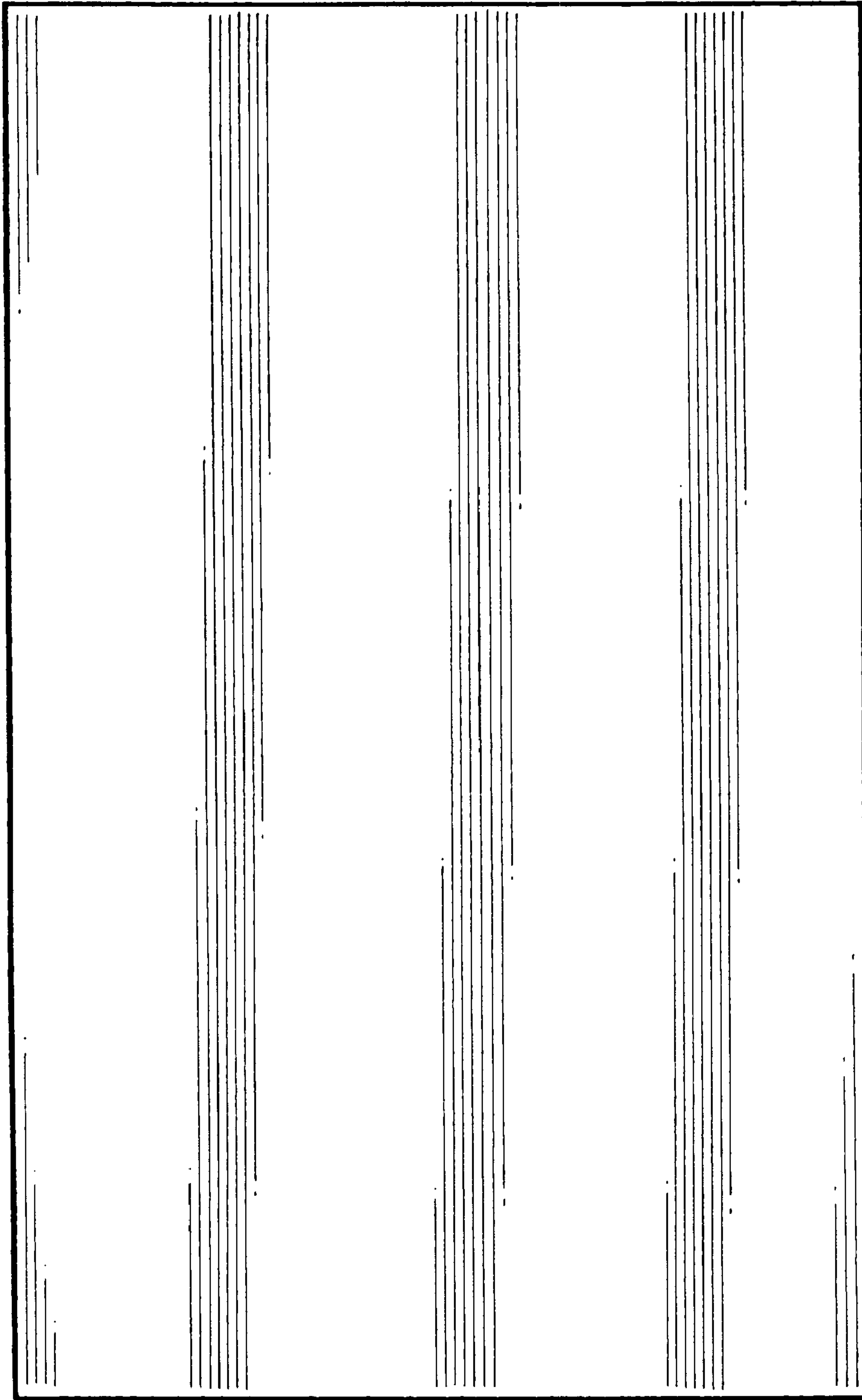


Fig. 6