



US00D463426S

(12) **United States Design Patent**  
**Cheng**

(10) **Patent No.:** **US D463,426 S**

(45) **Date of Patent:** **\*\* Sep. 24, 2002**

(54) **PORTABLE DATA STORAGE DEVICE**

(75) Inventor: **Chong Seng Cheng**, Singapore (SG)

(73) Assignee: **Trek Technology (Singapore) Pte Ltd.**,  
Singapore (SG)

(\*\*) Term: **14 Years**

(21) Appl. No.: **29/130,288**

(22) Filed: **Sep. 29, 2000**

(30) **Foreign Application Priority Data**

Mar. 31, 2000 (GB) ..... 2091818

(51) **LOC (7) Cl.** ..... **14-02**

(52) **U.S. Cl.** ..... **D14/356**

(58) **Field of Search** ..... D14/356, 341,  
D14/348, 363; D13/162, 184, 199; 361/680-686,  
690-696; 312/223.1-223.3; 235/380

(56) **References Cited**

**U.S. PATENT DOCUMENTS**

D332,254 S \* 1/1993 Hofland et al. .... D14/356  
5,340,968 A \* 8/1994 Watanabe et al. .... 235/380

D408,800 S \* 4/1999 Renk ..... D14/356  
D417,661 S \* 12/1999 Renk ..... D14/356  
D431,231 S \* 9/2000 Goto ..... D14/356

\* cited by examiner

*Primary Examiner*—Freda Nunn

(74) *Attorney, Agent, or Firm*—Ostrolenk, Faber, Gerb &  
Soffen, LLP

(57) **CLAIM**

The ornamental design for a portable data storage device, as  
shown and described.

**DESCRIPTION**

FIG. 1 is a perspective view from above and front of the  
portable data storage device;

FIG. 2 is a perspective view from below and rear of the  
article shown in FIG. 1;

FIG. 3 is a bottom view of the article shown in FIG. 1;

FIG. 4 is a top view of the article shown in FIG. 1;

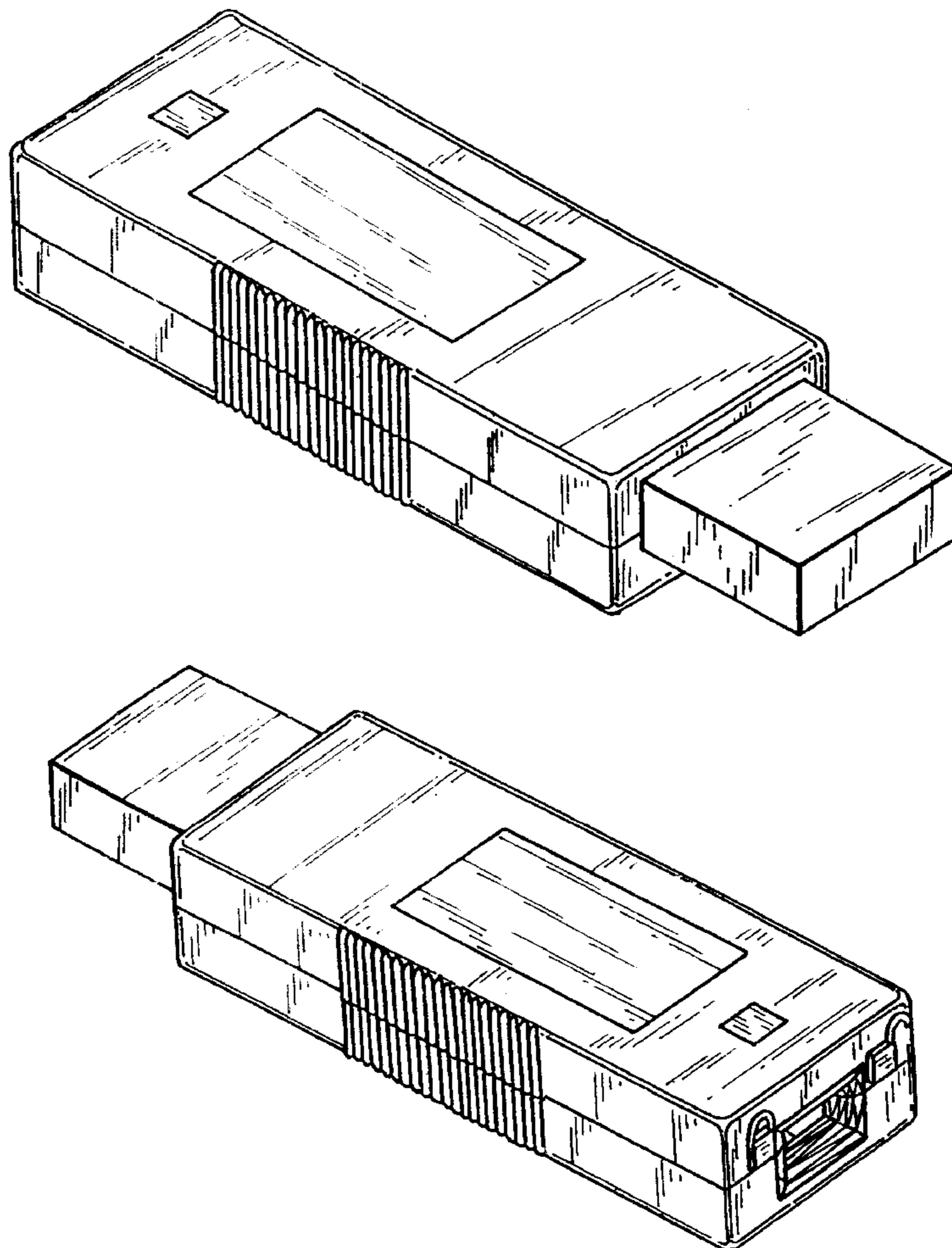
FIG. 5 is a right side view of the article shown in FIG. 1;

FIG. 6 is a left side view of the article shown in FIG. 1;

FIG. 7 is a front view of the article shown in FIG. 1; and,

FIG. 8 is a rearview of the article shown in FIG. 1.

**1 Claim, 3 Drawing Sheets**



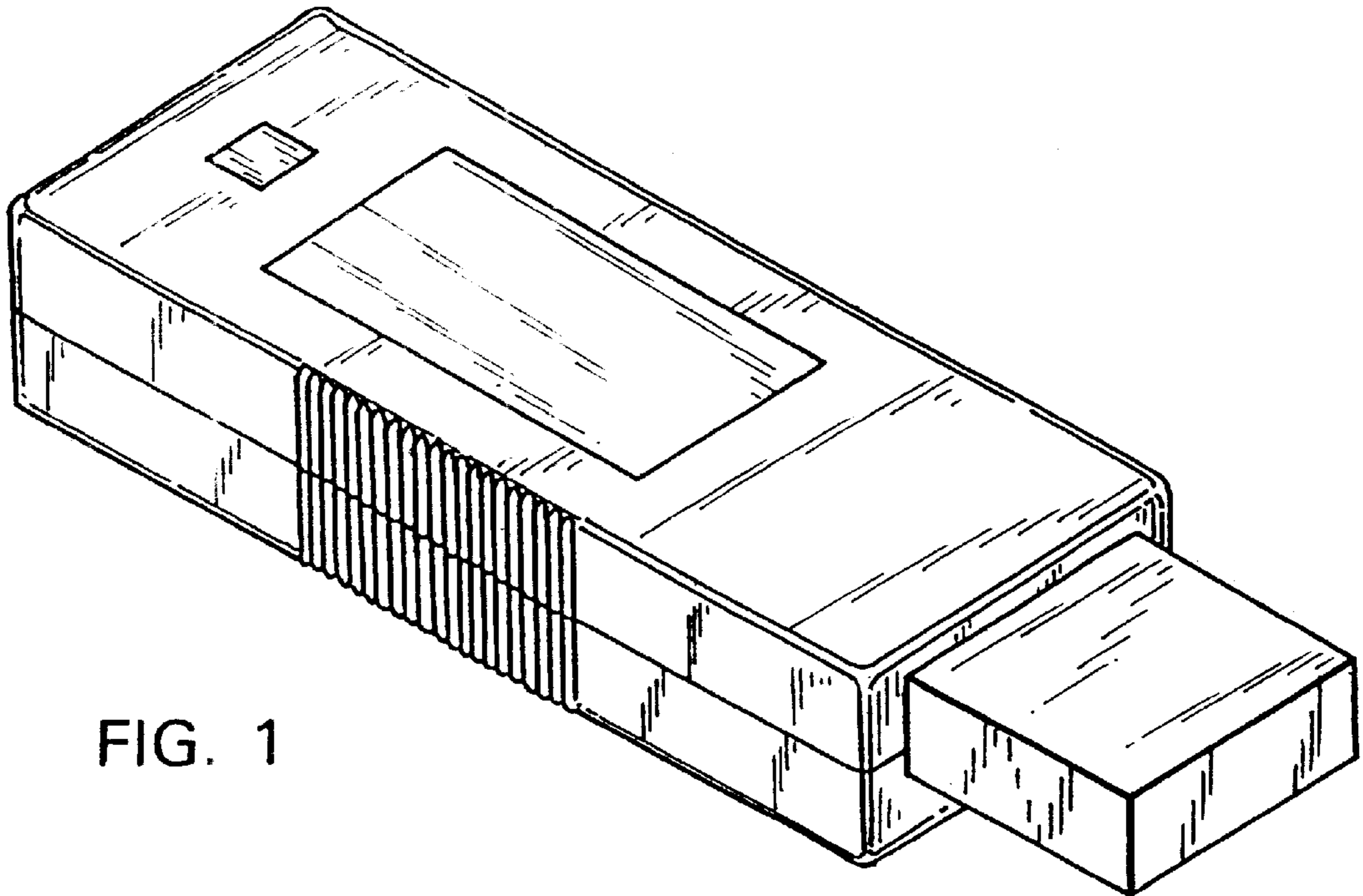


FIG. 1

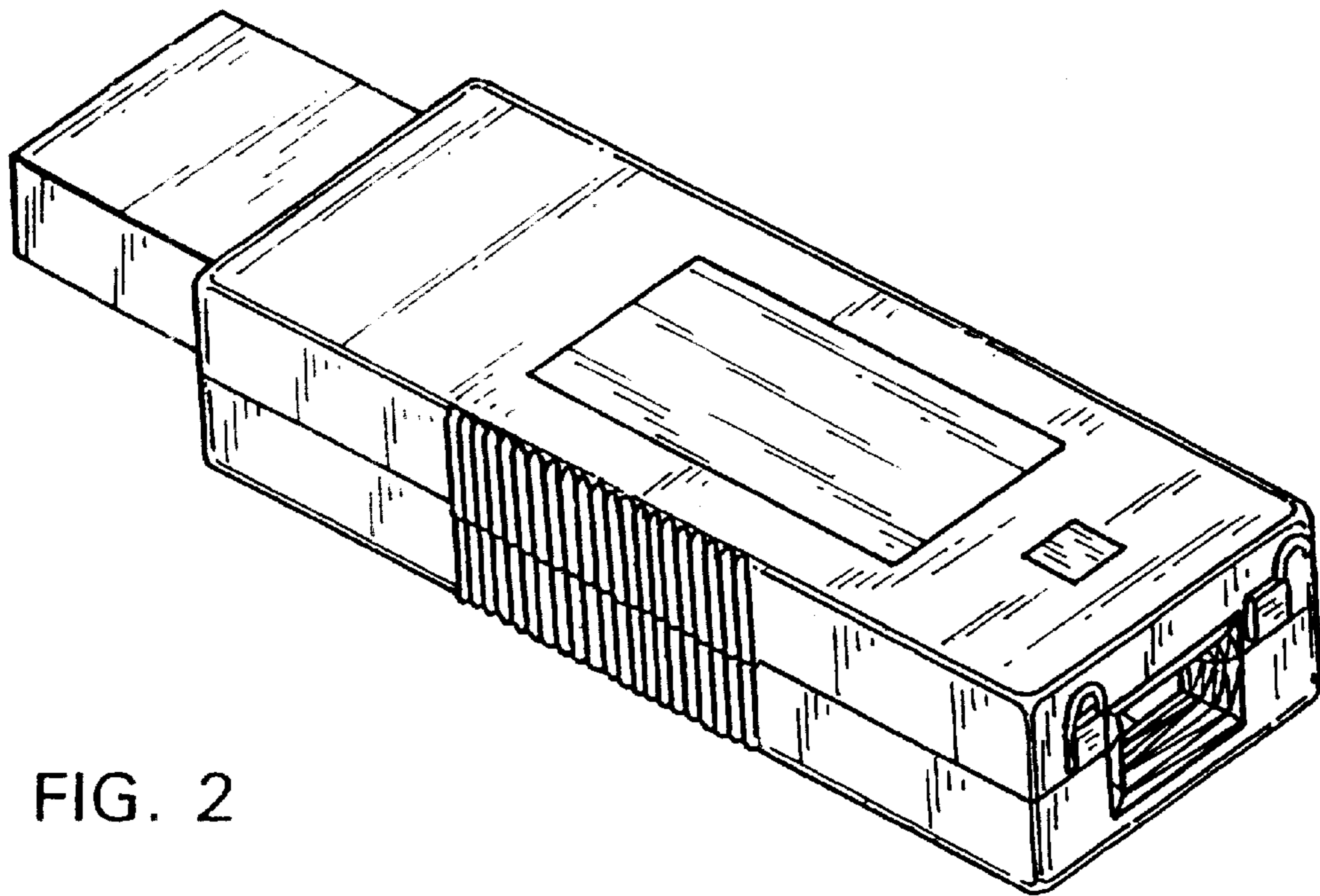


FIG. 2

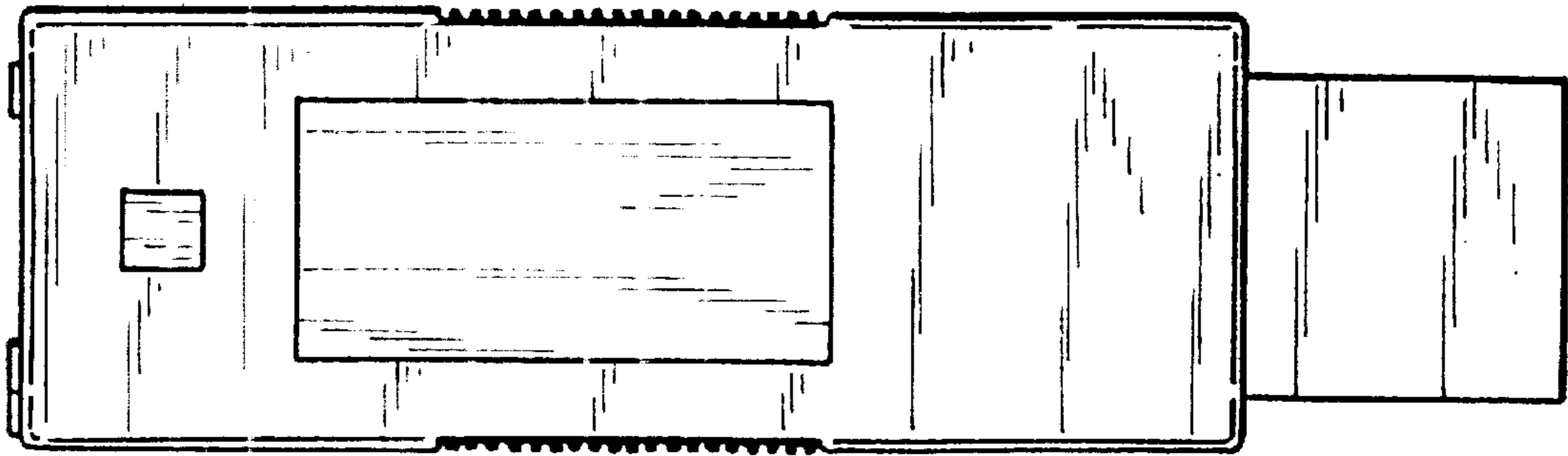


FIG. 3

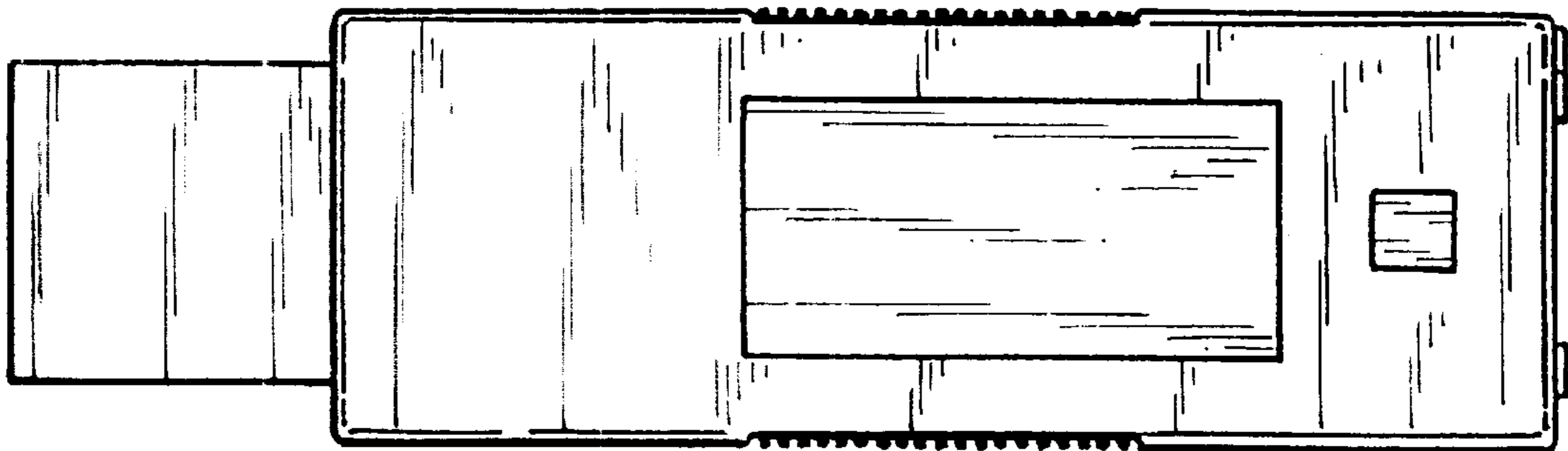


FIG. 4

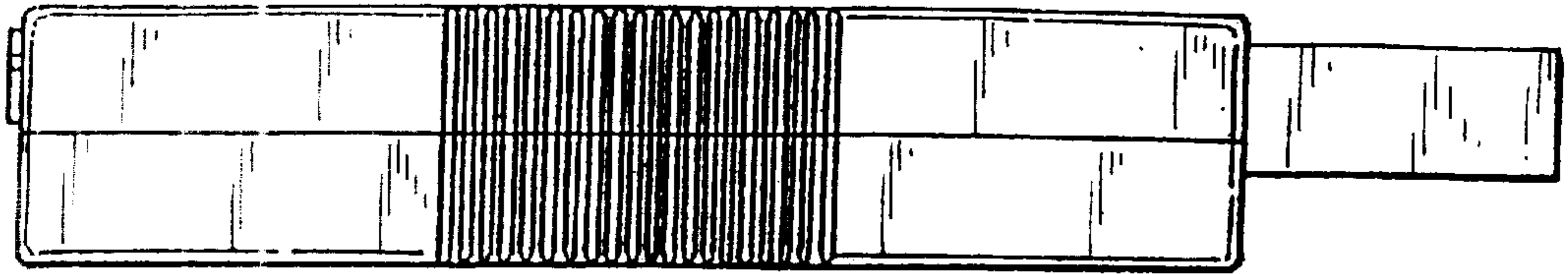


FIG. 5

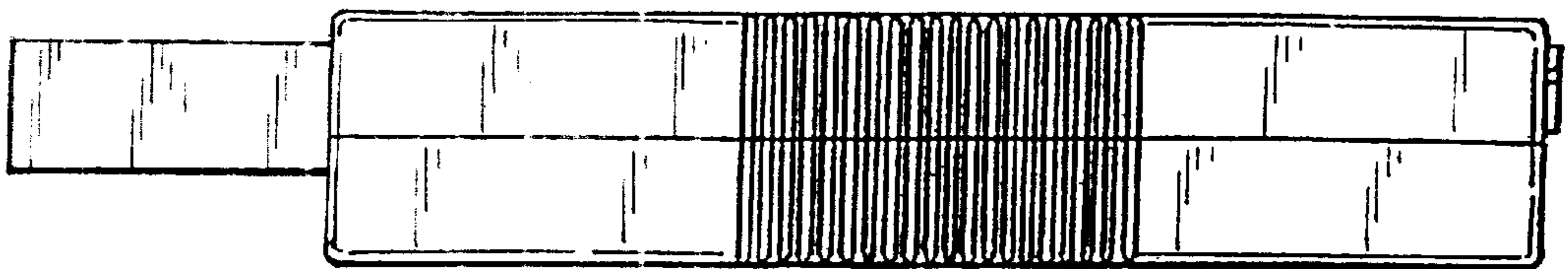


FIG. 6

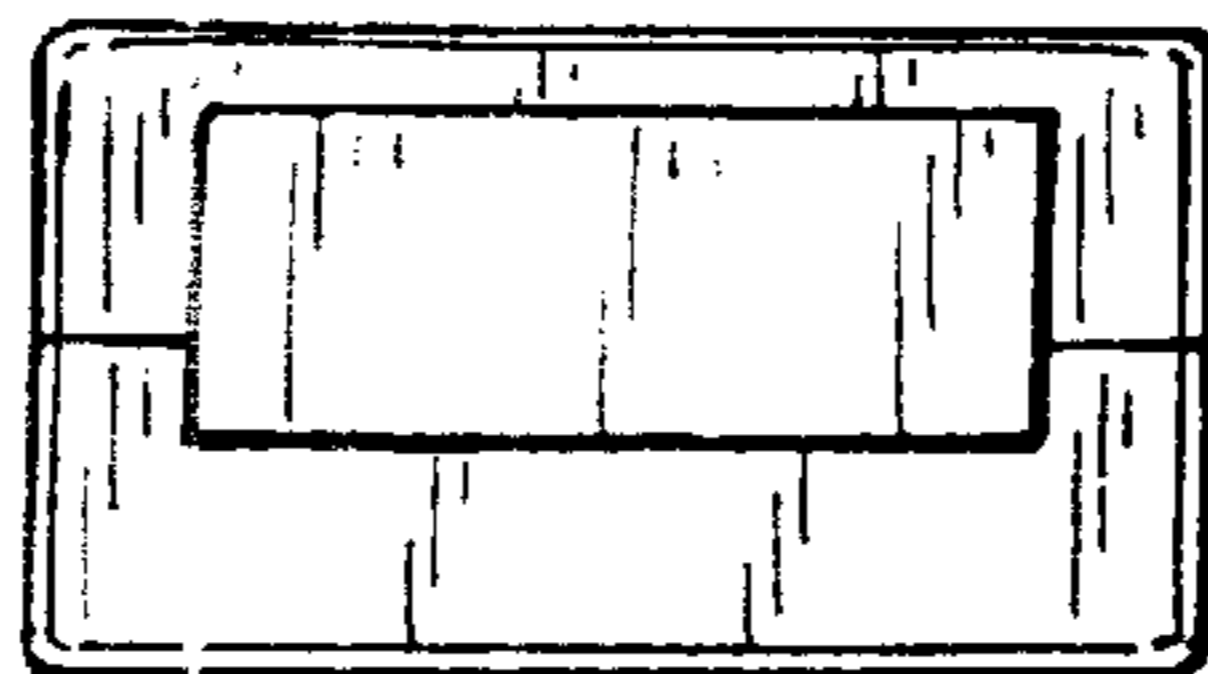


FIG. 7

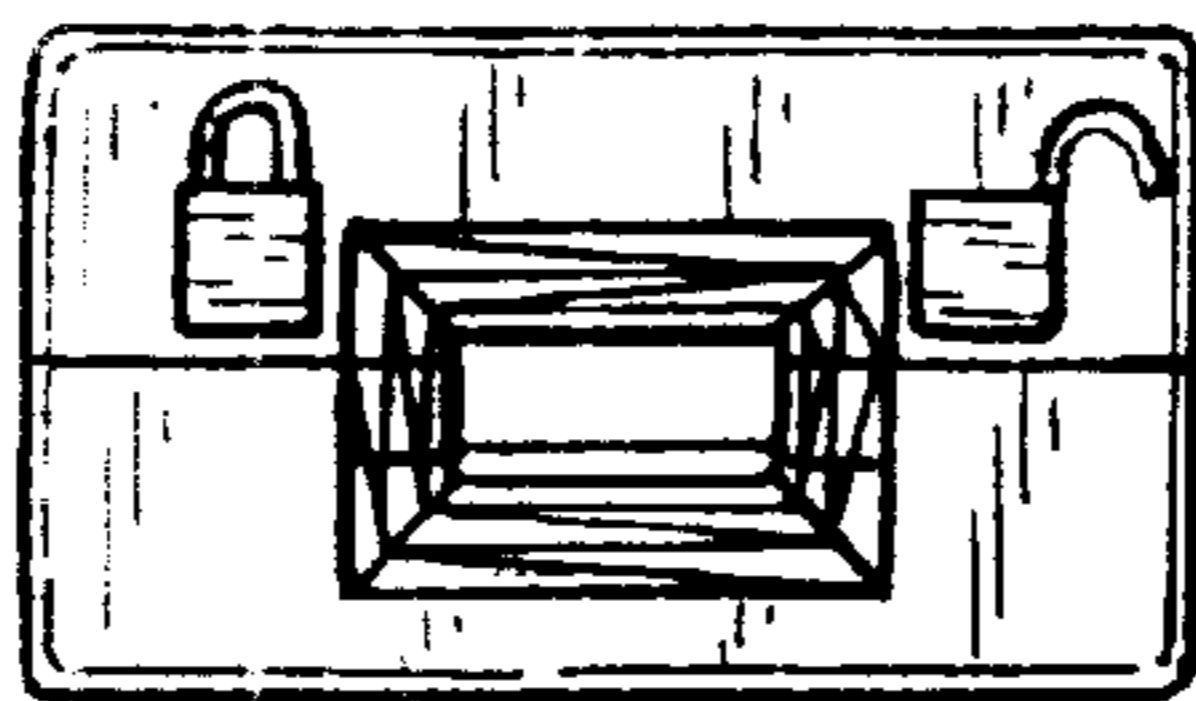


FIG. 8